

CABLINE®-UM

Part No. Plug: 20877-0**T-0#, Receptacle: 20879-0**E-0#

Product Specification

Qualification Test Report No. TR-18067 (Receptacle: 20879-0**E-01)

TR-18088 (Receptacle: 20879-0**E-02)

5	S22338	August 2, 2022	T.Masunaga	-	H.Ikari
4	S22157	April 13, 2022	H.Lu	Y.Shimizu	M.Takemoto
3	S21536	October 26, 2021	T.Masunaga	-	H.Ikari
2	S21130	March 19, 2021	T.Masunaga	-	H.Ikari
Rev.	ECN	Date	Prepared by	Checked by	Approved by

1. Scope

This Product Specification defines the test conditions and the performances of the CABLINE-UM Connector , a wire-to-board connector of 0.4mm contact pitch.

2. Product Name and Parts No.

2.1 Product Name

CABLINE-UM

2.2 Parts No.

Plug: 20877-0**T-0#

Receptacle: 20879-0**E-0#

3. Rating

3.1 Applicable Cable

Micro Coax ···AWG#[44、42、40、38、36]

Discrete ···AWG#[36、34]

3.2 Operating Conditions

Amperage : 0.1A AC/DC [AWG#44] (per contact pin/Up to 40 contacts)
0.24A AC/DC [AWG#42] (per contact pin/Up to 40 contacts)
0.3A AC/DC [AWG#40] (per contact pin/Up to 40 contacts)
0.5A AC/DC [AWG#38] (per contact pin/Up to 19 contacts)
0.8A AC/DC [AWG#36] (per contact pin/Up to 11 contacts)
1.0A AC/DC [AWG#34] (per contact pin/Up to 10 contacts)

Voltage : 100V AC (per contact)

Operating Temperature : 233~378K(-40°C~+105°C)

(Containing temperature rise by current)

Operating Humidity : 85% max

3.3 Storage Conditions

Storage temperature: 248 to 333K(-25°C to 60°C)

Storage humidity: 85% max. (Non-condensing)

4. Test and Performance

Test Condition

Unless otherwise specified, all tests and measurements shall be performed under the following conditions in accordance with MIL-STD-202 G.

Temperature: 288K to 308K(15°C to 35°C)

Pressure: 866hPa to 1066hPa(650mmHg to 800mmHg)

Relative humidity: 45 to75% R.H.

4.1. Electrical Performance

1. Contact resistance

Reference standard: MIL-STD-202G, Method 307

Test conditions: Solder the receptacle connector to the test board and mate the plug connector together, then apply 20mV MAX. DC open circuit voltage and 10mA MAX. DC closed circuit current. Measure the contact resistance of signal and GROUND at the section shown in Fig.1 by the four terminal methods.

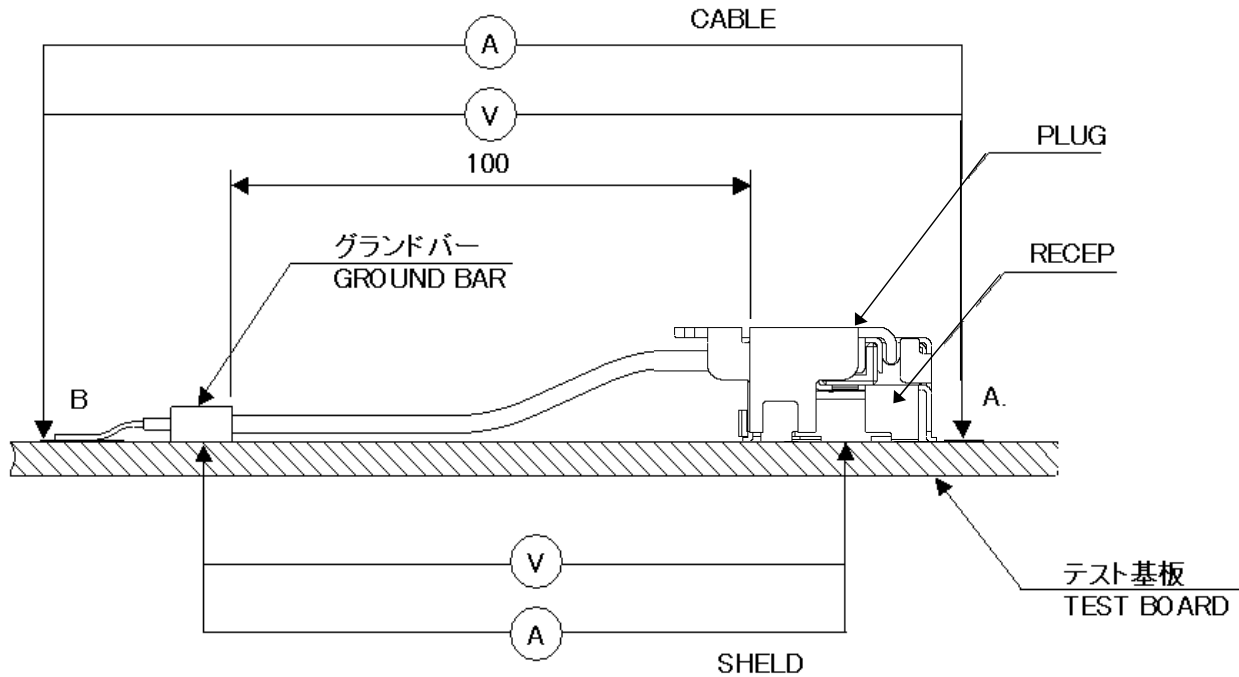


Fig.1

Pass criteria:	<p>Contact</p> <p>Initial : 180 mΩMAX.(AWG#34) 275 mΩMAX.(AWG#36) 360 mΩMAX.(AWG#38) 600 mΩMAX.(AWG#40) 700 mΩMAX.(AWG#42) 1080 mΩMAX.(AWG#44)</p> <p>After testing : ΔR 40mΩ MAX.</p> <p>Ground Shell</p> <p>Initial : 50 mΩ MAX. After testing : ΔR40mΩ MAX.</p>	<p>Initial contains the following conductor resistance of a cable 100mm.</p> <p>100mΩMAX.(AWG#34) 195mΩMAX. (AWG#36) 280mΩMAX. (AWG#38) 520mΩMAX. (AWG#40) 620mΩMAX. (AWG#42) 1000mΩMAX.(AWG#44)</p>
----------------	--	--

2. Insulation resistance

Reference standard: MIL-STD-202 G, Method 302

Test conditions: Mate the plug and receptacle connector together, and then apply DC 250 V between the neighboring contacts and between contacts and SHELL.

Pass criteria: Initial: 1000 MΩ MIN. After testing: 500 MΩ MIN.

4.1. Electrical Performance

3. Dielectric withstanding voltage	
Reference standard:	MIL-STD-202 G, Method 301
Test conditions:	Mate the receptacle and plug connector together, then apply AC 250V(rms) between the neighboring contacts and between contacts and SHELL for a minute.
Pass criteria:	No abnormalities such as creeping discharge, flashover, insulator breakdown occur.

4. Temperature rising	
Reference standard:	-
Test conditions:	Mate the plug and receptacle connector together, and apply rating current per contact pin. Measure delta T over ambient.
Pass criteria:	Over ambient $\Delta T 30\text{ }^{\circ}\text{C MAX.}$

4.2. Mechanical Performance

1. Mating force and Un-mating force	
Reference standard:	-
Test conditions:	Solder the receptacle connector to the test board, then place the board and plug on push-on/pull-off machine, measure of initial and mating/unmating 30 cycles at a speed $25\pm 3\text{mm/min.}$ along the mating axis.
Pass criteria:	<p>Mating force</p> <p>30 P Initial: 34.0 N MAX. 30cycles: 34.0 N MAX.</p> <p>40 P Initial: 40.0 N MAX. 30cycles: 40.0 N MAX.</p> <p>60 P Initial: 52.0 N MAX. 30cycles: 52.0 N MAX.</p> <p>Unmating force</p> <p>30 P Initial: 3.0 N MIN. 30cycles: 3.0 N MIN.</p> <p>40 P Initial: 4.0 N MIN. 30cycles: 4.0 N MIN.</p> <p>60 P Initial: 6.0 N MIN. 30cycles: 6.0 N MIN.</p>

2. Durability	
Reference standard:	-
Test conditions:	Solder the receptacle connector to the test board, then place the board and plug on the push-on/pull-off machine, and repeat mating and unmating 30cycles at a speed $25\pm 3\text{mm/min.}$ along the mating axis.
Pass criteria:	Contact resistance: Shall meet 4.1.1

3. Contact retention force	
Reference standard:	-
Test conditions:	Place the connector on the push-on/pull-off machine, then apply force on the contact head and push the contact along the direction opposite to the contact insertion at a speed of $25\pm 3\text{mm/min.}$ Measure the force when the contact dislodges the connector.
Pass criteria:	Receptacle contact retention force: 0.2N MIN.

4.2. Mechanical Performance

4. Conn. Lock (Applicable Plug Part No.: 20877-0**E-01)	
Reference standard:	-
Test conditions:	Mate, and place them on the push-on/pull-off machine, then apply 10N (1.02kgf) force on the connector along the mating axis.
Pass criteria:	The lock does not damage and cancel.

5. Cable retention force	
Reference standard:	-
Test conditions:	Place the plug connector on the push-on/pull-off machine and then apply force on the cable along the direction at a speed 25±3mm/min. Measure the force when the cable dislodges the plug connector.
Pass criteria:	30P: 14.70 N MIN. 40P: 19.60 N MIN. 60P: 29.40 N MIN.

6. Vibration	
Reference standard:	MIL-STD-202 G, Method 201
Test conditions:	Solder the receptacle connector to the test board, then mate plug connector, and place them on the vibrator. Then apply the following vibration. During the testing, run 100mA DC to check electrical discontinuity. Frequency: 10Hz→55Hz→10Hz/approx. 1min. Directions: 3 mutually perpendicular directions. Total Amplitude: 1.52mm Sweep duration: 2 hours for each direction, a total of 6 hours.
Pass criteria:	Contact resistance: Shall meet 4.1.1. Electrical discontinuity: No electrical discontinuity greater than 1µs shall occur. Appearance: No abnormality adversely affecting the performance shall occur.

7. Shock	
Reference standard:	MIL-STD-202-213, Test condition A.
Test conditions:	Solder the receptacle connector to the test board, then mate plug connector, and place them on the shock machine. Then apply the following shock. MAX.G: 50G Duration: 11msec Wave Form: Half Sinusoidal Directions: 6 mutually perpendicular direction Cycle: 3 cycles each direction
Pass criteria:	Contact resistance: Shall meet 4.1.1. Electrical discontinuity: No electrical discontinuity greater than 1µs shall occur. Appearance: No abnormality adversely affecting the performance shall occur.

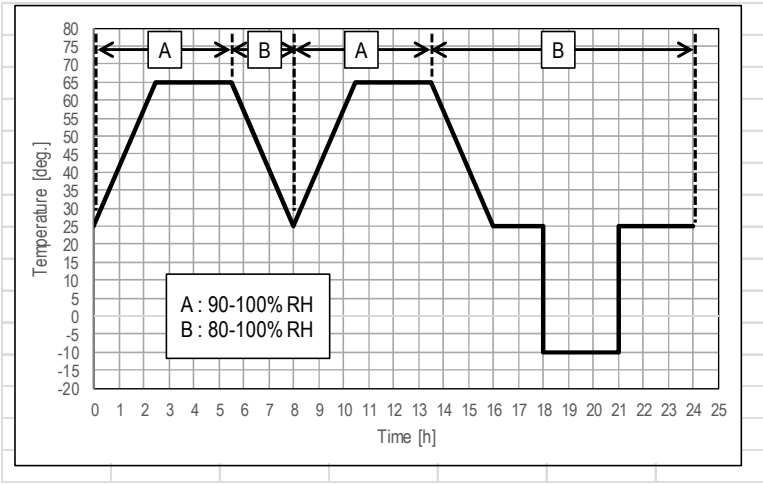
4.3. Environmental Performance

1. Thermal shock	
Reference standard:	-
Test conditions:	Solder the receptacle connector to the test board, then mate plug connector, and expose them to the following environment. Temperature: 218K(-55°C),30min.→378K(105°C),30min. Transition time: 5min. MAX. Cycle: 5 cycles
Pass criteria:	Contact resistance: Shall meet 4.1.1. Insulation resistance: Shall meet 4.1.2. Dielectric withstanding voltage: Shall meet 4.1.3. Appearance: No abnormality adversely affecting the performance shall occur.

2. High temperature life	
Reference standard:	-
Test conditions:	Solder the receptacle connector to the test board, then mate plug connector, and expose them to the following environment. Temperature: 378±2K (105±2°C) Duration: 250 hours
Pass criteria:	Contact resistance: Shall meet 4.1.1. Contact retention force: Shall meet 4.2.3. Appearance: No abnormality adversely affecting the performance shall occur.

3. Humidity (Steady state)	
Reference standard:	MIL-STD-202 G, Method 103, Condition A.
Test conditions:	Solder the receptacle connector to the test board, then mate plug connector, and expose them to the following environment. Temperature: 313±2K (40±2°C) Humidity: 90~95%RH Duration: 240 hours
Pass criteria:	Contact resistance: Shall meet 4.1.1. Insulation resistance: Shall meet 4.1.2. Dielectric withstanding voltage: Shall meet 4.1.3. Appearance: No abnormality adversely affecting the performance shall occur.

4.3. Environmental Performance

4. Humidity (Cycling)	
Reference standard:	MIL-STD-202 G, Method 106.
Test conditions:	Solder the receptacle connector to the test board, then mate plug connector, and expose them to the following environment. Temperature: 298[263]~338K (25[-10]~65°C) Humidity: 90[80]~100%RH Duration: 10cycles (240hours)
	 <p>The graph shows a temperature profile over 25 hours. The y-axis is Temperature [deg.] from -20 to 80. The x-axis is Time [h] from 0 to 25. The profile consists of two cycles labeled A and B. Cycle A (0-8h) shows a ramp up from 25°C to 65°C, a dwell at 65°C, and a ramp down to 25°C. Cycle B (8-14h) shows a dwell at 25°C, a ramp down to -10°C, a dwell at -10°C, and a ramp up to 25°C. A legend indicates: A: 90-100% RH, B: 80-100% RH.</p>
Pass criteria:	Contact resistance: Shall meet 4.1.1. Insulation resistance: Shall meet 4.1.2. Dielectric withstanding voltage: Shall meet 4.1.3. Appearance: No abnormality adversely affecting the performance shall occur.

5. Saltwater spray	
Reference standard:	MIL-STD-202-101, Test condition B.
Test conditions:	Solder the receptacle connector to the test board, then mate plug connector, and expose them to the following environment. Temperature: 308±2K (35±2°C) Saltwater density: 5±1% [by weight] Duration: 48 hours
Pass criteria:	Contact resistance: Shall meet 4.1.1. Appearance: No abnormality adversely affecting the performance shall occur.

6. H ₂ S gas	
Reference standard:	-
Test conditions:	Solder the receptacle connector to the test board, then mate plug connector, and expose them to the following environment. Temperature: 313±2K (40±2°C) Relative humidity: 80±5%RH Gas: H ₂ S 3±1ppm Duration: 48 hours
Pass criteria:	Contact resistance: Shall meet 4.1.1. Appearance: No abnormality adversely affecting the performance shall occur.

4.4. Others

1. Solderability	
Reference standard:	-
Test conditions:	Immerse the contact soldering part to flux of RMA or R type for 5 to 10 seconds, then dip the part into the solder bath of 518±5K (245±5°C) for 5±0.5seconds.
Pass criteria:	More than 95% of the dipped surface shall be evenly wet.

2. Resistance to soldering heat	
Reference standard:	-
Test conditions:	Reflow temperature: See Fig.2. Cycle: 2
<p>IRリフロー条件 (IR Reflow Condition)</p> <ul style="list-style-type: none"> リフロー部 (Reflow Part) ピーク (Peak): 260°C 255°C: 30s 217°C: 60~150s 予熱部 (Pre-heat part) 150~200°C: 60~120s <p>3°C/s MAX</p> <p>6°C/s MAX</p> <p>260°C MAX.</p> <p>255°C (30s)</p> <p>217°C (60~150s)</p> <p>200°C</p> <p>150°C</p> <p>25°C</p> <p>60~120s</p> <p>Time 25°C to Peak 8minutes. MAX.</p> <p>Time</p> <p>Temperature</p>	
Pass criteria:	No deformation nor defect adversely affecting the performance occur.

Fig.2

4.5 Test Sequence and Specimen Quantity

Table.1 Test Sequence and Sample Quantity

Test Item	Group												
	A	B	C	D	E	F	G	H	I	J	K	L	M
Contact Resistance	2,6			1,3,5	1,5	1,3	1,5	1,5,7	1,3	1,3			
Insulation Resistance					2,6		2,6	2,8					
D. W. Voltage					3,7		3,7	3,9					
Temperature rising													1
Mating Force	1,5												
Un-mating Force	3,7												
Durability	4							4 (10cycles)					
Contact Retention Force		1,3											
Conn.Lock			1										
Cable Retention Force	8												
Vibration				2									
Shock				4									
Thermal Shock					4								
High Temperature Life		2				2							
Humidity (Steady State)							4						
Humidity (Cycling)								6					
Salt Water Spray									2				
H2S Gas										2			
Solder ability											1		
Soldering Heat Resistance												1	
Specimen Quantity.	5 pcs.	20 pos.	5 pcs.	5 pcs.	5 pcs.	5 pcs.	5 pcs.	5 pcs.	5 pcs.	5 pcs.	10 pcs.	10 pcs.	5 pcs.

※Numbers indicate test sequences.

5. Recommended Metal Mask

Recommended thickness of METAL MASK : t=0.10 (Receptacle: 20879-0**E-01)
t=0.12 (Receptacle: 20879-0**E-02)

Refer to drawing for the recommended metal mask opening dimension.

6. Precautions for Handling Cable Connectors

Refer to instruction manual : HIM-18033 for the handling of CABLINE-UM.