

# MINIDOCK™ Standard Type Plug All Long Pin Offset Type

Part No. 30094

## Packing Standard

3	S24123	June 5, 2024	Y. Kawano	Y. Baba	S. Suzuki
2	S09238	October 19, 2019	K. Mitsuno	K. Narita	T. Harada
1	S05215	February 6, 2006	J. Ohsaka		E. Kawabe
0	S1050	October 29, 2001	A. Hino	E. Kawabe	K. Katabuchi
Rev.	ECN	Date	Prepared by	Checked by	Approved by

## 1. Product Name(s) and Part Number(s)

Product Name	Part Numbers
MINIDOCK Standard Type Plug All Long Pin Offset Type	30094-200T-F 30094-200T-01F
Cross Recessed Head Machine Screw	90023-001
Note: Connectors with screw only	

## 2. Packing Material and Part Number

### 2.1 Connector

Pos	Outer Dimension	Tray			Shipping Carton	Packing Carton
		Width	Depth	Number of Pockets	Outer Dimension W×D×H	Outer Dimension W×D×H
200 P	360×165	10.4	18.75	21	385×175×90	406×406×214

### 2.2 Screw

Plastic Bag

Outer Dimension

W×H

190 x 120 (reference)

## 3. Packing Quantity

### 3.1 Connector

Pos.	Quantity per Tray	Quantity per Packing Carton
200 P	21	21 pockets × 4 trays per shipping carton × 4 shipping cartons = 336 connectors per packing carton

### 3.2 Screw

Pos.	Number of Screws per Connector	Number of Screws per Packing Carton
200 P	4 screws	4 screws × 336 connectors = 1,344 screws per bag

4. Label

P/N	①	CHECK	⑧ 托盘 06 PS
QTY	②	⑥	
LOT	③	REMARK	⑨
QR Code	NAME: ④ MADE IN ***** ← ⑦	RoHS Compliant	
⑩			

- ① Part Number
- ② Quantity
- ③ Ten Digits Product Lot Number

Y	Y	M	M	D	D	#	#	#	#
Year		Month		Day		Four Digit Code for I-PEX usage			

- ④ Product Name
- ⑤ QR Code
- ⑥ Check Stamp
- ⑦ Country of Origin
- ⑧ Recycle Mark and Compliance Mark
- ⑨ Logo Mark
- ⑩ Manufacture Name

5. Packing Method

5.1 Packing of Tray

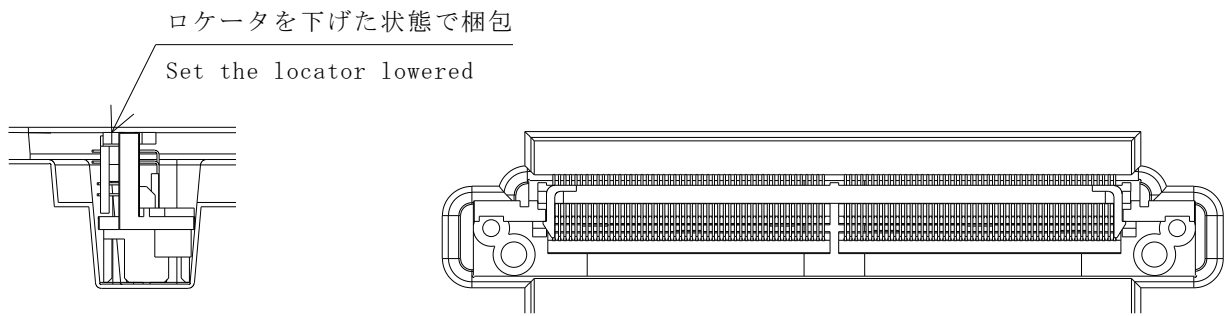


Fig. 1 Connector Orientation Inside the Pocket

5.2 Packing of Shipping Carton

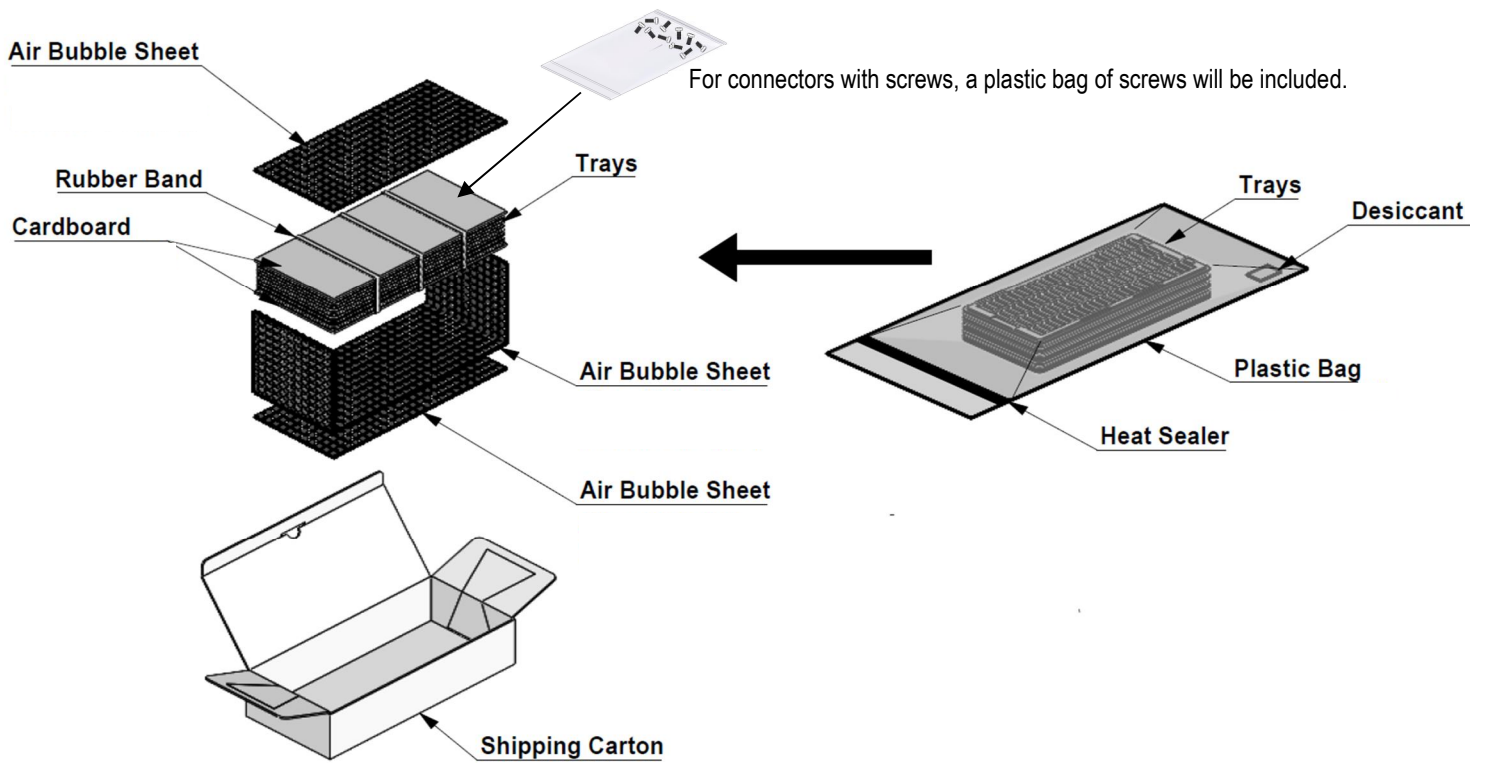


Fig. 2 Packing of Shipping Carton

5.3 Packing of Packing Carton

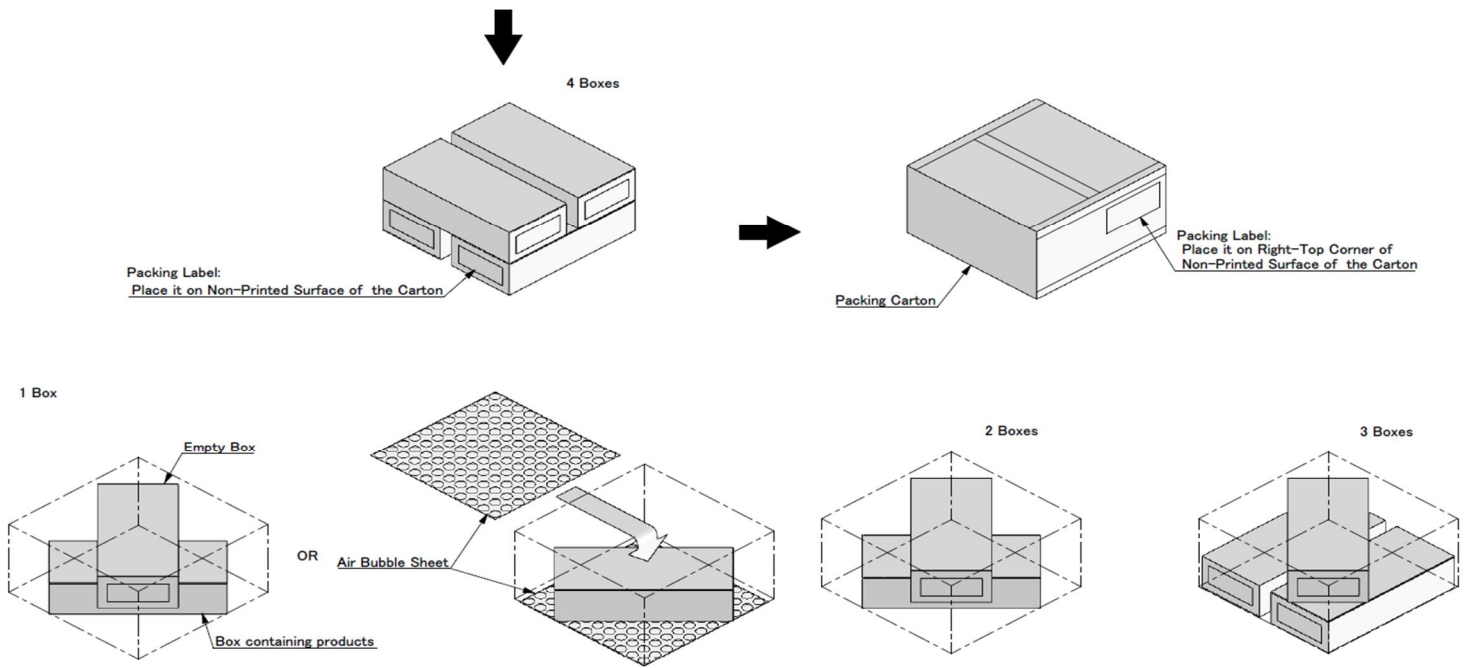


Fig. 3 Packing of Packing Carton