

MHF[®] series cable ass'y for O.D.φ1.32, 1.37mm

Packing Standard

10	S22283	June 24, 2022	N. Miyashiro	K. Ikeshita	Y. Hashimoto
9	S21677	December 16, 2021	N. Miyashiro	K. Ikeshita	M. Takemoto
8	S21080	February 23, 2021	Y. Shiozawa	K. Ikeshita	M. Takemoto
7	S20459	August 31, 2020	Y. Shiozawa	K. Ikeshita	M. Takemoto
Rev.	ECN	Date	Prepared by	Checked by	Approved by

1 Product Parts Number

Product Name	Part Number
Refer to Table 1	8***** 8-***** 8-*****

Table 1 Notation system of Product Name

MHF○-○ CABLE△△△-□+★CMP-※-◎	<div style="border: 1px solid black; padding: 5px;"> CMP: Cable clamp STP: Strip </div>
MHF○-○ CABLE△△△-□+★STP-◎	
○ ... write in I,II,III,4,II + III etc (Style of connector)	
△△△... write in 081,132,137, etc (Style of cable diameter)	
□ ... write in 1,2,3, etc (Direction of connector)	
★ ... write in 1,2,3, etc (QTY of cable clamp or strip)	
※ ... write in "A" or "B"(Type of width of cable clamp)	
→A : Cable clamp of width of 3mm B : Cable clamp of width of 6mm	
◎ ... write in "H" or noting is written ("H" is Non Halogen)	

2. Packing Material

Plastic Bag	Shipping Carton	Packing Carton
Outer Dimension	Outer Dimension	Outer Dimension
W×D×H	W×D×H	W×D×H
—	175×385×90	406 x 406 x 214


3. Packing Quantity

※For O.D. φ1.32, 1.37mm

Cable length L [mm]	Pieces per Plastic Bag	Pieces per Shipping Carton	Quantity Per Packing Carton
L ≤ 50	100	3,000	12,000
50 < L ≤ 100	100	2,000	8,000
100 < L ≤ 200	100	1,000	4,000
200 < L ≤ 300	100	800	3,200
300 < L ≤ 400	50	500	2,000
400 < L ≤ 500	50	450	1,800
500 < L ≤ 600	50	350	1,400
600 < L ≤ 800	50	250	1,000
800 < L ≤ 999	50	200	800
999 < L ≤ 3000	50	50	200

4. Label

4.1 Put a label on the designated place of S CARTON and P CARTON.

P/N	①	CHECK	⑧
QTY	②	⑥	
LOT	③		
 ⑤	NAME:	REMARK	⑩
	④ MADE IN ***** ← ⑦ ⑨		

RoHS Compliant

HF

- ① Part Number
- ② Quantity
- ③ Ten Digits Product Lot Number

Y	Y	M	M	D	D	#	#	#	#
Year		Month		Day		Four Digit Code for I-PEX usage			

- ④ Product Name
- ⑤ QR Code
- ⑥ Check Stamp
- ⑦ Country of Origin
- ⑧ Compliance Mark
- ⑨ Logo Mark
- ⑩ Manufacture Name

5. Packing style

	Cable length L[mm]	1 pack	1 shipping carton & 1 packing carton
Type-1,2,3,4,5	$L \leq 300$	Fig.1 or Fig.2	Fig.9,10,11,12,13,14
	$300 < L \leq 999$	Fig.5	
	$999 < L \leq 3000$	Fig.6	
Type-6	$L \leq 40$	Fig.3	
	$40 < L \leq 300$	Fig.4	
	$300 < L \leq 999$	Fig.7	
	$999 < L \leq 3000$	Fig.8	

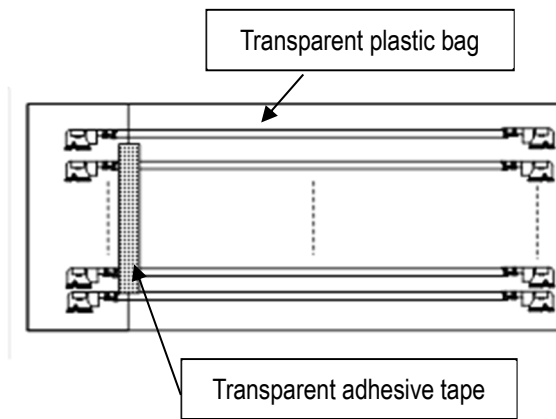


Fig. 1

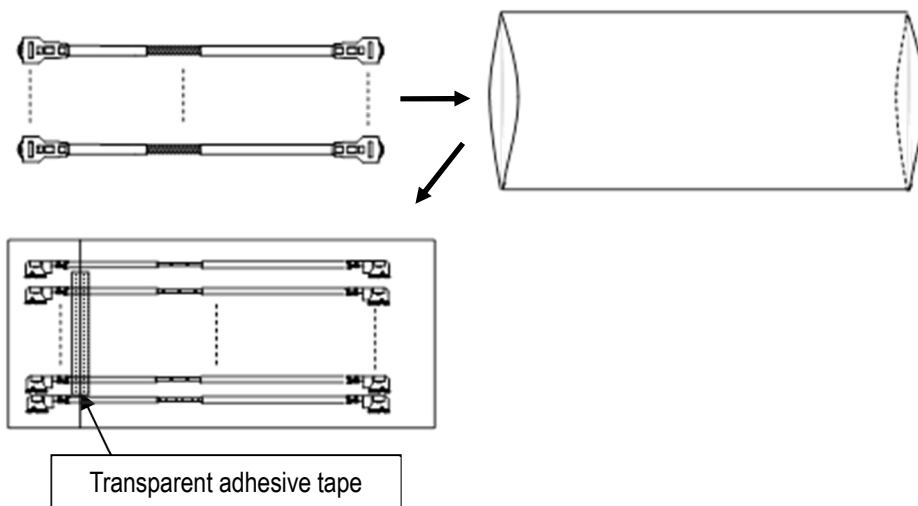


Fig. 2

Type-6 $L \leq 40\text{mm}$

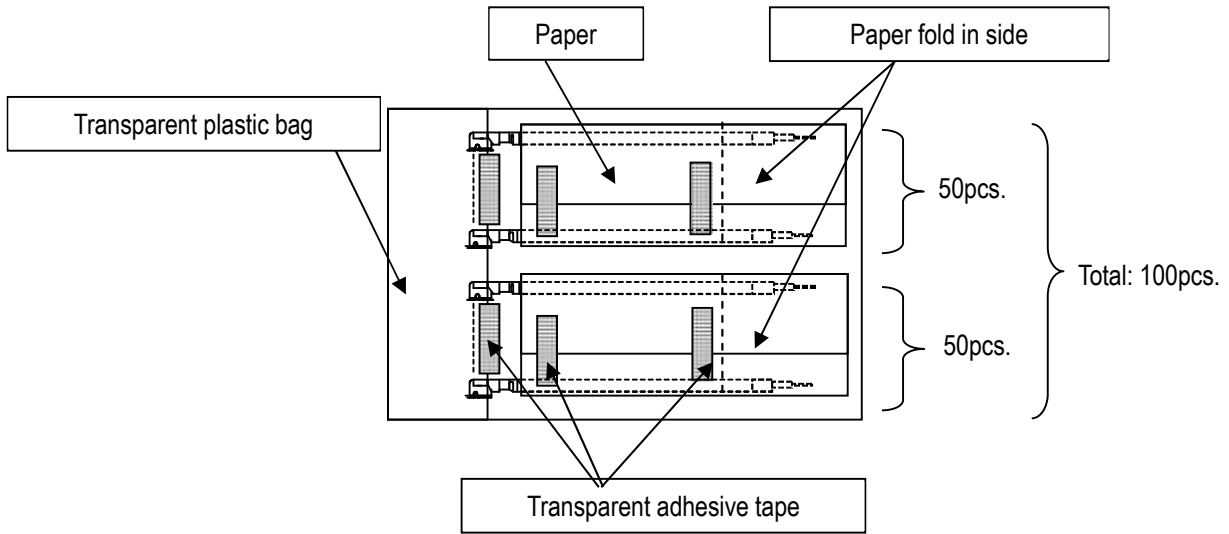


Fig. 3

Type-6 $40\text{mm} < L \leq 300\text{mm}$

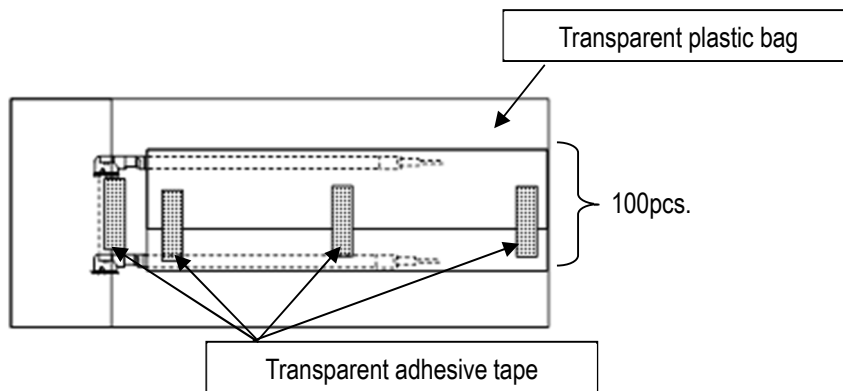


Fig. 4

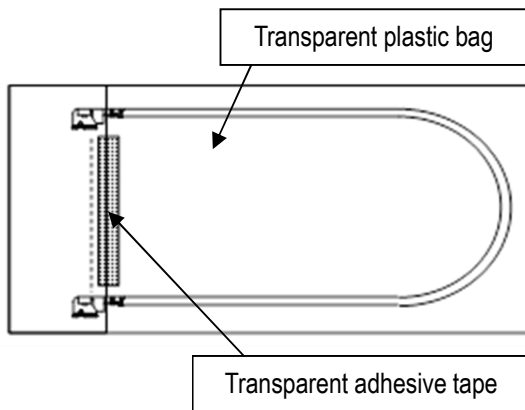


Fig. 5

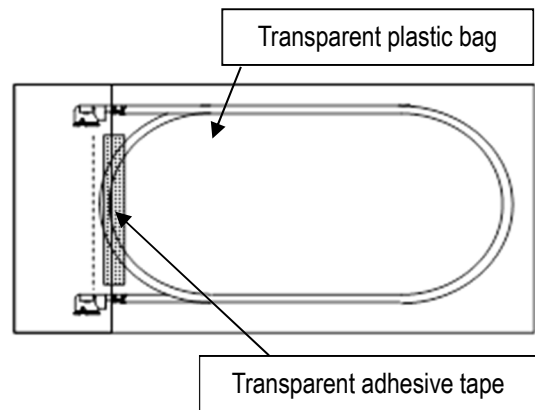


Fig. 6

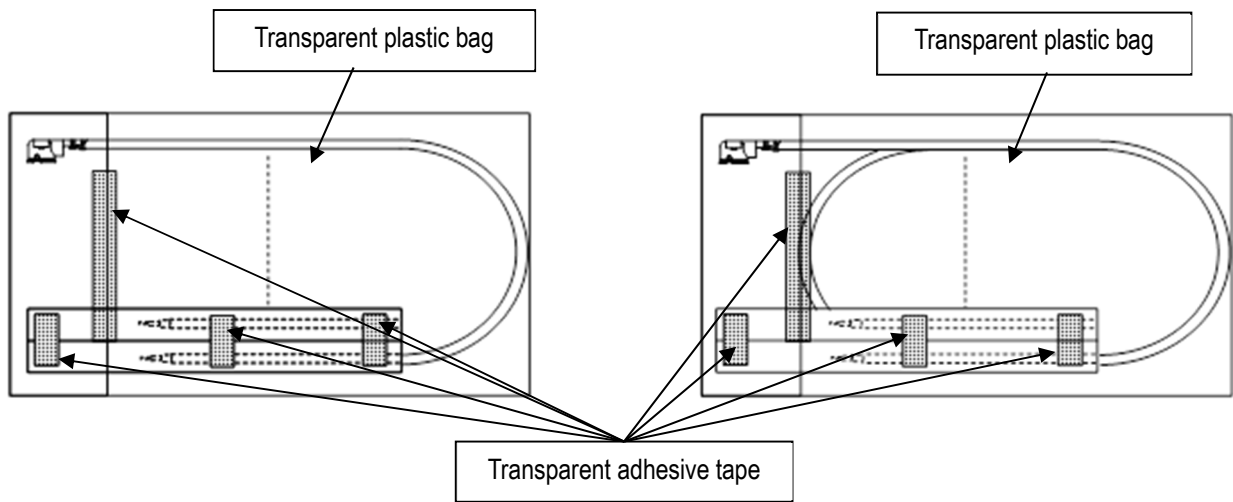


Fig. 7

Fig. 8

6. Packing Method

6-1 Packing method to the shipping carton of product

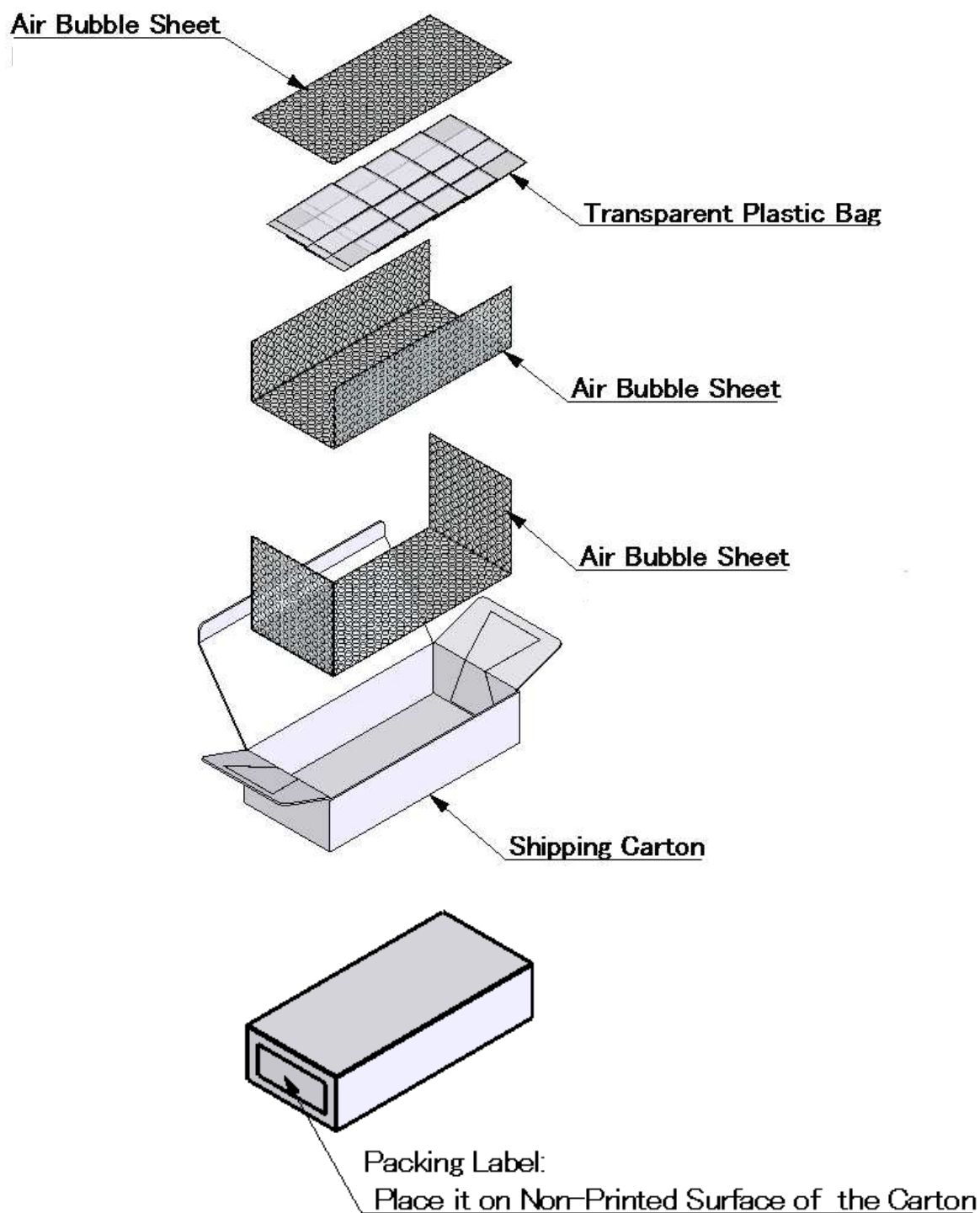


Fig. 9

6-2.Packing method to Packing carton of Shipping carton

①At one shipping carton

(Quantity : A[pcs.])

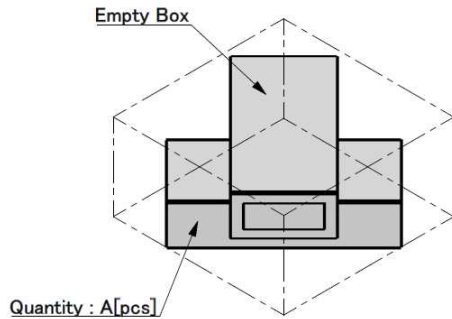


Fig. 10

②At two shipping carton

(Quantity : B[pcs.])

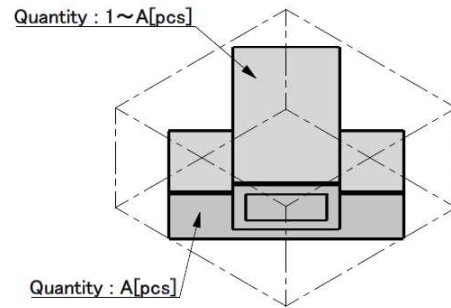


Fig. 11

③At three shipping carton

(Quantity : C[pcs.])

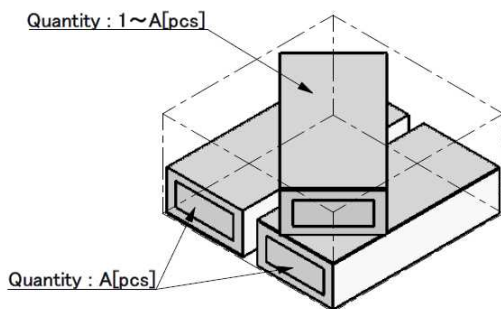


Fig. 12

④At four shipping carton

(Quantity : D[pcs.])

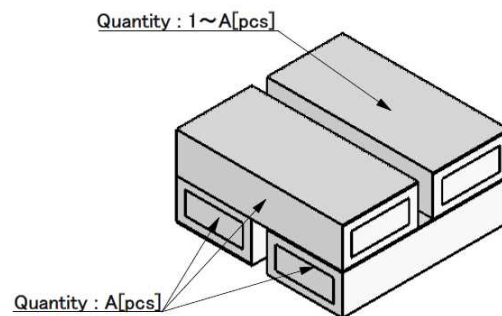


Fig. 13

※For O.D.φ1.32mm, 1.37mm

Quantity Cable length L[mm]	A	B	C	D
$L \leq 50$	3,000[pcs]	3,001~6,000[Pcs.]	6,001~9,000[Pcs.]	9,001~12,000[Pcs.]
$50 < L \leq 100$	2,000[pcs]	2,001~4,000[Pcs.]	4,001~6,000[Pcs.]	6,001~8,000[Pcs.]
$100 < L \leq 200$	1,000[pcs]	1,001~2,000[Pcs.]	2,001~3,000[Pcs.]	3,001~4,000[Pcs.]
$200 < L \leq 300$	800[pcs]	801~1,600[Pcs.]	1,601~2,400[Pcs.]	2,401~3,600[Pcs.]
$300 < L \leq 400$	500[pcs]	501~1,000[Pcs.]	1,001~1,500[Pcs.]	1,501~2,000[Pcs.]
$400 < L \leq 500$	450[pcs]	451~900[Pcs.]	901~1,350[Pcs.]	1,351~1,800[Pcs.]
$500 < L \leq 600$	350[pcs]	351~700 [Pcs.]	701~1,050[Pcs.]	1,051~1,400[Pcs.]
$600 < L \leq 800$	250[pcs]	251~500[Pcs.]	501~750[Pcs.]	751~1,000[Pcs.]
$800 < L \leq 999$	200[pcs]	201~400[Pcs.]	401~600[Pcs.]	601~800[Pcs.]
$999 < L \leq 3000$	50[pcs]	51~100[Pcs.]	101~150[Pcs.]	151~200[Pcs.]

6-3.Packing method of Packing carton

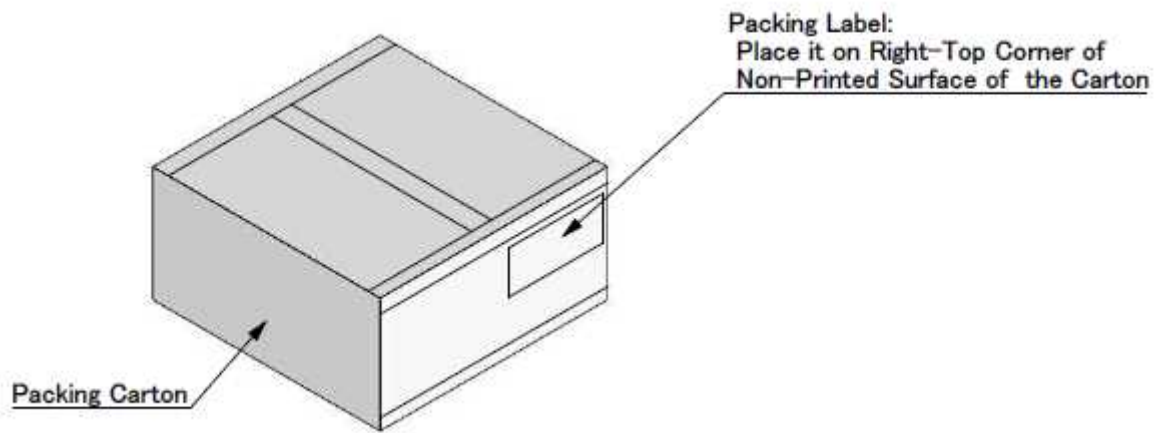


Fig. 14