

MHF[®] series cable ass'y

O.D.φ1.13mm

Packing Standard

14	S22276	June 23, 2022	N. Miyashiro	K. Ikeshita	Y. Hashimoto
13	S22240	June 9, 2022	K. Ikeshita	K. Yufu	Y. Hashimoto
12	S22131	March 24, 2022	N. Miyashiro	K. Ikeshita	Y. Hashimoto
11	S21039	January 29, 2021	S.Taguchi		M. Takemoto
Rev.	ECN	Date	Prepared by	Checked by	Approved by

1 Product Parts Number

Product Name	Part Number
Refer to Table 1	8***** 8-***** 8-*****

Table 1 Notation system of Product Name

MHF○-○ CABLE△△△-□+★CMP-※-◎	CMP: Cable clamp STP: Strip
MHF○-○ CABLE△△△-□+★STP-◎	
○ ... write in I,II,III,4,II + III etc (Style of connector)	
△△△... write in 081,132,137, etc (Style of cable diameter)	
□ ... write in 1,2,3, etc (Direction of connector)	
★ ... write in 1,2,3, etc (QTY of cable clamp or strip)	
※ ... write in "A" or "B"(Type of width of cable clamp)	
→A : Cable clamp of width of 3mm B : Cable clamp of width of 6mm	
◎ ... write in "H" or noting is written ("H" is Non Halogen)	

2. Packing Material

Plastic Bag	Shipping Carton	Packing Carton
Outer Dimension	Outer Dimension	Outer Dimension
W×D×H	W×D×H	W×D×H
—	175×385×90	406 x 406 x 214

3. Packing Quantity

※For O.D. φ1.13mm

Cable length L [mm]	Pieces per Plastic Bag	Pieces per Shipping Carton	Quantity Per Packing Carton
L ≤ 50	100	5,000	20,000
50 < L ≤ 100	100	3,000	12,000
100 < L ≤ 200	100	2,500	10,000
200 < L ≤ 300	100	1,400	5,600
300 < L ≤ 400	50	1,100	4,400
400 < L ≤ 500	50	900	3,600
500 < L ≤ 600	50	750	3,000
600 < L ≤ 800	50	550	2,200
800 < L ≤ 999	50	450	1,800
999 < L ≤ 3000	50	150	600

※For O.D.φ1.13mm with Lock

Cable length L [mm]	Pieces per Plastic Bag	Pieces per Shipping Carton	Quantity Per Packing Carton
$L \leq 50$	100	5,000	20,000
$50 < L \leq 100$	100	3,000	12,000
$100 < L \leq 200$	100	2,500	10,000
$200 < L \leq 300$	100	1,400	5,600
$300 < L \leq 400$	50	1,100	4,400
$400 < L \leq 500$	50	750	3,000
$500 < L \leq 600$	50	600	2,400
$600 < L \leq 800$	50	500	2,000
$800 < L \leq 999$	25	300	1,200
$999 < L \leq 3000$	25	150	600

4. Label

4.1 Put a label on the designated place of S CARTON and P CARTON.

The diagram shows a rectangular label with the following layout:

- Top Left:** Fields for P/N, QTY, and LOT.
- Top Middle:** A large empty space for handwritten information, with callouts 1, 2, and 3.
- Top Right:** A 'CHECK' stamp area with callout 6.
- Bottom Left:** A QR code with callout 5.
- Bottom Middle:** Fields for 'NAME:' (callout 4) and 'REMARK'.
- Bottom Center:** A 'RoHS Compliant' logo (callout 8) and 'MADE IN *****' (callout 7).
- Bottom Right:** A 'HF' logo (callout 9).
- Bottom Left Corner:** A small circular logo with callout 10.

- ① Part Number
- ② Quantity
- ③ Ten Digits Product Lot Number

Y	Y	M	M	D	D	#	#	#	#
Year		Month		Day		Four Digit Code for I-PEX usage			

- ④ Product Name
- ⑤ QR Code
- ⑥ Check Stamp
- ⑦ Country of Origin
- ⑧ Compliance Mark
- ⑨ Logo Mark
- ⑩ Manufacture Name

5. Packing style

	Cable length L[mm]	1 pack	1 shipping carton & 1 packing carton
Type-1,2,3,4,5	$L \leq 300$	Fig.1 or Fig.2	Fig.8,9,10,11,12,13
	$300 < L \leq 500$	Fig.4	
	$500 < L \leq 3000$	Fig.5	
Type-6	$L \leq 300$	Fig.3	
	$300 < L \leq 500$	Fig.6	
	$500 < L \leq 3000$	Fig.7	

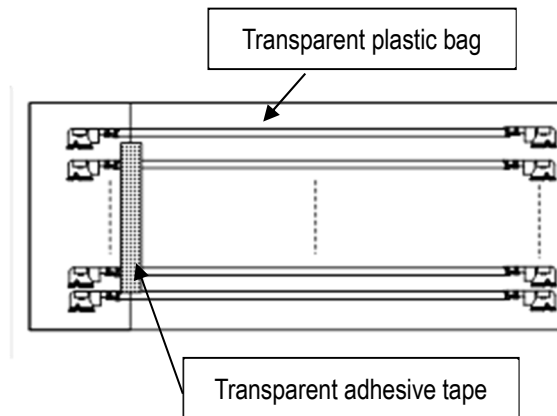


Fig. 1

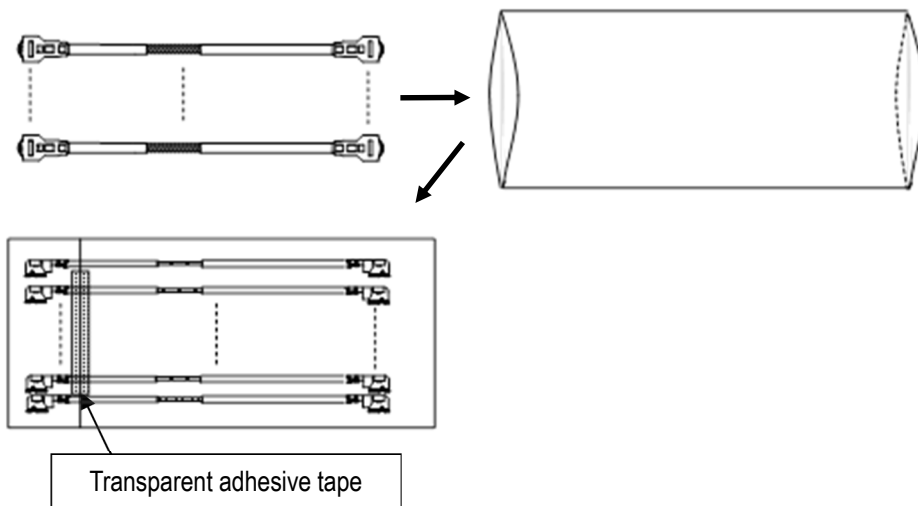


Fig. 2

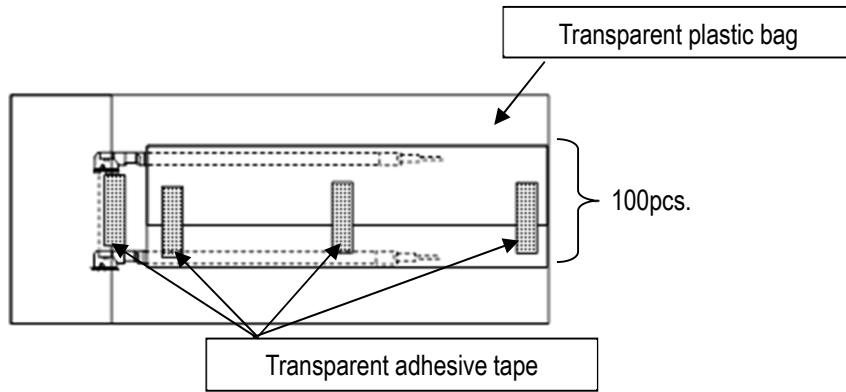


Fig. 3

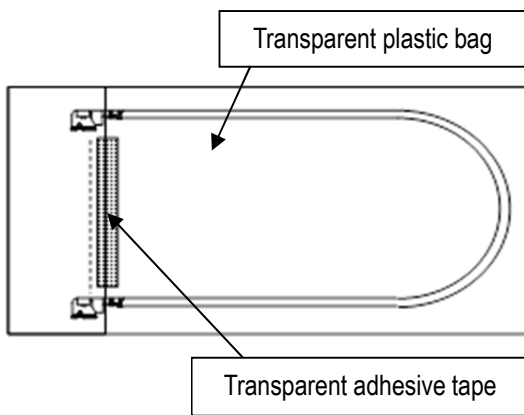


Fig. 4

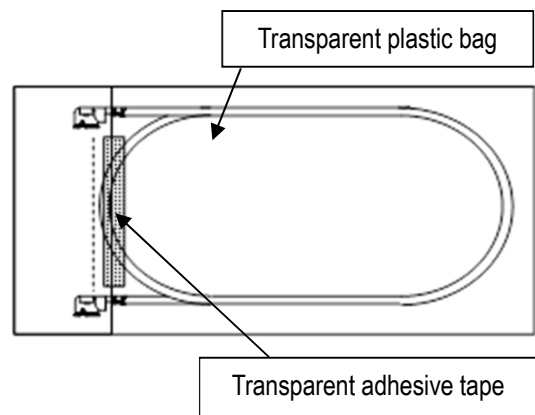


Fig. 5

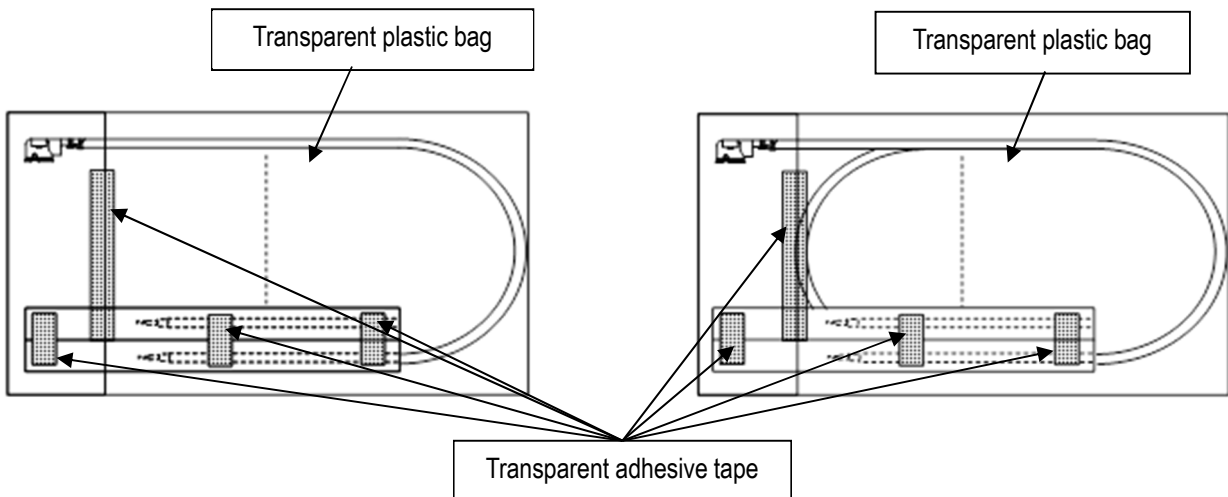


Fig. 6

Fig. 7

6. Packing Method

6-1 Packing method to the shipping carton of product

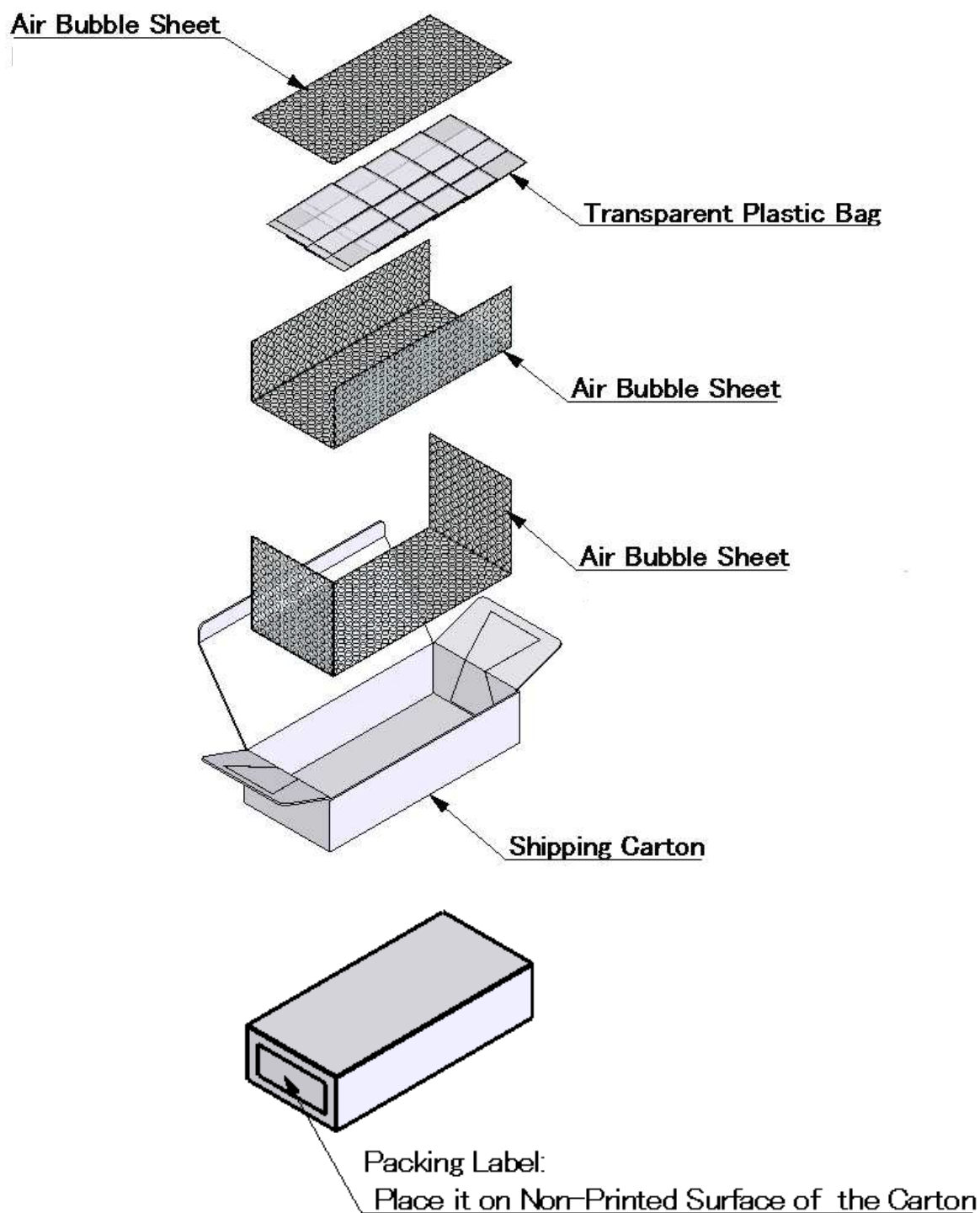


Fig. 8

6-2.Packing method to Packing carton of Shipping carton

①At one shipping carton

(Quantity : A[pcs.])

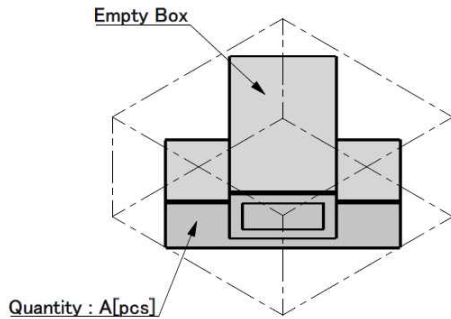


Fig. 9

②At two shipping carton

(Quantity : B[pcs.])

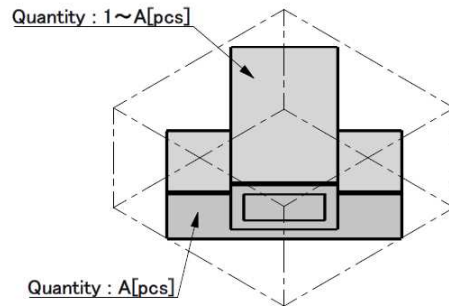


Fig. 10

③At three shipping carton

(Quantity : C[pcs.])

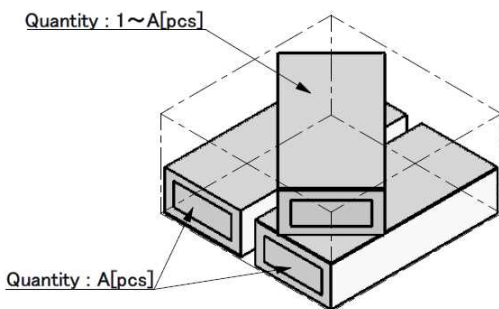


Fig. 11

④At four shipping carton

(Quantity : D[pcs.])

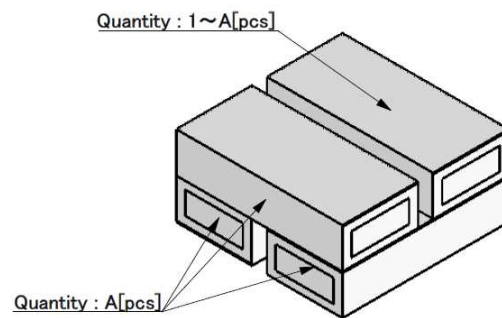


Fig. 12

※For O.D.φ1.13mm

Quantity Cable length L[mm]	A	B	C	D
$L \leq 50$	5,000[Pcs.]	5,001~10,000[Pcs.]	10,001~15,000[Pcs.]	15,001~20,000[Pcs.]
$50 < L \leq 100$	3,000[Pcs.]	3,001~6,000[Pcs.]	6,001~9,000[Pcs.]	9,001~12,000[Pcs.]
$100 < L \leq 200$	2,500[Pcs.]	2,501~5,000[Pcs.]	5,001~7,500[Pcs.]	7,501~10,000[Pcs.]
$200 < L \leq 300$	1,400[Pcs.]	1,401~2,800[Pcs.]	2,801~4,200[Pcs.]	4,201~5,600[Pcs.]
$300 < L \leq 400$	1,100[Pcs.]	1,101~2,200[Pcs.]	2,201~3,300[Pcs.]	3,301~4,400[Pcs.]
$400 < L \leq 500$	900[Pcs.]	901~1,800[Pcs.]	1,801~2,700[Pcs.]	2,701~3,600[Pcs.]
$500 < L \leq 600$	750[Pcs.]	751~1,500 [Pcs.]	1,501~2,250[Pcs.]	2,251~3,000[Pcs.]
$600 < L \leq 800$	550[Pcs.]	551~1,100[Pcs.]	1,101~1,650[Pcs.]	1,651~2,200[Pcs.]
$800 < L \leq 999$	450[Pcs.]	451~900[Pcs.]	901~1,350[Pcs.]	1,351~1,800[Pcs.]
$999 < L \leq 3000$	150[Pcs.]	151~300[Pcs.]	301~450[Pcs.]	451~600[Pcs.]

※For O.D.φ1.13mm with Lock

Quantity Cable length L[mm]	A	B	C	D
$L \leq 50$	5,000[Pcs.]	5,001~10,000[Pcs.]	10,001~15,000[Pcs.]	15,001~20,000[Pcs.]
$50 < L \leq 100$	3,000[Pcs.]	3,001~6,000[Pcs.]	6,001~9,000[Pcs.]	9,001~12,000[Pcs.]
$100 < L \leq 200$	2,500[Pcs.]	2,501~5,000[Pcs.]	5,001~7,500[Pcs.]	7,501~10,000[Pcs.]
$200 < L \leq 300$	1,400[Pcs.]	1,401~2,800[Pcs.]	2,801~4,200[Pcs.]	4,201~5,600[Pcs.]
$300 < L \leq 400$	1,100[Pcs.]	1,101~2,200[Pcs.]	2,201~3,300[Pcs.]	3,301~4,400[Pcs.]
$400 < L \leq 500$	750[Pcs.]	751~1,500 [Pcs.]	1,501~2,250[Pcs.]	2,251~3,000[Pcs.]
$500 < L \leq 600$	600[Pcs.]	601~1,200 [Pcs.]	1,201~1,800[Pcs.]	1,801~2,400[Pcs.]
$600 < L \leq 800$	500[Pcs.]	501~1,000[Pcs.]	1,001~1,500[Pcs.]	1,501~2,000[Pcs.]
$800 < L \leq 999$	300[Pcs.]	301~600[Pcs.]	601~900[Pcs.]	901~1,200[Pcs.]
$999 < L \leq 3000$	150[Pcs.]	151~300[Pcs.]	301~450[Pcs.]	451~600[Pcs.]

6-3.Packing method of Packing carton

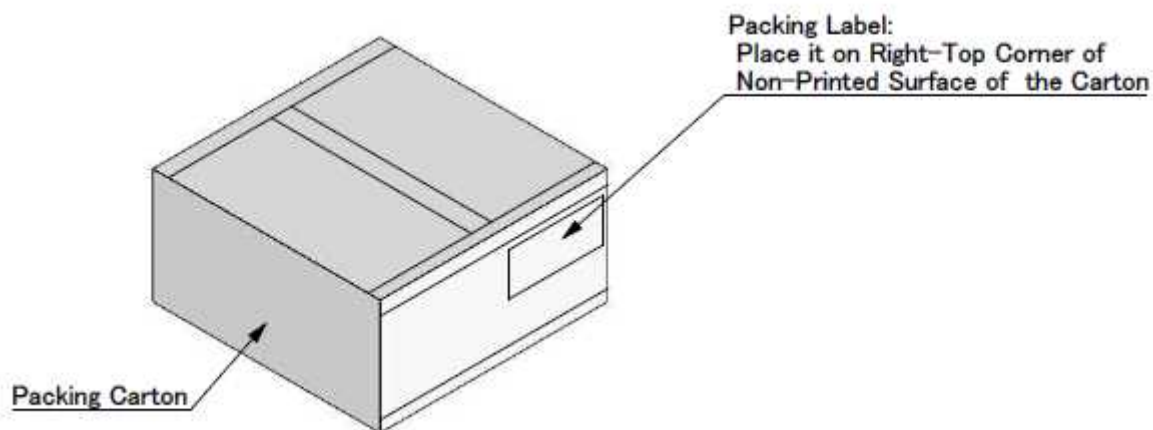


Fig. 13