

MHF[®] III PLUG

Part No. 20367-00*R, 20609-00*R

Packing Standard

5	S23440	December 7, 2023	Y. Kuribayashi	K. Yufu	Y. Hashimoto
4	S18162	March 7, 2018	M. Nomoto	S. Taguchi	K. Yotsutani
3	S15440	September 23, 2015	T. Yayoshi	K. Yotsutani	T. Takano
2	S12453	October 11, 2012	H. Minegishi	K. Yotsutani	T. Takano
Rev.	ECN	Date	Prepared by	Checked by	Approved by

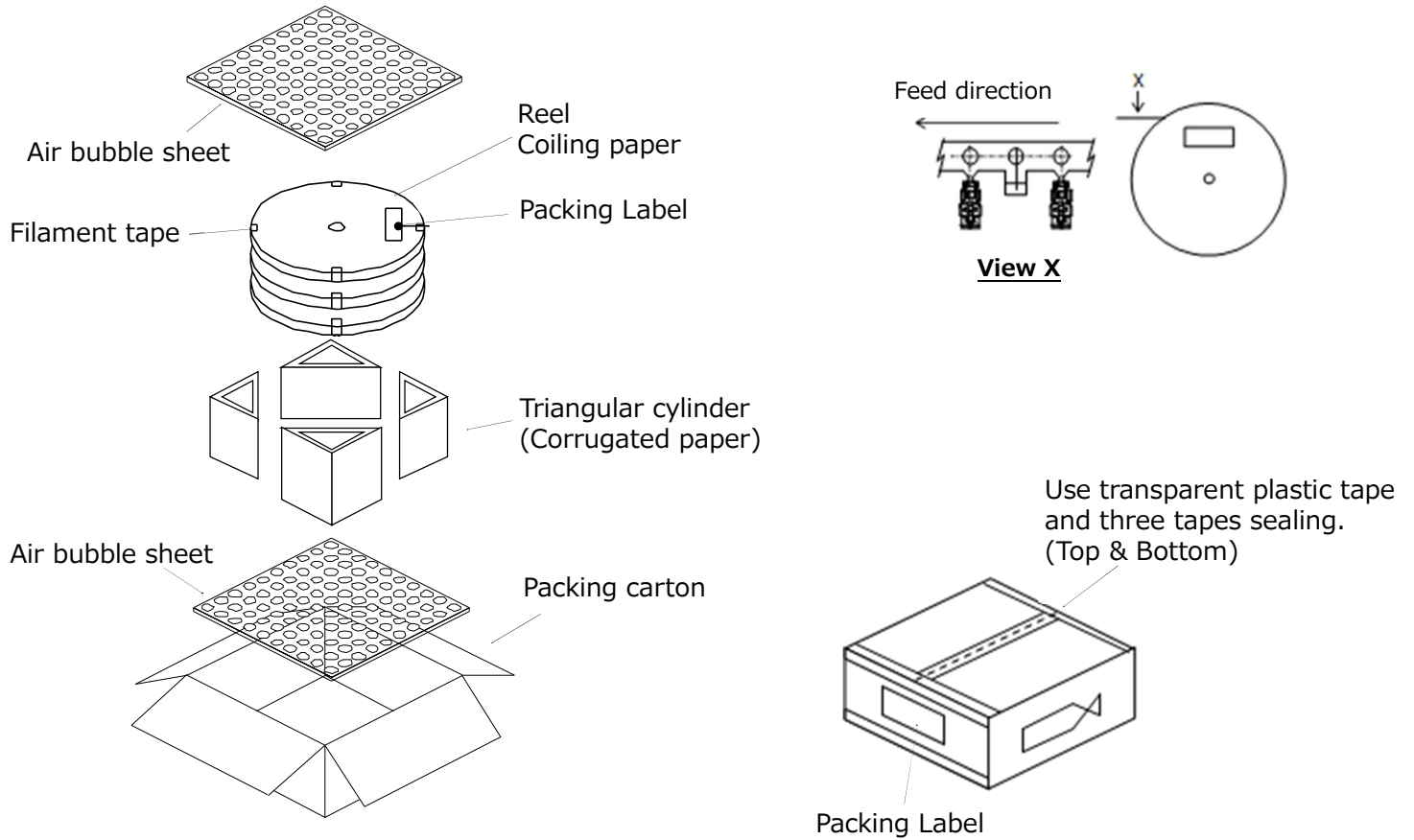
1. Product Name : MHF III PLUG

Product Part Number : 20367-00*R, 20609-00*R

2. Packing Quantity

10,000pcs. /packing carton (5 reels/packing carton, 2,000 pcs. /reel)

3. Packing Style

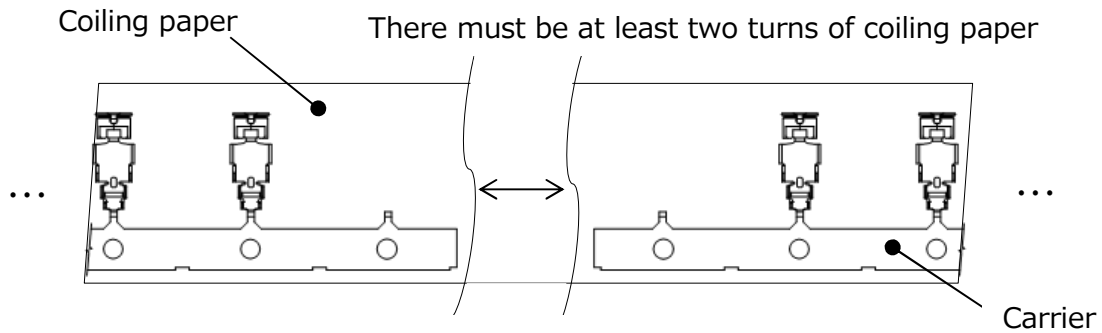


(Fig. 1) Packing style

[Note]

(1) Lack of contact : no limit

Connection of carrier: 1 connection MAX./ reel



(Fig. 2) Connection of carrier

To write the label "ONE CONNECTION", when we connect the carrier.

If there is connection of carrier, each carrier should have a minimum of twenty connectors.

There must be at least two turns of coiling paper between the first and the second carrier.

(2) To roll the coiling paper three times or over extra.

To put the end of the coiling paper with the cellophane tape.

(3) To put reels without connectors when the packing quantity per 1 packing carton does not fill 5 reels.

4. Packing Label

P/N QTY LOT	① ② ③	CHECK ⑥	⑧ 捆包卷盘 06 PS 料带封带
⑤ 	NAME: ④ MADE IN ***** ← ⑦ ⑨ RoHS Compliant	REMARK	01 PET 捆包料带 06 PS HF
⑩			

- ① Part Number
- ② Quantity
- ③ Ten Digits Product Lot Number

Y	Y	M	M	D	D	#	#	#	#
Year		Month		Day		Four Digit Code for I-PEX usage			

- ④ Product Name
- ⑤ QR Code
- ⑥ Check Stamp
- ⑦ Country of Origin
- ⑧ Recycle Mark and Compliance Mark
- ⑨ Logo Mark
- ⑩ Manufacture Name