

# IX-UC2005/2006/2007/2008 RECEPTACLE

Part No. 30117/30118/30119/30120

## Packing Standard

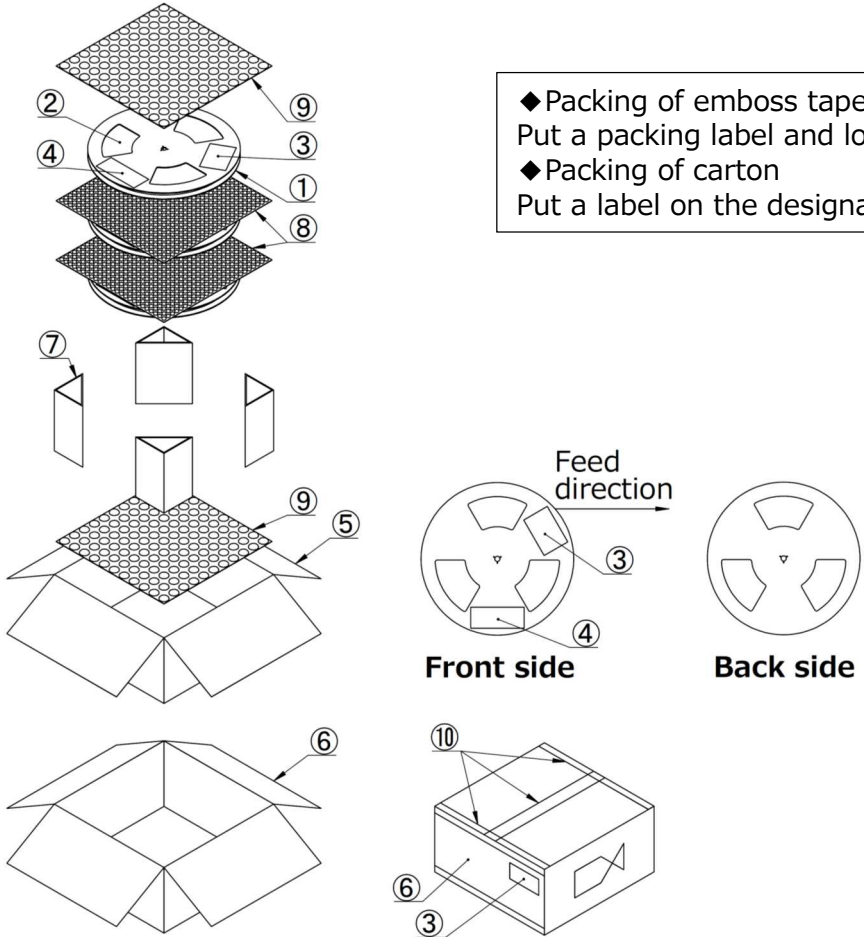
2	S20031	January 17, 2020	S.Suzuki		YShimada
1	S19779	December 27, 2019	S.Suzuki		Y.Shimada
0	S18778	December 12, 2018	S.Suzuki		T.Hirakawa
Rev.	ECN	Date	Prepared by	Checked by	Approved by

# IX-UC2005/2006/2007/2008 RECEPTACLE Packing Standard

## 1. Product information

Product name	Part No.
IX-UC2005 RECEPTACLE VERTICAL TYPE	30117-024E-01
IX-UC2006 RECEPTACLE STAND OFF TYPE	30118-024E-01
IX-UC2007 RECEPTACLE TOP MOUNT TYPE	30119-024E-01
IX-UC2008 RECEPTACLE WATERPROOF TYPE	30120-024E-01

## 2. Packing style



◆ Packing of emboss tape and reel  
Put a packing label and logo mark on the designated place of reel.






◆ Packing of carton  
Put a label on the designated place of carton.

	Description	Dimensions(W×D×H)
①	Reel	φ380×37.4 φ380×30.5(P/N30120)
②	Emboss tape	-
③	Logo mark	-
④	Packing label	-
⑤	Inner carton	-
⑥	Packing carton	405×405×330
⑦	Triangle cylinder	-
⑧	Air bubble sheet #37	-
⑨	Air bubble sheet #80	-
⑩	Transparent plastic tape	-

3. Material and quantity

Part No.	EMBOSS TAPE		REEL		Qty. per emboss tape (pieces/reel)	Qty. per packing carton (reels/carton)
	Width [mm]	Thickness [mm]	Diameter [mm]	Width [mm]		
30117	32.0	13.7	Φ380	37.4	400	8 / carton = 3,200
30118		6.45			800	8 / carton = 6,400
30119		5.50			1,000	8 / carton = 8,000
30120	24.0	4.80		30.5	1,000	10 / carton = 10,000

4. Packing label

P/N	①Part number	CHECK	捆包卷盘
Q'TY	②Quantity	⑥QA Check Stamp	
LOT	③Products lot No.		料带封带
⑤QR code	NAME:	REMARK	
	④Product name		捆包料带
	 		 <span style="border: 1px solid black; padding: 2px;">HF</span>

DAI-ICHI SEIKO CO., LTD.

③Product lot No.

YY MM DD XXXX

DAI-ICHI SEIKO uses code