

ISH[®] V CONNECTOR FEMALE HOUSING/RETAINER

Packing Standard

5	RS0742	November 9, 2020	S.Tono	J.Tateishi	E.Kawabe
4	RS0645	November 22, 2019	K.Hanaki	J.Tateishi	E.Kawabe
3	RS0503	June 6, 2019	K.Hanaki	T.Osuga	E.Kawabe
2	RS0459	June 22, 2018	S.Tanaka	T.Osuga	T.Endo
Rev.	ECN	Date	Prepared by	Checked by	Approved by

1. Product name(s) and part number(s)

1-1. ISHV CONNECTOR FEMALE HOUSING

Poles	Part number
3P	V0037-91003-211
8P	V0027-91008-211
12P	V0027-91012-211
16P	V0027-91016-211

1-2. ISHV CONNECTOR FEMALE RETAINER

Poles	Part number	Compatible FEMALE HOUSING
8P	V0027-92008-211	V0027-91008-211
12P	V0027-92012-211	V0027-91012-211
16P	V0027-92016-211	V0027-91016-211

2. Packing material and quantity

2-1. ISHV CONNECTOR FEMALE HOUSING

Poles	Part Number	Packing bag	Packing carton	Pieces per packing bag [pcs]	Quantity per packing carton [pcs]
		Outer dimension	Outer dimension		
		(W×D) _[mm]	(W×D×H) _[mm]		
3P	V0037-91003-211	165 x 270	306 x 206 x 214	300	300 × 6bags = 1,800
8P	V0027-91008-211	165 x 270	306 x 206 x 214	300	300 × 6bags = 1,800
12P	V0027-91012-211	200 x 340	306 x 206 x 214	300	300 × 6bags = 1,800
16P	V0027-91016-211	200 x 340	306 x 206 x 214	300	300 × 6bags = 1,800

2-2. ISHV CONNECTOR FEMALE RETAINER

Poles	Part number	Packing bag	Packing carton	Pieces per packing bag [pcs]	Quantity per packing carton [pcs]
		Outer dimension	Outer dimension		
		(W×D) _[mm]	(W×D×H) _[mm]		
8P	V0027-92008-211	165 x 270	306 x 206 x 214	1,000	1,000 × 10bags = 10,000
12P	V0027-92012-211	165 x 270	306 x 206 x 214	1,000	1,000 × 10bags = 10,000
16P	V0027-92016-211	200 x 340	306 x 206 x 214	1,000	1,000 × 10bags = 10,000

3. Label

P/N	①	PC	CHECK	⑧
Q' TY	②		⑥	
LOT	③			
⑤	NAME :	④	REMARK	
	MADE IN *****⑦	I-PEX		

R202008041328213828
I-PEX Inc. RoHS Compliant

- ① Part number
- ② Quantity
- ③ Ten digits product lot number

Y	Y	M	M	D	D	#	#	#	#
Year		Month		Day		Note 1			

Note 1: Code for plant usage.

- ④ Product name (abbr.)
- ⑤ QR code
- ⑥ Check stamp
- ⑦ Country of origin
- ⑧ Recycle mark and compliance mark

4. Packing method

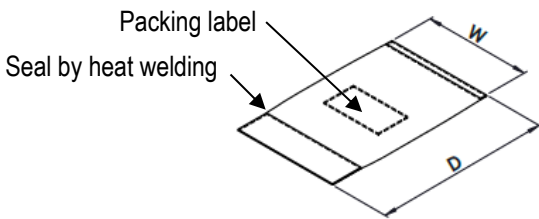


Fig1. Packing bag

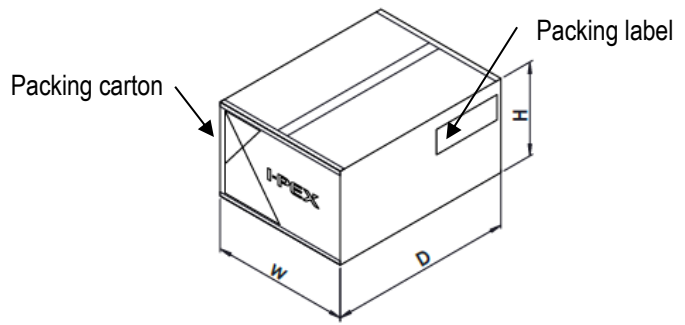


Fig 2. Packing carton

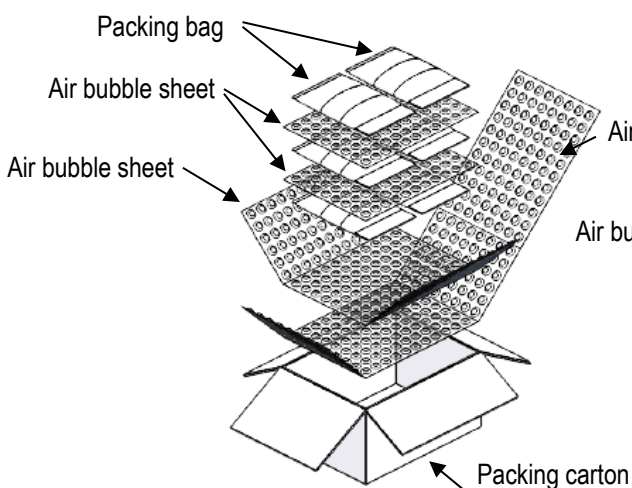


Fig 3. FEMALE HOUSING

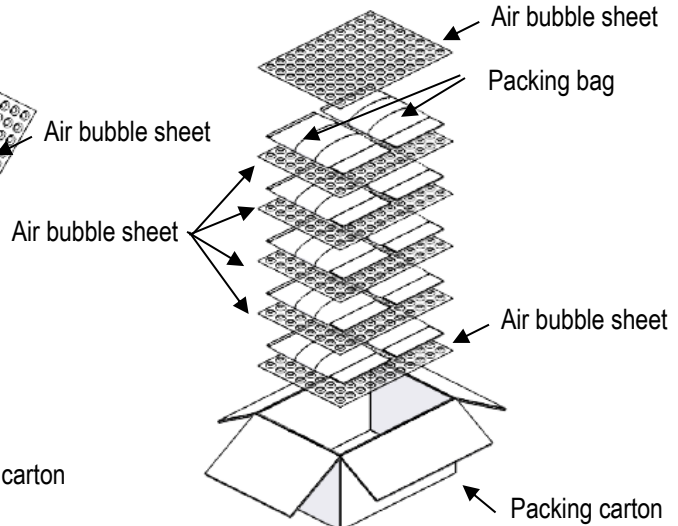


Fig 4. FEMALE RETAINER