

ISH[®] PRESET TYPE HYBRID MALE ASS'Y

Packing Standard

7	RS0899	April 26, 2022	Tsusu	T.Takeda	J.Tateishi
6	RS0887	February 8, 2022	Tsusu	T.Takeda	J.Tateishi
5	RS0862	September 17, 2021	Y.Takagi	T.Takeda	J.Tateishi
4	RS0817	March 15, 2021	Y.Hosokawa	S.Tono	J.Tateishi
Rev.	ECN	Date	Prepared by	Checked by	Approved by

1. Product name(s) and part number(s)

Product name	Part number	Key coding	Lock type
ISH CONNECTOR PRESET TYPE 20P HYBRID MALE ASS'Y	V0071-020E-011	A	Inertia
	V0071-020E-012	B	Inertia
ISH CONNECTOR PRESET TYPE 28P HYBRID MALE ASS'Y	V0071-028E-011	-	Normal

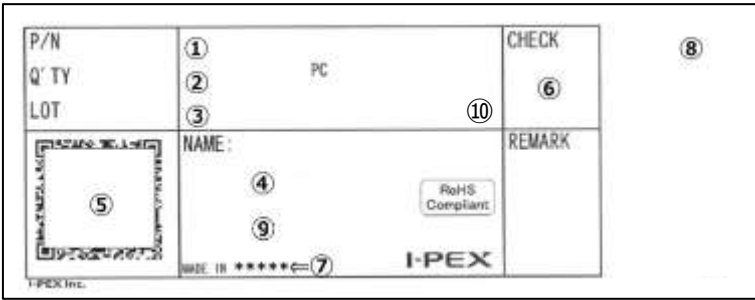
2. Packing Material and Part Number

Poles	Part number	Emboss tape		Reel	Packing carton	
		Width [mm]	Thickness [mm]			Diameter [mm]
20P	V0071-020E-01*	56	13	380	60	406 x 406 x 214
28P	V0071-028E-011	56	13	380	60	406 x 406 x 214

3. Packing quantity

Poles	Pieces per reel [pcs]	Quantity per packing carton [pcs]
20P	200	200 × 3 reels = 600
28P	200	200 × 3 reels = 600

4. Label



- ① Part number
- ② Quantity
- ③ Ten digits product lot number

Y	Y	M	M	D	D	#	#	#	#
Year		Month		Day		Note 1			

Note 1: Code for plant usage.

- ④ Product name (abbr.)
- ⑤ QR code
- ⑥ Check stamp
- ⑦ Country of origin
- ⑧ Recycle mark and compliance mark
- ⑨ Internal Management Number -1 (reel only)
- ⑩ Internal Management Number -2 (reel only)

5. Packing style

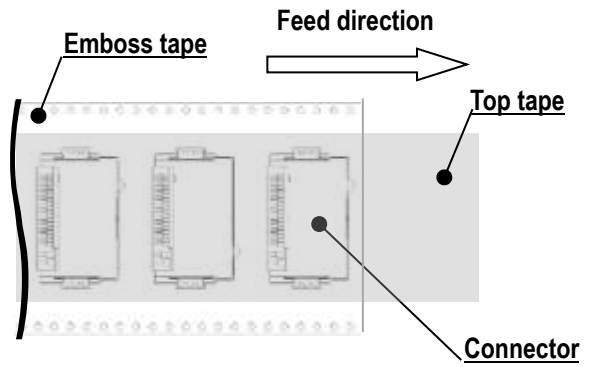
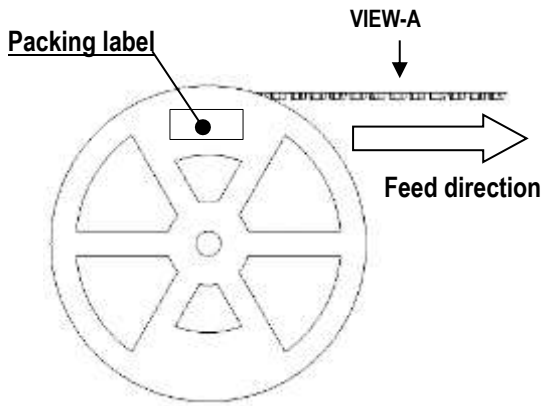


Fig1.Emboss tape

View-A : Feed direction

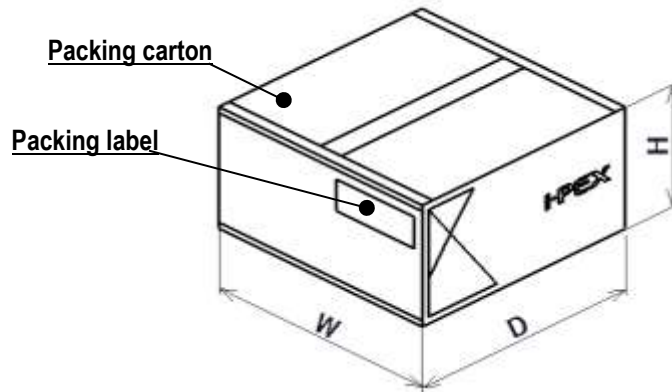
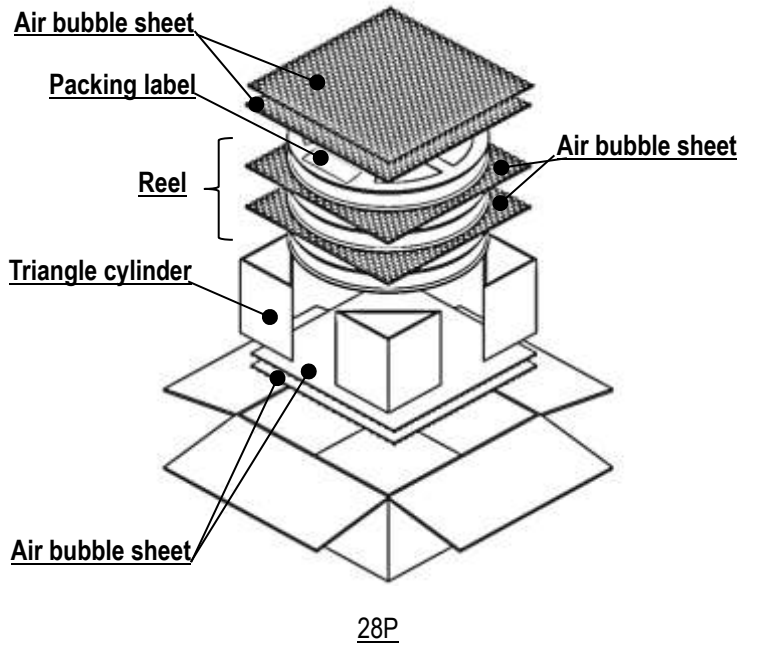
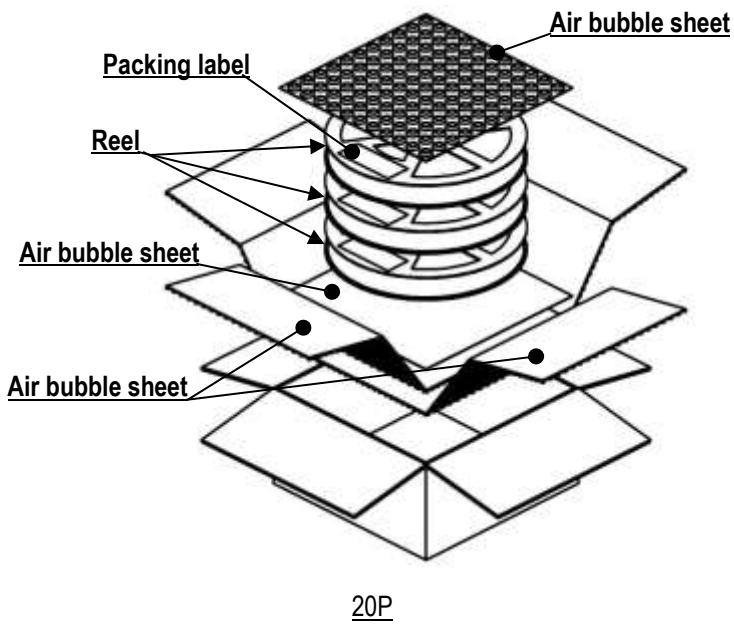


Fig.2 Packing style