

# ISH<sup>®</sup> MALE CONNECTOR

## Packing Standard

0	RS0942	June 14, 2023	Y. Nishimura	J. Mukunoki	J. Tateishi
Rev.	ECN	Date	Prepared by	Checked by	Approved by

## 1. Product name(s) and part number(s)

Product Name	Part number	Key coding	Lock type
ISH® 3P MALE CONNECTOR	V0111-003E-01	-	Normal
ISH® 6P MALE CONNECTOR	V0114-006E-01	A	Normal
	V0114-006E-11	B	Normal
	V0114-008E-02	A	Inertia
ISH® 8P MALE CONNECTOR	V0114-008E-12	B	Inertia
	V0114-008E-22	C	Inertia
	V0114-008E-32	D	Inertia
	V0114-012E-01	A	Normal
ISH® 12P MALE CONNECTOR	V0114-012E-11	B	Normal
	V0114-012E-21	C	Inertia
	V0114-012E-31	D	Inertia
	V0114-012E-12	B	Inertia
ISH® 16P MALE CONNECTOR	V0114-016E-01	-	Inertia
ISH® 20P MALE CONNECTOR	V0114-020E-01	-	Inertia
ISH® 32P MALE CONNECTOR	V0114-032E-01	-	Normal

## 2. Packing material

Poles	Part number V00##-0**E-00*	Emboss tape		Reel		Packing carton
		Width	Thickness	Diameter	Width	Outer dimension
		[mm]	[mm]	[mm]	[mm]	(W×D×H) [mm]
3P (1row)	V0111-003E-01	32	8.4	380	36	406 x 406 x 214
6P (2rows)	V0114-006E-**	32	11.3	380	36	406 x 406 x 214
8P (2rows)	V0114-008E-**	32	11.3	380	36	406 x 406 x 214
12P (2rows)	V0114-012E-**	44	11.3	380	48	406 x 406 x 214
16P (2rows)	V0114-016E-01	44	11.3	380	48	406 x 406 x 214
20P (2rows)	V0114-020E-01	44	11.3	380	48	406 x 406 x 214
32P (2rows)	V0114-032E-01	56	11.3	380	60	406 x 406 x 214

## 3. Packing quantity

Poles	Pieces per reel [pcs]	Quantity per packing carton [pcs]
3P (1row)	450	450 × 4 reels = 1,800
6P (2rows)	300	300 × 4 reels = 1,200
8P (2rows)	300	300 × 4 reels = 1,200
12P (2rows)	300	300 × 3 reels = 900
16P (2rows)	300	300 × 3 reels = 900
20P (2rows)	300	300 × 3 reels = 900
32P (2rows)	300	300 × 3 reels = 900

## 4. Label

P/N	①	PC	CHECK	⑧
Q' TY	②		⑥	
LOT	③	⑩		
⑤	NAME :		REMARK	
	④	RoHS Compliant		
	⑨			
	MADE IN *****←⑦	I-PEX		

- ① Part number
- ② Quantity
- ③ Ten digits product lot number

Y	Y	M	M	D	D	#	#	#	#
Year		Month		Day		Note 1			

Note 1: Code for I-PEX usage.

- ④ Product name (abbr.)
- ⑤ QR code
- ⑥ Check stamp
- ⑦ Country of origin
- ⑧ Recycle mark and compliance mark
- ⑨ Internal Management Number-1 (reel only)
- ⑩ Internal Management Number-2 (reel only)

5. Packing style

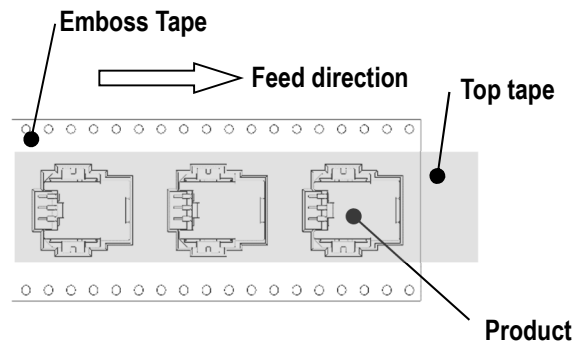
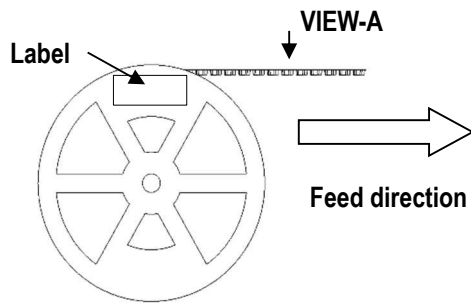


Fig1. Emboss tape & reel

View-A : Feed direction

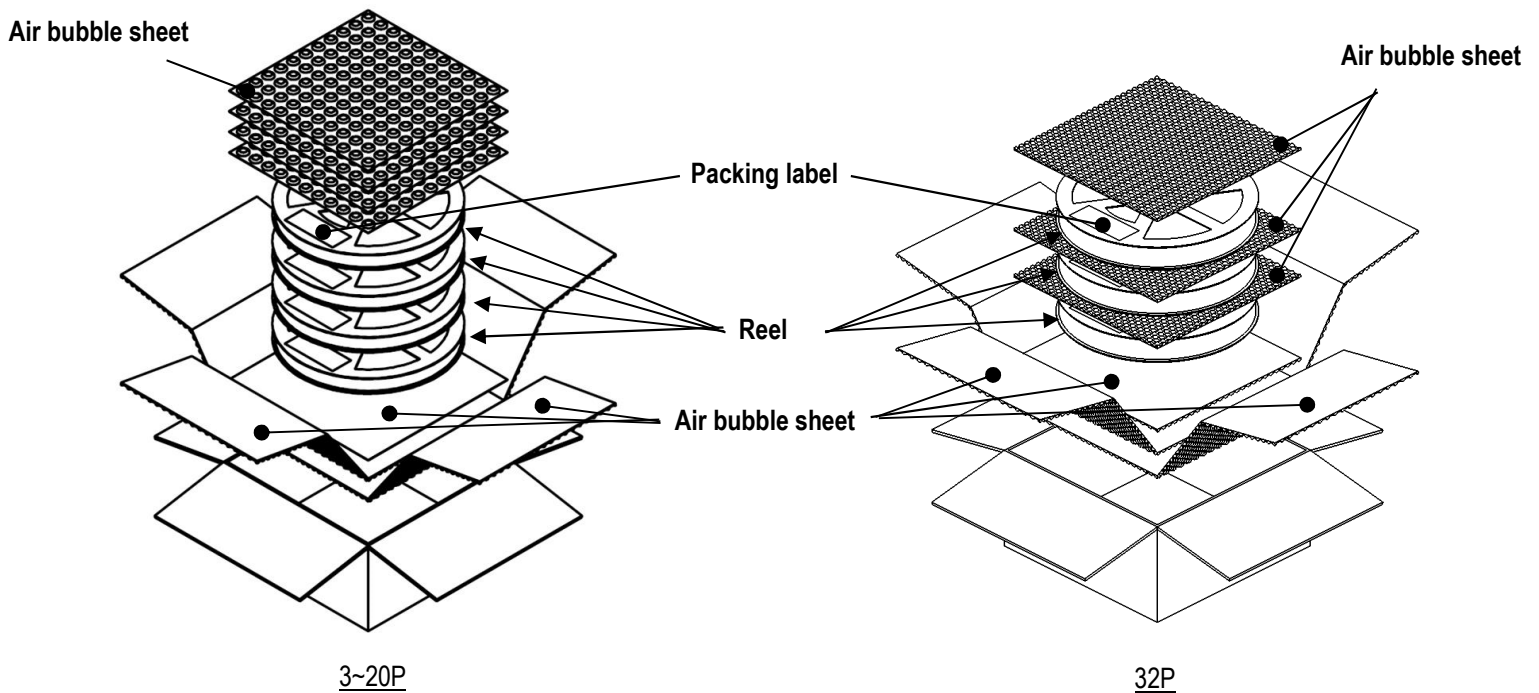
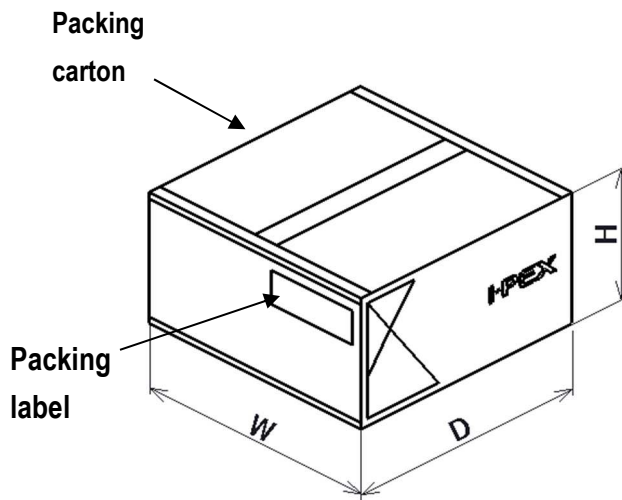


Fig2. Packing style