

ISH[®] HYBRID MALE CONNECTOR

Packing Standard

0	RS0942	June 14, 2023	Y. Nishimura	J. Mukunoki	J. Tateishi
Rev.	ECN	Date	Prepared by	Checked by	Approved by

1. Product name(s) and part number(s)

Product name	Part number	Key coding	Lock type
ISH® 20P HYBRID P2 MALE CONNECTOR	V0123-020E-01	A	Inertia
ISH® 20P HYBRID P2 MALE CONNECTOR	V0123-020E-11	B	Inertia
ISH® 28P HYBRID P2 MALE CONNECTOR	V0123-028E-01	-	Normal

2. Packing Material

Poles	Part number	Emboss tape		Reel		Packing carton
		Width	Thickness	Diameter	Width	Outer dimension
		[mm]	[mm]	[mm]	[mm]	(W×D×H) [mm]
20P	V0123-020E-**	56	13	380	60	406 x 406 x 214
28P	V0123-028E-01	56	13	380	60	406 x 406 x 214

3. Packing quantity

Poles	Pieces per reel [pcs]	Quantity per packing carton [pcs]
20P	200	200 × 3 reels = 600
28P	200	200 × 3 reels = 600

4. Label

P/N	①	PC	CHECK	⑧
Q' TY	②		⑥	
LOT	③		⑩	
⑤	NAME :		REMARK	
	④		RoHS Compliant	
	⑨			
	MADE IN *****←	⑦	I-PEX	

I-PEX Inc.

- ① Part number
- ② Quantity
- ③ Ten digits product lot number

Y	Y	M	M	D	D	#	#	#	#
Year		Month		Day		Note 1			

Note 1: Code for plant usage.

- ④ Product name (abbr.)
- ⑤ QR code
- ⑥ Check stamp
- ⑦ Country of origin
- ⑧ Recycle mark and compliance mark
- ⑨ Internal Management Number -1 (reel only)
- ⑩ Internal Management Number -2 (reel only)

5. Packing style

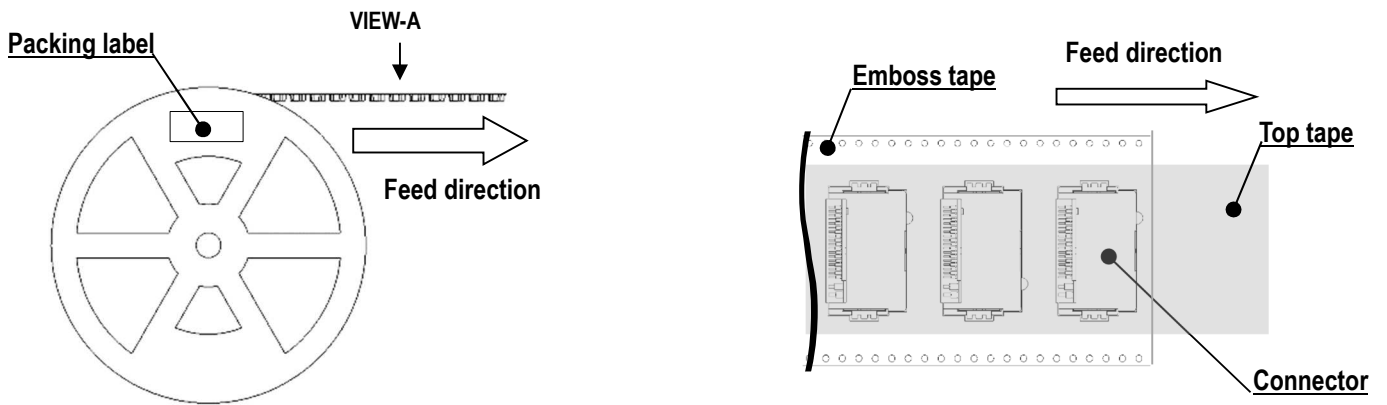
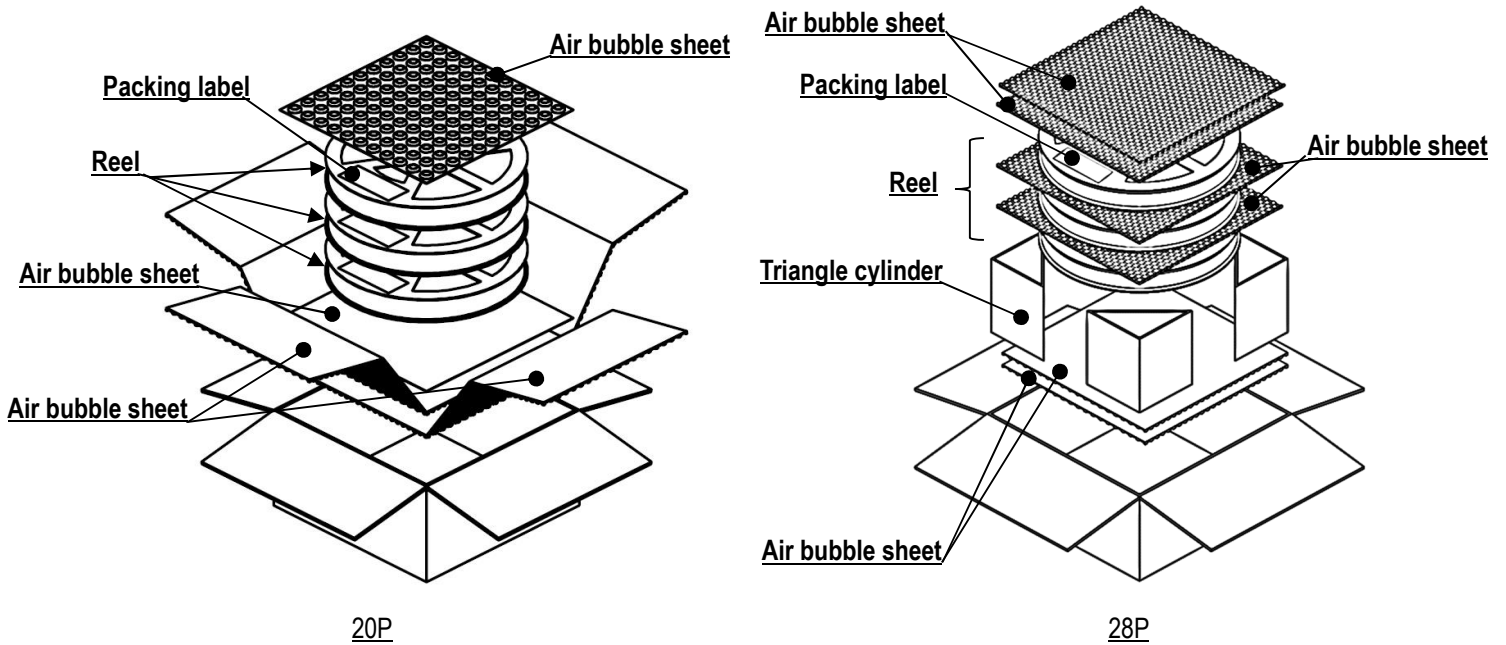


Fig1. Emboss tape

View-A : Feed direction



20P

28P

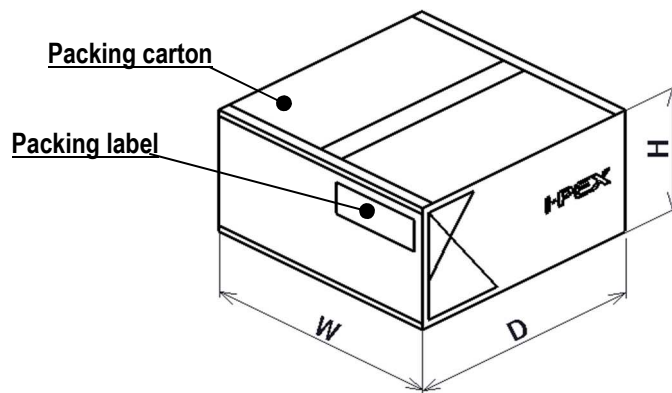


Fig.2 Packing style