

ISH[®] HYBRID FEMALE CONNECTOR

Packing Standard

0	RS0942	June 14, 2023	Y. Nishimura	J. Mukunoki	J. Tateishi
Rev.	ECN	Date	Prepared by	Checked by	Approved by

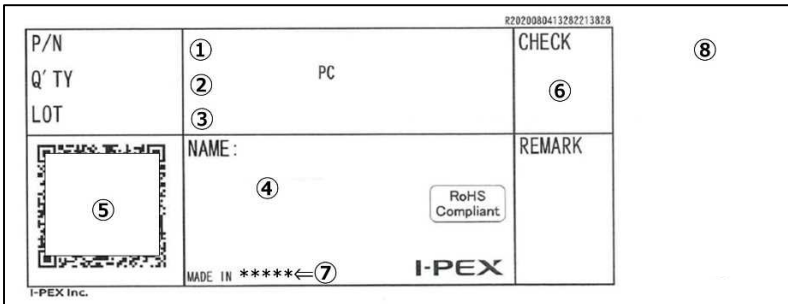
1. Product name(s) and part number(s)

Product name	Part number	Key coding	Lock type	Insertion auxiliary part
ISH® 20P HYBRID FEMALE CONNECTOR	V0124-020B-01	A	Inertia	Option (Rear cover)
ISH® 28P HYBRID FEMALE CONNECTOR	V0124-020B-11	B	Inertia	Option (Rear cover)
ISH® 28P HYBRID FEMALE CONNECTOR	V0124-028B-02	-	Normal	Built-in

2. Packing material

Poles	Part number	Packing bag	Packing carton	Pieces per packing bag [pcs]	Quantity per packing carton [pcs]
		Outer dimension (W×D) [mm]	Outer dimension (W×D×H) [mm]		
20P	V0124-020B-**	260 x 380	406×406×214	200	200 × 8bags = 1,600
28P	V0124-028B-02	260×380	406×406×214	150	150 × 8 bags = 1,200

3. Label



- ① Part number
- ② Quantity
- ③ Ten digits product lot number

Y	Y	M	M	D	D	#	#	#	#
Year		Month		Day		Note 1			

Note 1: Code for plant usage.

- ④ Product name (abbr.)
- ⑤ QR code
- ⑥ Check stamp
- ⑦ Country of origin
- ⑧ Recycle mark and compliance mark

4. Packing style

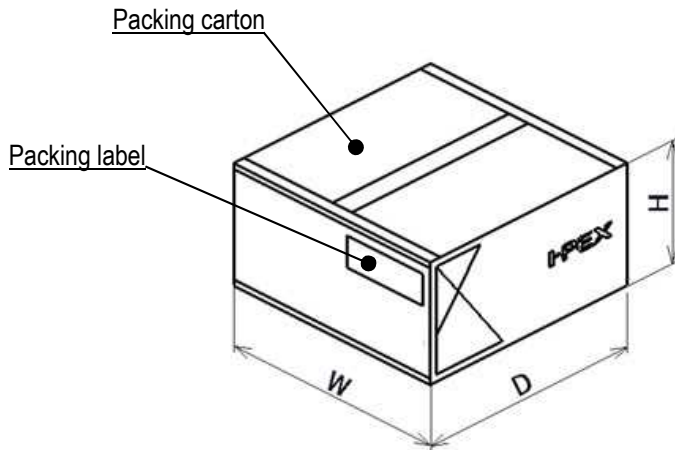


Fig 1. Packing carton

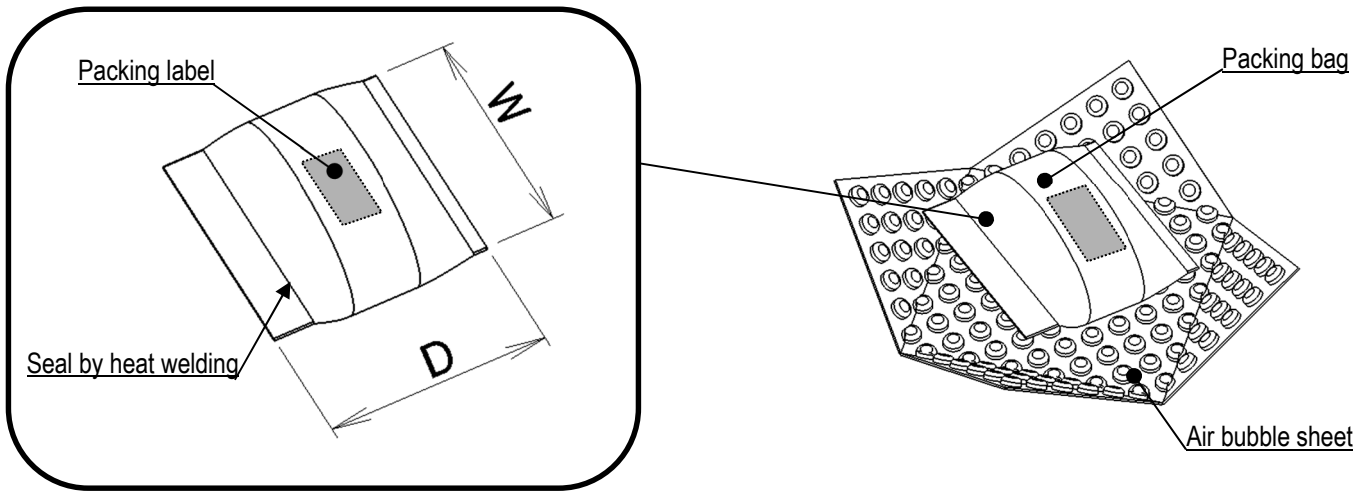


Fig 2. Packing bag

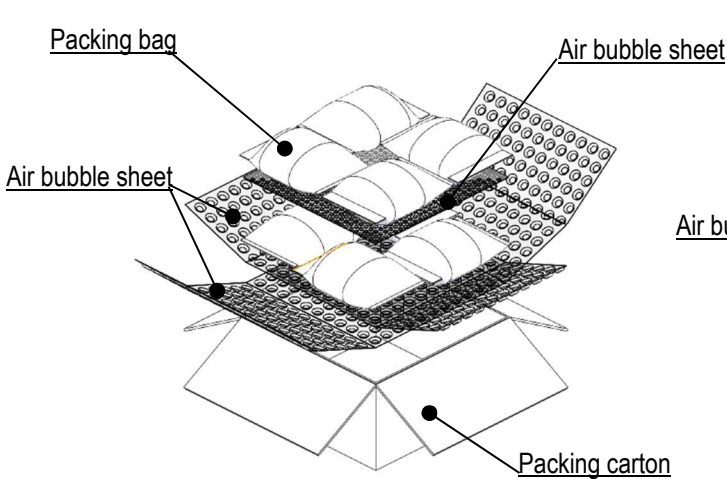


Fig 3. Packing style (20P)

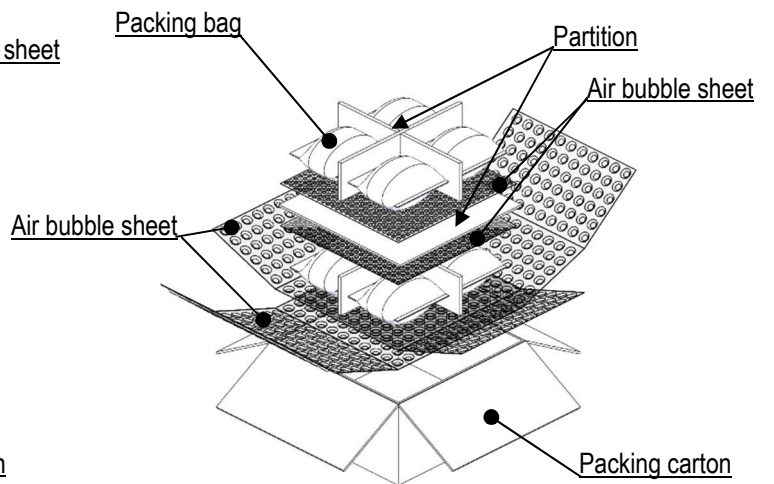


Fig 4. Packing style (28P)