

ISH® FEMALE REAR COVER

Packing Standard

0	RS0942	June 14, 2023	Y. Nishimura	J. Mukunoki	J. Tateishi
Rev.	ECN	Date	Prepared by	Checked by	Approved by

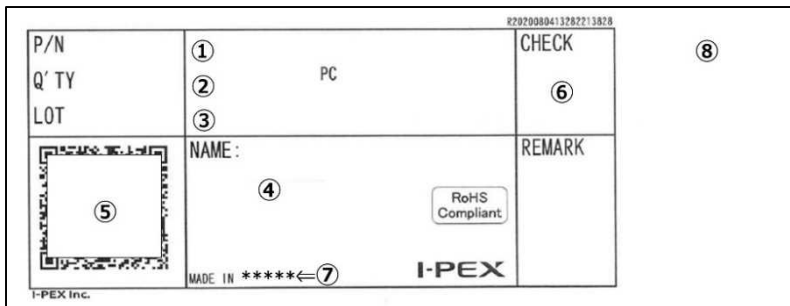
1. Product name(s) and part number(s)

Product name	Part number	Color
ISH® 8P FEMALE REAR COVER	V0116-94008-01	Black
ISH® 12P FEMALE REAR COVER	V0116-94012-01	Black
ISH® 16P FEMALE REAR COVER	V0116-94016-01	Black
ISH® 20P FEMALE REAR COVER	V0116-94020-01	Black

2. Packing material

Poles	Part number	Packing bag	Packing carton	Pieces per packing bag [pcs]	Quantity per packing carton [pcs]
		Outer dimension	Outer dimension		
		(W×D) [mm]	(W×D×H) [mm]		
8P	V0116-94008-01	200 x 340	306 x 406 x 214	500	500 × 10bags = 5,000
12P	V0116-94012-01	200 x 340	306 x 406 x 214	500	500 × 10bags = 5,000
16P	V0116-94016-01	200 x 340	306 x 406 x 214	500	500 × 10bags = 5,000
20P	V0116-94020-01	260 x 380	306 x 406 x 214	500	500 × 10bags = 5,000

3. Label



- ① Part number
- ② Quantity
- ③ Ten digits product lot number

Y	Y	M	M	D	D	#	#	#	#
Year		Month		Day		Note 1			

Note 1: Code for plant usage.

- ④ Product name (abbr.)
- ⑤ QR code
- ⑥ Check stamp
- ⑦ Country of origin
- ⑧ Recycle mark and compliance mark

4. Packing style

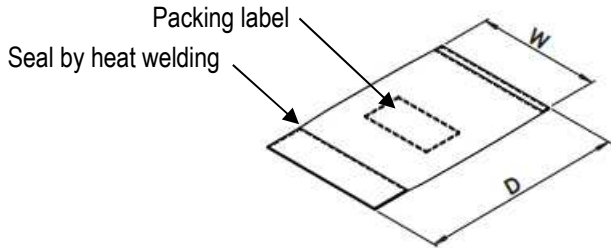


Fig1. Packing bag

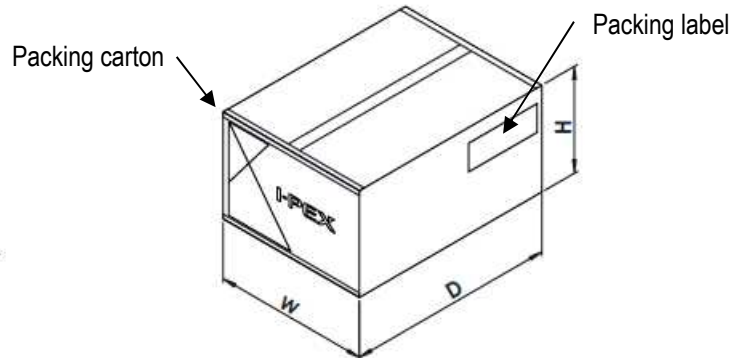


Fig 2. Packing carton

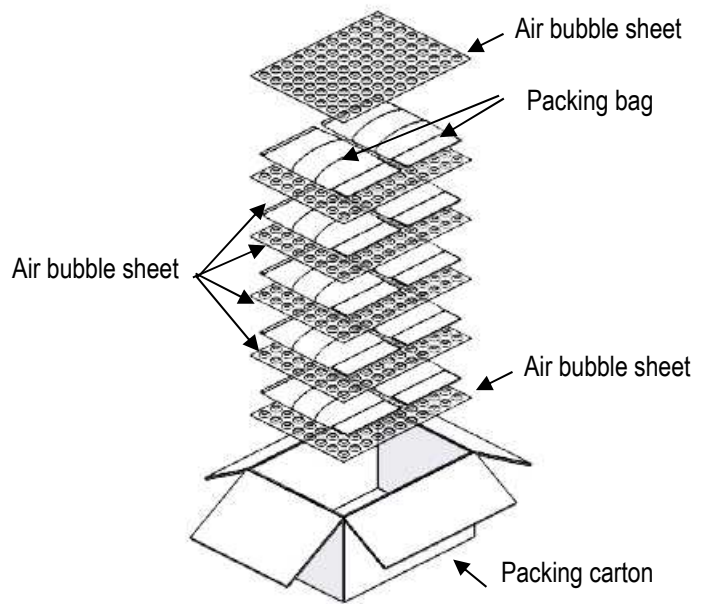


Fig 3. Packing style