

**ISH®
FEMALE HOUSING
FEMALE RETAINER
INLINE MALE HOUSING**

Packing Standard

0	RS0942	June 14, 2023	Y. Nishimura	J. Mukunoki	J. Tateishi
Rev.	ECN	Date	Prepared by	Checked by	Approved by

1. Product name(s) and part number(s)

1-1. ISH® FEMALE HOUSING

Product name	Part number	Key coding	Lock type	Insertion auxiliary part
ISH® 3P FEMALE HOUSING	V0113-91003-01	-	Normal	-
ISH® 6P FEMALE HOUSING	V0116-91006-01	A	Normal	-
	V0116-91006-11	B	Normal	-
ISH® 8P FEMALE HOUSING	V0116-91008-02	A	Inertia	-
	V0116-91008-12	B	Inertia	-
	V0116-91008-22	C	Inertia	-
	V0116-91008-32	D	Inertia	-
	V0116-91008-03	A	Inertia	Option (Rear cover)
ISH® 10P FEMALE HOUSING	V0020-91010-211	-	Normal	-
ISH® 12P FEMALE HOUSING	V0116-91012-01	A	Normal	-
	V0116-91012-11	B	Normal	-
	V0116-91012-21	C	Inertia	-
	V0116-91012-02	A	Normal	Option (Rear cover)
	V0116-91012-31	D	Inertia	Option (Rear cover)
	V0116-91012-12	B	Inertia	Option (Rear cover)
	V0116-91012-22	C	Inertia	Option (Rear cover)
ISH® 16P FEMALE HOUSING	V0116-91016-01	-	Inertia	-
	V0116-91016-02	-	Inertia	Option (Rear cover)
ISH® 20P FEMALE HOUSING	V0116-91020-01	-	Inertia	Option (Rear cover)
	V0020-91020-211	-	Normal	-
ISH® 26P FEMALE HOUSING	V0020-91026-211	-	Normal	-
ISH® 32P FEMALE HOUSING	V0116-91032-02	-	Normal	Built-in

1-2. ISH® FEMALE RETAINER

Product name	Part number	Compatible FEMALE HOUSING
ISH® 6P FEMALE RETAINER	V0116-92006-01	V0116-91006-**
ISH® 8P FEMALE RETAINER	V0116-92008-01	V0116-91008-**
ISH® 10P FEMALE RETAINER	V0020-92010-211	V0020-91010-211
ISH® 12P FEMALE RETAINER	V0116-92012-01	V0116-91012-**
ISH® 16P FEMALE RETAINER	V0116-92016-01	V0116-91016-**
ISH® 20P FEMALE RETAINER	V0116-92020-01	V0116-91020-01
	V0020-92020-211	V0020-91020-211
ISH® 26P FEMALE RETAINER	V0020-92026-211	V0020-91026-211
ISH® 32P FEMALE RETAINER	V0116-92032-01	V0116-91032-02

1-3. ISH® INLINE MALE HOUSING

Product name	Part number
ISH® 3P INLINE MALE HOUSING	V0112-91003-01

ISH® FEMALE HOUSING / FEMALE RETAINER / INLINE MALE HOUSING Packing Standard

2. Packing material

2-1. ISH® FEMALE HOUSING

Poles	Part number	Packing bag	Packing carton (Inner)	Packing carton (Outer)	Pieces per packing bag [pcs]	Quantity per Packing carton [pcs]
		Outer dimension	Outer dimension	Outer dimension		
		(W×D) _[mm]	(W×D×H) _[mm]	(W×D×H) _[mm]		
3P	V0113-91003-01	165 x 270	-	206 x 306 x 214	300	300 × 6bags = 1,800
6P	V0116-91006-**	165 x 270	-	206 x 306 x 214	300	300 × 6bags = 1,800
8P	V0116-91008-**	165 x 270	-	206 x 306 x 214	300	300 × 6bags = 1,800
10P	V0020-91010-211	200 x 340	-	306 x 406 x 214	300	300 × 10bags = 3,000
12P	V0116-91012-**	200 x 340	-	206 x 306 x 214	300	300 × 6bags = 1,800
	V0116-91012-22	200 x 340	-	206 x 306 x 214	300	300 × 6bags = 1,800
16P	V0116-91016-**	200 x 340	-	206 x 306 x 214	300	300 × 6bags = 1,800
20P	V0116-91020-01	200 x 340	-	306 x 406 x 214	300	300 × 10bags = 3,000
	V0020-91020-211	200 x 340	-	306 x 406 x 214	300	300 × 10bags = 3,000
26P	V0020-91026-211	260 x 380	-	306 x 406 x 214	300	300 × 10bags = 3,000
32P	V0116-91032-02	260 x 380	175×385×90	406×406×214	200	200 × 2bags × 4 cartons = 1,600

2-2. ISH® FEMALE RETAINER

Poles	Part number	Packing bag	Packing carton	Pieces per packing bag [pcs]	Quantity per packing carton [pcs]
		Outer dimension	Outer dimension		
		(W×D) _[mm]	(W×D×H) _[mm]		
6P	V0116-92006-**	165 x 270	206 x 306 x 214	1,000	1,000 × 10bags = 10,000
8P	V0116-92008-01	165 x 270	206 x 306 x 214	1,000	1,000 × 10bags = 10,000
10P	V0020-92010-211	165 x 270	206 x 306 x 214	1,000	1,000 × 10bags = 10,000
12P	V0116-92012-01	165 x 270	206 x 306 x 214	1,000	1,000 × 10bags = 10,000
16P	V0116-92016-01	200 x 340	206 x 306 x 214	1,000	1,000 × 10bags = 10,000
20P	V0020-92020-211	200 x 340	206 x 306 x 214	1,000	1,000 × 10bags = 10,000
	V0116-92020-01	200 x 340	206 x 306 x 214	1,000	1,000 × 10bags = 10,000
26P	V0020-92026-211	200 x 340	206 x 306 x 214	1,000	1,000 × 10bags = 10,000
32P	V0116-92032-01	200 x 340	206 x 306 x 214	1,000	1,000 × 10bags = 10,000

2-3. ISH® INLINE MALE HOUSING

Poles	Part number	Packing bag	Packing carton	Pieces per packing bag [pcs]	Quantity per packing carton [pcs]
		Outer dimension	Outer dimension		
		(W×D) _[mm]	(W×D×H) _[mm]		
3P	V0112-91003-01	200 x 340	206 x 306 x 214	200	200 × 6bags = 1,200

3. Label

P/N	①	PC	CHECK	⑧
Q' TY	②		⑥	
LOT	③			
⑤	NAME :		REMARK	
	④	RoHS Compliant		
	MADE IN *****←⑦	I-PEX		

- ① Part number
- ② Quantity
- ③ Ten digits product lot number

Y	Y	M	M	D	D	#	#	#	#
Year		Month		Day		Note 1			

Note 1: Code for I-PEX usage.

- ④ Product name (abbr.)
- ⑤ QR code
- ⑥ Check stamp
- ⑦ Country of origin
- ⑧ Recycle mark and compliance mark

4. Packing style

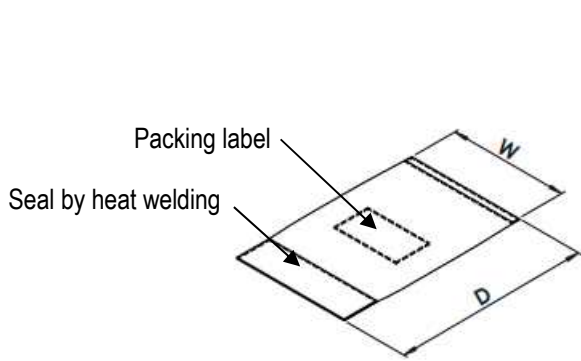


Fig1. Packing bag

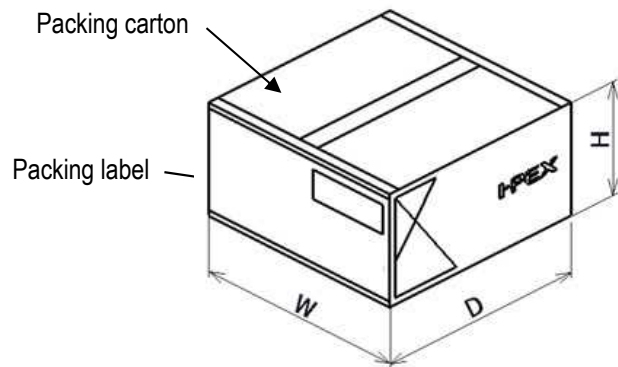


Fig 2. Packing carton (Outer)

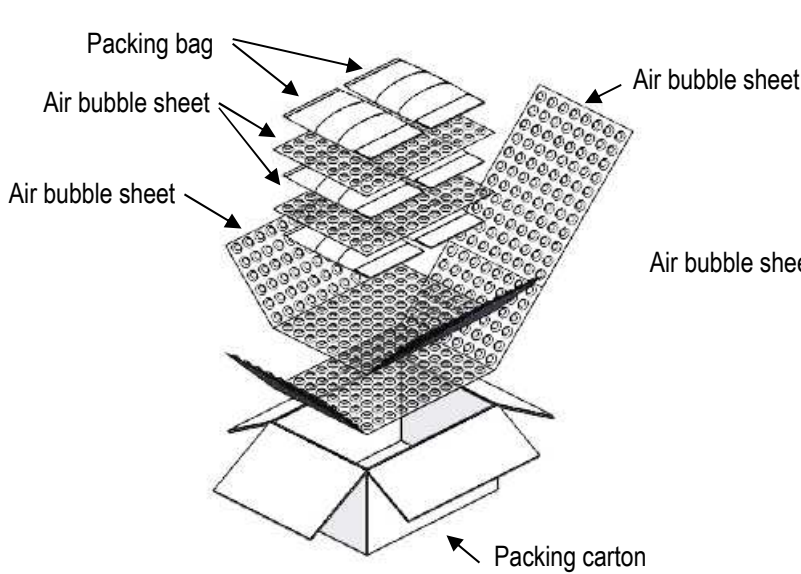


Fig.3. Packing style
(FEMALE HOUSING, INLINE MALE HOUSING)

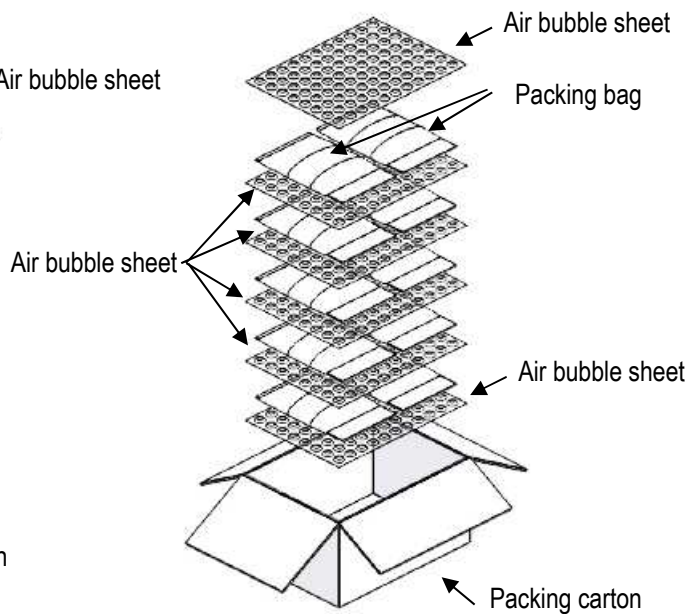


Fig.4. Packing style (FEMALE RETAINER)

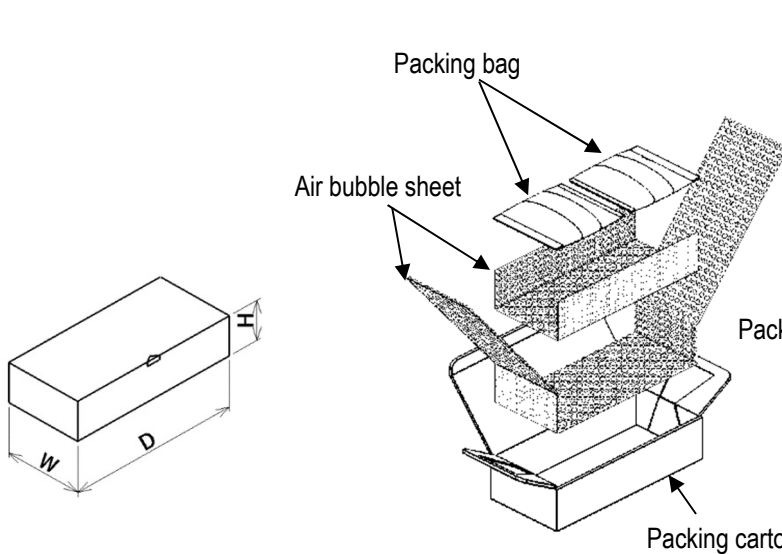


Fig.5. Packing carton (Inner)

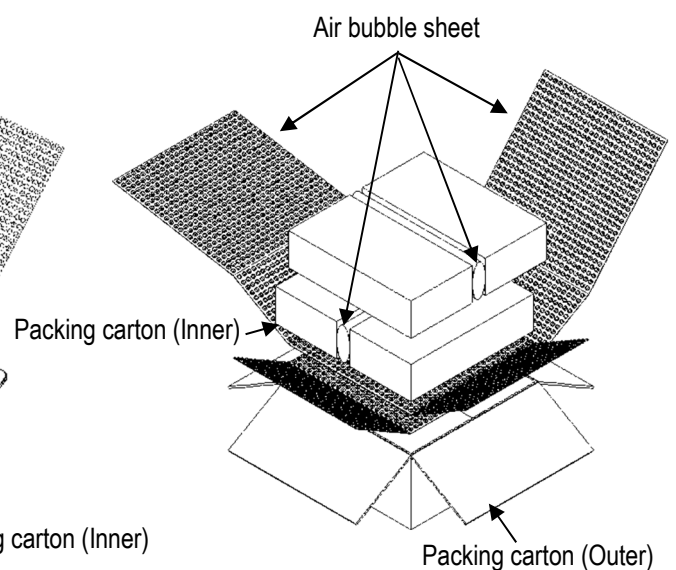


Fig.6. Packing style (FEMALE HOUSING) ※32P Only