

# ISH® CONNECTOR FEMALE HOUSING/RETAINER INLINE CONNECTOR

## Packing Standard

14	RS0829	April 28, 2021	K.Tsusu	J.Tateishi	E.Kawabe
13	RS0742	November 9, 2020	S.Tono	J.Tateishi	E.Kawabe
12	RS0716	May/26/2020	K.Tsusu	J.Tateishi	E.Kawabe
11	RS0607	June/19/2019	S.Tanaka	J.Tateishi	E.Kawabe
Rev.	ECN	Date	Prepared by	Checked by	Approved by

## 1. Product name(s) and part number(s)

### 1-1. ISH CONNECTOR FEMALE HOUSING

Poles	Part number	Key coding	Lock type	Insertion auxiliary part
3P	V0013-91003-211	-	Normal	-
6P	V0016-91006-211	A	Normal	-
	V0016-91006-212	B	Normal	-
8P	V0020-91008-212	A	Inertia	-
	V0020-91008-213	B	Inertia	-
	V0020-91008-214	C	Inertia	-
	V0020-91008-215	D	Inertia	-
	V0020-91008-216	A	Inertia	Option (Rear cover)
10P	V0020-91010-211	-	Normal	-
12P	V0016-91012-211	A	Normal	-
	V0016-91012-212	B	Normal	-
	V0016-91012-214	C	Inertia	-
	V0016-91012-215	A	Normal	Option (Rear cover)
	V0016-91012-216	D	Inertia	Option (Rear cover)
	V0016-91012-217	B	Inertia	Option (Rear cover)
	V0016-93012-211	C	Inertia	Option (Rear cover)
16P	V0016-91016-211	-	Inertia	-
	V0016-91016-212	-	Inertia	Option (Rear cover)
20P	V0016-91020-211	A	Inertia	Option (Rear cover)
	V0020-91020-211	B	Normal	-
26P	V0020-91026-211	-	Normal	-
32P	V0016-91032-212	-	Normal	Built-in

### 1-2. ISH CONNECTOR FEMALE RETAINER

Poles	Part number	Compatible FEMALE HOUSING
6P	V0016-92006-211	V0016-91006-21*
8P	V0027-92008-211	V0020-91008-21*
10P	V0020-92010-211	V0020-91010-211
12P	V0016-92012-211	V0016-91012-21*, V0016-93012-211
16P	V0020-92016-211	V0016-91016-21*
20P	V0020-92020-211	V0020-91020-211
	V0027-92020-211	V0016-91020-211
26P	V0020-92026-211	V0020-91026-211
32P	V0027-92032-211	V0016-91032-212

### 1-3. ISH INLINE CONNECTOR

Poles	Part number
3P	V0014-91003-221

## 2. Packing material and quantity

### 2-1. ISH CONNECTOR FEMALE HOUSING

Poles	Part number	Packing bag	Packing carton (Inner)	Packing carton (Outer)	Pieces per packing bag [pcs]	Quantity per Packing carton [pcs]
		Outer dimension	Outer dimension	Outer dimension		
		(W×D) <sub>[mm]</sub>	(W×D×H) <sub>[mm]</sub>	(W×D×H) <sub>[mm]</sub>		
3P	V0013-91003-211	165 x 270	-	206 x 306 x 214	300	300 × 6bags = 1,800
6P	V0016-91006-21*	165 x 270	-	206 x 306 x 214	300	300 × 6bags = 1,800
8P	V0020-91008-21*	165 x 270	-	206 x 306 x 214	300	300 × 6bags = 1,800
10P	V0020-91010-211	200 x 340	-	306 x 406 x 214	300	300 × 10bags = 3,000
12P	V0016-91012-21*	200 x 340	-	206 x 306 x 214	300	300 × 6bags = 1,800
	V0016-93012-211	200 x 340	-	206 x 306 x 214	300	300 × 6bags = 1,800
16P	V0016-91016-21*	200 x 340	-	206 x 306 x 214	300	300 × 6bags = 1,800
20P	V0016-91020-211	200 x 340	-	306 x 406 x 214	300	300 × 10bags = 3,000
	V0020-91020-211	200 x 340	-	306 x 406 x 214	300	300 × 10bags = 3,000
26P	V0020-91026-211	260 x 380	-	306 x 406 x 214	300	300 × 10bags = 3,000
32P	V0016-91032-212	260 x 380	175×385×90	406×406×214	200	200 × 2bags × 4 cartons = 1,600

### 2-2. ISH CONNECTOR FEMALE RETAINER

Poles	Part number	Packing bag	Packing carton	Pieces per packing bag [pcs]	Quantity per packing carton [pcs]
		Outer dimension	Outer dimension		
		(W×D) <sub>[mm]</sub>	(W×D×H) <sub>[mm]</sub>		
6P	V0016-92006-21*	165 x 270	206 x 306 x 214	1,000	1,000 × 10bags = 10,000
8P	V0027-92008-211	165 x 270	206 x 306 x 214	1,000	1,000 × 10bags = 10,000
10P	V0020-92010-211	165 x 270	206 x 306 x 214	1,000	1,000 × 10bags = 10,000
12P	V0016-92012-211	165 x 270	206 x 306 x 214	1,000	1,000 × 10bags = 10,000
16P	V0016-92016-211	200 x 340	206 x 306 x 214	1,000	1,000 × 10bags = 10,000
20P	V0020-92020-211	200 x 340	206 x 306 x 214	1,000	1,000 × 10bags = 10,000
	V0027-92020-211	200 x 340	206 x 306 x 214	1,000	1,000 × 10bags = 10,000
26P	V0020-92026-211	200 x 340	206 x 306 x 214	1,000	1,000 × 10bags = 10,000
32P	V0027-92032-211	200 x 340	206 x 306 x 214	1,000	1,000 × 10bags = 10,000

### 2-3. ISH INLINE CONNECTOR

Poles	Part number	Packing bag	Packing carton	Pieces per packing bag [pcs]	Quantity per packing carton [pcs]
		Outer dimension	Outer dimension		
		(W×D) <sub>[mm]</sub>	(W×D×H) <sub>[mm]</sub>		
3P	V0014-91003-221	200 x 340	206 x 306 x 214	200	200 × 6bags = 1,200

## 3. Label

P/N	①	PC	CHECK	⑧
Q' TY	②		⑥	
LOT	③			
⑤	NAME :	④	REMARK	
		RoHS Compliant		
	MADE IN *****	⑦	I-PEX	

I-PEX Inc.

- ① Part number
- ② Quantity
- ③ Ten digits product lot number

Y	Y	M	M	D	D	#	#	#	#
Year		Month		Day		Note 1			

Note 1: Code for I-PEX usage.

- ④ Product name (abbr.)
- ⑤ QR code
- ⑥ Check stamp
- ⑦ Country of origin
- ⑧ Recycle mark and compliance mark

4. Packing Method

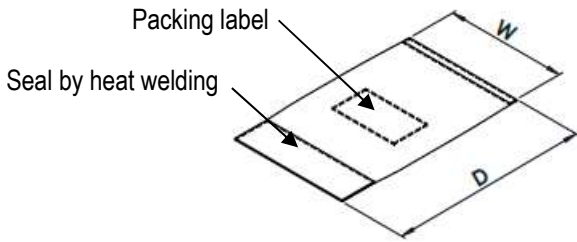


Fig1. Packing bag

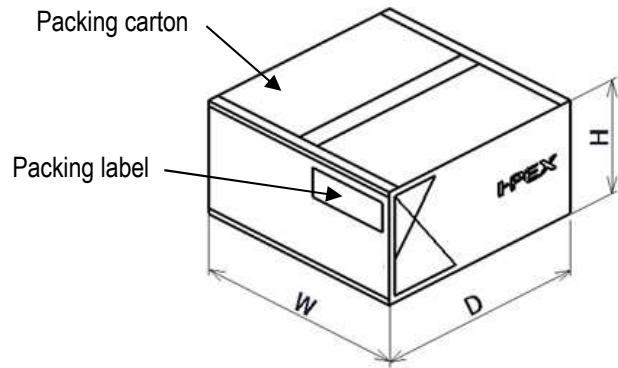


Fig 2. Packing carton (Outer)

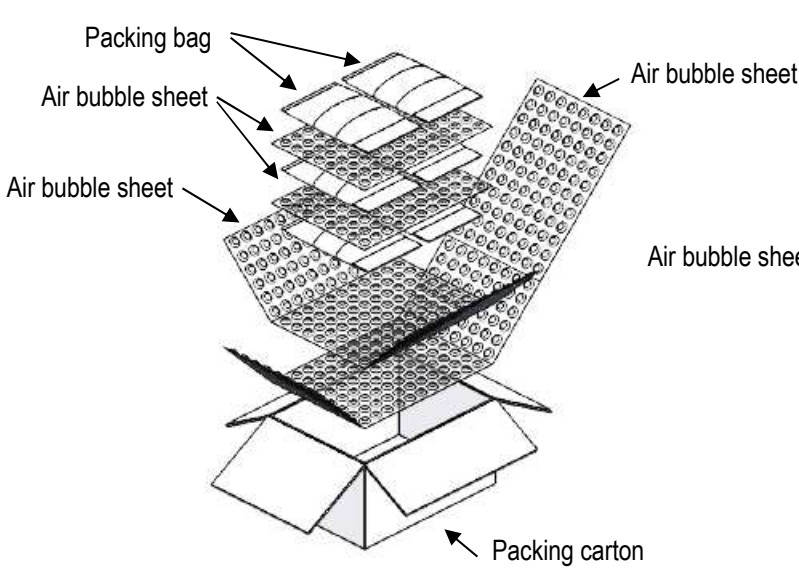


Fig.3. FEMALE HOUSING, INLINE CONNECTOR

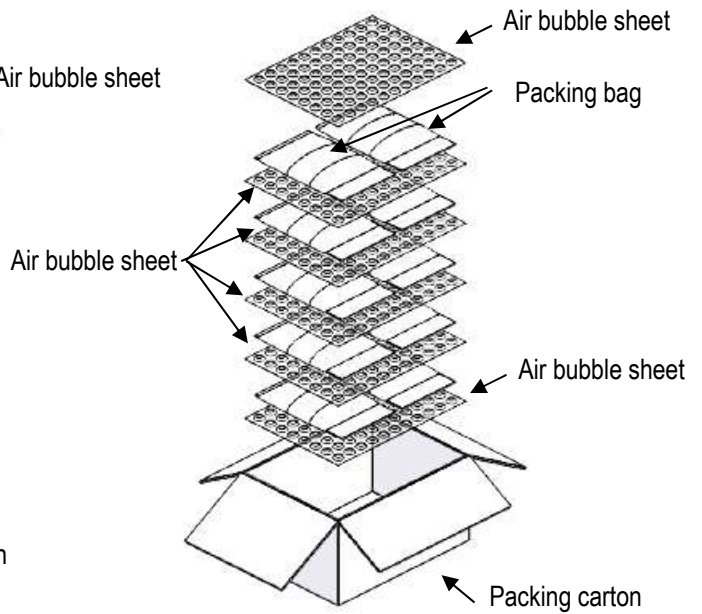


Fig.4. FEMALE RETAINER

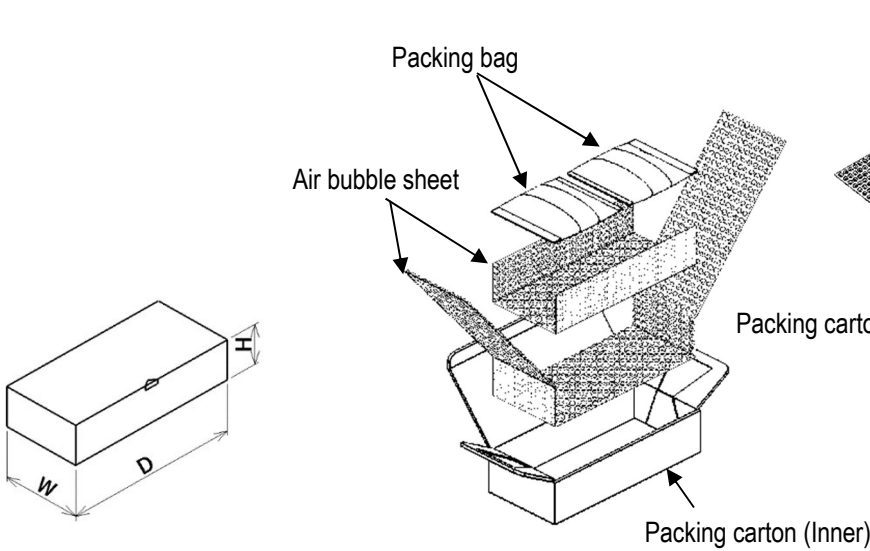


Fig.5. Packing carton (Inner)

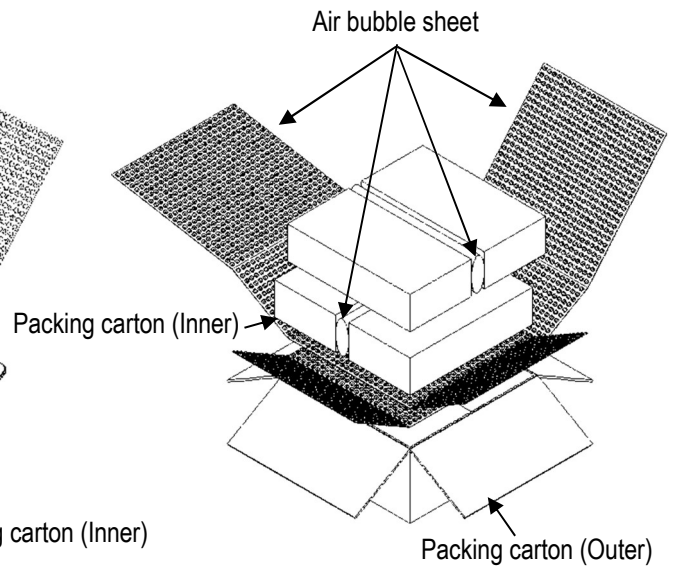


Fig.6. FEMALE HOUSING ※32P Only