

ISH[®] CONNECTOR TERMINAL

Packing Standard

11	RS0835	May 11, 2021	Y.Takagi	J.Tateishi	E.Kawabe
10	RS0742	November 9, 2020	S.Tono	J.Tateishi	E.Kawabe
9	RS0645	November 22, 2019	K.Hanaki	J.Tateishi	E.Kawabe
8	RS0513	July 11, 2018	D.Matsushita	T.Osuga	E.Kawabe
Rev.	ECN	Date	Prepared by	Checked by	Approved by

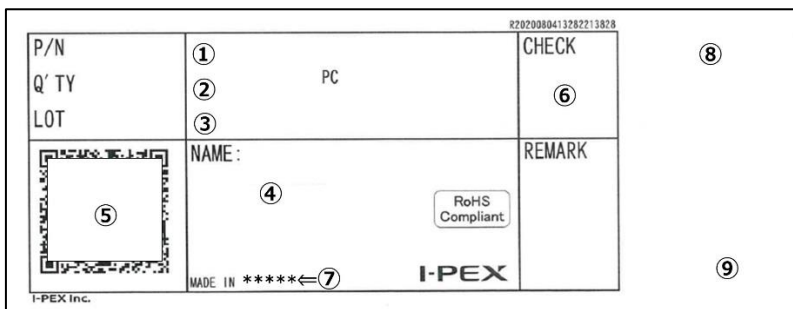
1. Product name(s) and part number(s)

Product name	Part number
ISH CONNECTOR 0.5mm FEMALE TERMINAL	VT001-512
ISH CONNECTOR 0.5mm FEMALE TERMINAL SL	VT001-513
ISH CONNECTOR 0.5mm FEMALE TERMINAL (Au plating)	VT001-552
ISH INLINE CONNECTOR 0.5mm MALE TERMINAL	VT002-012
ISH CONNECTOR 1.5mm FEMALE TERMINAL	VT004-513
ISH CONNECTOR 1.5mm FEMALE TERMINAL SL	VT004-514

2. Packing Material and Quantity

Part number	Reel		Separating paper	Packing carton	Pieces per reel [pin]	Quantity per packing carton [pin]
	Diameter [mm]	Width [mm]	Width [mm]	Outer dimension (W×D×H) [mm]		
VT001-512	610	22	20	630 x 620 x 170	10,000	10,000 × 4 reel = 40,000
VT001-513	610	22	20	630 x 620 x 170	10,000	10,000 × 4 reel = 40,000
VT001-552	610	22	20	630 x 620 x 170	10,000	10,000 × 4 reel = 40,000
VT002-012	610	30	28	630 x 620 x 170	10,000	10,000 × 3 reel = 30,000
VT004-513	610	22	20	630 x 620 x 170	6,500	6,500 × 4 reel = 26,000
VT004-514	610	22	20	630 x 620 x 170	6,500	6,500 × 4 reel = 26,000

3. Label



- ① Part number
- ② Quantity
- ③ Ten digits product lot number

Y	Y	M	M	D	D	#	#	#	#
Year		Month		Day		Note 1			

Note 1: Code for plant usage.

- ④ Product name
- ⑤ QR code
- ⑥ Check stamp
- ⑦ Country of origin

⑧ Recycle mark and compliance mark

⑨ Reel number

※Number of joint/s must be indicated on the label (for reel).

The joints are 2 max per reel.

Indicate "JOINT" in REMARK section.

4. Packing method

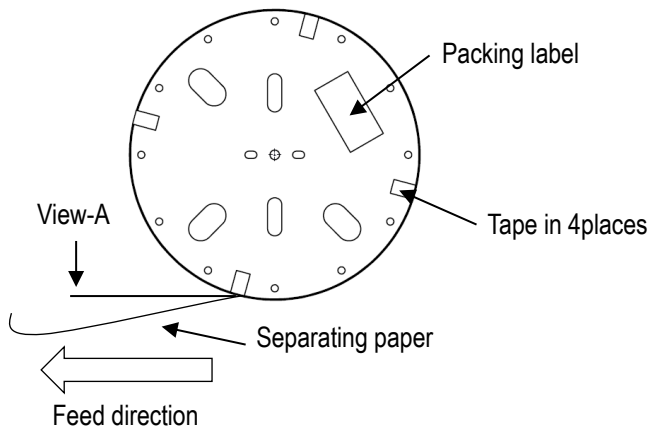
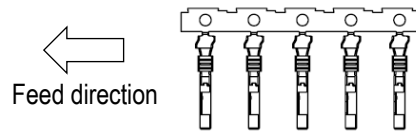
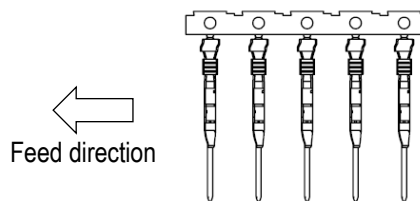


Fig 1. Reel



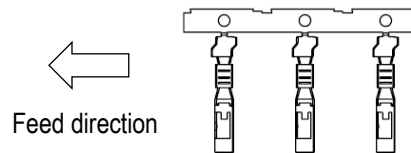
View-A : ISH CONNECTOR 0.5mm FEMALE TERMINAL

Part Number : VT001-512, VT001-513, VT001-552



View-A : ISH INLINE CONNECTOR 0.5mm MALE TERMINAL

Part Number : VT002-012



View-A : ISH CONNECTOR 1.5mm FEMALE TERMINAL

Part Number : VT004-513, VT004-514

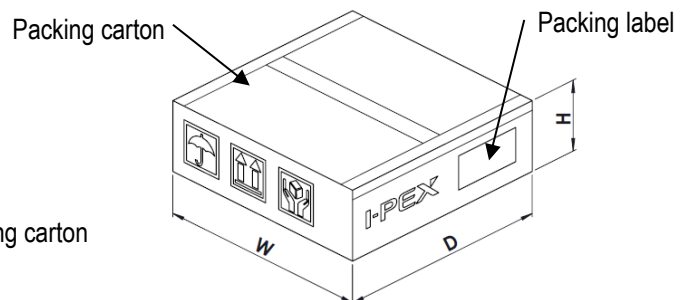
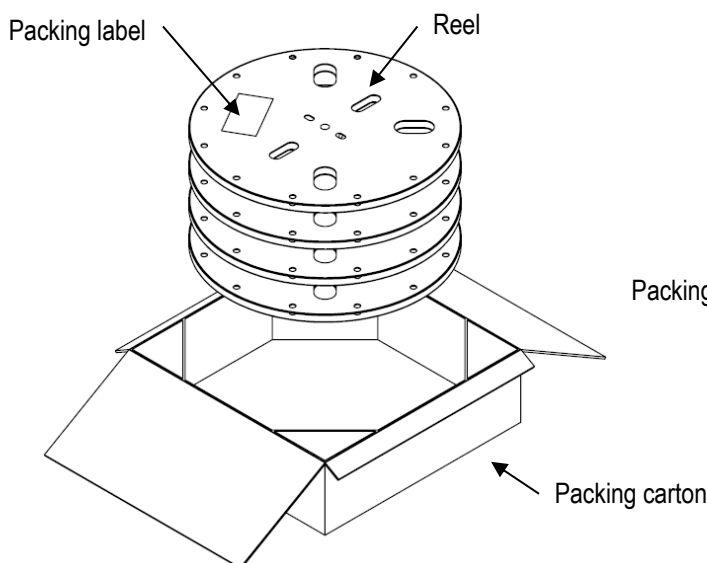


Fig 2. Packing style