

ISH® CONNECTOR FEMALE HOUSING REAR COVER

Packing Standard

4	RS0742	November 9, 2020	S.Tono	J.Tateishi	E.Kawabe
3	RS0716	May 26, 2020	K.Tsusu	J.Tateishi	E.Kawabe
2	RS0603	June 6, 2019	K.Hanaki	J.Tateishi	E.Kawabe
1	RS0503	June 22, 2018	S.Tanaka	T.Osuga	T.Endo
Rev.	ECN	Date	Prepared by	Checked by	Approved by

1. Product name(s) and part number(s)

1-1. ISH CONNECTOR FEMALE HOUSING REAR COVER

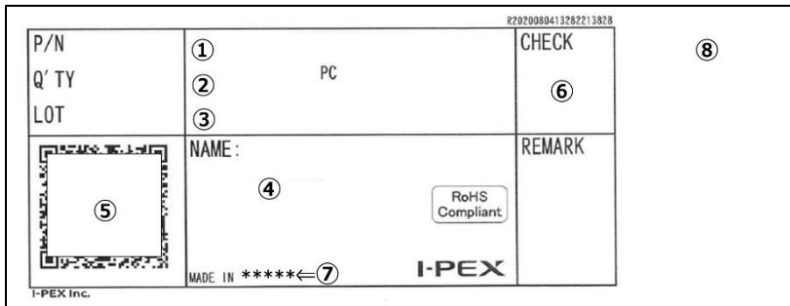
Poles	Part number	Color
8P	V0020-94008-611	Black
12P	V0016-94012-611	Black
16P	V0016-94016-611	Black
20P	V0016-92020-611	Black

2. Packing material and quantity

2-1. ISH CONNECTOR FEMALE HOUSING REAR COVER

Poles	Part number	Packing bag	Packing carton	Pieces per packing bag [pcs]	Quantity per packing carton [pcs]
		Outer dimension	Outer dimension		
		(W×D) [mm]	(W×D×H) [mm]		
8P	V0020-94008-611	200 x 340	306 x 406 x 214	500	500 × 10bags = 5,000
12P	V0016-94012-611	200 x 340	306 x 406 x 214	500	500 × 10bags = 5,000
16P	V0016-94016-611	200 x 340	306 x 406 x 214	500	500 × 10bags = 5,000
20P	V0016-92020-611	260 x 380	306 x 406 x 214	500	500 × 10bags = 5,000

3. Label



- ① Part number
- ② Quantity
- ③ Ten digits product lot number

Y	Y	M	M	D	D	#	#	#	#
Year		Month		Day		Note 1			

Note 1: Code for plant usage.

- ④ Product name (abbr.)
- ⑤ QR code
- ⑥ Check stamp
- ⑦ Country of origin
- ⑧ Recycle mark and compliance mark

4. Packing method

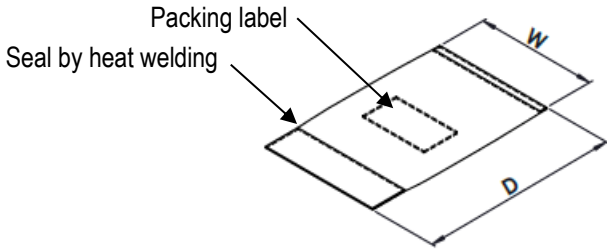


Fig1. Packing bag

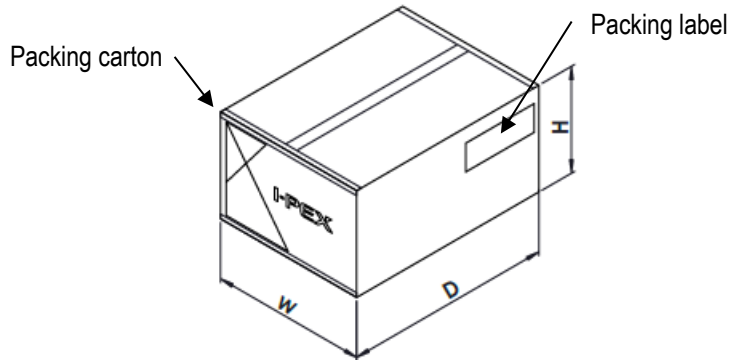


Fig 2. Packing carton

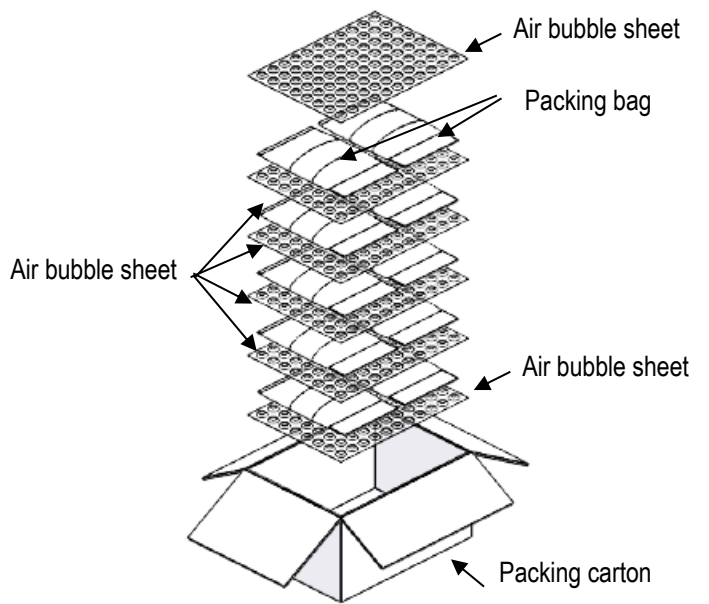


Fig 3. FEMALE HOUSING REAR COVER