

ISH® CONNECTOR MALE ASS'Y

Packing Standard

11	RS0899	April 26, 2022	Tsusu	T.Takeda	J.Tateishi
10	RS0862	September 17, 2021	Y.Takagi	T.Takeda	J.Tateishi
9	RS0817	March 15, 2021	Y.Hosokawa	S.Tono	J.Tateishi
8	RS0774	November 25, 2020	S.Tono	J.Tateishi	E.Kawabe
Rev.	ECN	Date	Prepared by	Checked by	Approved by

1. Product name(s) and part number(s)

Product Name	Part number	Key coding	Lock type
ISH CONNECTOR 3P MALE ASS'Y	V0012-003E-001	A	Normal
ISH CONNECTOR 6P MALE ASS'Y	V0010-006E-001	A	Normal
	V0010-006E-002	B	Normal
ISH CONNECTOR 8P MALE ASS'Y	V0015-008E-002	A	Inertia
	V0015-008E-003	B	Inertia
	V0015-008E-004	C	Inertia
	V0015-008E-005	D	Inertia
ISH CONNECTOR 12P MALE ASS'Y	V0015-012E-001	A	Normal
	V0015-012E-003	B	Normal
	V0015-012E-004	C	Inertia
	V0015-012E-005	D	Inertia
	V0015-012E-006	B	Inertia
ISH CONNECTOR 16P MALE ASS'Y	V0015-016E-001	-	Inertia
ISH CONNECTOR 20P MALE ASS'Y	V0015-020E-001	-	Inertia
ISH CONNECTOR 32P MALE ASS'Y	V0015-032E-001	-	Normal

2. Packing material and part number

Poles	Part number V00##-0**E-00*	Emboss tape		Reel		Packing carton
		Width	Thickness	Diameter	Width	Outer dimension
		[mm]	[mm]	[mm]	[mm]	(W×D×H) [mm]
3P (1row)	V0012-003E-001	32	8.4	380	36	406 x 406 x 214
6P (2rows)	V0010-006E-00*	32	11.3	380	36	406 x 406 x 214
8P (2rows)	V0015-008E-00*	32	11.3	380	36	406 x 406 x 214
12P (2rows)	V0015-012E-00*	44	11.3	380	48	406 x 406 x 214
16P (2rows)	V0015-016E-001	44	11.3	380	48	406 x 406 x 214
20P (2rows)	V0015-020E-001	44	11.3	380	48	406 x 406 x 214
32P (2rows)	V0015-032E-001	56	11.3	380	60	406 x 406 x 214

3. Packing quantity

Poles	Pieces per reel [pcs]	Quantity per packing carton [pcs]
3P (1row)	450	450 × 4 reels = 1,800
6P (2rows)	300	300 × 4 reels = 1,200
8P (2rows)	300	300 × 4 reels = 1,200
12P (2rows)	300	300 × 3 reels = 900
16P (2rows)	300	300 × 3 reels = 900
20P (2rows)	300	300 × 3 reels = 900
32P (2rows)	300	300 × 3 reels = 900

4. Label

- ① Part number
- ② Quantity
- ③ Ten digits product lot number

Y	Y	M	M	D	D	#	#	#	#
Year		Month		Day		Note 1			

Note 1: Code for I-PEX usage.

- ④ Product name (abbr.)
- ⑤ QR code
- ⑥ Check stamp
- ⑦ Country of origin
- ⑧ Recycle mark and compliance mark
- ⑨ Internal Management Number-1 (reel only)
- ⑩ Internal Management Number-2 (reel only)

5. Packing style

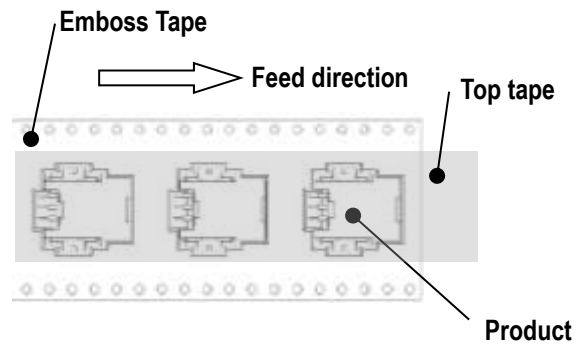
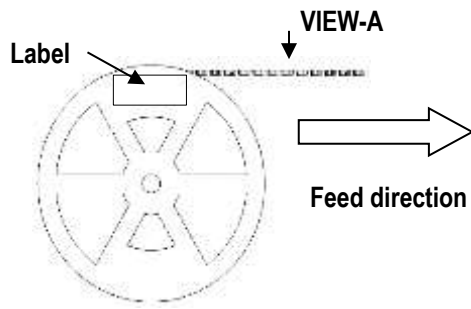


Fig1. Emboss tape & reel

View-A : Feed direction

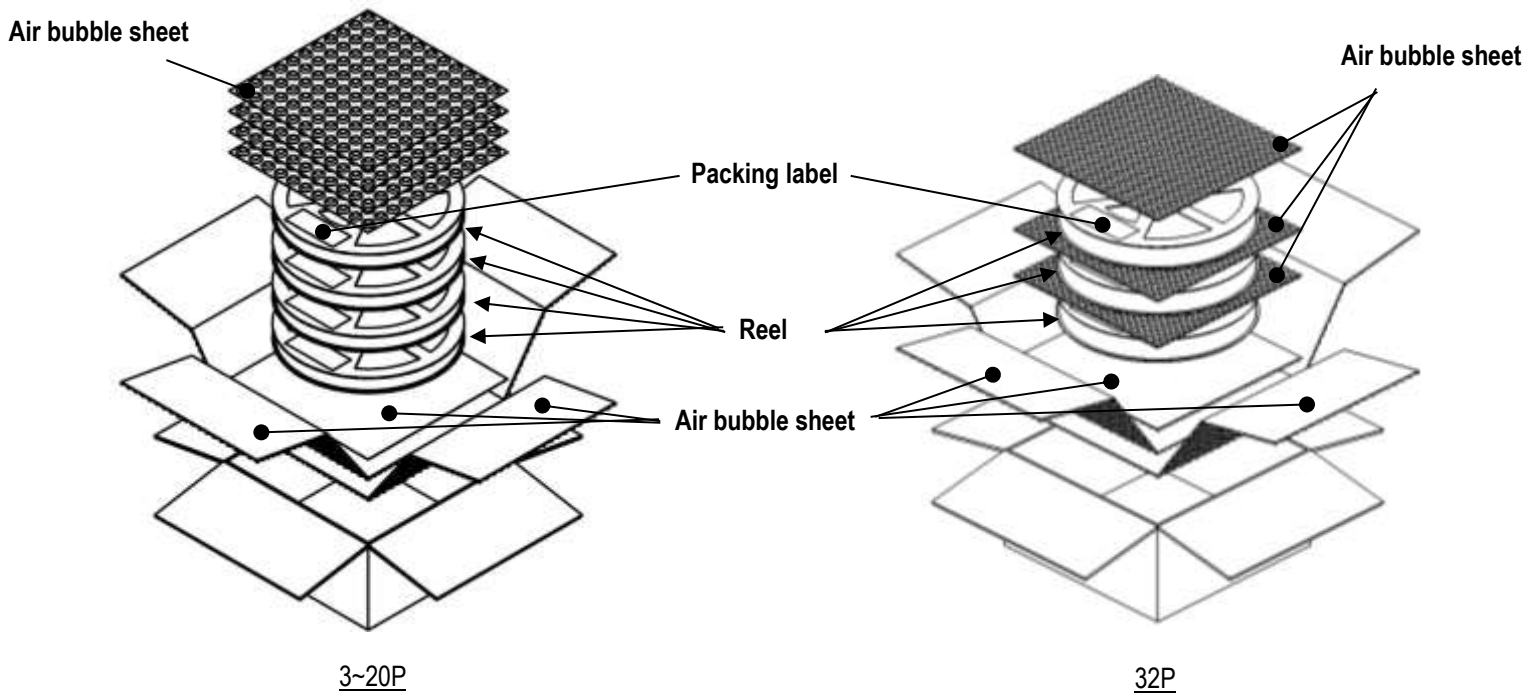
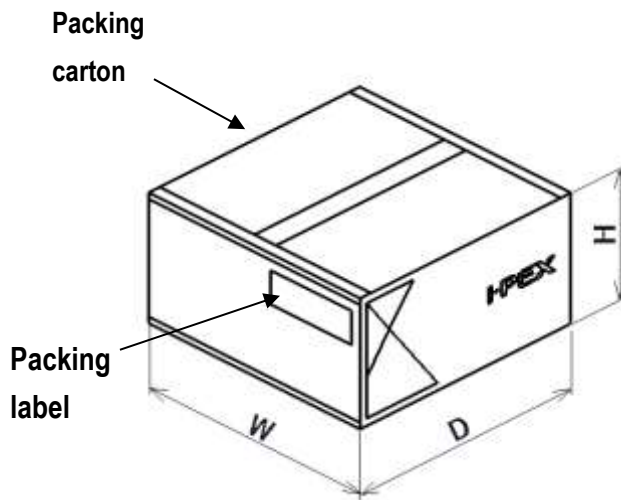


Fig2. Packing style