

ISH[®] CONNECTOR FEMALE HOUSING CABLE COVER

梱包規格

| | | | | | |
|------|--------|------------------|-------------|------------|-------------|
| 4 | RS0742 | November 9, 2020 | S.Tono | J.Tateishi | E.Kawabe |
| 3 | RS0602 | June 03, 2019 | K.Tsusu | J.Tateishi | E.Kawabe |
| 2 | RS0503 | June 22, 2018 | S.Tanaka | T.Osuga | E.Kawabe |
| 1 | RS0305 | August 22, 2016 | K.Hanaki | J.Mukunoki | T.Endo |
| Rev. | ECN | Date | Prepared by | Checked by | Approved by |

1. 製品名称及び品番

1-1. ISH CONNECTOR FEMALE HOUSING CABLE COVER

| 極数 | 品番 | Key coding |
|----|-----------------|------------|
| 3P | V0013-92003-211 | Natural |
| 6P | V0011-93006-211 | Natural |
| | V0011-93006-212 | Black |

2. 梱包形式/梱包数量

2-1. ISH CONNECTOR FEMALE HOUSING CABLE COVER

| 極数 | 品番 | 袋 | 梱包箱 | 梱包数/袋 [個] | 梱包数/箱 [個] |
|----|-----------------|--------------|-----------------|--------------|--------------------|
| | | 外寸(W×D) [mm] | 外寸(W×D×H) [mm] | | |
| 3P | V0013-92003-211 | 200 x 340 | 306 x 206 x 214 | 1,000 | 1,000 × 5袋 = 5,000 |
| 6P | V0011-93006-21* | 200 x 340 | 306 x 206 x 214 | 1,000 | 1,000 × 5袋 = 5,000 |

3. 現品票

| | | | |
|----------------|---------|--------|---|
| P/N | ① | CHECK | ⑧ |
| Q' TY | ② PC | ⑥ | |
| LOT | ③ | | |
| ⑤ | NAME: ④ | REMARK | |
| MADE IN *****⑦ | | I-PEX | |

- ① 品番
- ② 梱包数
- ③ ロット番号

| Y | Y | M | M | D | D | # | # | # | # |
|---|---|---|---|---|---|------|---|---|---|
| 年 | | 月 | | 日 | | 注記 1 | | | |

注記 1: 工場使用番号

- ④ 製品名称 (略称)
- ⑤ QR Code
- ⑥ 確認印
- ⑦ 原産国
- ⑧ リサイクルマーク及びコンプライアンスマーク

4. 梱包形態

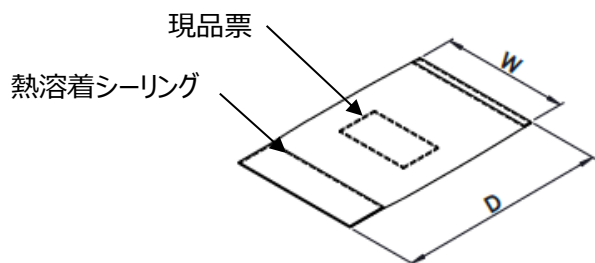


図 1. 梱包袋

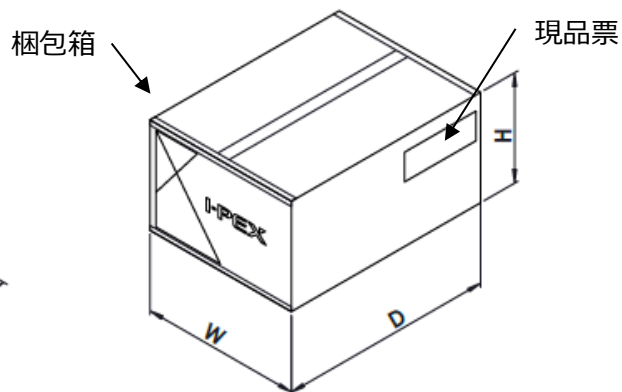


図 2. 梱包箱

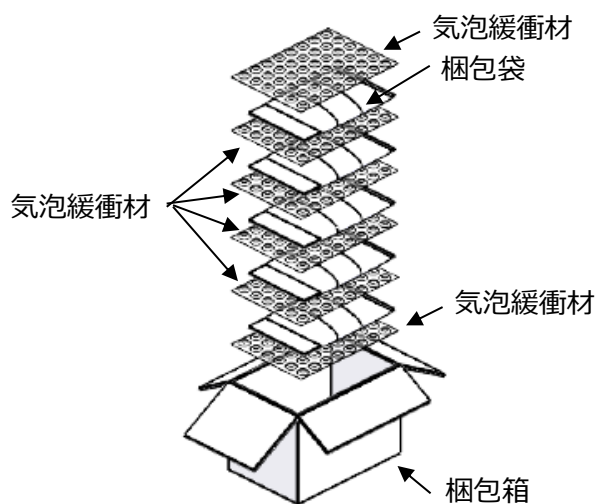


図 3. 梱包形態