

# ISH<sup>®</sup> CONNECTOR FEMALE HOUSING CABLE COVER

## Packing Standard

|      |        |                  |             |            |             |
|------|--------|------------------|-------------|------------|-------------|
| 4    | RS0742 | November 9, 2020 | S.Tono      | J.Tateishi | E.Kawabe    |
| 3    | RS0602 | June 03, 2019    | K.Tsusu     | J.Tateishi | E.Kawabe    |
| 2    | RS0503 | June 22, 2018    | S.Tanaka    | T.Osuga    | E.Kawabe    |
| 1    | RS0305 | August 22, 2016  | K.Hanaki    | J.Mukunoki | T.Endo      |
| Rev. | ECN    | Date             | Prepared by | Checked by | Approved by |

## 1. Product name(s) and part number(s)

### 1-1. ISH CONNECTOR FEMALE HOUSING CABLE COVER

| Poles | Part number     | Color   |
|-------|-----------------|---------|
| 3P    | V0013-92003-211 | Natural |
| 6P    | V0011-93006-211 | Natural |
|       | V0011-93006-212 | Black   |

## 2. Packing material and quantity

### 2-1. ISH CONNECTOR FEMALE HOUSING CABLE COVER

| Poles | Part number     | Packing bag                | Packing carton               | Pieces per packing bag [pcs] | Quantity per packing carton [pcs] |
|-------|-----------------|----------------------------|------------------------------|------------------------------|-----------------------------------|
|       |                 | Outer dimension (W×D) [mm] | Outer dimension (W×D×H) [mm] |                              |                                   |
| 3P    | V0013-92003-211 | 200 x 340                  | 306 x 206 x 214              | 1,000                        | 1,000 × 5bags = 5,000             |
| 6P    | V0011-93006-21* | 200 x 340                  | 306 x 206 x 214              | 1,000                        | 1,000 × 5bags = 5,000             |

## 3. Label

- ① Part number
- ② Quantity
- ③ Ten digits product lot number

| Y    | Y | M     | M | D   | D | #      | # | # | # |
|------|---|-------|---|-----|---|--------|---|---|---|
| Year |   | Month |   | Day |   | Note 1 |   |   |   |

Note 1: Code for plant usage.

- ④ Product name (abbr.)
- ⑤ QR code
- ⑥ Check stamp
- ⑦ Country of origin
- ⑧ Recycle mark and compliance mark

4. Packing method

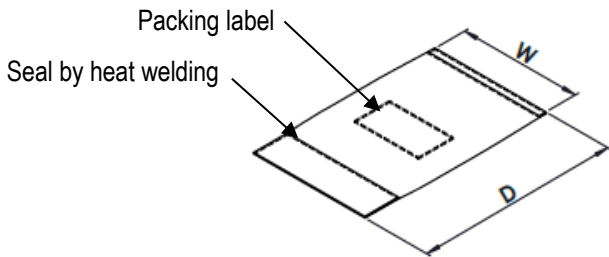


Fig1. Packing bag

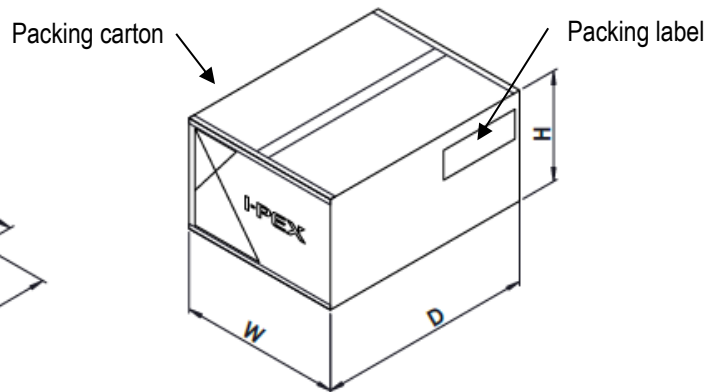


Fig 2. Packing carton

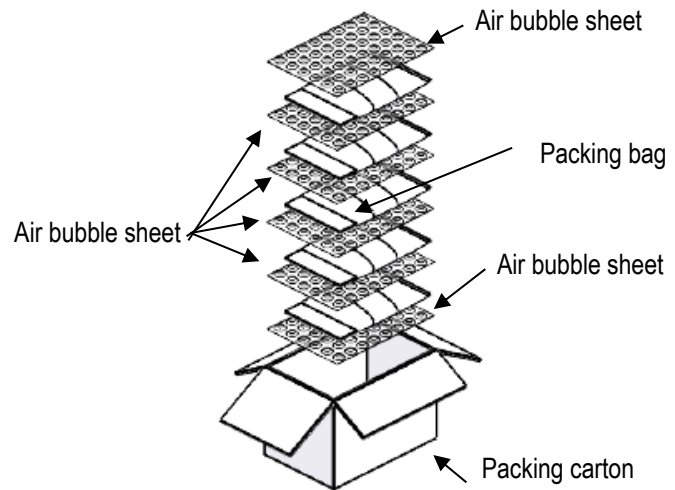


Fig 3. Packing style