

IARPB[®] CONNECTOR TERMINAL

Packing Standard

0	RS0949	Apr. 21, 2023	T.Hoshino	M.Muta	J.Tateishi
Rev.	ECN	Date	Prepared by	Checked by	Approved by

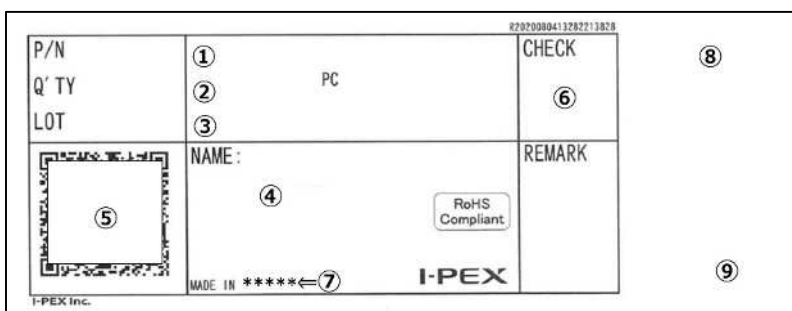
1. Product name(s) and part number(s)

Product name	Part number
IARPB CONNECTOR TERMINAL	V0125-71001-01

2. Packing material and quantity

Part number	Reel		Separating paper	Packing carton	Pieces per reel	Quantity per packing carton
	Diameter	Width	Width	Outer dimension	[pin]	[pin]
	[mm]	[mm]	[mm]	(W×D×H) [mm]		
V0125-71001-01	610	22	20	630 x 620 x 170	14,000	14,000 × 4 reel = 56,000

3. Label



- ① Part number
- ② Quantity
- ③ Product lot number

Y	Y	M	M	D	D	#	#	#	#
Year		Month		Day		Note 1			

Note 1: Code for plant usage.

- ④ Product name
- ⑤ QR code
- ⑥ Check stamp
- ⑦ Country of origin
- ⑧ Recycle mark and compliance mark
- ⑨ Reel number

※Number of joints must be indicated on the label (for reel).

The joints are 2 max per reel.

Indicate "JOINT" in REMARK section.

4. Packing method

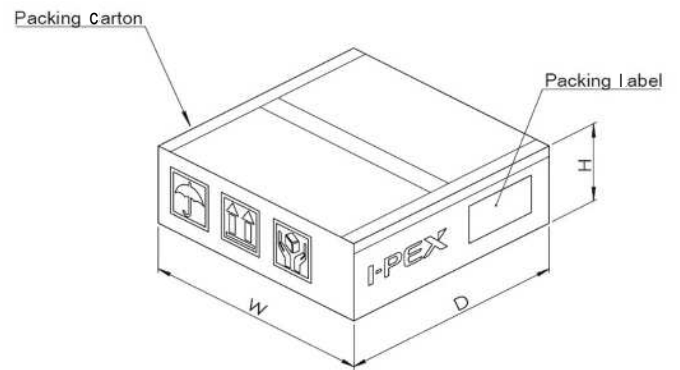
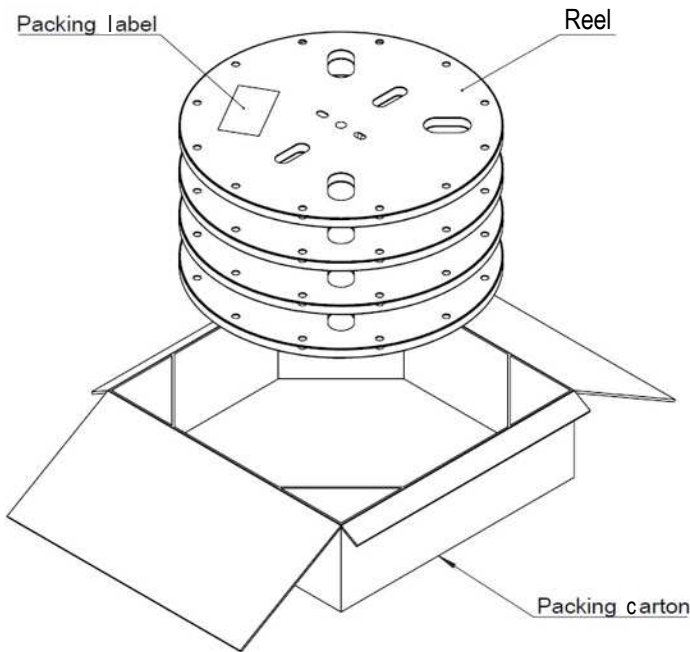
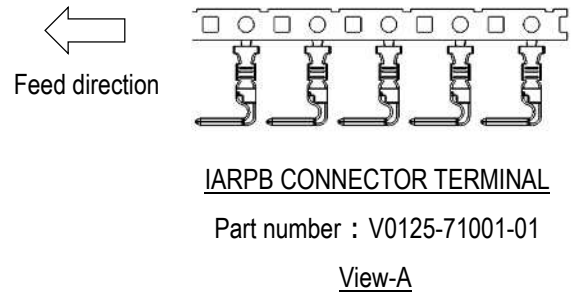
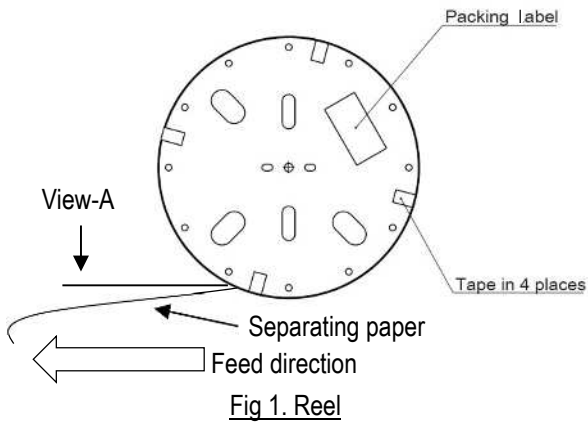


Fig 2. Packing style