

IARPB® CONNECTOR HOUSING

Packing Standard

0	RS0949	Apr. 21, 2023	T.Hoshino	M.Muta	J.Tateishi
Rev.	ECN	Date	Prepared by	Checked by	Approved by

1. Product name(s) and part number(s)

IARPB CONNECTOR HOUSING

Poles	Part number	Color
2P	V0125-91002-01	Natural
3P	V0125-91003-01	Natural
4P	V0125-91004-01	Natural
5P	V0125-91005-01	Natural
6P	V0125-91006-01	Natural

2. Packing material and quantity

Poles	Part number	Packing bag	Packing carton		Pieces per packing bag [pcs]	Quantity per packing carton	
		Outer dimension	Outer dimension	P/N		[pcs]	
		(W×D) [mm]	(W×D×H) [mm]				
2P	V0125-91002-01	165 x 270	206 x 306 x 214	V0094-P1001-001	1,000	1,000 × 10bags = 10,000	
3P	V0125-91003-01	165 x 270	206 x 306 x 214	V0094-P1001-001	1,000	1,000 × 10bags = 10,000	
4P	V0125-91004-01	165 x 270	206 x 306 x 214	V0094-P1001-001	1,000	1,000 × 10bags = 10,000	
5P	V0125-91005-01	200 x 340	306 x 406 x 214	V0094-P1001-002	1,000	1,000 × 10bags = 10,000	
6P	V0125-91006-01	200 x 340	306 x 406 x 214	V0094-P1001-002	1,000	1,000 × 10bags = 10,000	

3. Label

P/N	①	PC	CHECK	⑧
Q' TY	②		⑥	
LOT	③			
⑤	NAME :		REMARK	
	④	RoHS Compliant		
	MADE IN *****←	I-PEX		
		⑦		

- ① Part number
- ② Quantity
- ③ Product lot number

Y	Y	M	M	D	D	#	#	#	#
Year		Month		Day		Note 1			

Note 1: Code for plant usage.

- ④ Product name (addr.)
- ⑤ QR code
- ⑥ Check stamp
- ⑦ Country of origin
- ⑧ Recycle mark and compliance mark

4. Packing Method

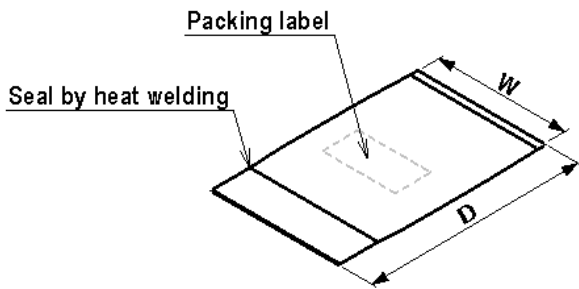


Fig1. Packing Bag

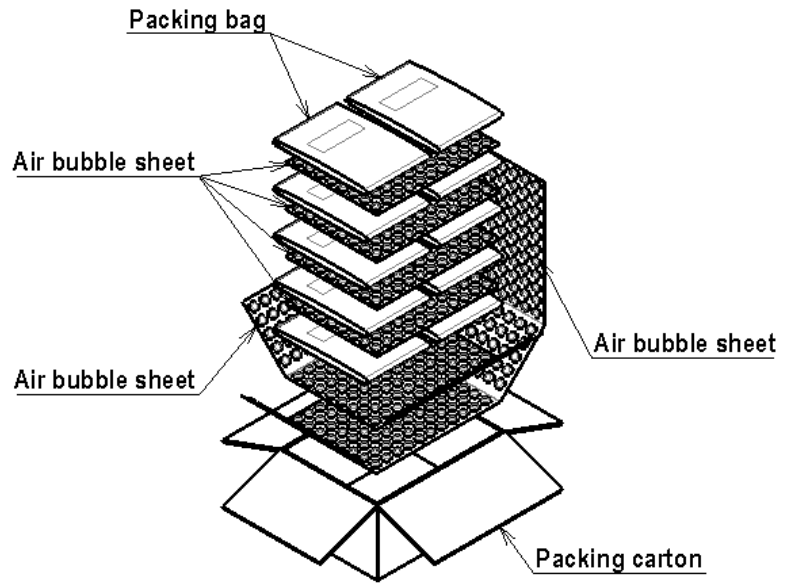


Fig.2. Type of packing

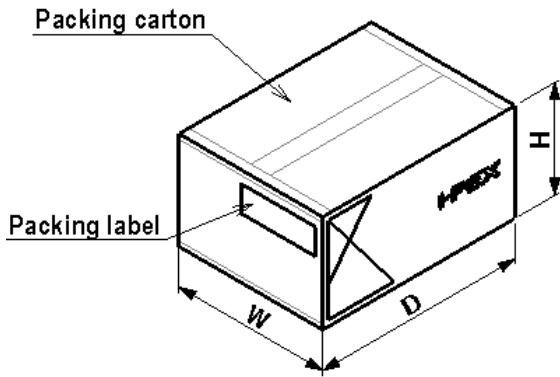


Fig.3. Packing Carton