

# CABLINE® HARNESS

Part No. 8\*\*\*\*-\*\*\*\*-\*\*, 8\*\*\*\*-\*\*\*\*-\*\*-\*

## Packing Standard

21	S26137	April 20, 2026	K. Baba	R. Takei	T.Masunaga
20	S26021	January 16, 2026	K. Baba	R. Takei	T.Masunaga
19	S25443	November 10, 2025	K. Baba	R. Takei	H.Ikari
18	S25380	September 12, 2025	R.Takei	-	H.Ikari
Rev.	ECN	Date	Prepared by	Checked by	Approved by

## 1. Product Name(s) and Part Number(s)

Product Name	Part Number
CABLINE HARNESS	8****_****_**、8****_****_**_*

『Configuration of the target item』

Table.1

Connector type	CABLINE- VS	CABLINE- VS II	CABLINE- SS	CABLINE- V	CABLINE- CA	CABLINE- CAP	CABLINE- CAL	CABLINE- CA II	CABLINE- CA II PLUS	CABLINE- UM	CABLINE- UA II	CABLINE- UA III	CABLINE- UX II	CABLINE- CX II	CABLINE- F
Pitch	0.50 mm	0.50 mm	0.40 mm	0.40 mm	0.40 mm	0.40 mm	0.40 mm	0.40 mm	0.40 mm	0.40mm	0.30 mm	0.30 mm	0.25 mm	0.25 mm	1.25 mm
Pos.	10	-	-	○	○	○	-	-	-	-	-	-	-	-	-
	12	-	-	-	-	○	-	-	-	-	-	-	-	-	-
	14	-	-	○	-	-	-	-	-	-	-	-	-	-	-
	15	-	-	-	○	-	-	-	-	-	-	-	-	-	-
	20	○	○	○	○	○	-	-	○	-	○	-	-	-	○
	25	-	-	-	○	-	-	-	-	-	-	-	-	-	-
	26	-	-	-	○	-	-	-	-	-	-	○	○	-	-
	30	○	○	○	○	○	-	○	○	-	○	-	-	○	-
	32	-	-	○	-	-	-	-	-	-	-	○	○	-	-
	34	-	-	-	-	-	-	-	-	-	-	-	-	○	-
	35	-	-	○	○	-	-	-	-	-	-	-	-	-	-
	40	○	○	○	○	○	-	○	○	-	○	○	-	○	○
	50	○	-	○	-	○	○	-	○	-	○	○	-	○	-
	60	-	-	-	-	○	-	-	-	○	○	-	-	-	-
70	-	-	-	-	-	-	-	-	-	○	-	-	-	-	

## 2. Packing Material and Part Number

Table.2

Cable length L [ mm ]	Small Bag	Shipping Carton	Packing Carton
	Outer Dimension	Outer Dimension	Outer Dimension
	W×D	W×D×H	W×D×H
$25 \leq L \leq 3000$	-	385 × 175 × 90	406 × 406 × 214

※Part number: 81863-100B-0\* do not apply to this packing material. (Refer to Table.3)

Table.3

Part Number	Cable length L [ mm ]	Separated Bag	Shipping Carton	Packing Carton
		Outer Dimension	Outer Dimension	Outer Dimension
		W×D×H	W×D×H	W×D×H
81863-100B-01	250	A x 285 x 0.05	385 x 175 x 90	406 x 406 x 214
81863-100B-02	500			

Caution: A depends on the harness length.

## 3. Packing Quantity

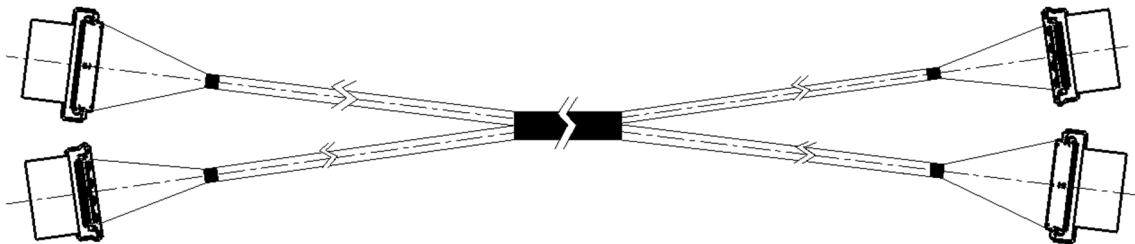
Table.4 【For items except part number : 81863-100B-0\*】

Cable Length L [ mm ]	Pieces per Small Bag	Pieces per Shipping Carton	Quantity Per Packing Carton ( 4 shipping carton )
$25 \leq L \leq 250$	5	250	$250 \times 4 = 1000$
$250 < L \leq 500$	5	125	$125 \times 4 = 500$
$500 < L \leq 800$	1	100	$100 \times 4 = 400$
$800 < L \leq 1100$	1	60	$60 \times 4 = 240$
$1100 < L \leq 1500$	1	40	$40 \times 4 = 160$
$1500 < L \leq 3000$	1	25	$25 \times 4 = 100$

(Caution) Harness with special shape such as bundled dual harness and multiple-ended harness is NOT applicable to packing quantity as shown the table above.

< Bundled dual harness >

An example is shown as below.



< Multiple-ended harness >

An example is shown as below.

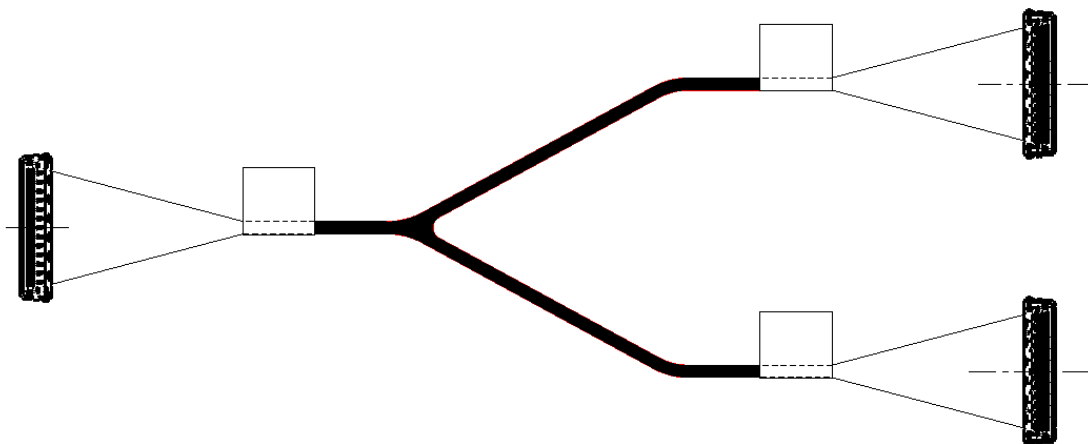




Table.5 【For part number : 81863-100B-0\* only】

Cable Length L [ mm ]	Pieces per Separated Bag	Pieces per Shipping Carton	Quantity Per Packing Carton ( 4 shipping carton )
250	10 max.	100 max.	100 × 4 = 400 max.
500			

## 4. Label

4.1 Put a label on the designated place of S CARTON and P CARTON.

P/N	①	CHECK
QTY	②	⑥
LOT	③	
 ⑤ ⑨	NAME: ④	REMARK
	MADE IN ***** ← ⑦  ⑧	

- ① Part Number
- ② Quantity
- ③ Ten Digits Product Lot Number

Y	Y	M	M	D	D	#	#	#	#
Year		Month		Day		Four Digit Code for I-PEX usage			

- ④ Product Name
- ⑤ QR Code
- ⑥ Check Stamp
- ⑦ Country of Origin
- ⑧ Logo Mark
- ⑨ Manufacture Name

## 5. Packing style

Table.6 【For items except part number : 81863-100B-0\*】

Cable length L [ mm ]	Small Bag	One shipping carton & One packing carton
$25 \leq L \leq 500$	Fig.1	Fig. 3, 4, 5, 6, 7, 8
$500 < L \leq 3000$	Fig.2	

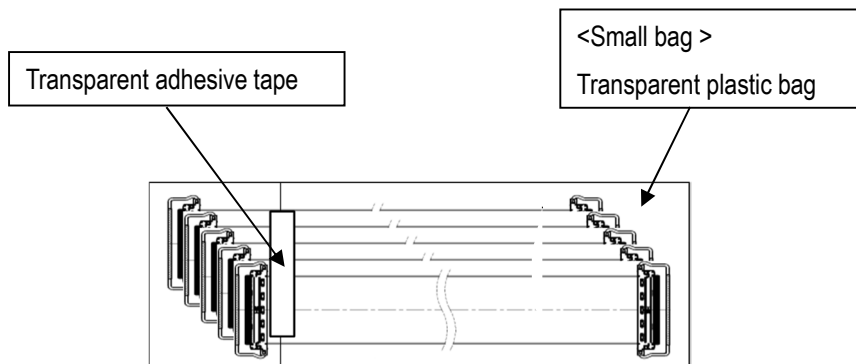


Fig.1 (5pcs.per small bag)

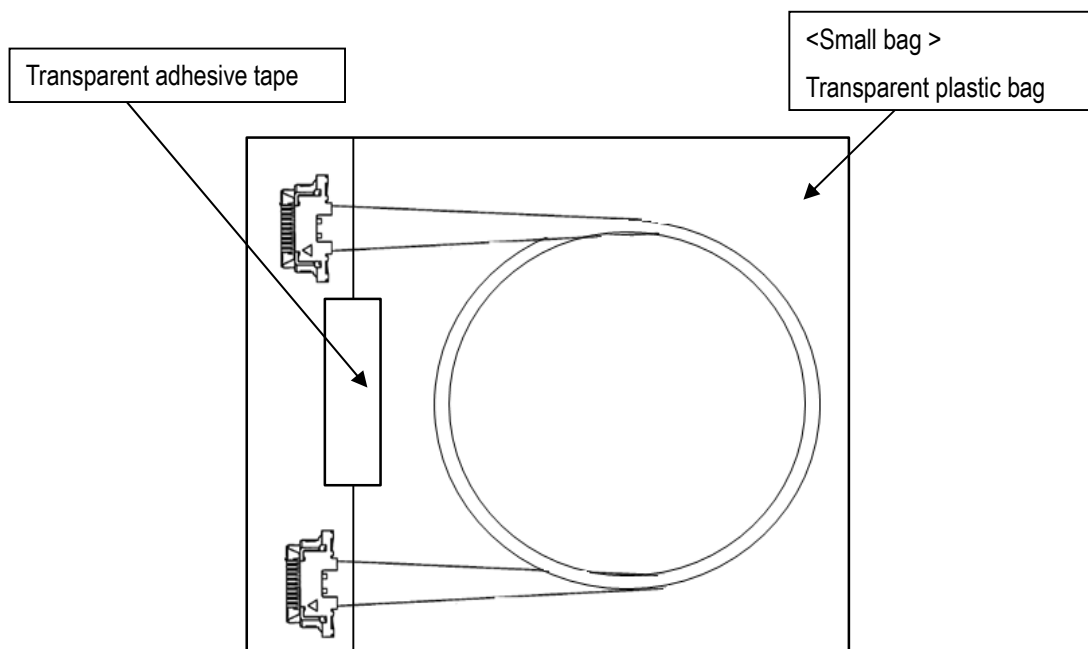


Fig.2 (1pcs. per small bag)

Table.7 【For part number : 81863-100B-0\* only】

Cable length L [ mm ]	Separated Bag	One shipping carton & one packing carton
250	Fig.1	Fig.2, 3, 4, 5, 6, 7
500		

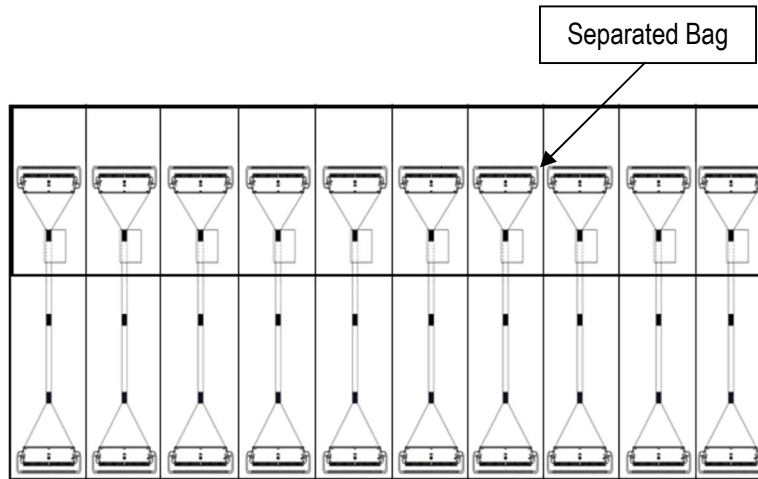


Fig.3

## 6. Packing method

### 6-1. Packing method to put products into the shipping carton

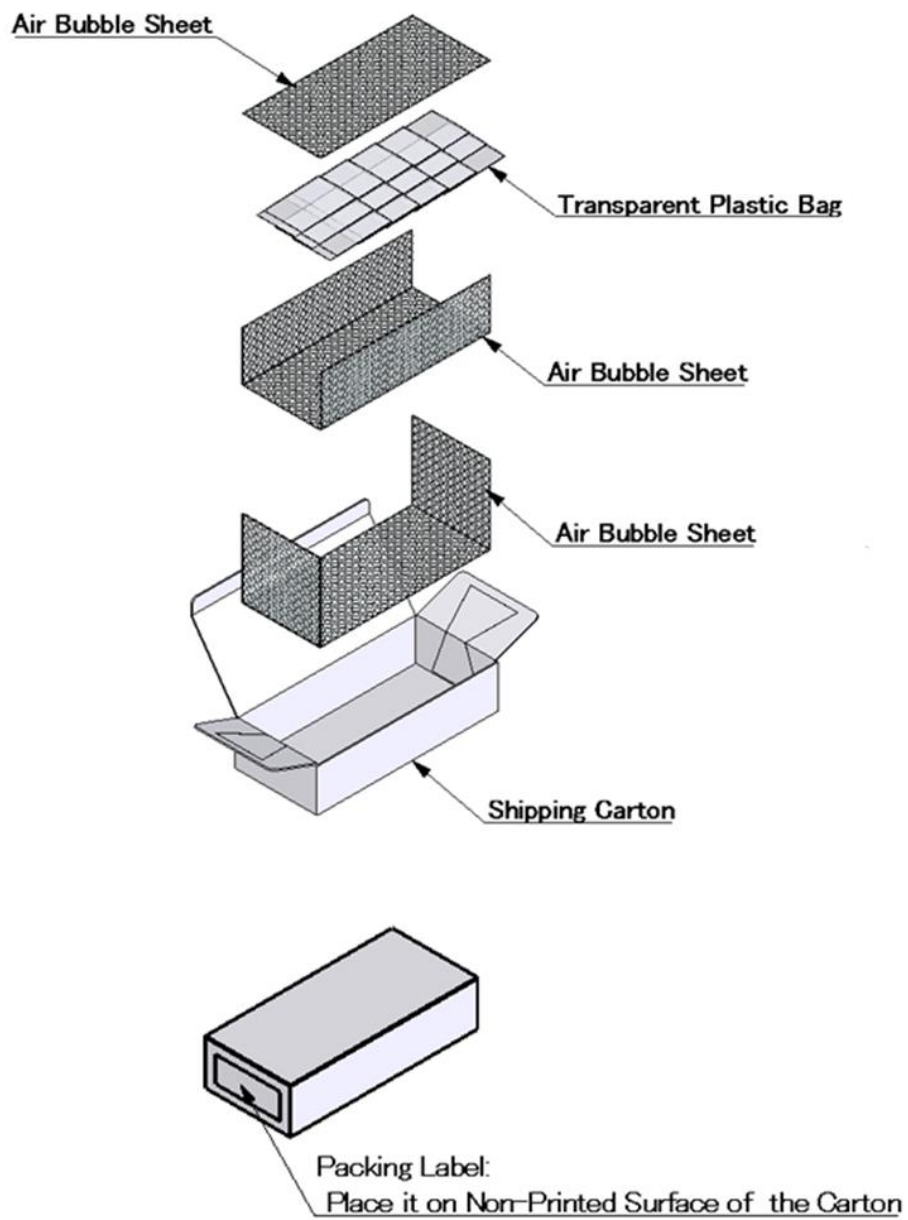


Fig.4

## 6-2. Packing method to pack Shipping carton into Packing carton

- ① At one shipping carton  
(Quantity : **A** [ pcs. ])

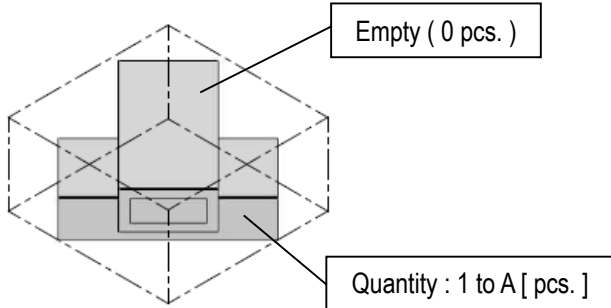


Fig.5

- ② At two shipping carton  
(Quantity : **B** [ pcs. ])

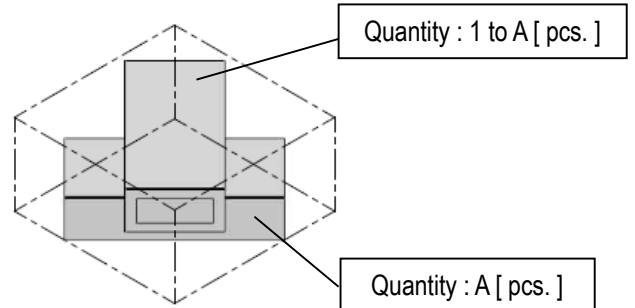


Fig.6

- ③ At three shipping carton  
(Quantity : **C** [ pcs. ])

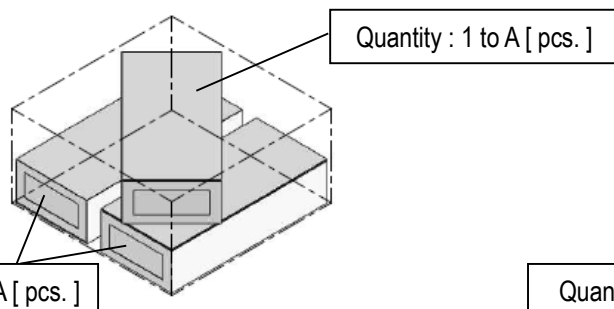


Fig.7

- ④ At four shipping carton  
(Quantity : **D** [ pcs. ])

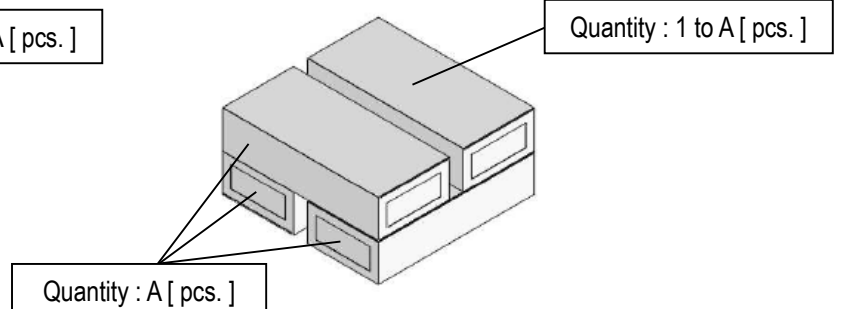


Fig.8

Table.8 【For items except part number : 81863-100B-0\*】

Cable Length L [ mm ]	①Quantity of A [ pcs. ]	②Quantity of B [ pcs. ]	③Quantity of C [ pcs. ]	④Quantity of D [ pcs. ]
25 ≤ L ≤ 250	250	251 to 500	501 to 750	751 to 1000
250 < L ≤ 500	125	126 to 250	251 to 375	376 to 500
500 < L ≤ 800	100	101 to 200	201 to 300	301 to 400
800 < L ≤ 1100	60	61 to 120	121 to 180	181 to 240
1100 < L ≤ 1500	40	41 to 80	81 to 120	121 to 160
1500 < L ≤ 3000	25	26 to 50	51 to 75	76 to 100

Table.9 【For part number : 81863-100B-0\* only】

Cable Length L [ mm ]	①Quantity of A [ pcs. ]	②Quantity of B [ pcs. ]	③Quantity of C [ pcs. ]	④Quantity of D [ pcs. ]
250	100 max.	101 to 200 max.	201 to 300 max.	301 to 400 max.
500				

### 6-3. Packing method of packing carton

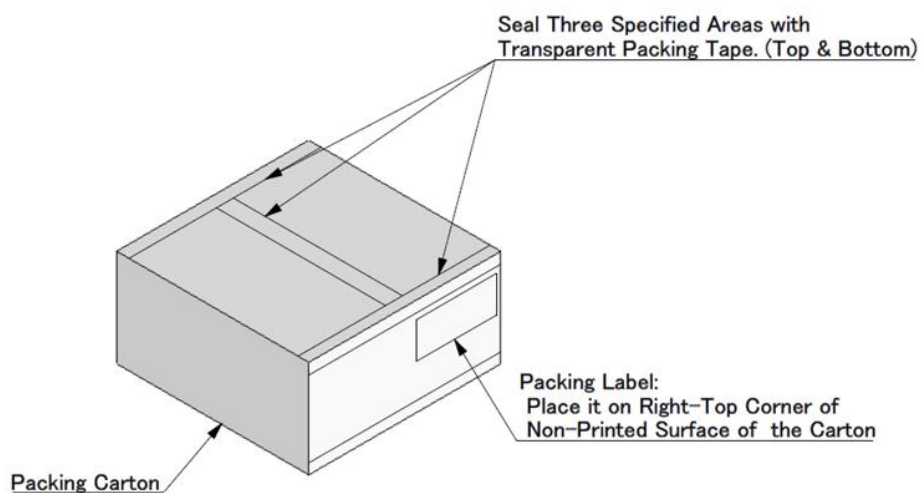


Fig.8