

# CABLINE® HARNESS

Part No. 8\*\*\*\*-\*\*\*\*-\*\*\*

## Packing Standard

15	S24279	July 5, 2024	K.Baba	-	H.Ikari
14	S21483	October 11, 2021	Y.Miyazaki	R.Takei	H.Ikari
13	S21374	August 17, 2021	R.Takei	-	H.Ikari
12	S21181	April 20, 2021	Y.Miyazaki	R.Takei	H.Ikari
Rev.	ECN	Date	Prepared by	Checked by	Approved by

## 1. Product Name(s) and Part Number(s)

Product Name	Part Number
CABLINE HARNESS	8****_****_***

『Configuration of the target item』

Table.1

Connector type	CABLINE-VS	CABLINE-VS II	CABLINE-SS	CABLINE-V	CABLINE-CA	CABLINE-CA II	CABLINE-CA II PLUS	CABLINE-UM	CABLINE-UA II	CABLINE-UA III	CABLINE-UX II	CABLINE-CX II	CABLINE-F	
Pitch	0.50 mm	0.50 mm	0.40 mm	0.40 mm	0.40 mm	0.40 mm	0.40 mm	0.40mm	0.30 mm	0.30 mm	0.25 mm	0.25 mm	1.25 mm	
Pos.	10	-	-	○	○	○	-	-	-	-	-	-	-	
	12	-	-	-	-	○	-	-	-	-	-	-	-	
	14	-	-	○	-	-	-	-	-	-	-	-	-	
	15	-	-	-	○	-	-	-	-	-	-	-	-	
	20	○	○	○	○	○	○	-	-	-	-	-	○	
	25	-	-	-	○	-	-	-	-	-	-	-	-	
	26	-	-	-	○	-	-	-	-	○	○	-	-	-
	30	○	○	○	○	○	○	-	○	-	-	○	-	-
	32	-	-	○	-	-	-	-	-	○	○	-	-	-
	34	-	-	-	-	-	-	-	-	-	-	○	-	-
	35	-	-	○	○	-	-	-	-	-	-	-	-	-
	40	○	○	○	○	○	○	-	○	○	-	○	○	-
	50	○	-	○	-	○	○	-	-	○	-	○	-	-
60	-	-	-	-	○	-	○	○	-	-	-	-	-	

## 2. Packing Material and Part Number



Cable length L [ mm ]	Small Bag	Shipping Carton	Packing Carton
	Outer Dimension	Outer Dimension	Outer Dimension
	W×D	W×D×H	W×D×H
50 ≤ L ≤ 2000	-	385 × 175 × 90	406 x 406 x 214

### 3. Packing Quantity

Cable Length L [ mm ]	Pieces per Small Bag	Pieces per Shipping Carton	Quantity Per Packing Carton ( 4 shipping carton )
$50 \leq L \leq 250$	5 max.	250 max.	$250 \times 4 = 1000$ max.
$250 < L \leq 500$	5 max.	125 max.	$125 \times 4 = 500$ max.
$500 < L \leq 800$	1	100 max.	$100 \times 4 = 400$ max.
$800 < L \leq 1100$	1	60 max.	$60 \times 4 = 240$ max.
$1100 < L \leq 1500$	1	40 max.	$40 \times 4 = 160$ max.
$1500 < L \leq 2000$	1	25 max.	$25 \times 4 = 100$ max.

### 4. Label

4.1 Put a label on the designated place of S CARTON and P CARTON.

P/N	①	CHECK
QTY	②	⑥
LOT	③	
 ⑤	NAME: ④  MADE IN ***** ←⑦   ⑧	REMARK

⑨

- ① Part Number
- ② Quantity
- ③ Ten Digits Product Lot Number

Y	Y	M	M	D	D	#	#	#	#
Year		Month		Day		Four Digit Code for I-PEX usage			

- ④ Product Name
- ⑤ QR Code
- ⑥ Check Stamp
- ⑦ Country of Origin
- ⑧ Logo Mark
- ⑨ Manufacture Name

## 5. Packing style

Cable length L [ mm ]	Small Bag	One shipping carton & One packing carton
$50 \leq L \leq 500$	Fig.1	Fig. 3, 4, 5, 6, 7, 8
$500 < L \leq 2000$	Fig.2	

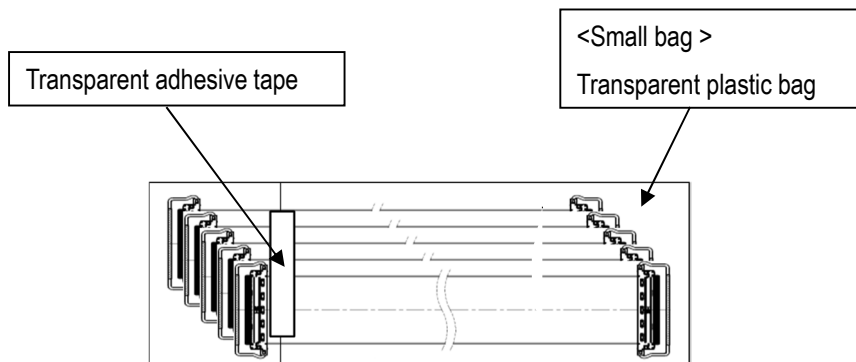


Fig.1 (5pcs. MAX. per small bag)

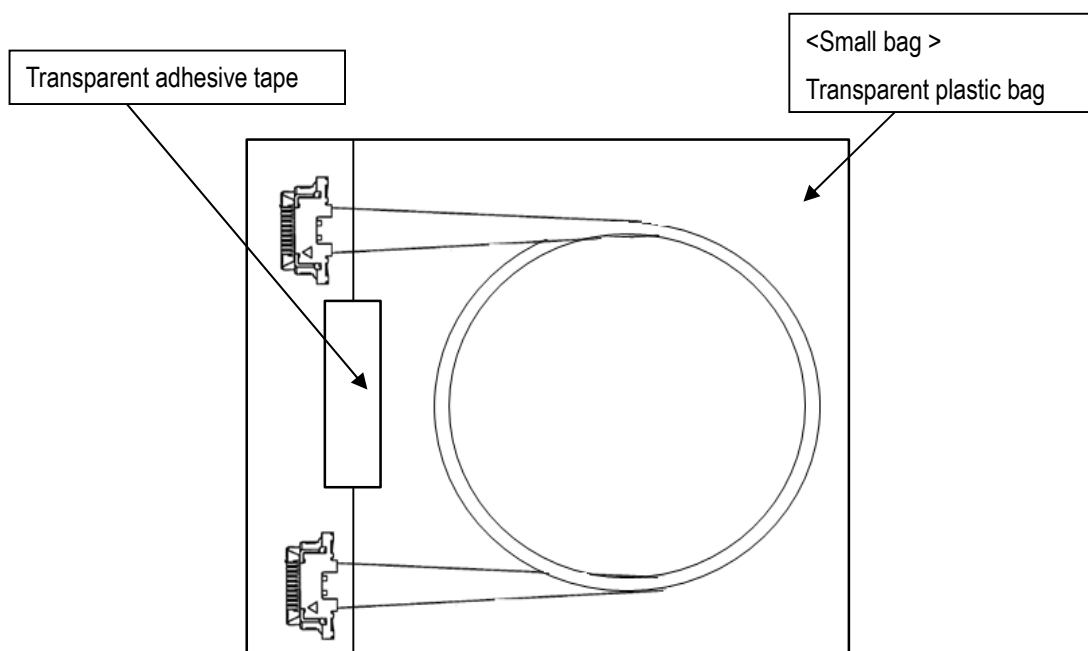


Fig.2 (1pcs. per small bag)

## 6. Packing method

### 6-1. Packing method to put products into the shipping carton

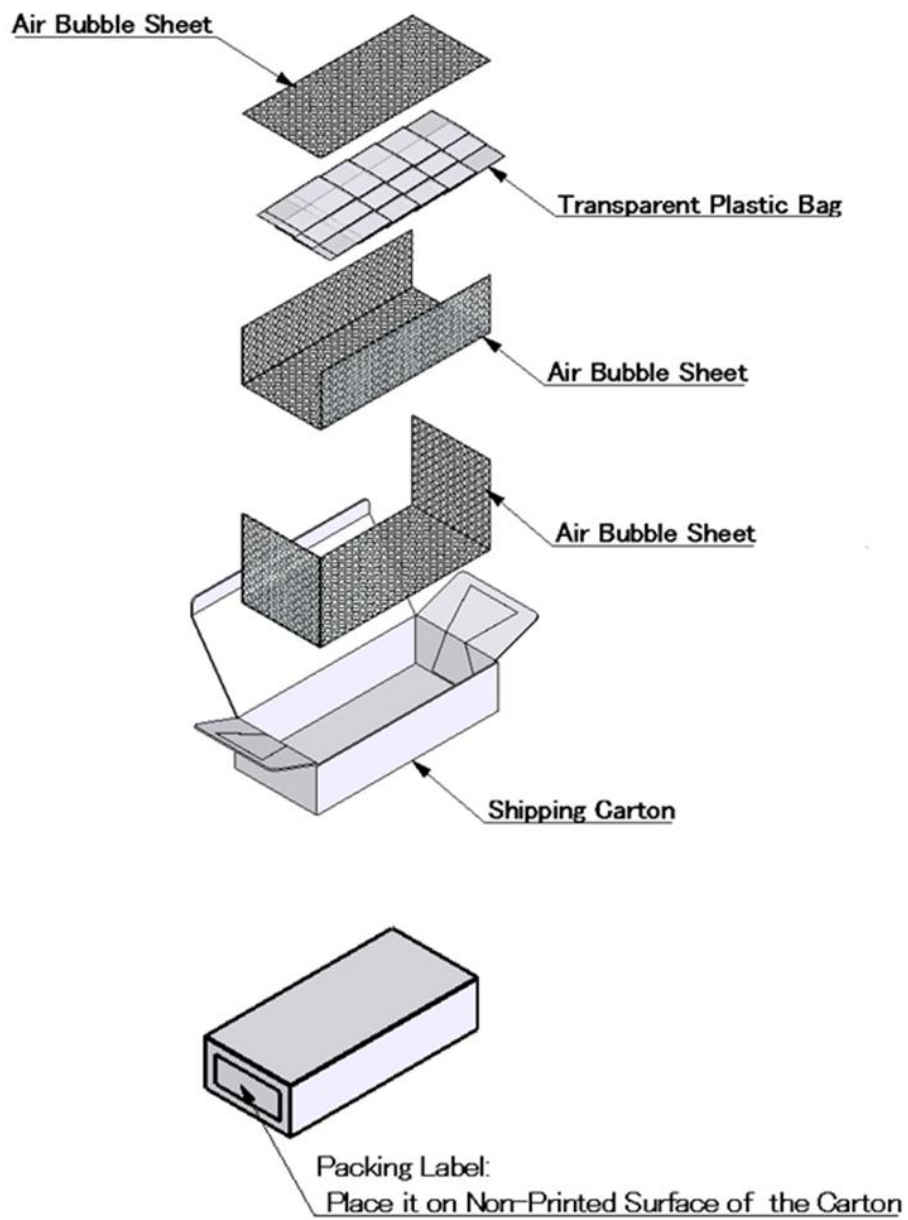


Fig.3

## 6-2. Packing method to pack Shipping carton into Packing carton

- ① At one shipping carton  
(Quantity : **A** [ pcs. ])

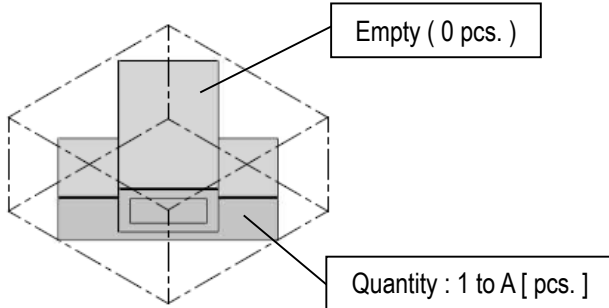


Fig.4

- ② At two shipping carton  
(Quantity : **B** [ pcs. ])

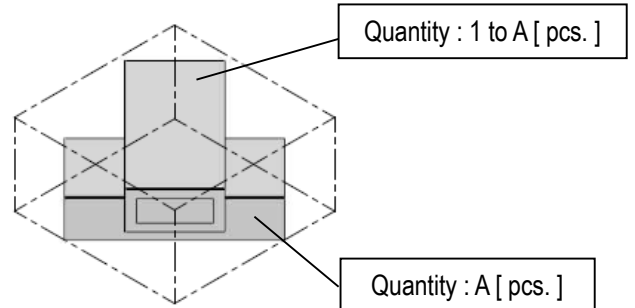


Fig.5

- ③ At three shipping carton  
(Quantity : **C** [ pcs. ])

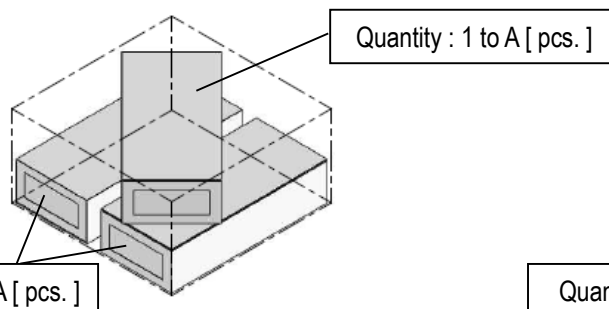


Fig.6

- ④ At four shipping carton  
(Quantity : **D** [ pcs. ])

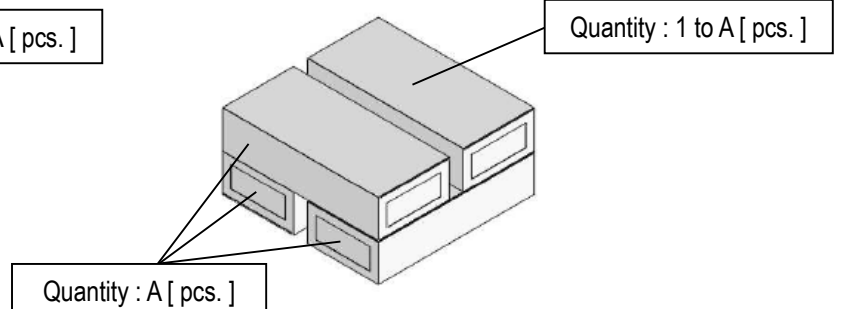


Fig.7

Cable Length L [ mm ]	①Quantity of A [ pcs. ]	②Quantity of B [ pcs. ]	③Quantity of C [ pcs. ]	④Quantity of D [ pcs. ]
$50 \leq L \leq 250$	250 max.	251 to 500 max.	501 to 750 max.	751 to 1000 max.
$250 < L \leq 500$	125 max.	126 to 250 max.	251 to 375 max.	376 to 500 max.
$500 < L \leq 800$	100 max.	101 to 200 max.	201 to 300 max.	301 to 400 max.
$800 < L \leq 1100$	60 max.	61 to 120 max.	121 to 180 max.	181 to 240 max.
$1100 < L \leq 1500$	40 max.	41 to 80 max.	81 to 120 max.	121 to 160 max.
$1500 < L \leq 2000$	25 max.	26 to 50 max.	51 to 75 max.	76 to 100 max.

## 6-3. Packing method of packing carton

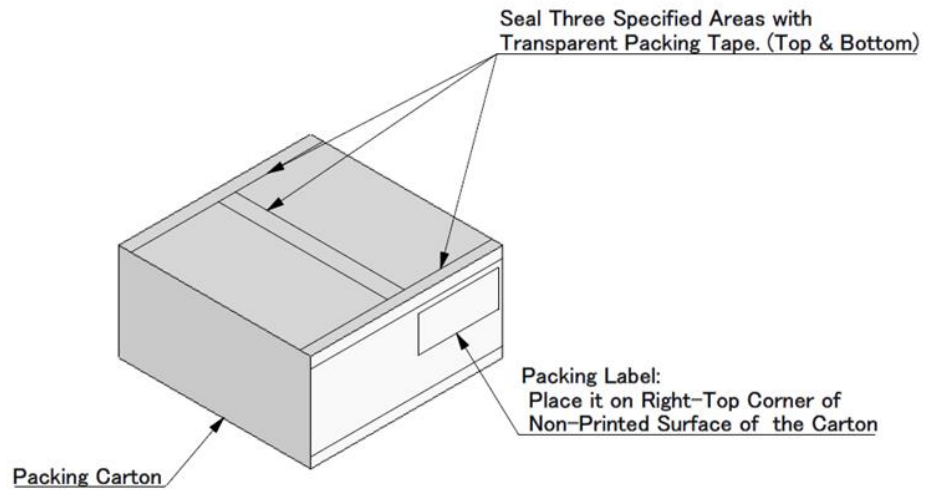


Fig.8