

CABLINE® HARNESS

Part No. 8****-****-***

Packing Standard

14	S21483	October 11, 2021	Y.Miyazaki	R.Takei	H.Ikari
13	S21374	August 17, 2021	R.Takei	-	H.Ikari
12	S21181	April 20, 2021	Y.Miyazaki	R.Takei	H.Ikari
11	S21124	March 18, 2021	Y.Miyazaki	R.Takei	H.Ikari
Rev.	ECN	Date	Prepared by	Checked by	Approved by

1. Product Name(s) and Part Number(s)

Product Name	Part Number
CABLINE HARNESS	8****_****_***

『Configuration of the target item』

Table.1

Connector type	CABLINE- VS	CABLINE- VS II	CABLINE- SS	CABLINE- V	CABLINE- CA	CABLINE- CA II	CABLINE- CA II PLUS	CABLINE- UM	CABLINE- UA II	CABLINE- UA III	CABLINE- UX II	CABLINE- CX II	CABLINE- F	
Pitch	0.50 mm	0.50 mm	0.40 mm	0.40 mm	0.40 mm	0.40 mm	0.40 mm	0.40mm	0.30 mm	0.30 mm	0.25 mm	0.25 mm	1.25 mm	
Pos.	10	-	-	○	○	○	-	-	-	-	-	-	-	
	12	-	-	-	-	○	-	-	-	-	-	-	-	
	14	-	-	○	-	-	-	-	-	-	-	-	-	
	15	-	-	-	○	-	-	-	-	-	-	-	-	
	20	○	○	○	○	○	○	-	-	-	-	-	○	
	25	-	-	-	○	-	-	-	-	-	-	-	-	
	26	-	-	-	○	-	-	-	-	○	○	-	-	-
	30	○	○	○	○	○	○	-	○	-	-	○	-	-
	32	-	-	○	-	-	-	-	-	○	-	-	-	-
	34	-	-	-	-	-	-	-	-	-	-	○	-	-
	35	-	-	○	○	-	-	-	-	-	-	-	-	-
	40	○	○	○	○	○	○	-	○	○	-	○	○	-
	50	○	-	○	-	○	○	-	-	○	-	○	-	-
60	-	-	-	-	○	-	○	-	-	-	-	-	-	

2. Packing Material and Part Number



Cable length L [mm]	Small Bag	Shipping Carton	Packing Carton
	Outer Dimension	Outer Dimension	Outer Dimension
	W×D	W×D×H	W×D×H
50 ≤ L ≤ 2000	-	385 × 175 × 90	406 x 406 x 214

3. Packing Quantity

Cable Length L [mm]	Pieces per Small Bag	Pieces per Shipping Carton	Quantity Per Packing Carton (4 shipping carton)
$50 \leq L \leq 250$	5 max.	250 max.	$250 \times 4 = 1000$ max.
$250 < L \leq 500$	5 max.	125 max.	$125 \times 4 = 500$ max.
$500 < L \leq 800$	1	100 max.	$100 \times 4 = 400$ max.
$800 < L \leq 1100$	1	60 max.	$60 \times 4 = 240$ max.
$1100 < L \leq 1500$	1	40 max.	$40 \times 4 = 160$ max.
$1500 < L \leq 2000$	1	25 max.	$25 \times 4 = 100$ max.

4. Label

4.1 Put a label on the designated place of S CARTON and P CARTON.

P/N	①	CHECK
QTY	②	⑥
LOT	③	
 ⑤	NAME: ④ MADE IN ***** ← ⑦  ⑧	REMARK
⑨		

- ① Part Number
- ② Quantity
- ③ Ten Digits Product Lot Number

Y	Y	M	M	D	D	#	#	#	#
Year		Month		Day		Four Digit Code for I-PEX usage			

- ④ Product Name
- ⑤ QR Code
- ⑥ Check Stamp
- ⑦ Country of Origin
- ⑧ Logo Mark
- ⑨ Manufacture Name

5. Packing style

Cable length L [mm]	Small Bag	One shipping carton & One packing carton
$50 \leq L \leq 500$	Fig.1	Fig. 3, 4, 5, 6, 7, 8
$500 < L \leq 2000$	Fig.2	

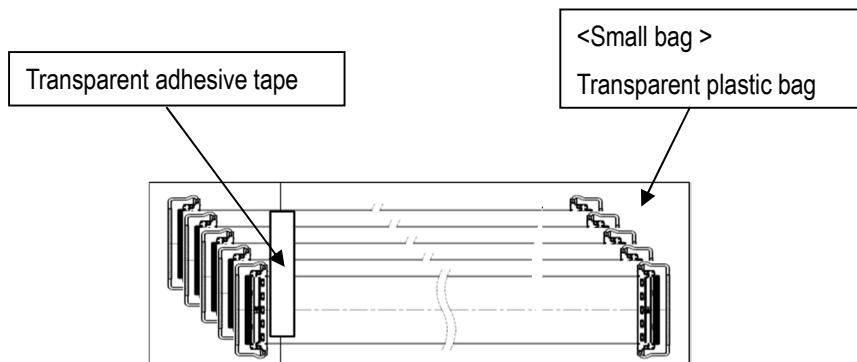


Fig.1 (5pcs. MAX. per small bag)

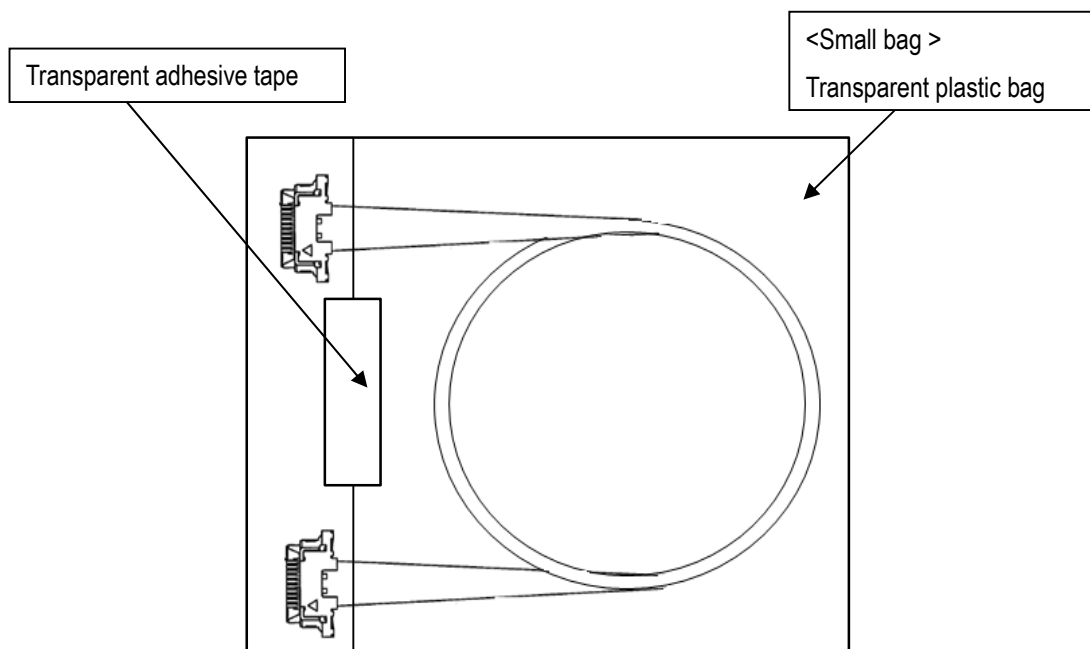


Fig.2 (1pcs. per small bag)

6. Packing method

6-1. Packing method to put products into the shipping carton

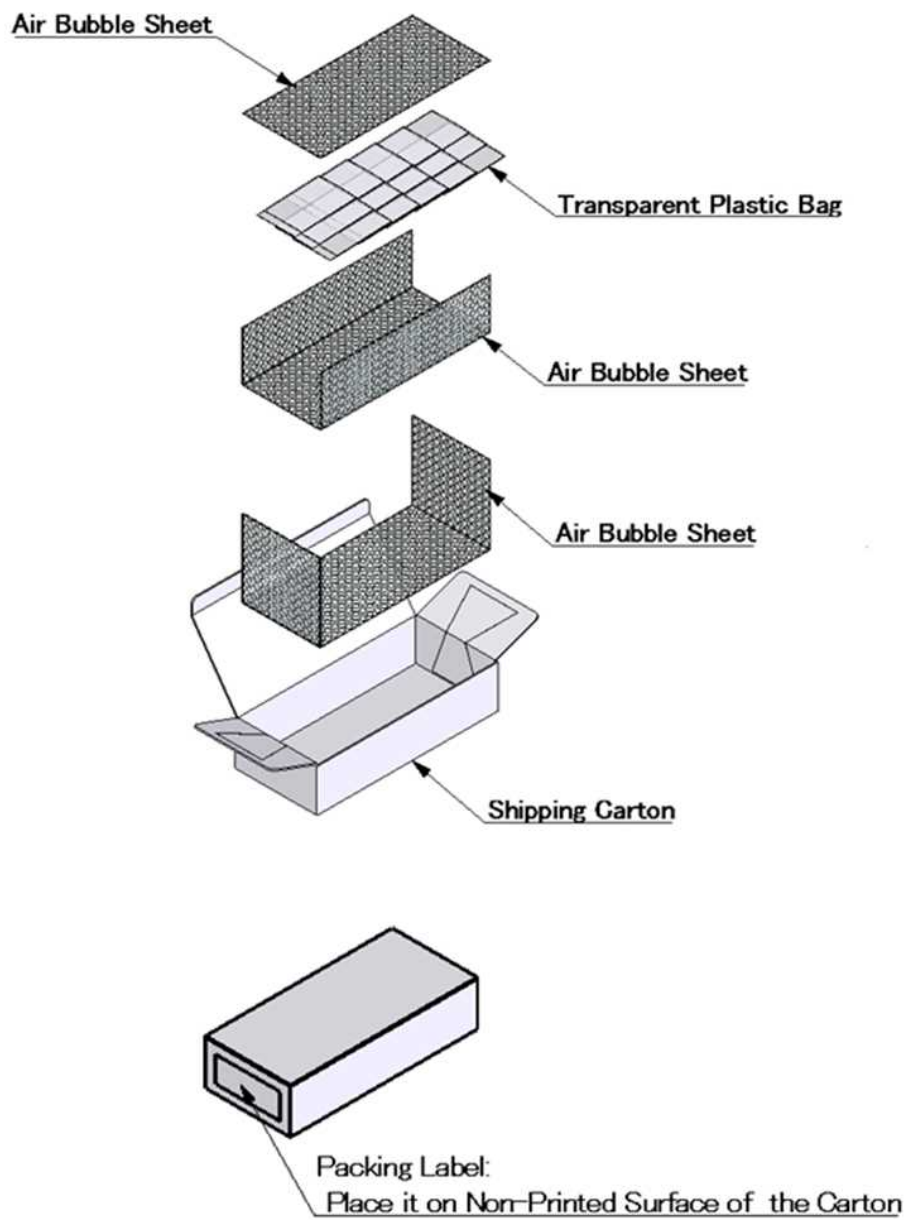


Fig.3

6-2. Packing method to pack Shipping carton into Packing carton

- ① At one shipping carton
(Quantity : **A** [pcs.])

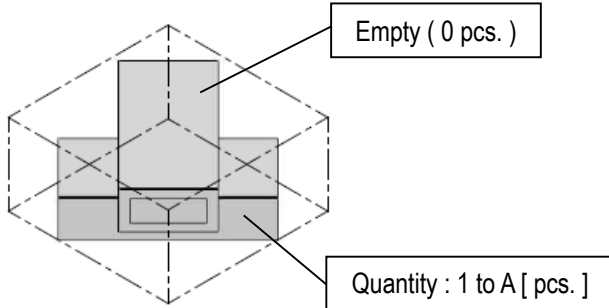


Fig.4

- ② At two shipping carton
(Quantity : **B** [pcs.])

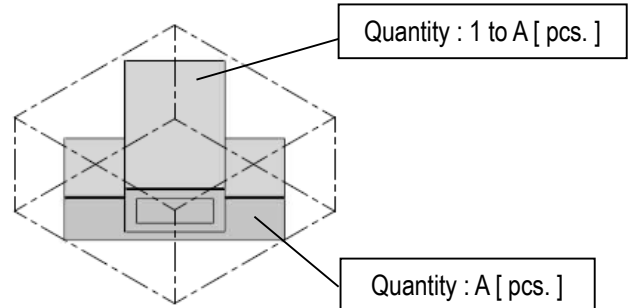


Fig.5

- ③ At three shipping carton
(Quantity : **C** [pcs.])

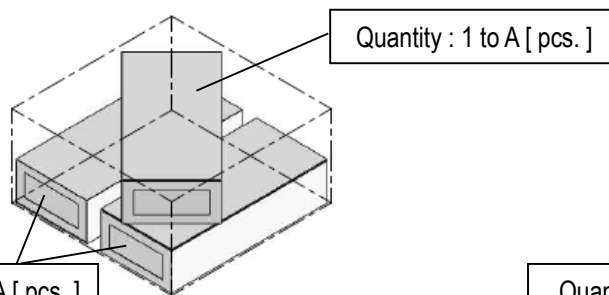


Fig.6

- ④ At four shipping carton
(Quantity : **D** [pcs.])

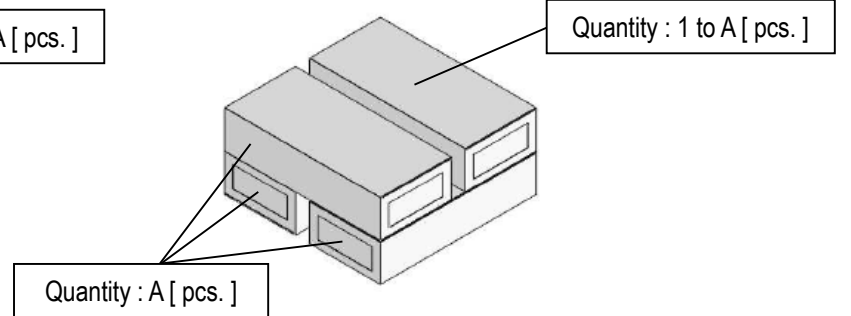


Fig.7

Cable Length L [mm]	①Quantity of A [pcs.]	②Quantity of B [pcs.]	③Quantity of C [pcs.]	④Quantity of D [pcs.]
$50 \leq L \leq 250$	250 max.	251 to 500 max.	501 to 750 max.	751 to 1000 max.
$250 < L \leq 500$	125 max.	126 to 250 max.	251 to 375 max.	376 to 500 max.
$500 < L \leq 800$	100 max.	101 to 200 max.	201 to 300 max.	301 to 400 max.
$800 < L \leq 1100$	60 max.	61 to 120 max.	121 to 180 max.	181 to 240 max.
$1100 < L \leq 1500$	40 max.	41 to 80 max.	81 to 120 max.	121 to 160 max.
$1500 < L \leq 2000$	25 max.	26 to 50 max.	51 to 75 max.	76 to 100 max.

6-3. Packing method of packing carton

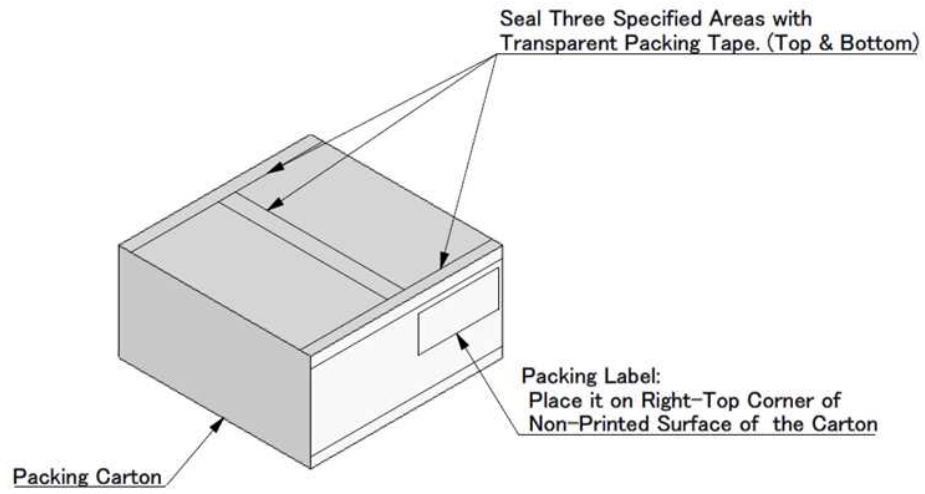


Fig.8