

CABLINE®-UY HARNESS

Part No. 8****-****-**, 8****-****-**-*

Packing Standard

10	S23252	August 3, 2023	R. Takei	-	H. Ikari
9	S22529	December 8, 2022	R. Takei	-	H. Ikari
8	S22087	March 1, 2022	R. Takei	-	H. Ikari
7	S22032	January 25, 2022	R. Takei	-	H. Ikari
Rev.	ECN	Date	Prepared by	Checked by	Approved by

1. Product Name(s) and Parts Number(s)

Product Name	Part Number
CABLINE-UY HARNESS	8****_****_** 8****_****_**_*

2. Packing Quantity

Cable length L [mm]	Pieces per Small Bag	Pieces per Big Bag	Pieces per Shipping Carton	Quantity Per Packing Carton
$L \leq 205$	10 max. [pcs.]	50 max. [pcs.]	1,500 max. [pcs.]	6,000 max. [pcs.]

Cable length L [mm]	Pieces per Separated Bag	Pieces per Shipping Carton	Quantity Per Packing Carton
$205 < L$	1~10 [pcs.]	100~500 [pcs.]	400~2,000 [pcs.]

3. Label

The diagram shows a rectangular label with the following layout:

- Top Left:** Fields for P/N, QTY, and LOT.
- Top Right:** CHECK field with a circular stamp (6).
- Bottom Left:** QR Code (5) and a circular logo (10).
- Bottom Middle:** NAME field (4) and MADE IN ***** field (7).
- Bottom Right:** REMARK field.
- Center:** RoHS Compliant logo (9).
- Far Right:** A circular mark (8).

- ① Part Number
- ② Quantity
- ③ Ten Digits Product Lot Number

Y	Y	M	M	D	D	#	#	#	#
Year		Month		Day		Four Digit Code for I-PEX usage			

- ④ Product Name
- ⑤ QR Code
- ⑥ Check Stamp
- ⑦ Country of Origin
- ⑧ Recycle Mark and Compliance Mark
- ⑨ Logo Mark
- ⑩ Manufacture Name

4. Packing style

Small bag	Big bag	Separated bag	1 shipping carton & 1 packing carton
Fig. 1,2	Fig. 2	Fig. 3	Fig. 4,5,6,7,8,9

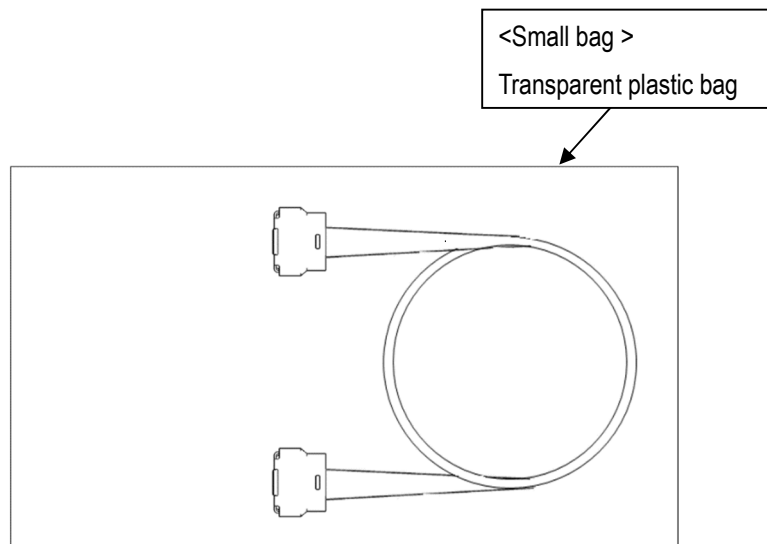


Fig.1

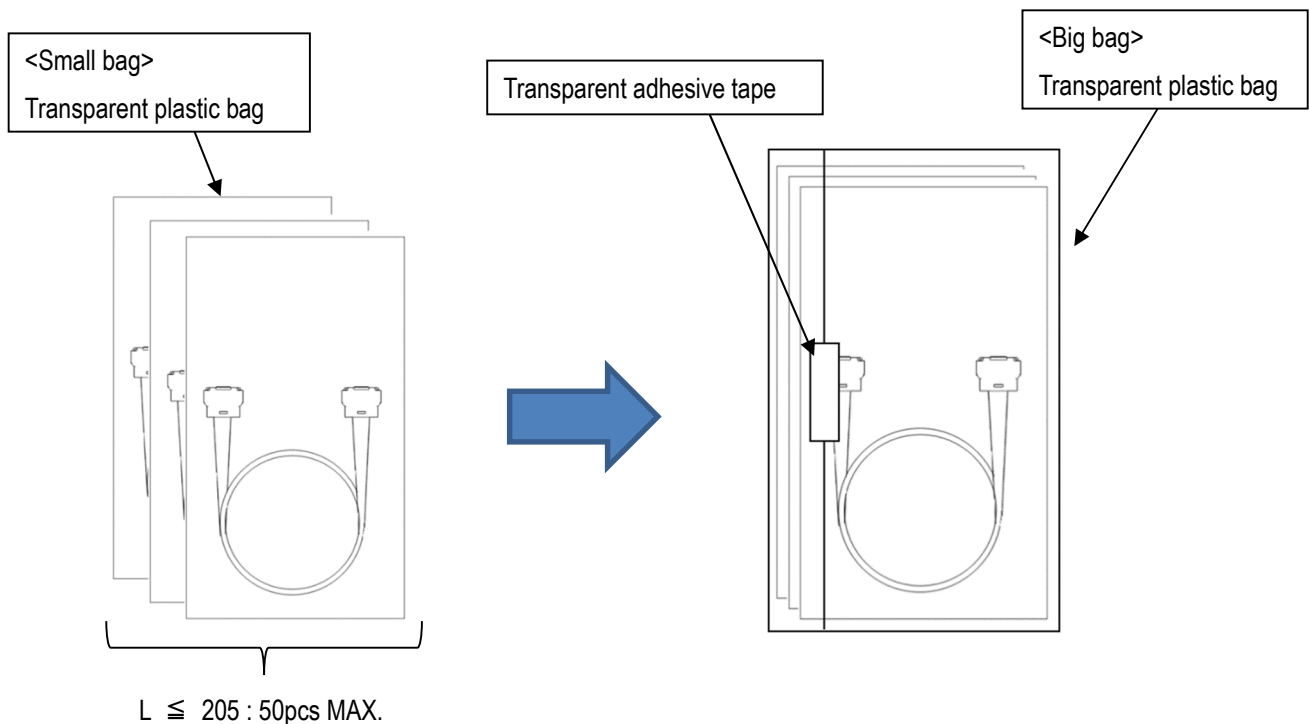
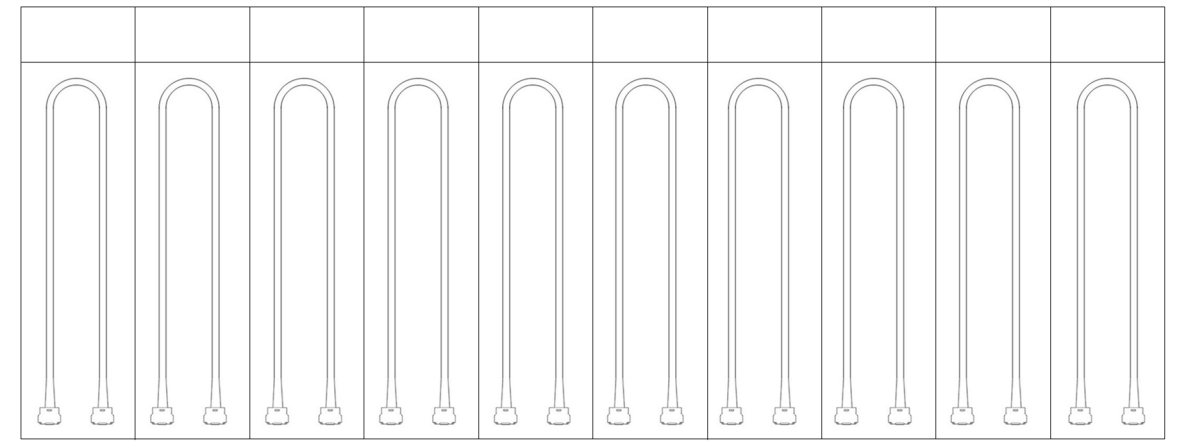


Fig.2



205 < L : 10pcs MAX.

Fig. 3

5. Packing method

5-1. Packing method to the shipping carton of product

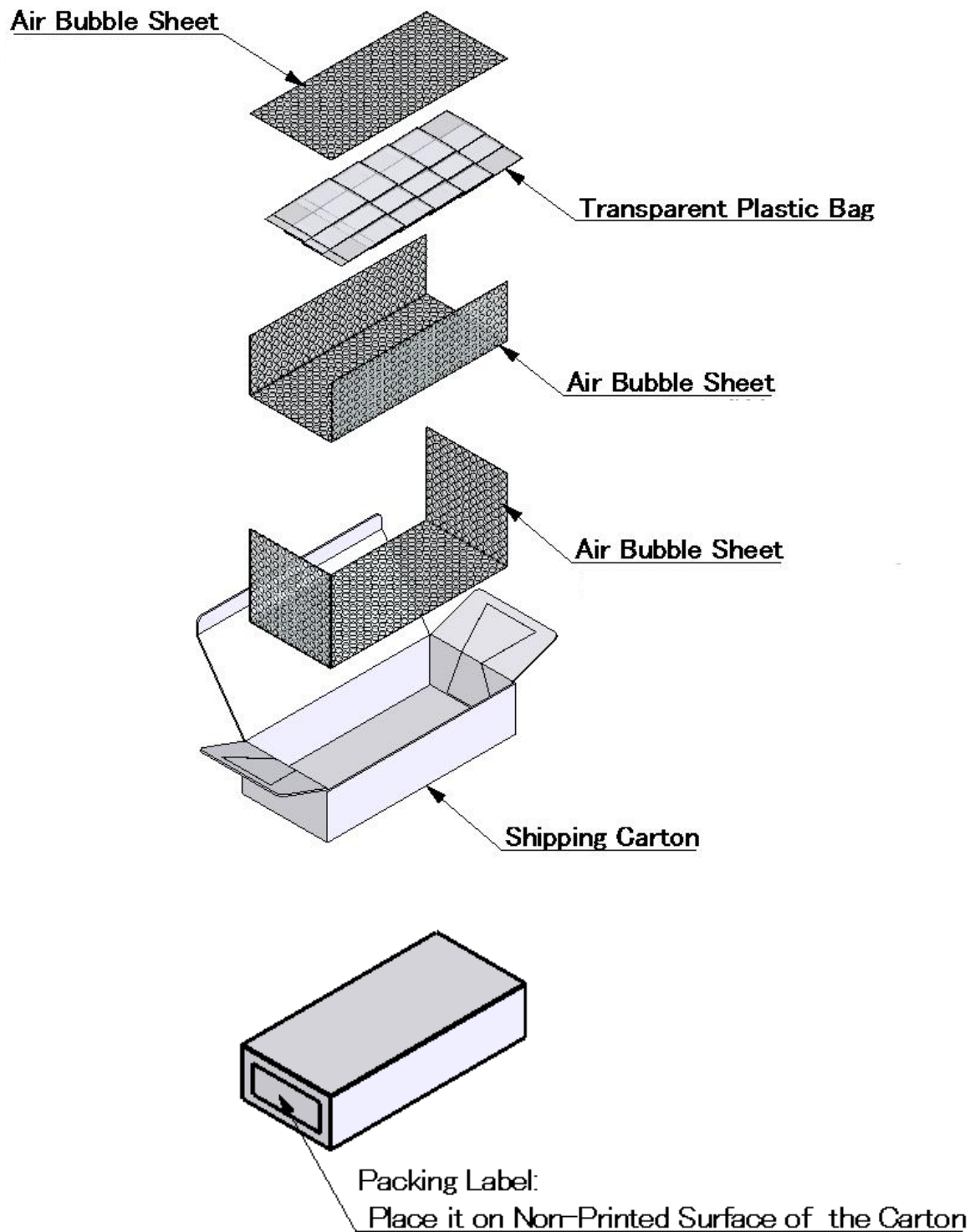


Fig.4

5-2.Packing method to Packing carton of Shipping carton.

①At one shipping carton

(Quantity : 1~A[pcs.])

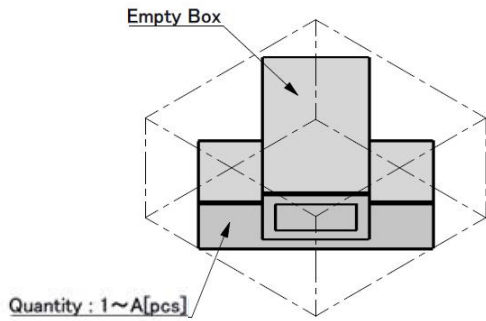


Fig.5

②At two shipping carton

(Quantity : B[pcs.])

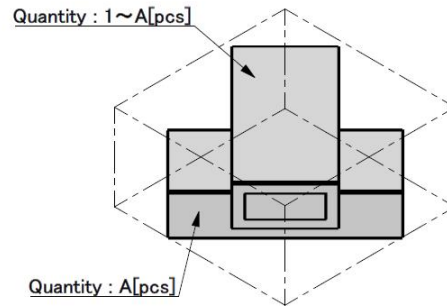


Fig.6

③At three shipping carton

(Quantity : C[pcs.])

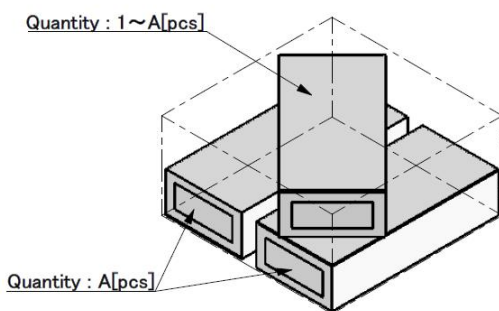


Fig.7

④At four shipping carton

(Quantity : D[pcs.])

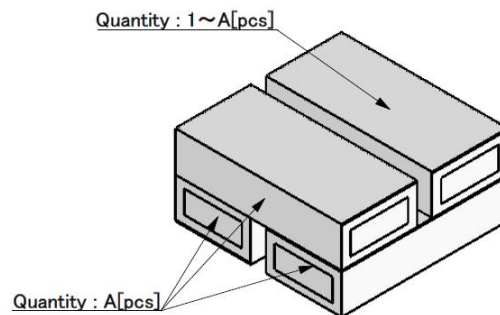


Fig.8

Table.4

Quantity[pcs]	A	B	C	D
Cable length L[mm]				
$L \leq 205$	1,500 max.	3,000 max.	4,500 max.	6,000 max.
$205 < L$	100~500	200~1,000	300~1,500	400~2,000

5-3. Packing method of packing carton

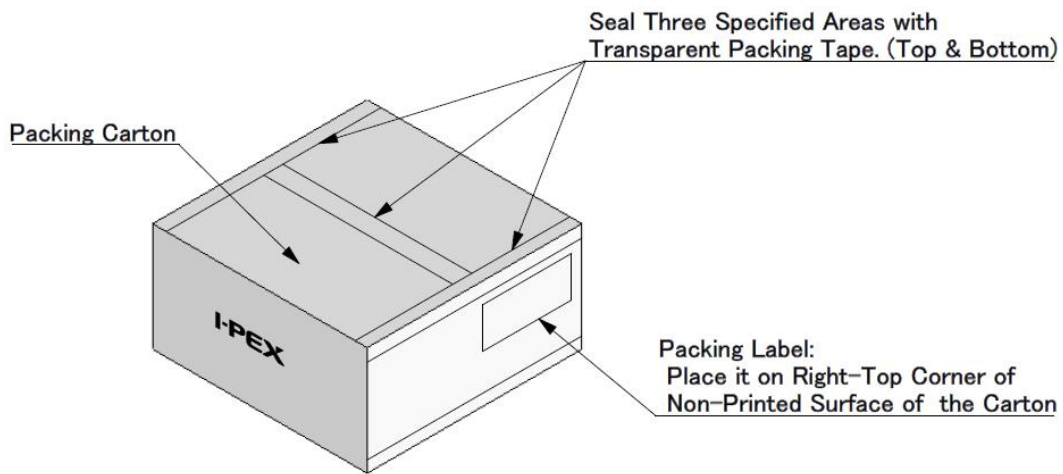


Fig.9