

CABLINE®-UM PLUG LOCK COVER

Part No. 3493-0**1

Packing Standard

4	S24030	January 24, 2024	K.Tanabe	M.Nakamura	T.Masunaga
3	S20649	December 15, 2020	T.Masunaga	-	H.Ikari
2	S19115	February 21, 2019	T.Masunaga	-	Y.Shimada
1	S18473	August 3, 2018	Y.Sasa	T.Masunaga	H.Ikari
Rev.	ECN	Date	Prepared by	Checked by	Approved by

1. Product Name(s) and Parts Number(s)

Product Name	Part Number
CABLINE-UM PLUG LOCK COVER	3493-0**1

2. Packing Material

Pos.	Reel		Packing Carton
	Diameter	Width	Outer Dimension
	950229		950000
30P	φ380	54.0	406×406×214
40P			OUTER
60P		69.0	

3. Packing Quantity

Pos.	REEL QTY.	Pieces per Reel	Quantity Per Packing Carton
30P	3 REELS	4000	4,000 × 3 = 12,000
40P			
60P	2 REELS		4,000 × 2 = 8,000

4. Label

P/N	①	CHECK	⑧ 捆包卷盘 WPP 层间纸 WPP
QTY	②	⑥	
LOT	③	REMARK	
 ⑤ ⑩	NAME: ④ RoHS Compliant ⑨ MADE IN ***** ← ⑦		

- ① Part Number
- ② Quantity
- ③ Ten Digits Product Lot Number

Y	Y	M	M	D	D	#	#	#	#
Year		Month		Day		Four Digit Code for I-PEX usage			

- ④ Product Name
- ⑤ QR Code
- ⑥ Check Stamp
- ⑦ Country of Origin
- ⑧ Recycle Mark and Compliance Mark
- ⑨ Logo Mark
- ⑩ Manufacture Name

5. Packing Method

5-1 PACKING OF RELL

- (1) Coiling of shell to reel follow as shown Fig.1.
- (2) Coiling QTY. is 4000 in reel.

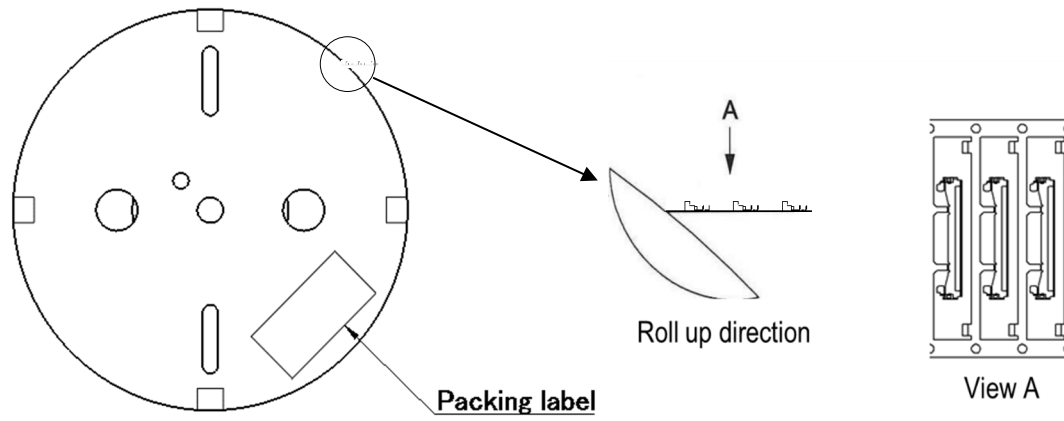


Fig.1

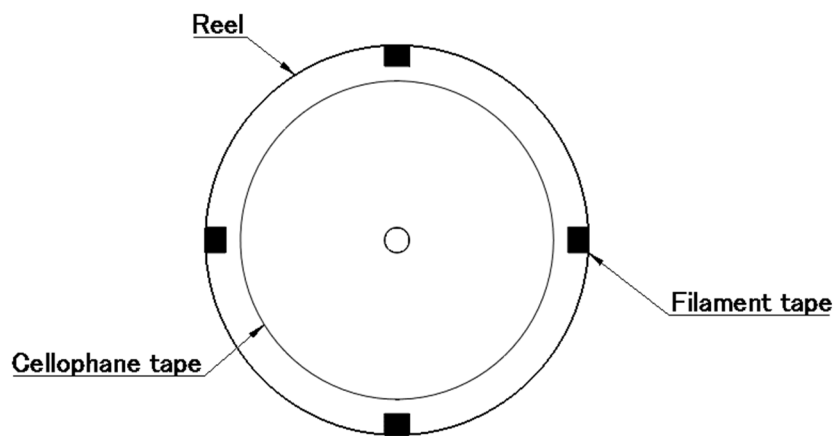


Fig.2

5-2 Packing of P CARTON

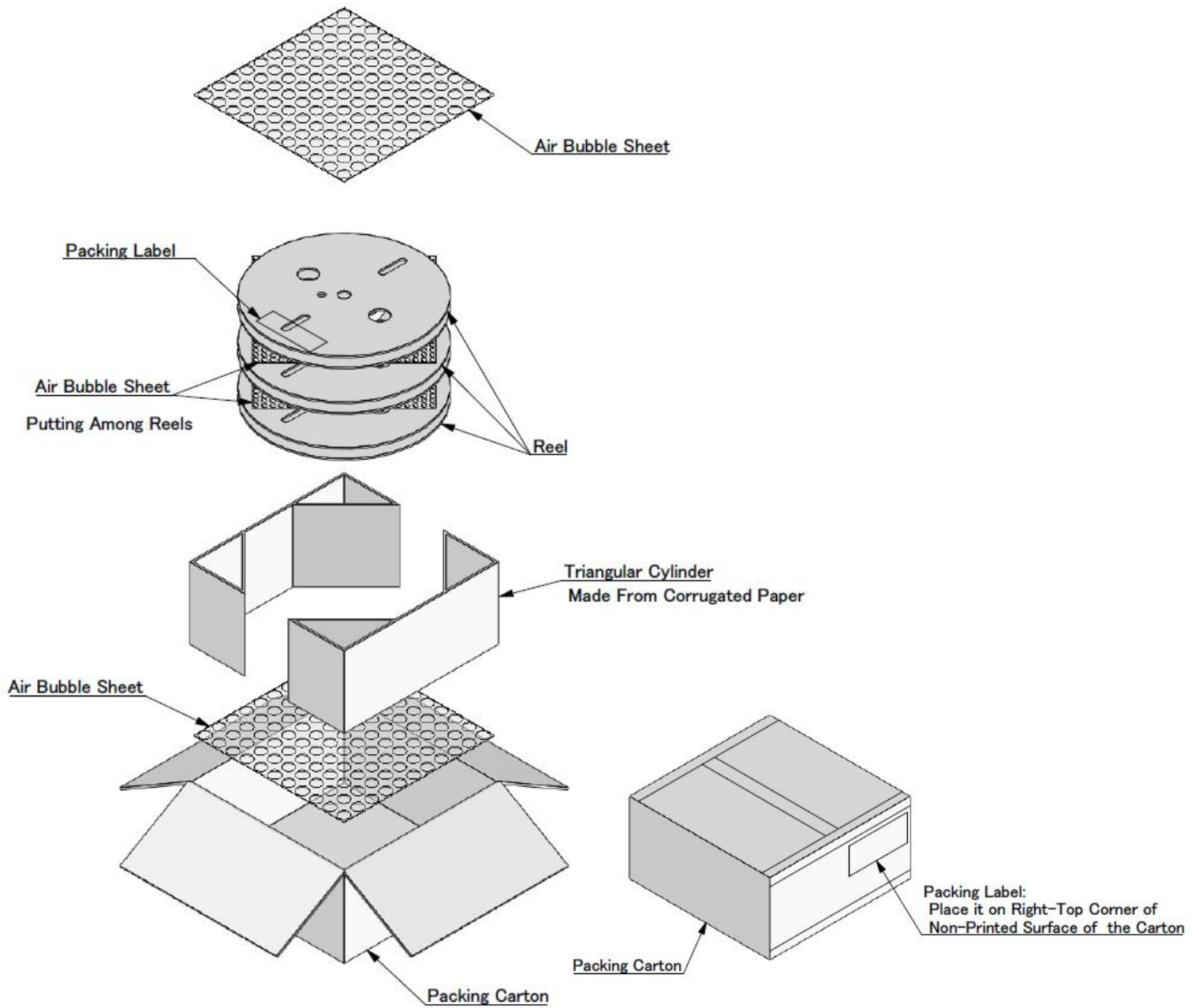


Fig.3

[Note]

Connection of carrier: 1 connection MAX. / reel

To write the label "ONE CONNECTION", when we connect the carrier.

There must be at least two turns of coiling paper between the first and the second carrier.

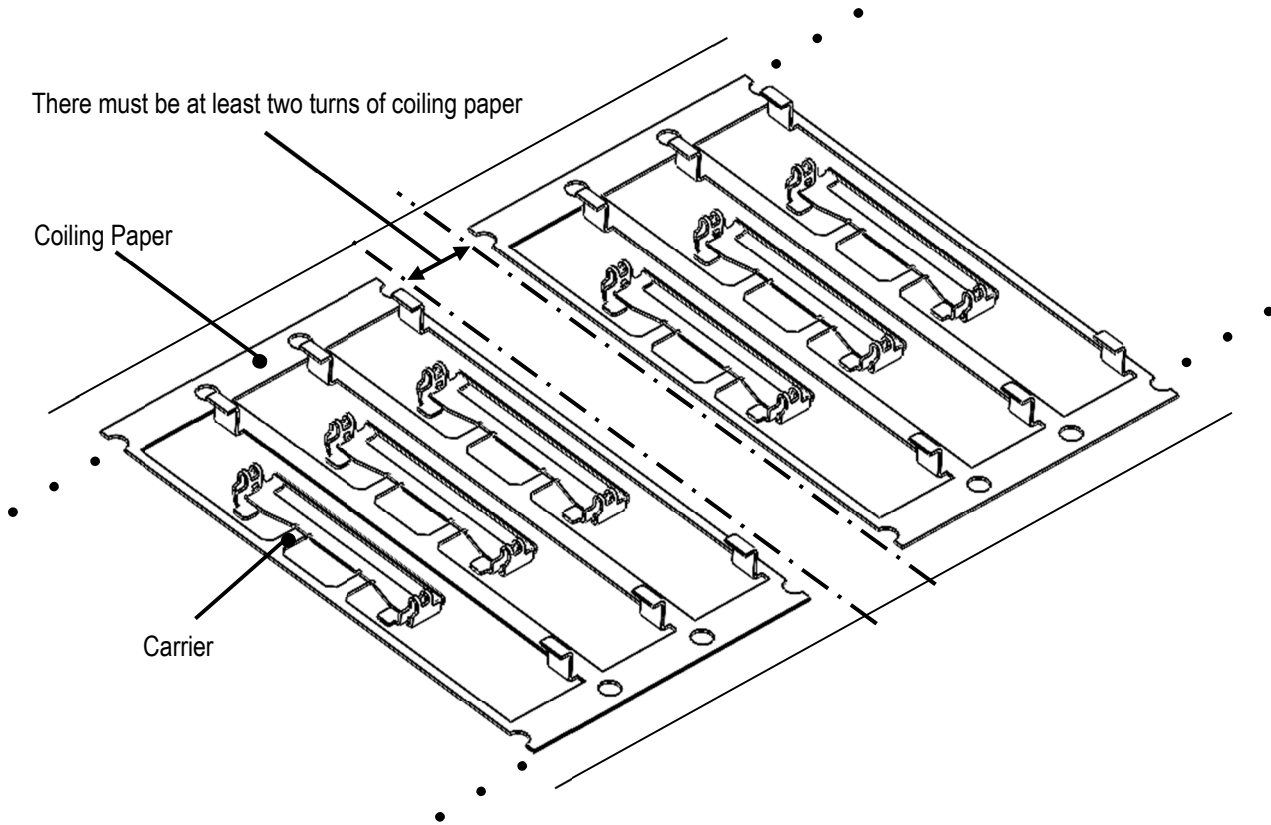


Fig.4 Connection of Carrier