

CABLINE®-SS Plug Metal Cover

Part No. 2182

Packing Standard

13	S21166	April 12, 2021	K. Hara	T. Tanigawa	H. Ikari
12	S17697	September 14, 2017	R. Hoshino	H. Tagomori	M. Takemoto
11	S12164	April 9, 2012	M.Y		E.K
10	S12034	January 25, 2012	M.Y		E.K
Rev.	ECN	Date	Prepared by	Checked by	Approved by

CABLINE-SS Plug Metal Cover Packing Standard

Document No.

300-348-C13EN

1. NAME : CABLINE-SS Plug Metal Cover

ITEM : 2182-0**-0*

2. PACKING MATERIAL

POS.	DIAMETER	REEL WIDTH	REEL P/N	PACKING CARTON
10P 14P 20P 30P 32P 35P 40P 50P	φ550	54	950002-005	570 × 570 × 210 OUTER P/N : 950003-001

3. PACKING QUANTITY

POS.	REEL QUANTITY	QUANTITY [1 REEL]	QUANTITY IN PACKING CARTON
10P 14P 20P 30P 32P 35P 40P 50P	3REELS	4,000	4,000 × 3 = 12,000

4. Label

P/N QTY LOT	① ② ③	CHECK ⑥	⑧ 捆包卷盘 WPP
QR Code ⑤	NAME: ④ MADE IN ***** ← ⑦ ⑨ RoHS Compliant	REMARK	层间纸 WPP HF

- ① Part Number
- ② Quantity
- ③ Ten Digits Product Lot Number

Y	Y	M	M	D	D	#	#	#	#
Year		Month		Day		Four Digit Code for I-PEX usage			

- ④ Product Name
- ⑤ QR Code
- ⑥ Check Stamp
- ⑦ Country of Origin
- ⑧ Recycle Mark and Compliance Mark
- ⑨ Logo Mark
- ⑩ Manufacture Name

5. PACKING STYLE

5-1 PACKING OF REEL

- (1) Coiling of shell to reel follow as shown Fig.1.
- (2) Coiling quantity is 4,000 in reel.
- (3) Thicker paper is used. (Part number: ZR70)
- (4) Coiling paper three times or over extra.
- (5) Putting the end of paper with sellotape.
- (6) Put a label on the designated place of reel as shown Fig.2.
- (7) Fixing a reel equable from front to back side by filament tape. (4 points)

Recommend tape : NICHIBAN Co.,Ltd FILAMENT TAPE Part No.902

- (8) **Don't connect carrier in 1 reel, in the case of less than above regulation quantity.**

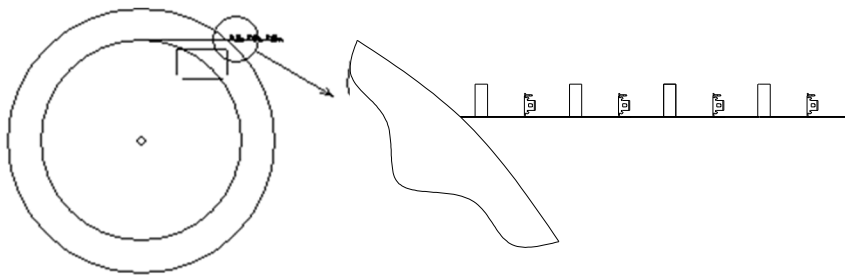


Fig. 1

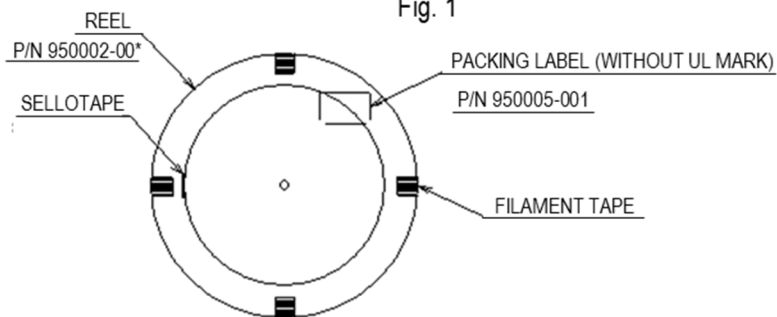


Fig. 2

5-2 PACKING OF PACKING CARTON

(1) Initially, put 2 sheets Air Bubble Sheet (small : #37) in packing carton. Packing reels of regulated quantity as shown 3, putting among reels Air Bubble Sheet (small : #37).

If there is space in the upper part of packing carton, and put several Air Bubble Sheets (small : #37) into that place.

Set triangular cylinder as shown Fig.3 into the four corners, and put two sheets of Air Bubble Sheet (small : #37) into four sides (among reel and carton).

Put the empty reels, and pack it so that there may not be a gap when reel quantity is small.

(2) Putting the lid with adhesive tape.

(3) Put a label on the designated place of packing carton as shown Fig.3. Entry in MTL don't need.

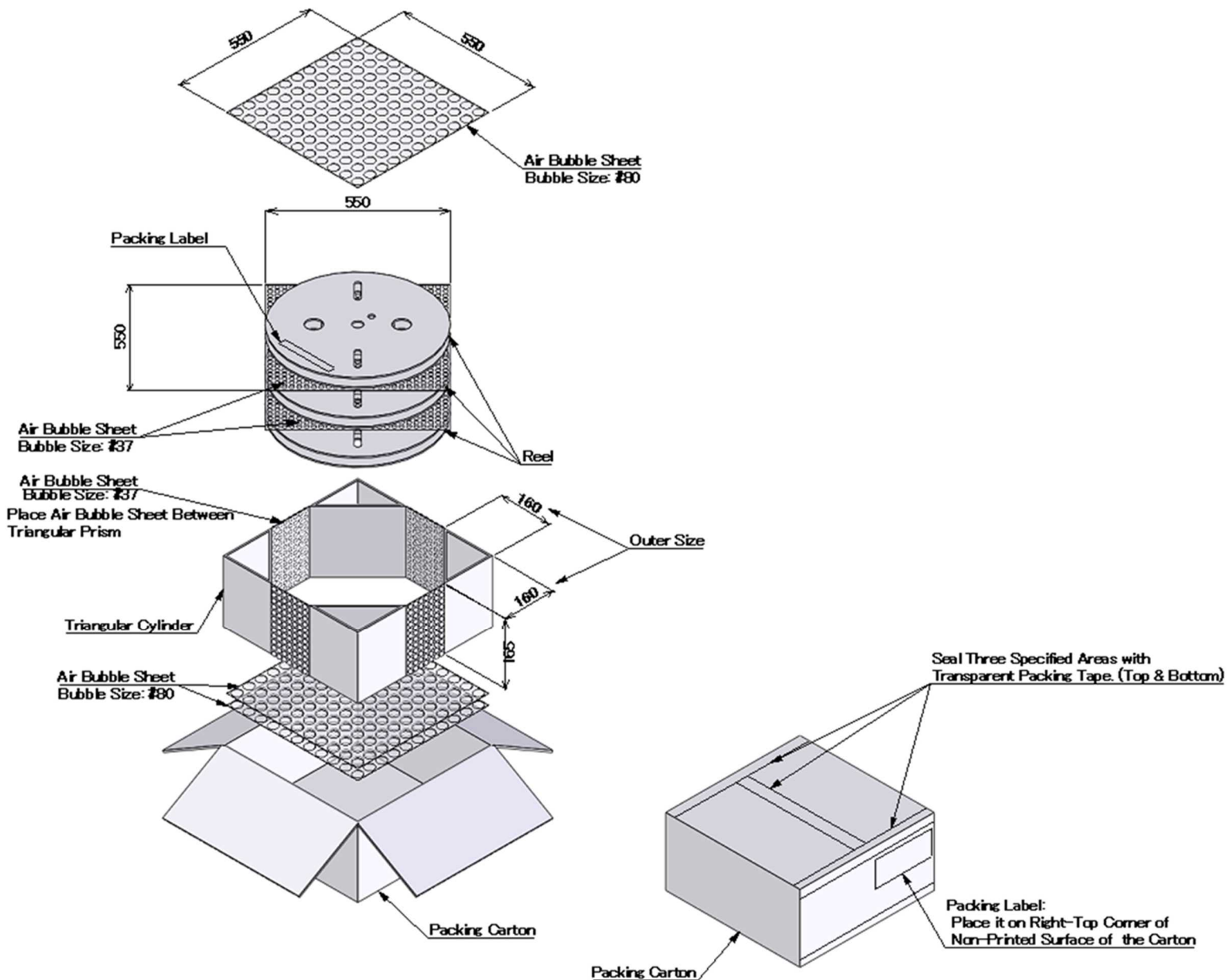


Fig. 3