

PACKING STANDARD

梱包規格

No. 300-823

CABLINE-CA CONN.

PLUG PULL BAR

6	S16042	T.K	Feb./03/'16	J.T	CUSTOMER COPY		
5	S14248	K.B	Jul./04/'14	E.K	Prepared by	Reviewed by	Approved by
4	S13391	T.K	Oct./11/'13	E.K	T.K Feb./11/'10	Y.H Feb./15/'10	T.H Feb./17/'10
3	S13042	D.S	Feb./12/'13	T.H			
REV.	ECN	BY	DATE	APP.			
REVISION RECORD							

DOCUMENT CLASSIFICATION PACKING STANDARD 梱包規格	TITLE CABLINE-CA CONN. PLUG PULL BAR	No. 300-823
		CUSTOMER COPY

1. 製品名称 (NAME) : CABLINE-CA CONN. PLUG PULL BAR
製品番号 (ITEM) : 2766-0**1

2. 梱包材料 (PACKING MATERIAL)


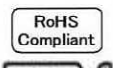

型番 (P/N)	スティック(STICK)	内装カートン (SHIPPING CARTON) P/N 950001	外装カートン (PACKING CARTON) P/N 950000
	外寸法 (OUTER SIZE)		
2766-0101	350×18.0×3.0	385×175×90 OUTER	406×406×214 OUTER
2766-0121	350×18.8×3.0		
2766-0201	350×22.0×3.0		
2766-0301	350×26.0×3.0		
2766-0401	350×30.0×3.0		
2766-0501	350×34.0×3.0		
2766-0601	350×38.0×3.0		

3. 梱包数量 (PACKING QTY.)

型番 (P/N)	入数/スティック (QTY./STICK)	入数(スティックの数)/内装カートン QTY. IN SHIPPING CARTON (STICKS QTY.)	入数(内装カートンの数)/外装カートン QTY. IN PACKING CARTON (S CARTON QTY.)
2766-0101	500	15000 (30 本(STICKS))	60000 (4 箱(BOXES))
2766-0121			
2766-0201			
2766-0301			
2766-0401			
2766-0501			
2766-0601			

DOCUMENT CLASSIFICATION PACKING STANDARD 梱包規格	TITLE CABLINE-CA CONN. PLUG PULL BAR	No. 300-823
		CUSTOMER COPY

4. 現品票 (LABEL)

20090909011300-00001		
P/N	①	CHECK
Q'TY	②	⑦
LOT	③	
	NAME: ④	REMARK
	MADE IN <input type="text"/> ⑤  	
DAI-ICHI SEIKO CO.,LTD.		

①・・・ Part number : Ex. 2766-0301

②・・・ QTY.

③・・・ Products lot No. :

It is constituted from ten figures. (See below.)

 NN NN NN NNNN

 A B C D

A : Last two figures of the Christian era (two figures)

B : Month (two figures)

C : Day (two figures)

D : It is cord number that I-PEX uses. (four figures)

Example : 0911200010

It means that the Product was manufactured on Nov./20/2009

④・・・ Item : Ex. CABLINE-CA CONN. PLUG PULL BAR

⑤・・・ Production country

⑥・・・ QR code

⑦・・・ Check stamp

DOCUMENT CLASSIFICATION PACKING STANDARD 梱包規格	TITLE CABLINE-CA CONN. PLUG PULL BAR	No. 300-823
		CUSTOMER COPY

5. 梱包形態 (PACKING STYLE)

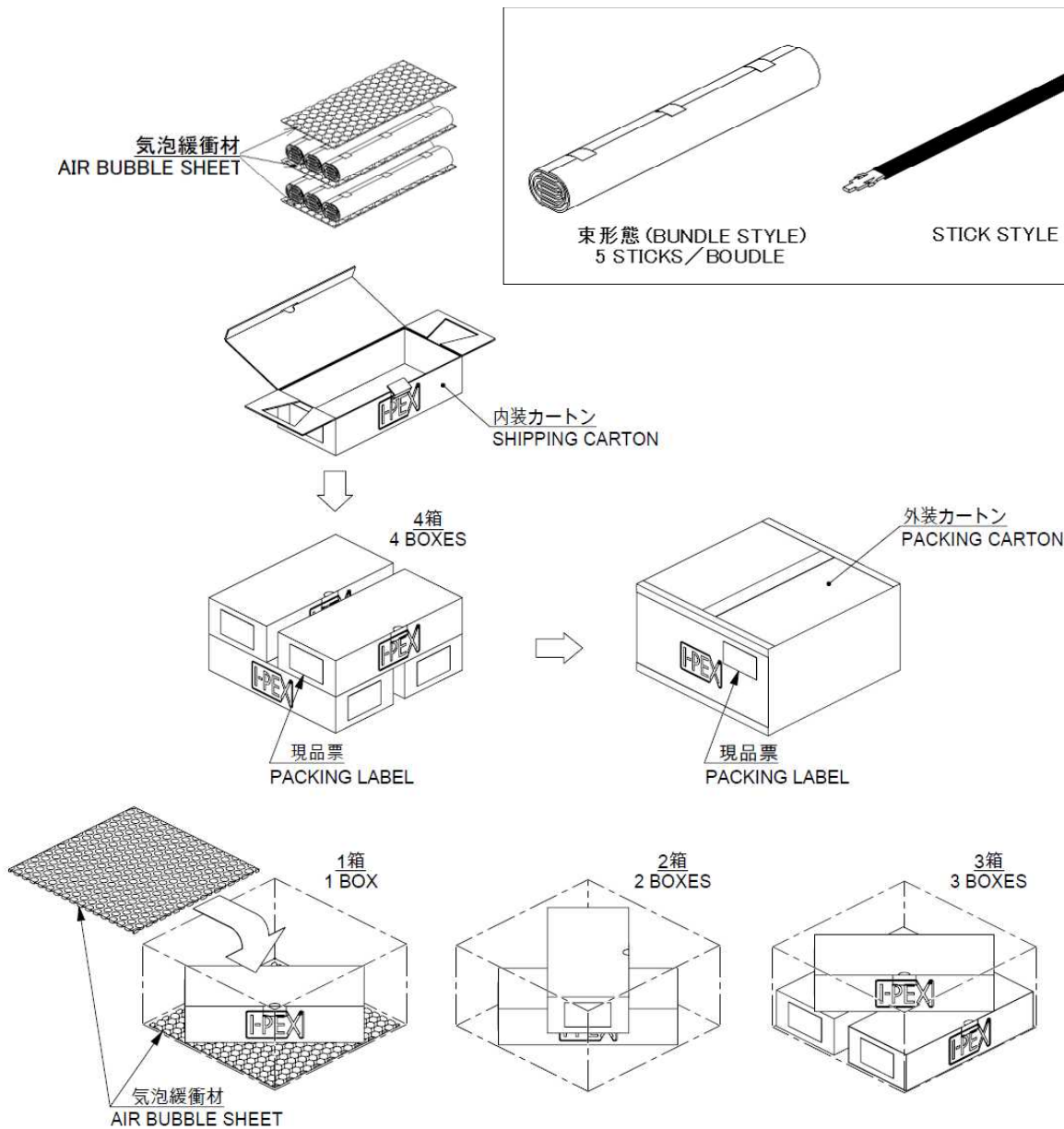


図 1. (Fig.1)