

CABLINE® -CAP PADDLE CARD HARNESS 50P

Part No. 81863-100B-0*

Packing Standard

0	S23154	May 24, 2023	R.Takei	-	H.Ikari
Rev.	ECN	Date	Prepared by	Checked by	Approved by

1. Product Name and Part Number

Product Name	Part Number
CABLINE-CAP PADDLE CARD HARNESS 50P	81863-100B -0*

2. Packing Material and Part Number

Cable length L [mm]	Separated Bag	Shipping Carton	Packing Carton
	Outer Dimension	Outer Dimension	Outer Dimension
	W×D×H	W×D×H	W×D×H
250	A x 285 x 0.05	385 x 175 x 90	406 x 406 x 214
500			



Caution: A depends on the harness length.

3. Packing Quantity

Cable Length L [mm]	Pieces per Separated Bag	Pieces per Shipping Carton	Quantity Per Packing Carton (4 shipping carton)
250	10 max.	100 max.	100 × 4 = 400 max.
500			

4. Packing Label

4.1 Packing label is put on the designated place of S CARTON and P CARTON.

P/N	①	CHECK
QTY	②	⑥
LOT	③	
 ⑤	NAME: ④	REMARK
	MADE IN ***** ← ⑦  ⑧	
⑨		

- ① Part Number
- ② Quantity
- ③ Ten Digits Product Lot Number

Y	Y	M	M	D	D	#	#	#	#
Year		Month		Day		Four Digit Code for I-PEX usage			

- ④ Product Name
- ⑤ QR Code
- ⑥ Check Stamp
- ⑦ Country of Origin
- ⑧ Logo Mark
- ⑨ Manufacture Name

5. Packing Style

Cable length L [mm]	Separated Bag	One shipping carton & One packing carton
250	Fig.1	Fig.2, 3, 4, 5, 6, 7
500		

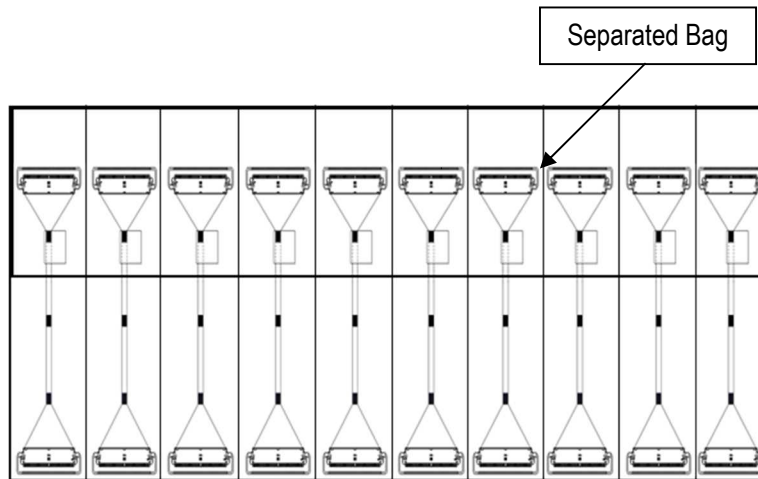


Fig.1

6. Packing method

6-1. Packing method to put products into the shipping carton

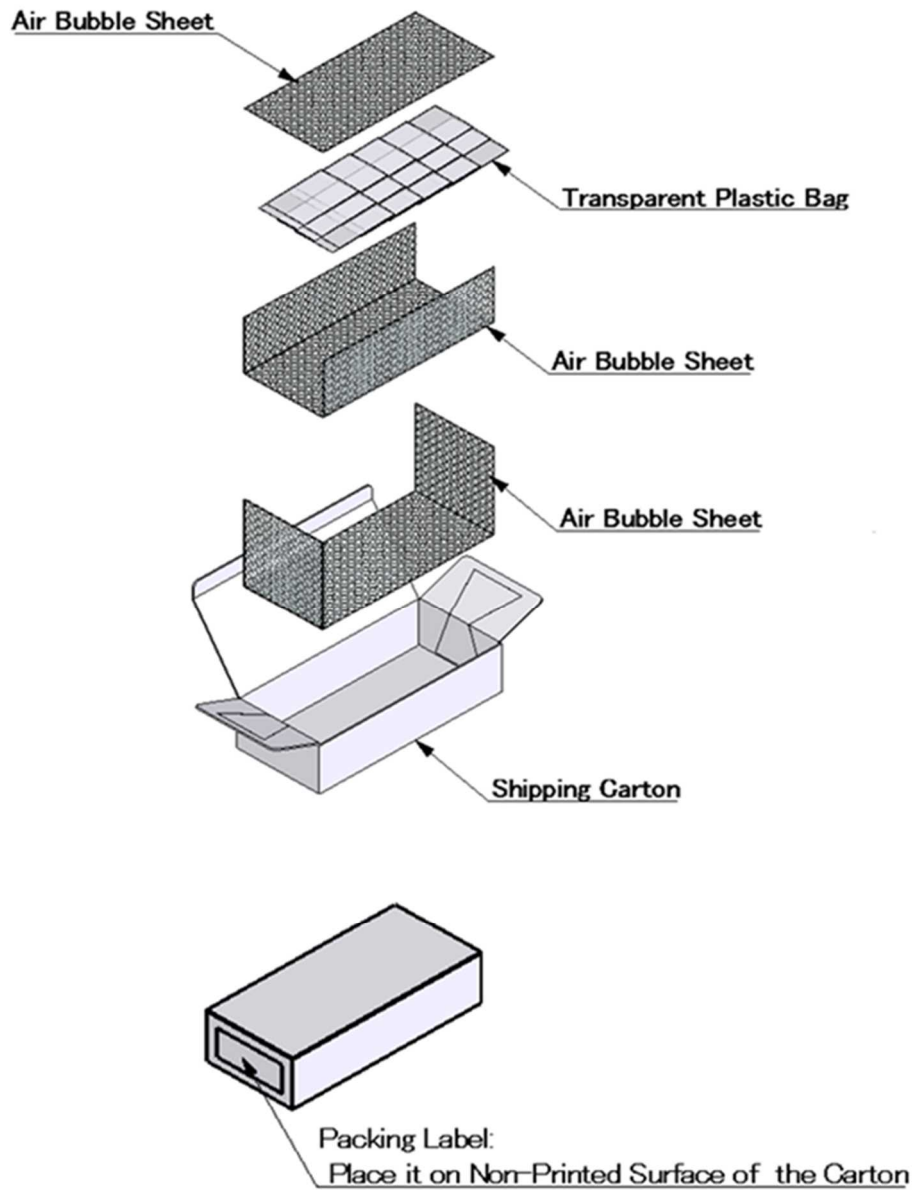


Fig.2

6-2. Packing method to pack Shipping carton into Packing carton

① At one shipping carton
(Quantity : **A** [pcs.])

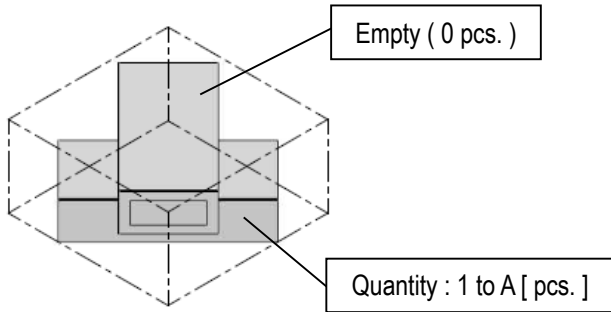


Fig.3

② At two shipping carton
(Quantity : **B** [pcs.])

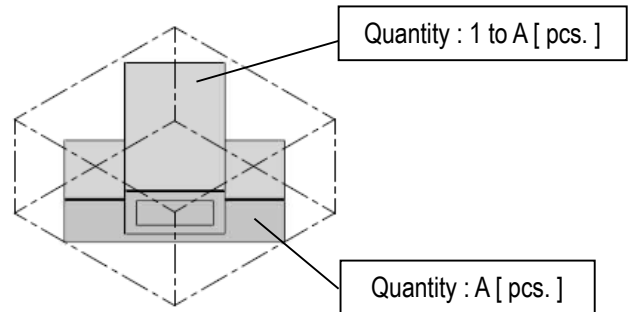


Fig.4

③ At three shipping carton
(Quantity : **C** [pcs.])

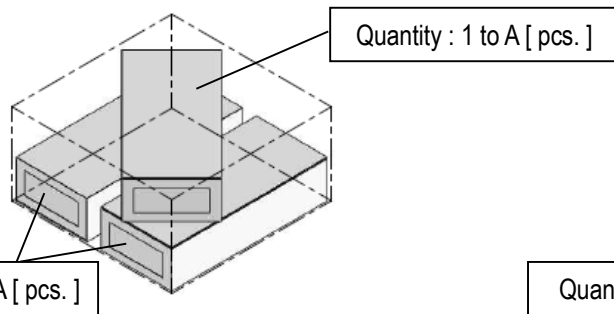


Fig.5

④ At four shipping carton
(Quantity : **D** [pcs.])

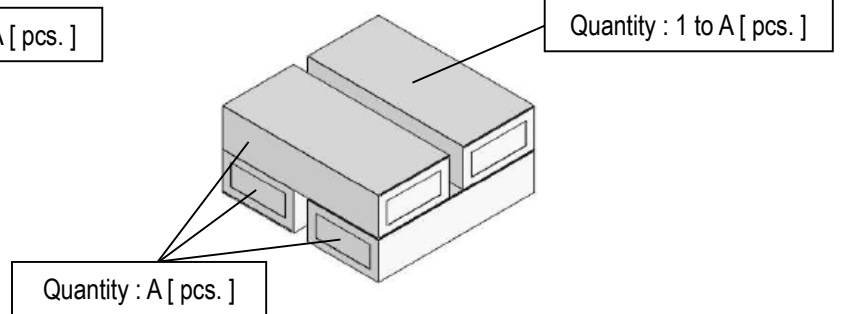


Fig.6

Cable Length L [mm]	①Quantity of A [pcs.]	②Quantity of B [pcs.]	③Quantity of C [pcs.]	④Quantity of D [pcs.]
250	100 max.	101 to 200 max.	201 to 300 max.	301 to 400 max.
500				

6-3. Packing method of packing carton

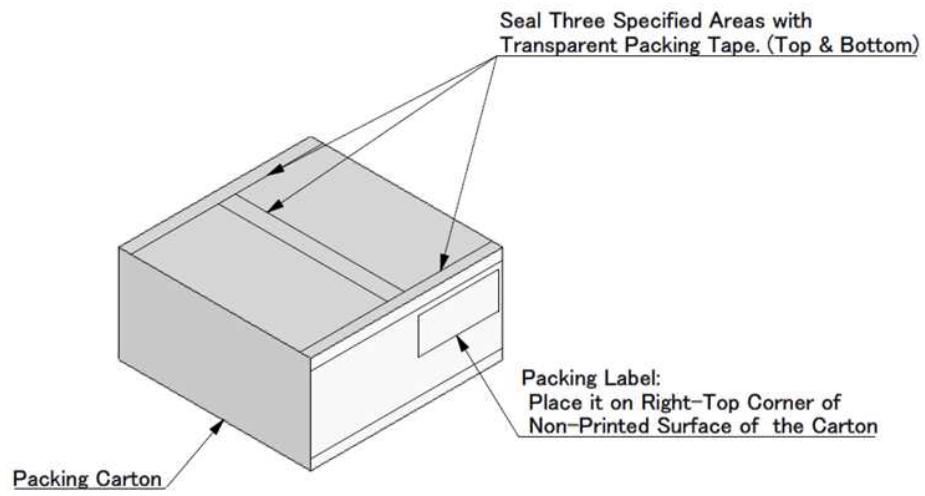


Fig.7