

RF Adapter

Part No. 50****_****

Packing Standard

0	S21164	April 12, 2021	K. Yufu	-	M. Takemoto
Rev.	ECN	Date	Prepared by	Checked by	Approved by

1. Product Name(s) and Part Number(s)

Product Name	Part Numbers	Packing Material	Recycle mark
2.4mm RF CONNECTOR CONVERSION ADAPTER	50201-0001	Stick	捆包管 01 PET
	50201-0J01	Stick	
	50201-JJ01	Stick	
2.4mm RF CONNECTOR ENDLAUNCH ADAPTER FOR PCB	50202-0001	Tray1	托盘 03 PVC
	50202-J001	Tray1	
2.4mm RF CONNECTOR ADAPTER FOR PCB (INNER LAYER)	50203-J001	Tray2	
2.4mm RF CONNECTOR ADAPTER FOR PCB (OUTER LAYER)	50204-J001	Tray2	
2.4mm RF CONNECTOR TERMINATION ADAPTER	50205-0001	Stick	捆包管 01 PET
	50205-J001	Stick	

Those products can be packed together, however, they should be packed following the 5.Packing Method.

2. Packing Material and Part Number

Tray1			Tray2		
Pocket			Pocket		
Width (mm)	Depth (mm)	Number of Pockets (mm)	Width (mm)	Depth (mm)	Number of Pockets(mm)
33	14	80	15	22	100

Stick		Packing Carton	
SUPPLIERS Outer Dimension		Small size	Large size
Diameter (mm)	Length (mm)	Outer Dimension W×D×H (mm)	Outer Dimension W×D×H (mm)
10.5	48	373×166×84	406×406×214

3. Packing Quantity

3-1. Tray

Packing Quantity	Packing Carton
1pc. to 99pcs.	I-PEX original small carton
100pcs. to 1000pcs.	I-PEX original Large carton

3-2. Stick

Packing Quantity	Pieces per Stick	Sticks per small bag	Small bags per medium-size bag	Medium-size bags per large bag	Packing Carton	Large bags per carton
1pc. to 99	1 pc.	1 stick	10 small bags Max.	10 medium bags Max.	I-PEX original small carton	1 large bag.
100pcs. to 1000pcs.	1 pc.	1 stick	10 small bags Max.	10 medium bags Max.	I-PEX original Large carton	10 large bags Max.

Bag size is optional. Same size bags can be used for all bags.

4. Label

Indicate one part number to one label. If a carton includes multiple items, attach all labels to the carton.

The diagram shows a rectangular label with the following layout:

- Top Left:** Fields for P/N, QTY, and LOT.
- Top Middle:** Field ① (Part Number), Field ② (Quantity), and Field ③ (Ten Digits Product Lot Number).
- Top Right:** CHECK field with Field ⑥ (Check Stamp).
- Bottom Left:** QR Code field with Field ⑤ (QR Code).
- Bottom Middle:** NAME field with Field ④ (Product Name), a RoHS Compliant logo, and MADE IN ***** with Field ⑦ (Country of Origin).
- Bottom Right:** REMARK field with Field ⑨ (Logo Mark).
- Far Right:** Field ⑧ (Recycle Mark) and a dashed box for Field ⑩ (Manufacture Name).

To the right of the main label is a separate box for the recycle mark:

- ⑧ Recycle mark**
- For tray:** 托盘 (Tray), 03 PVC
- For stick:** 捆包管 (Stick Bag), 01 PET

See 1. Product Name(s) and Part Number(s) and indicate appropriate mark.

- ① Part Number
- ② Quantity
- ③ Ten Digits Product Lot Number

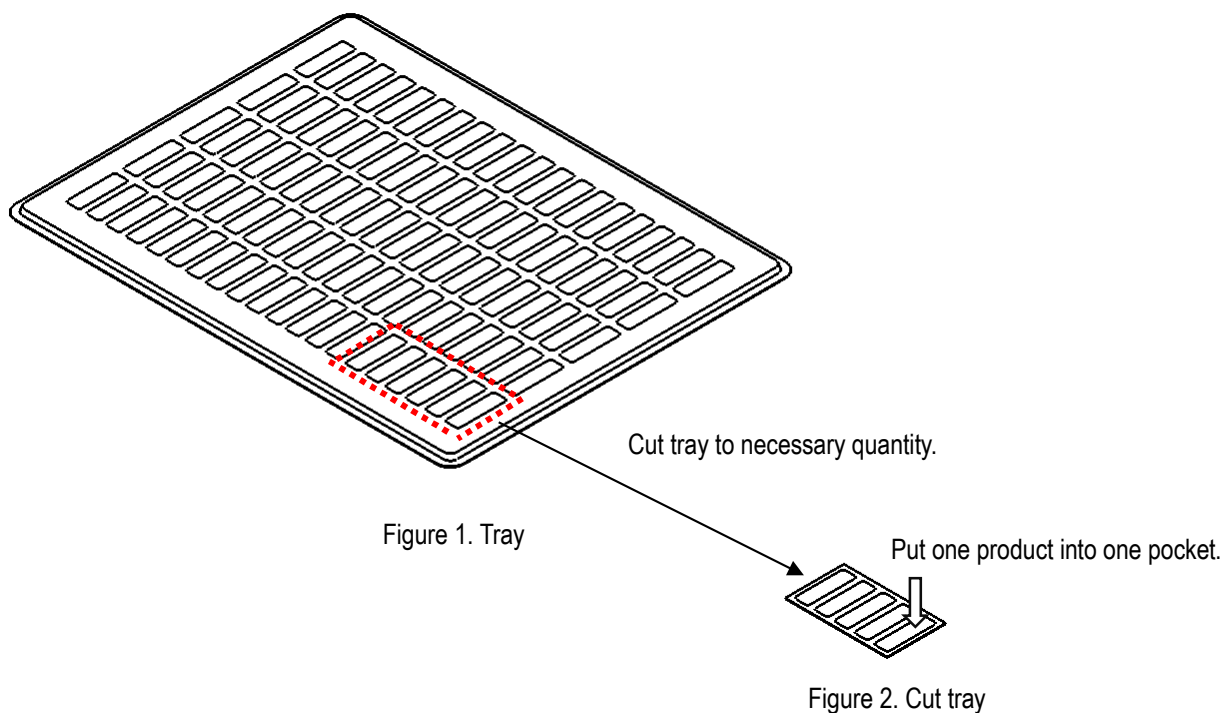
Y	Y	M	M	D	D	#	#	#	#
Year		Month		Day		Four Digit Code for I-PEX usage			

- ④ Product Name
- ⑤ QR Code
- ⑥ Check Stamp
- ⑦ Country of Origin
- ⑧ Recycle Mark
- ⑨ Logo Mark
- ⑩ Manufacture Name

5. Packing Method

5-1 Product packing (into tray)

- (1) Put one product into one pocket.
- (2) Cut a tray for 1 to 99 pieces of samples as shown in figure 2.



5-2 Product packing (into Stick)

- (1) Put one product into one stick.
- (2) Put one Stick into one plastic bag (small bag) as shown in figure 4.

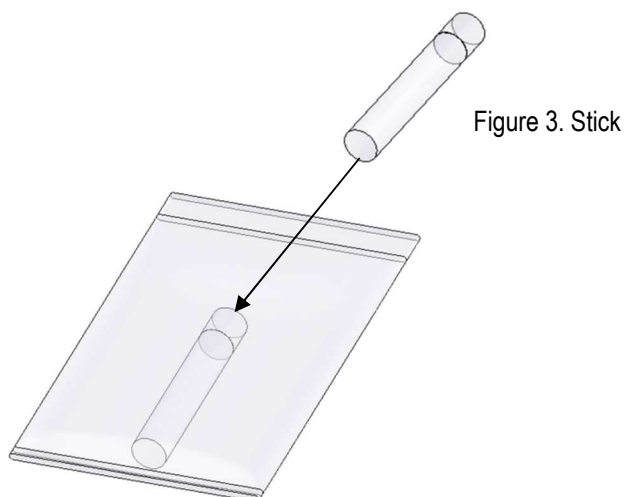


Figure 4. Stick and Plastic bag (Small bag)

5-3 Tray packing (into packing carton)

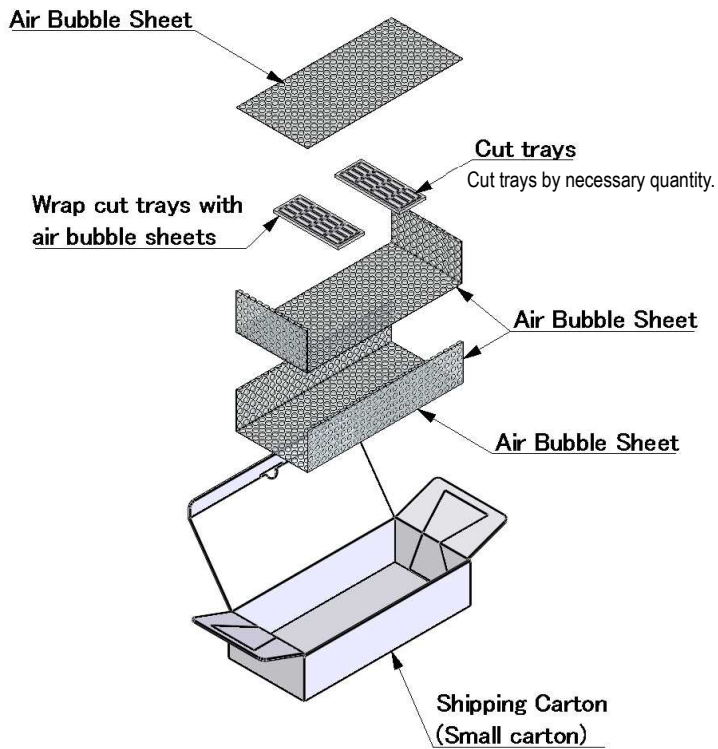


Fig. 5 99 pcs or less

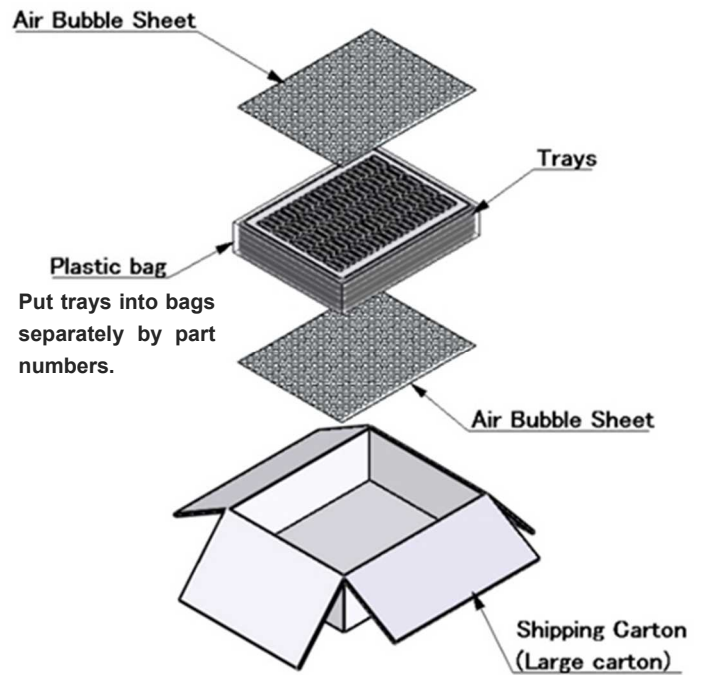


Fig. 6 100 pcs or more

5-4 Stick packing (into packing carton)

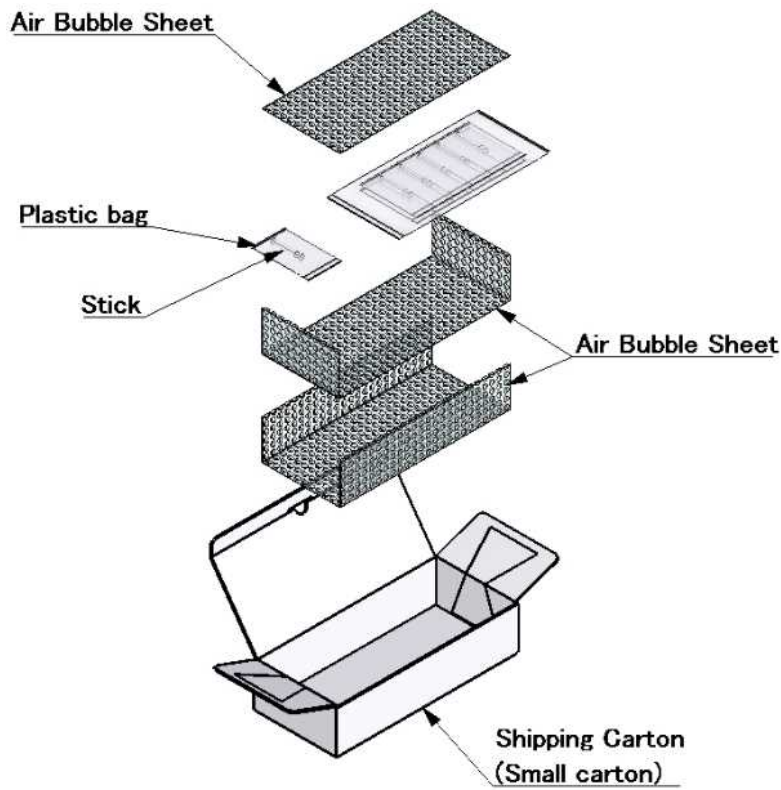


Fig. 7 99 pcs or less

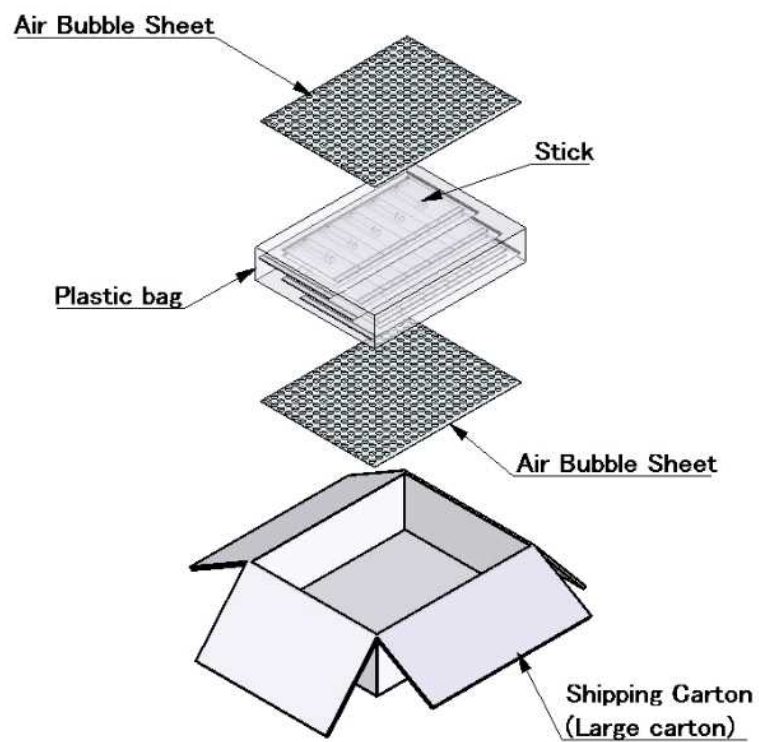


Fig. 8 100 pcs or more

6. Label

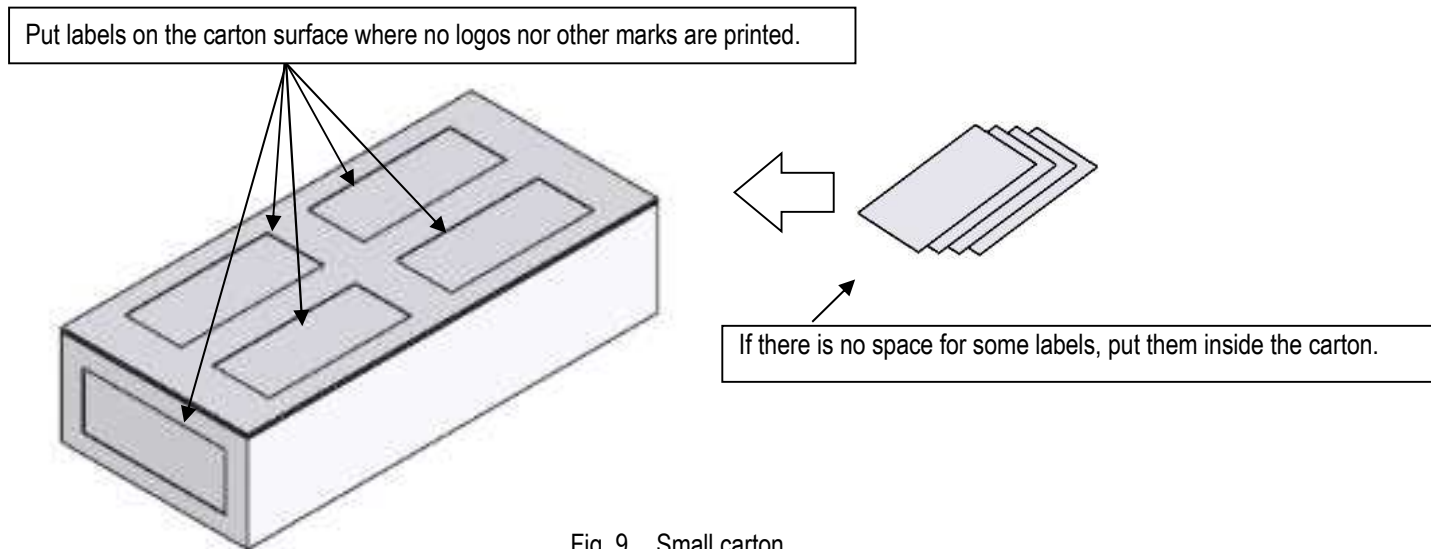


Fig. 9 Small carton

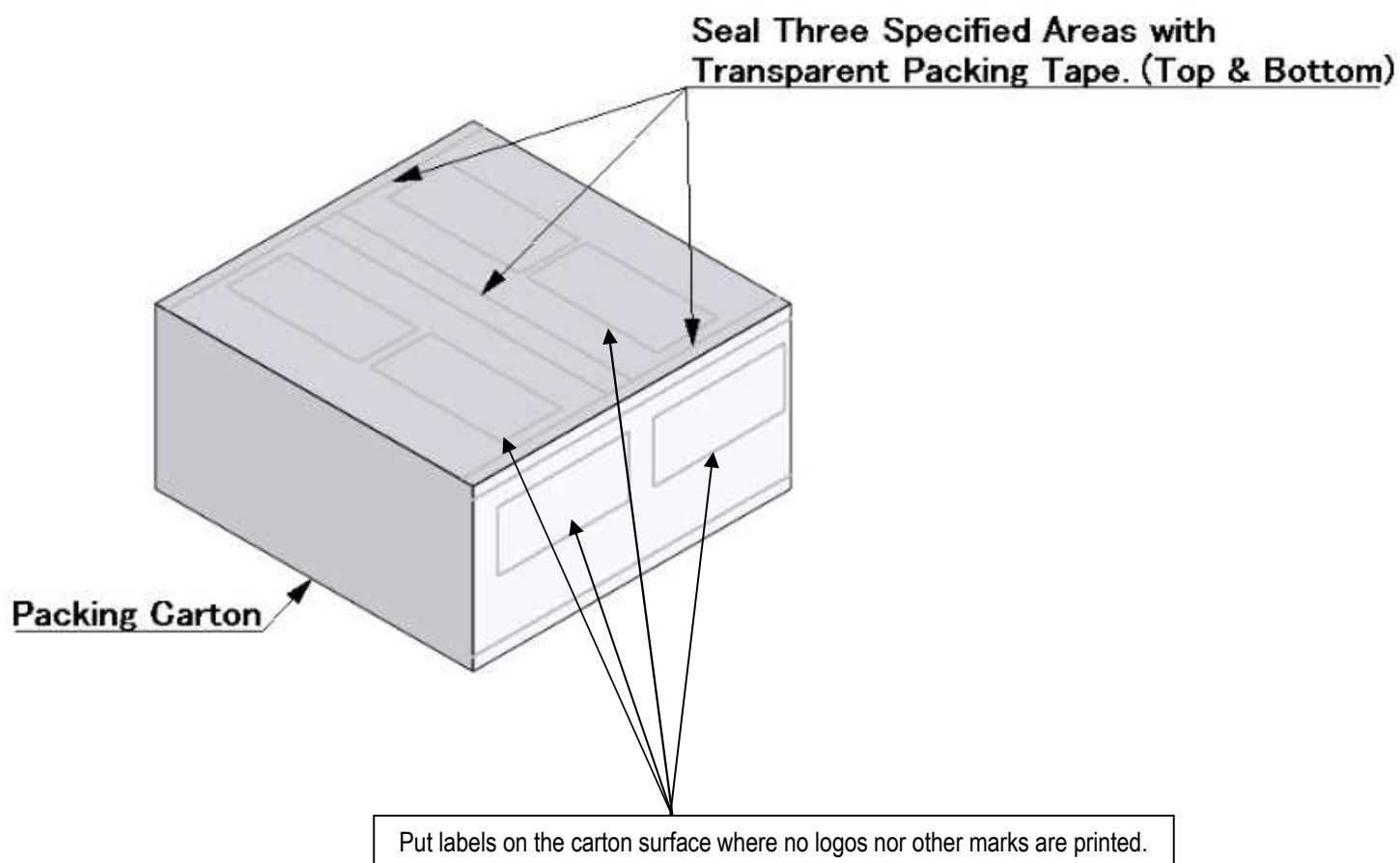


Fig. 10 Large carton