

# MHF<sup>®</sup> 7S 3.0mm High Cycle F Inspection Adapter

Part No. 91145-0001, 91197-300J, 91197-300P

## Instruction Manual

1	S22447	October 5, 2022	K.Watanabe	K.Yufu	Y.Hashimoto
0	S22327	July 27, 2022	K.Motomura	K.Yufu	Y.Hashimoto
Rev.	ECN	Date	Prepared by	Checked by	Approved by

## 1. Purpose

This manual explains the inspection procedure and important handling points of MHF 7S3.0mm High Cycle F Inspection Adapter, the inspection adapter of MHF 7S Receptacle, for proper and proper use.

## 2.Product Name/Product No

### 2.1 Inspection Adapter

Product Name: MHF 7(S) RECEPTACLE HIGH CYCLE F N30 SMPM ADAPTER

Product No : 91145-0001

### 2.2 Conversion Cable

Product Name: MHF Series N30 SMPM(J) To SMA(J) ADAPTER CABLE

Product No : 91197-300J

Product Name: MHF Series N30 SMPM(J) To SMA(P) ADAPTER CABLE

Product No : 91197-300P

### 2.3 Connector to be inspected

Product Name: MHF 7S Receptacle

Product No : 20981-001E-02

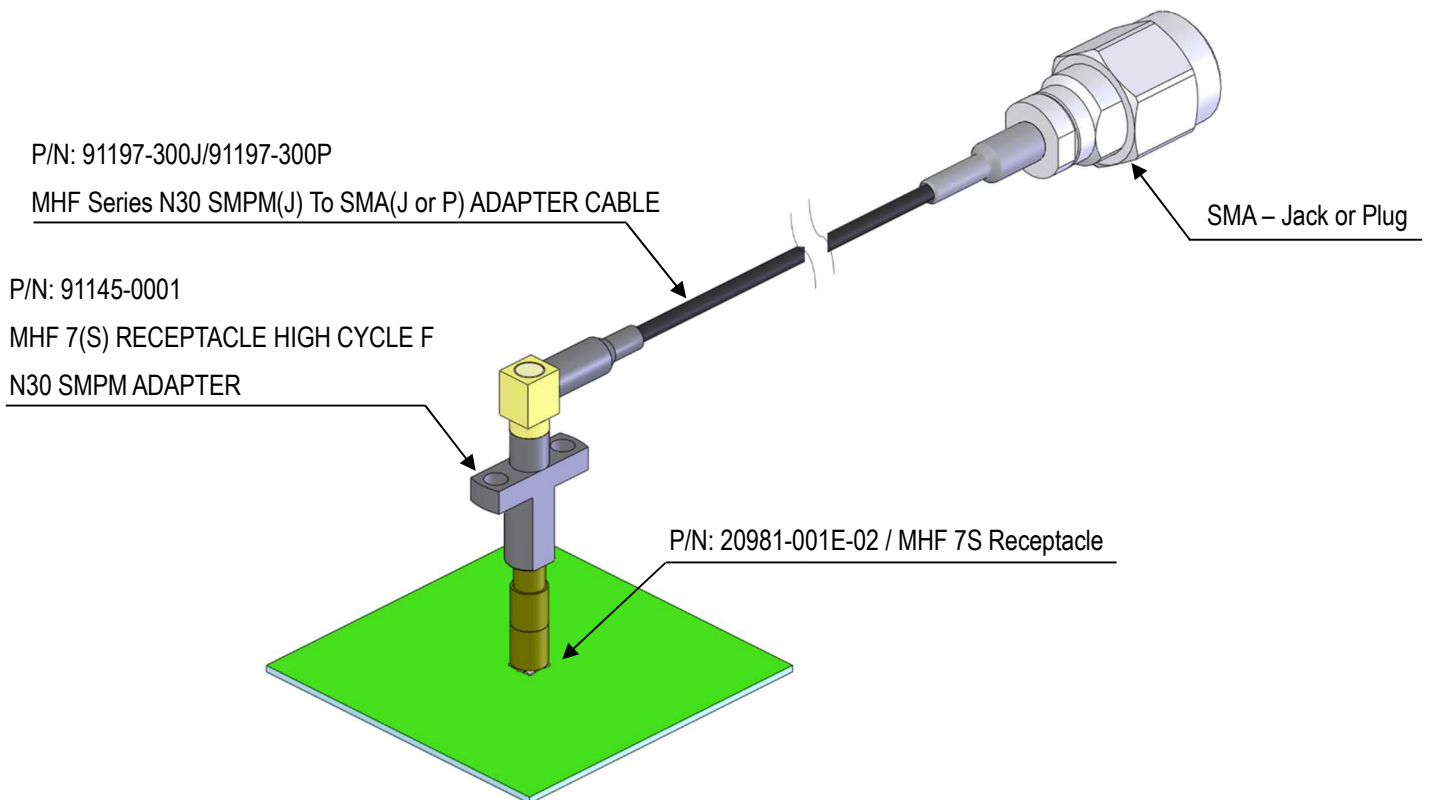
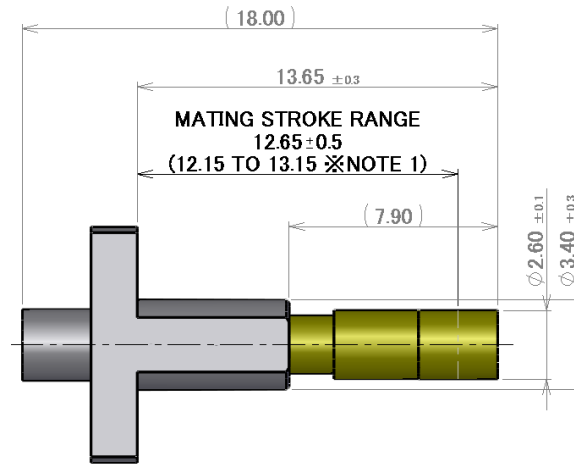


Fig.1 Product Name

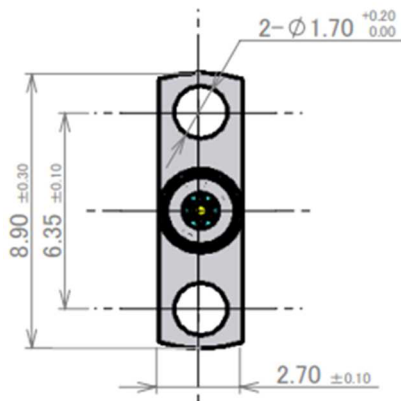
### 3. Inspection adapter mounting dimensions / Guidelines for Peripheral Components

When arranging parts around the MHF 7S Receptacle, please arrange the parts so that they do not interfere with surrounding parts when inspecting the object to be inspected.

【Inspection adapter dimensions】



【Flange Dimensions】



【Recommended panel cut dimensions】

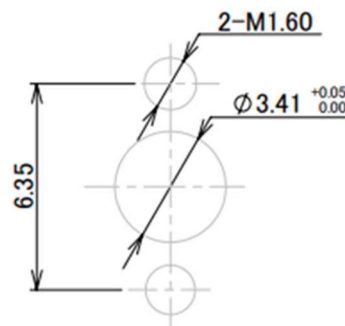


Fig.2 Product Dimensions

【Inspection adapter dimensions】

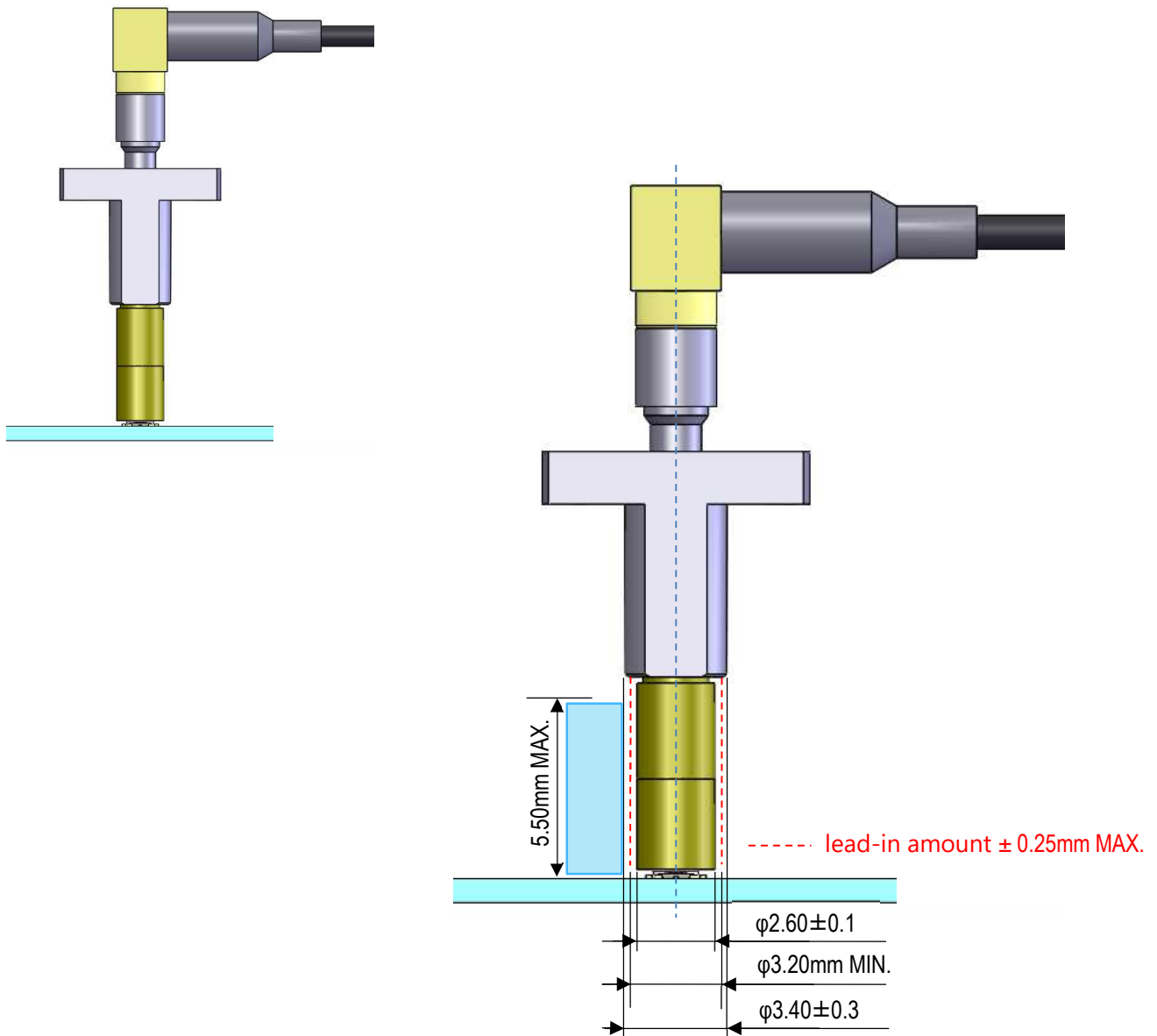


Fig.3 Component placement prohibited area

[CAUTION]

To prevent interference, do not place other parts which is 5.5mm or higher within 3.20mm dia. of the object to be inspected.  
If surrounding parts interfere with the inspection adapter during inspection, parts or the inspection adapter may be damaged or inspection failure may occur.

## 4. Installation Guidelines

Insert the inspection adapter deep into the Cable Socket as shown in Fig. 4.

The number of mating and unmating of the inspection adapter and Cable Socket is 100 cycles MAX.

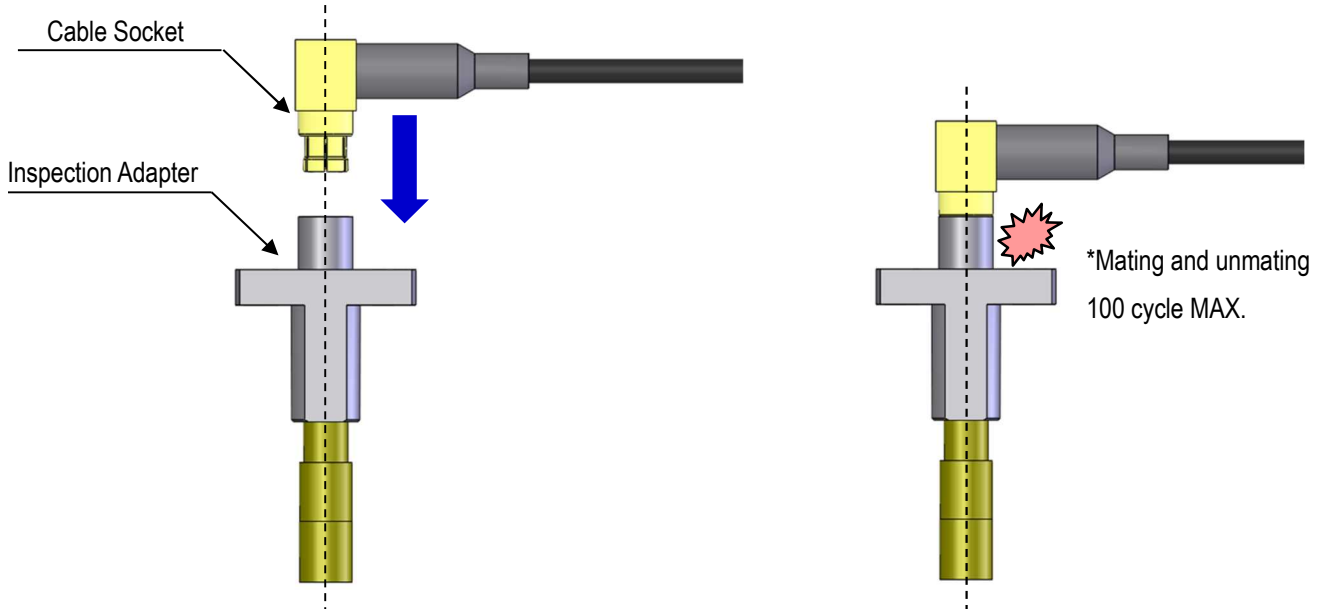


Fig.4 Installation Guidelines

### [CAUTION]

If mated more than 100 times, it will be damaged and cannot be inspected accurately.

## 5. Connect SMA-P to a measuring instrument method

Attach SMA-P to the measuring instrument as shown in Fig. 5.

When installing, please fix at 0.57 Nm ~ 0.98 Nm, which is the appropriate torque value for SMA-P.

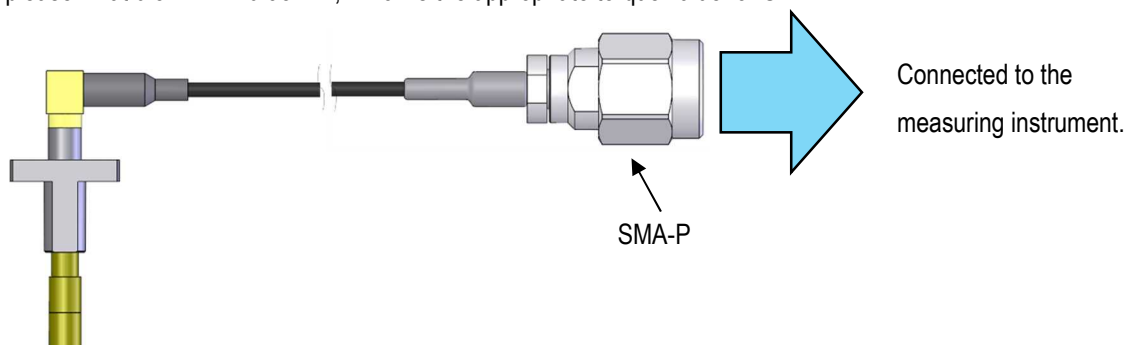


Fig.5 Method of connection to the measuring instrument

### [CAUTION]

When connecting to a measuring instrument, be sure to turn the SMA-P side and use a torque wrench with the proper torque value.

Accurate measurements cannot be obtained unless the required torque value for fixing is satisfied.

Applying more torque than necessary may cause damage to the SMA-P connector.

## 6. Examples of Inspection Adapter Usage

When using multiple inspection adapters side by side as shown in Fig. 6, install them according to the dimensions shown in the figure.

When inspecting with this inspection adapter, please perform the inspection within the inspection dimensions shown in Fig. 7.

[ When the object to be inspected is 3pcs ]

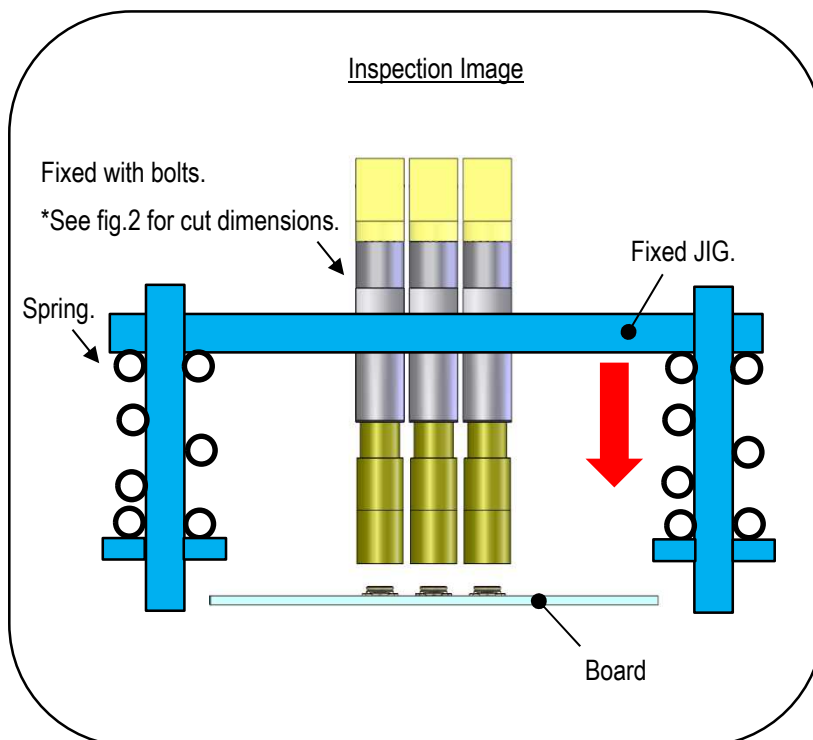
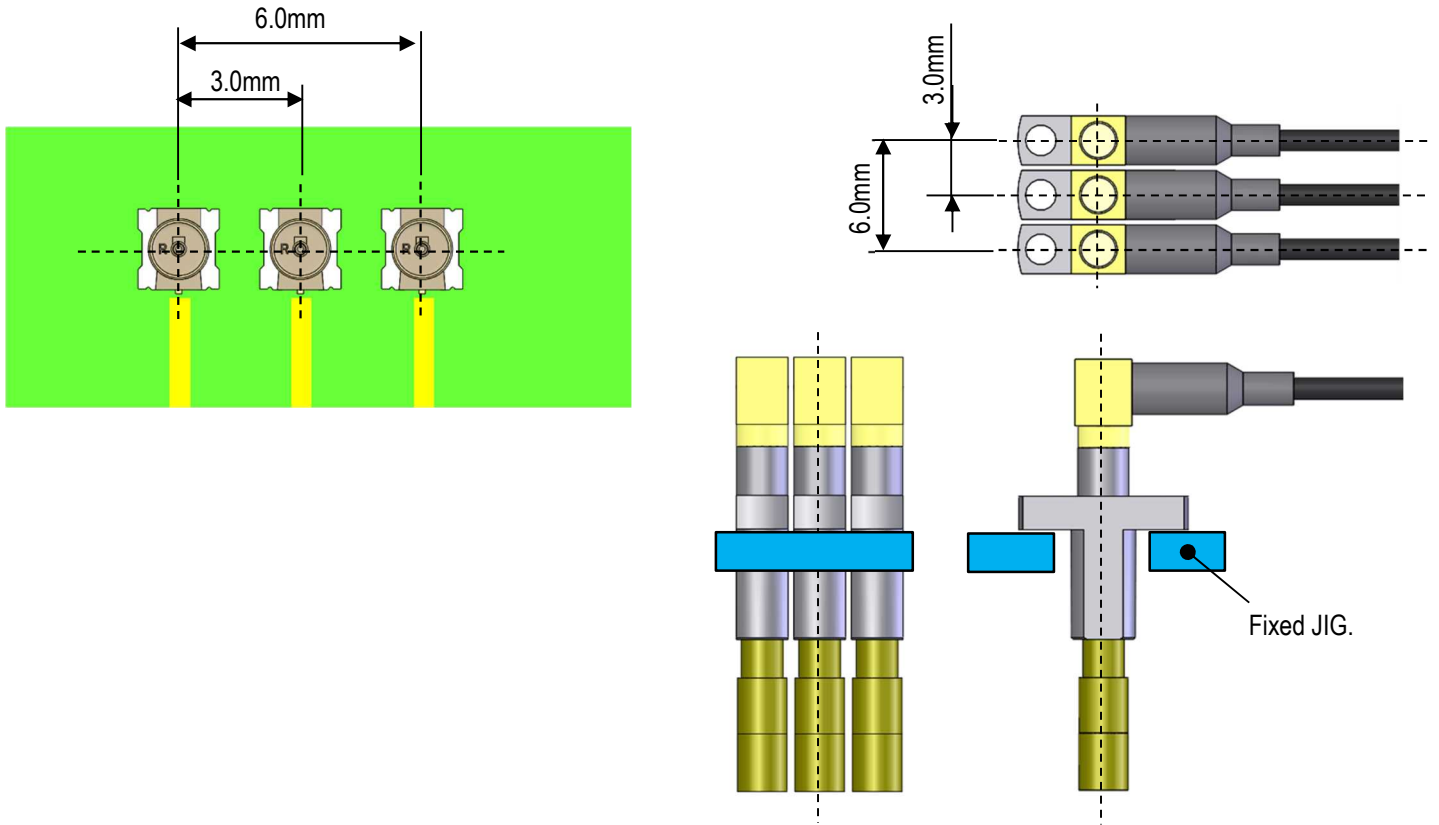


Fig.6 Inspection adapter Example of use

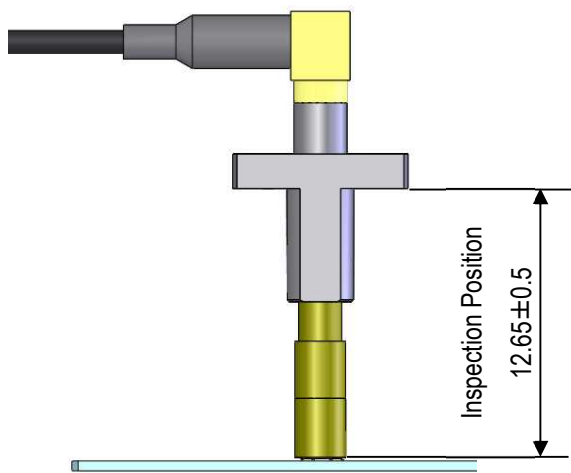


Fig.7 Inspection Position

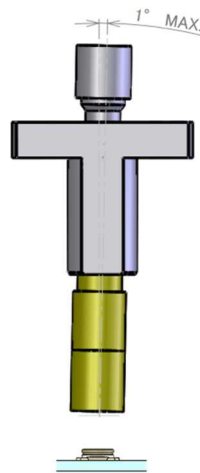


Fig.8 Allowable Angle Amount

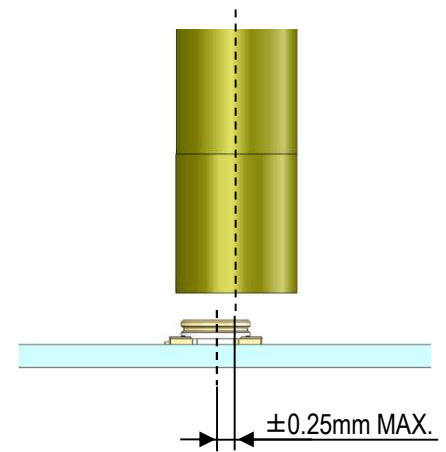


Fig.9 Axis misalignment allowance

**[CAUTION]**

1. Refer to Figs. 2, 6, and 7 for the design of the JIG to which the inspection adapter is to be attached.
2. Tilting the adapter more than 1° when mating may result in inaccurate measurements and may also damage the adapter and the MHF 7S Receptacle.
3. If the amount of axis misalignment between this inspection adapter and the MHF 7S Receptacle exceeds the allowable amount of axis misalignment, inspection may not be possible.  
In addition, the fixed JIG, inspection adapter, and MHF 7S Receptacle may be damaged.