

# MHF<sup>®</sup> -TI Connector

Part No.PLUG: 20859-001R-0\*, RECEPTACLE: 20860-001E-0\*

## Instruction Manual

4	S26186	May 20, 2026	K.Hanaki	S.Kamada	Y.Hashimoto
3	S26093	March 12, 2026	K.Hanaki	S.Kamada	Y.Hashimoto
2	S26082	March 6, 2026	K.Hanaki	S.Kamada	Y.Hashimoto
1	S20168	March 9, 2020	K.Tanaka	Y.Fukumoto	T.Yamauchi
Rev.	ECN	Date	Prepared by	Checked by	Approved by

This manual outlines precautions for proper handling of I-PEX MHF-TI Connector.

**【Part name and part number】**

Product name MHF-TI PLUG ASSY

Product No. 20859-001R-0\*

Product name MHF-TI RECEPTACLE ASSY

Product No. 20860-001E-0\*

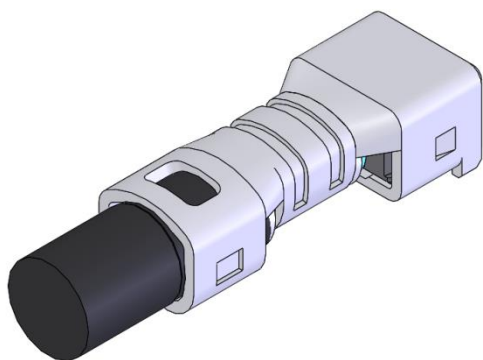


Fig. 1 MHF-TI PLUG

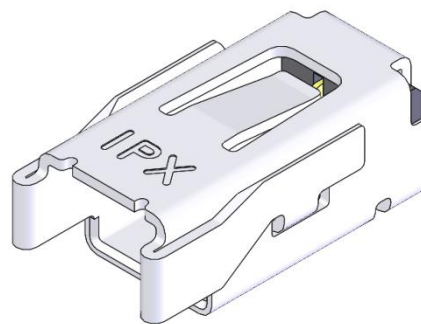


Fig. 2 MHF-TI RECEPTACLE

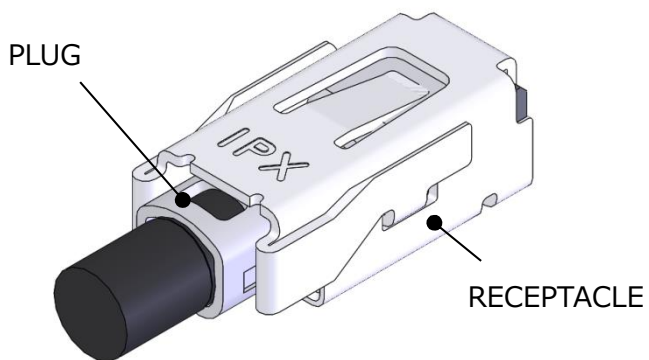


Fig. 3 Mating

## 【Connector insertion method】

- ① Place a plug on the receptacle guide shown in Fig. 4.  
Be sure to set incorrect fitting prevention shape to bottom side.

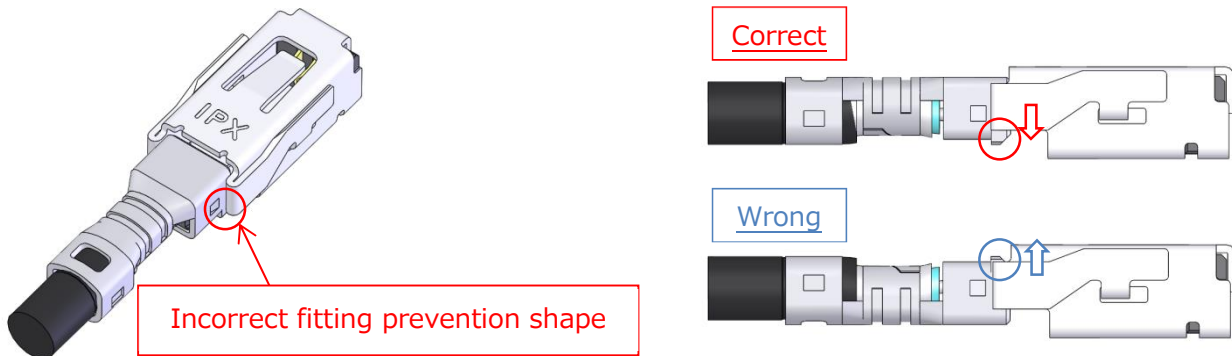


Fig. 4

- ② After confirm the plug direction, insert horizontally. Allowable insertion angle is 5 degrees maximum.

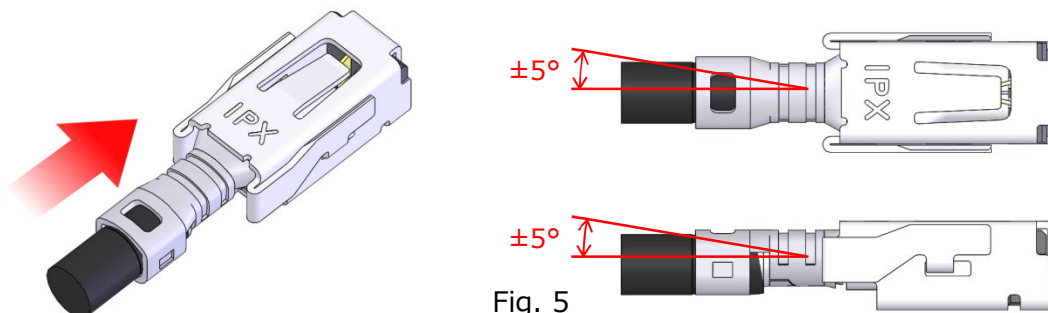


Fig. 5

- ③ Insert the plug until it contacts the receptacle. Both locks click when connectors completely mated.

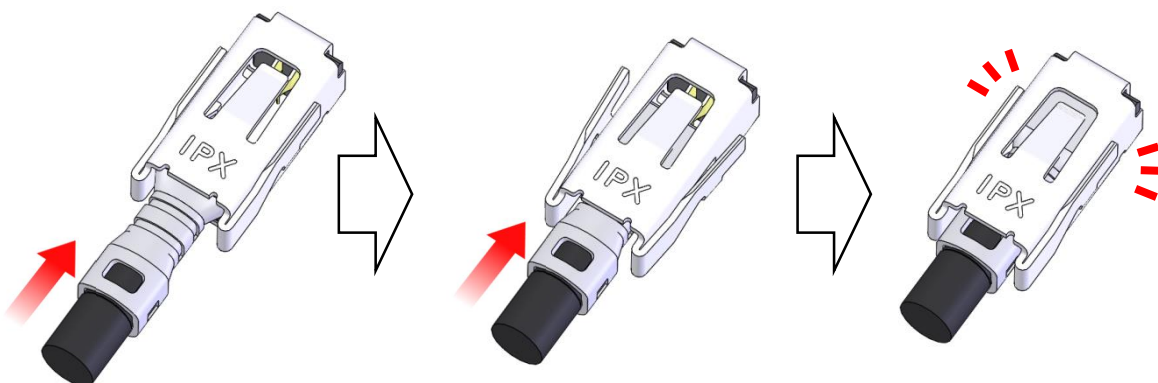


Fig. 6

## 【Connector Withdrawal Method】

This connector is mechanical lock type. Unlocking is needed for unmating. Please use the designated JIG in unlocking.

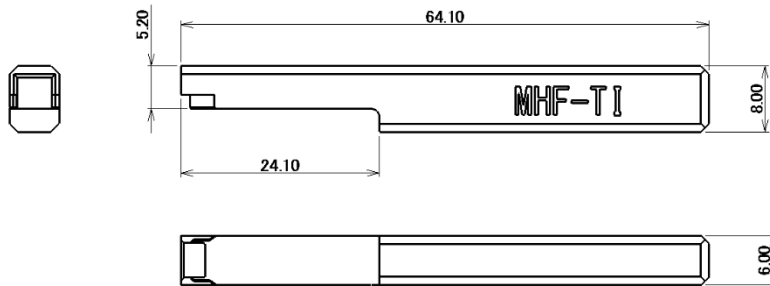


Fig. 7 MHF-TI Unmating JIG

- ① First, set the unmating JIG to the receptacle along the guide shape as shown in Fig. 8. Next, push the JIG vertically and unlock the mating lock. Keep unlock condition with JIG and pull the plug horizontally for unmating. Unmating operation will be easier with fixed receptacle.

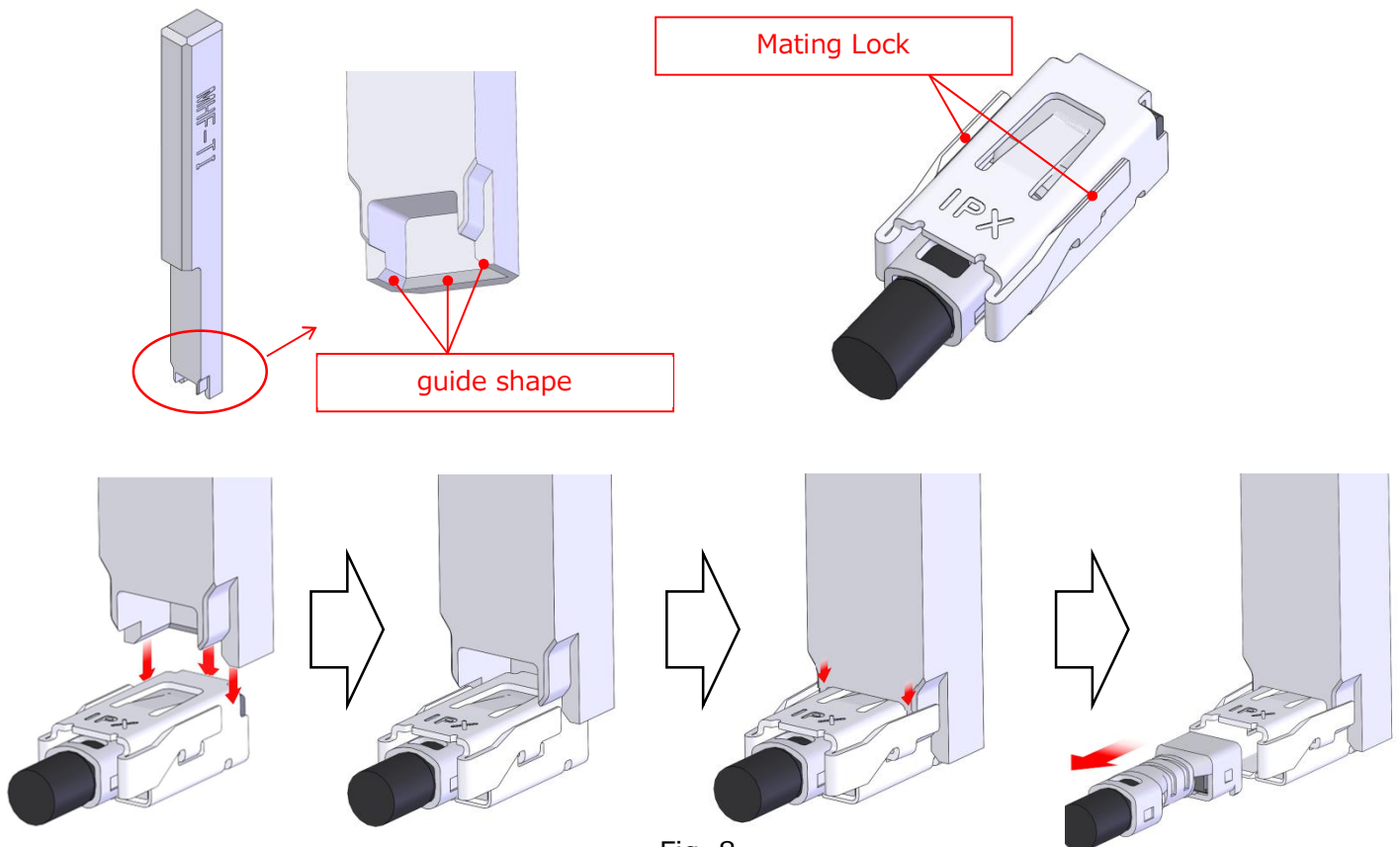


Fig. 8

## 【Precautions for placing peripheral components】

Side locks move during mating operation. Keep enough space around the connector to prevent interference with locks. Refer to Fig. 9 and Fig. 10 for placing area of peripheral components.

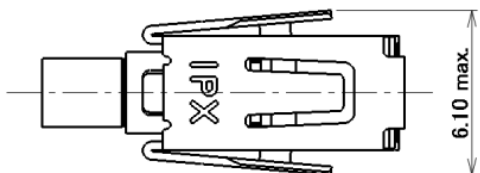


Fig. 9 Mating lock movable range

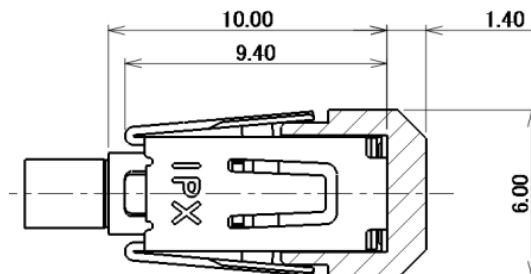


Fig. 10 Unmating JIG set condition