

CABLIN[®]-UY Connector (Wire Type Plug)

Part No.20857-0**T-##-#,20854-0**E-##-#

Instruction Manual

4	S26010	January 8, 2026	T.Yamaguchi	T.Tanigawa	T.Masunaga
3	S23374	October 20, 2023	W. Lau	Y. Shimizu	M. Takemoto
2	S21118	March 18, 2021	S. Yamaguchi	T. Tanigawa	H. Ikari
1	S20033	January 20, 2020	Y. Fukumoto	T. Yamauchi	Y. Shimada
Rev.	ECN	Date	Prepared by	Checked by	Approved by

This manual explains the insertion & withdrawal methods and provides cautions to handle our CABLINE-UY connector (Wire type plug) properly and safely.

【Connector parts No.】

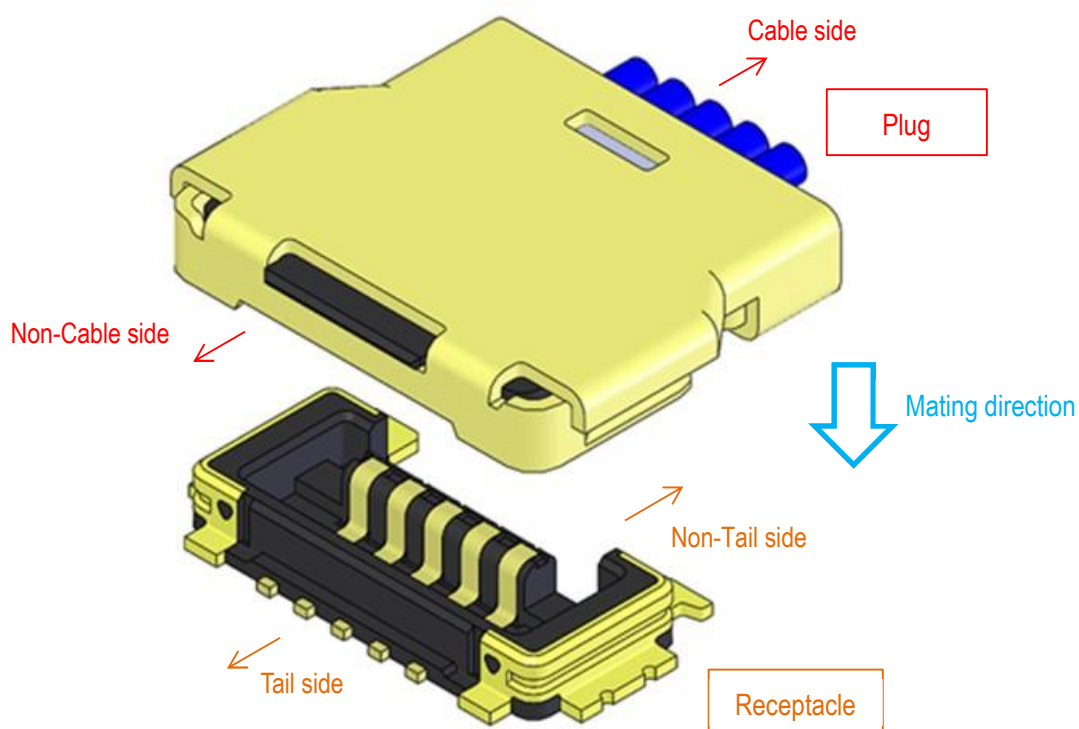
CABLINE-UY PLUG: 20857-0**T-##-#

CABLINE-UY RECEPTACLE: 20854-0**E-##-#

“ ** ” part shows the number of the connector position.

“ # ” part shows the variation. Please refer to the drawing for details.

【Names of each part of the connector】



【Pushing and Pulling JIG】

In mating/un-mating, a special jig shown in Fig.1, is recommended to avoid excessive stress to connector.
The cable connector is designed to hook this "pushing and pulling JIG". (Fig. 2)

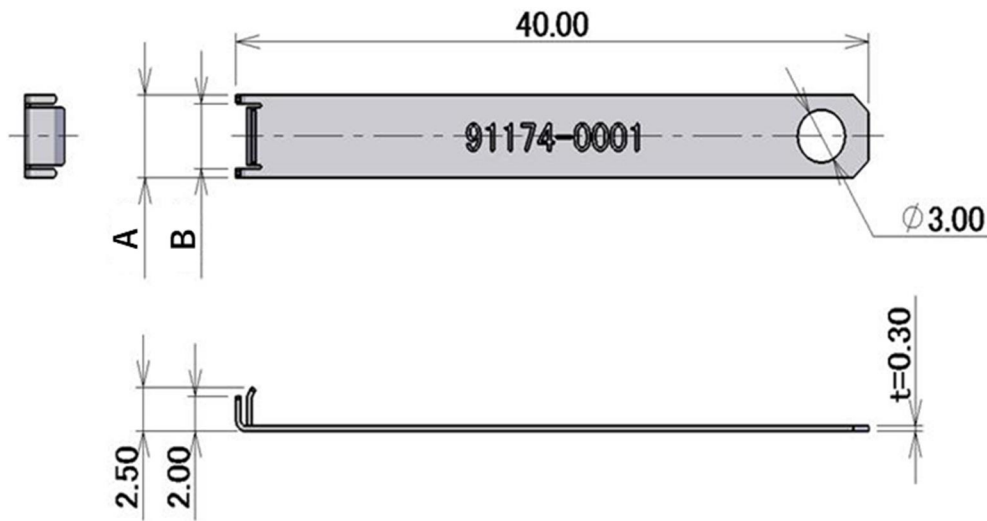


Fig.1 Recommended pushing and pulling JIG

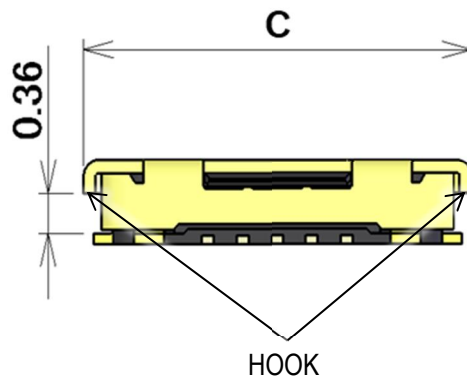


Fig.2 PLUG connector with hooks for pulling

pos.	A	B	C
5P	4.70	3.69	3.90
10P	6.45	5.44	5.65
12P	7.15	6.14	6.35

Unit:mm

【Connector insertion manual】

1. Procedures for mating by using pushing and pulling JIG

① How to hold a cable connector.

As shown in Fig.3, slide the pushing and pulling jig horizontally until the jig stops at the stopper of the plug connector. The jig should be holding the plug entirely.

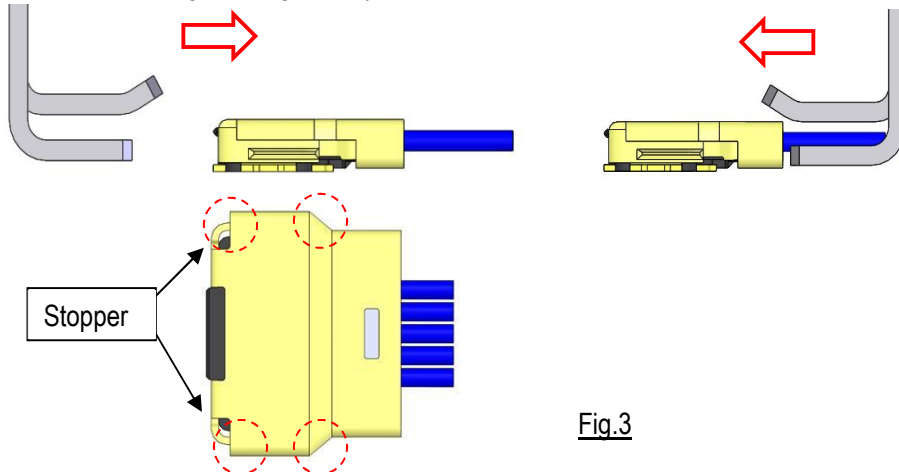


Fig.3

② Set so that the orientation of the plug connector matches that of the receptacle connector.

As shown in Fig.4, set the plug connector parallel to the receptacle connector.

And, make sure that the receptacle connector and the plug connector are oriented as shown in Fig.5.

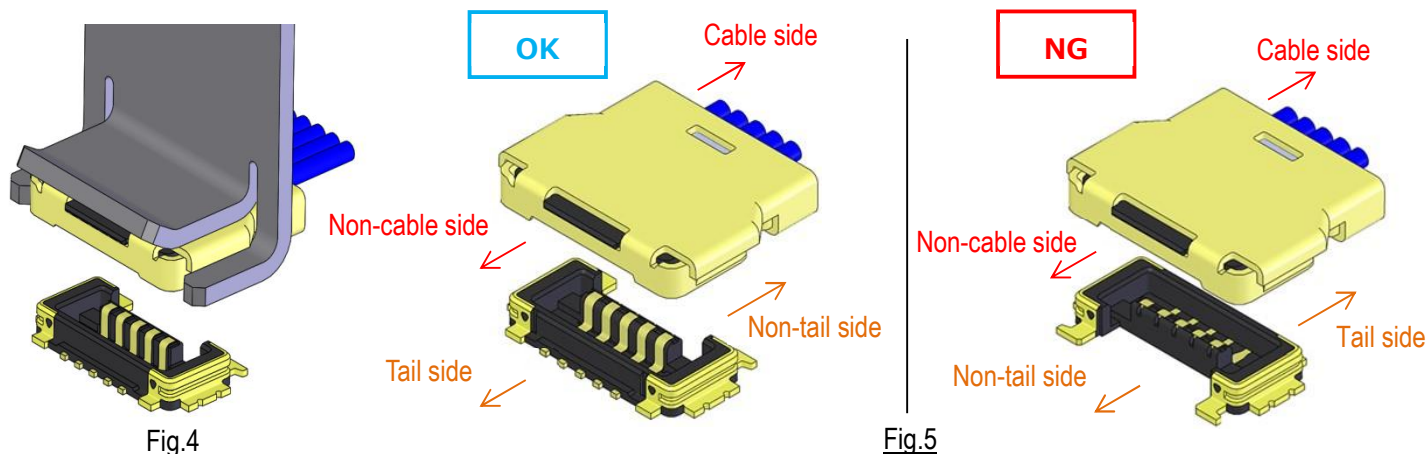


Fig.4

Fig.5

③ Pre-insert the plug connector into the receptacle connector.

At the time of pre-insert, lightly move it back and forth and left and right as shown in Fig.6, and check that the plug connector does not move and the axes are aligned.

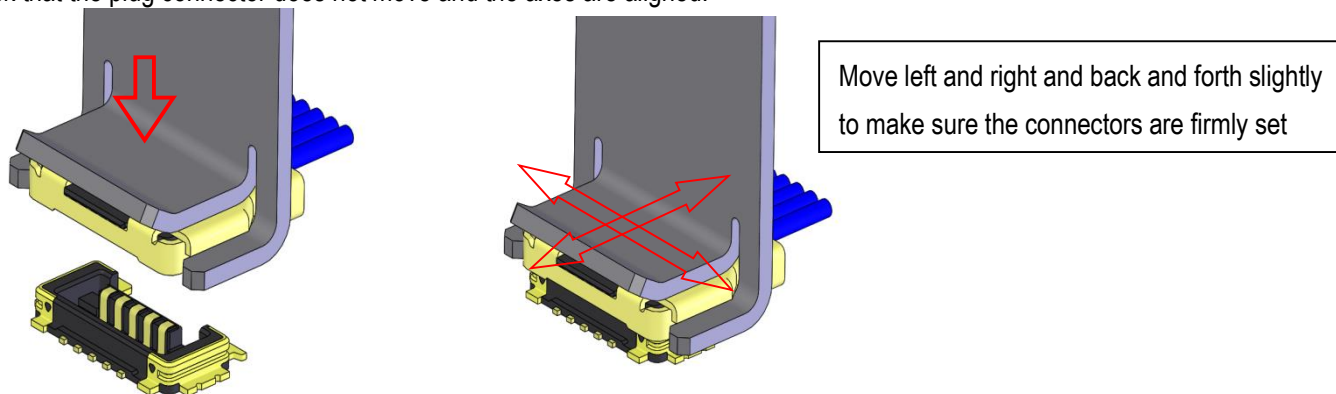


Fig.6

- ③ Insert the plug connector into the receptacle connector.

As shown in Fig.7, push the center of the plug connector vertically, and when you hear a click, the mating is completed.

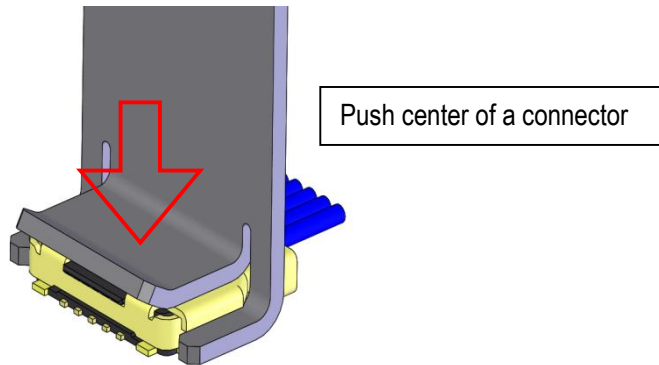


Fig.7

2. Procedures for mating without pushing and pulling JIG

- ① How to hold a cable connector

Hold a cable end of the cable connector as shown in Fig. 7.

As with the case of using the pushing and pulling JIG, pay attention to the orientation of the connector as shown in Fig.5.

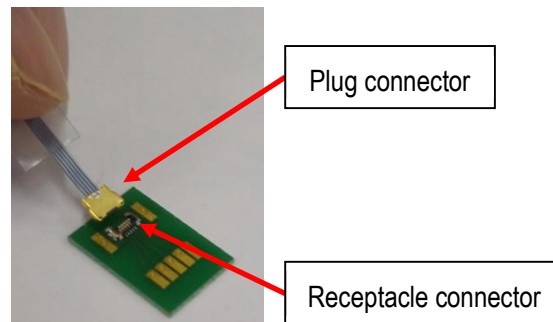


Fig.7

- ② Pre-insert the plug connector into the receptacle connector.

At the time of pre-insert, lightly move it back and forth and left and right as shown in Fig.9, and check that the plug connector does not move and the axes are aligned.

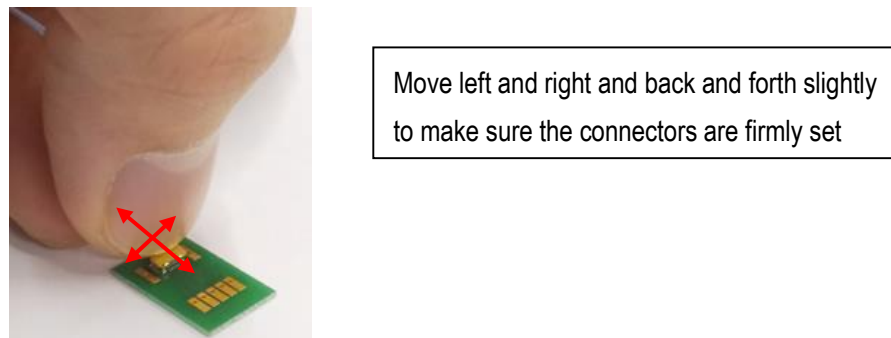
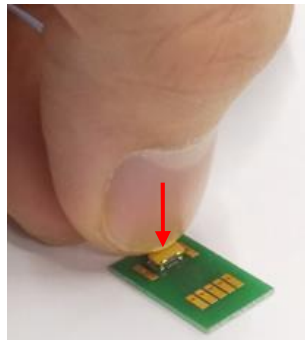


Fig.9

- ③ Insert the plug connector into the receptacle connector.

As shown in Fig.10, push the center of the plug connector vertically, and when you hear a click, the mating is completed.



Push center of a connector

Fig.10

<Caution 1>

The plug connector and the receptacle connector should lightly touch each other. Be careful for the insertion load. The insertion load may damage the connectors if the connectors were misaligned as shown in Fig.11.

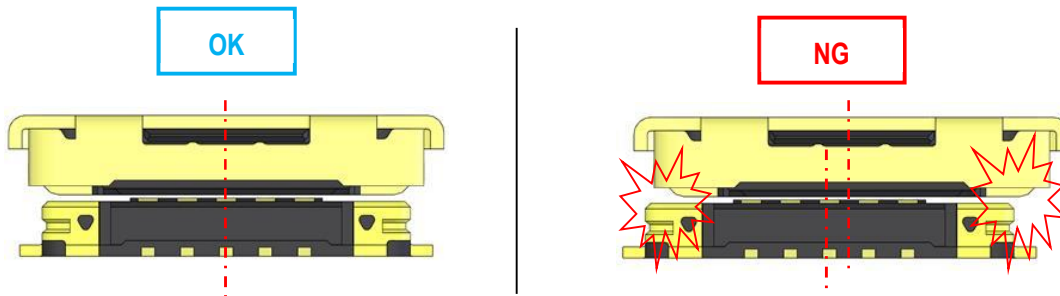


Fig.11

<Caution 2>

Please make sure to set the cable side connector parallel to the board as shown in Fig.12. If you mate in not parallel condition, connector will be damaged.

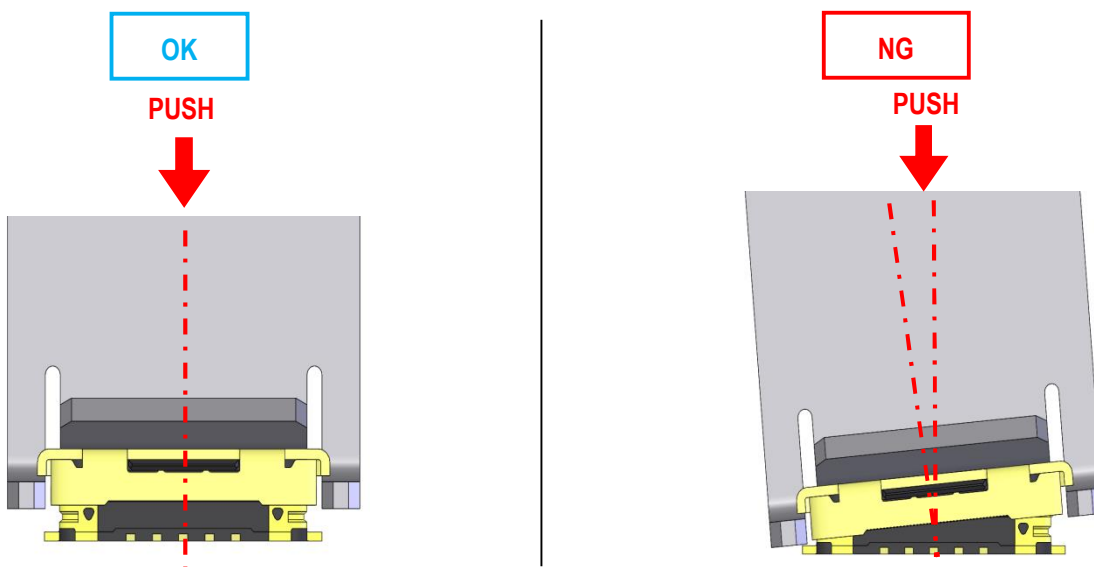


Fig.12

<Caution 3>

When using the pushing and pulling JIG, move the pushing and pulling JIG parallel to the connector as shown in Fig.13 after the insertion is completed, and completely separate it from plug connector.

If the JIG is pulled up without pulling it apart in parallel, it may cause disengagement, semi-mating, or damage to the connector.

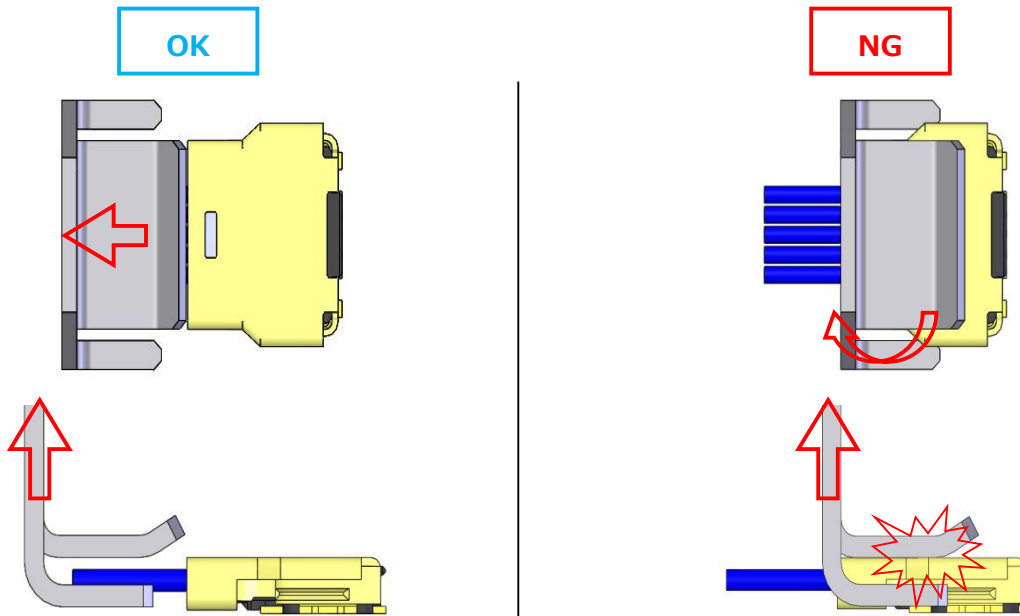


Fig.13

【How to withdraw cable connector】

Please use the pushing and pulling JIG when removing.

- ① Slide the JIG from the cable pull-out direction parallel to the connector until it contact the stopper so that you can hold the entire plug connector.(fig.14)

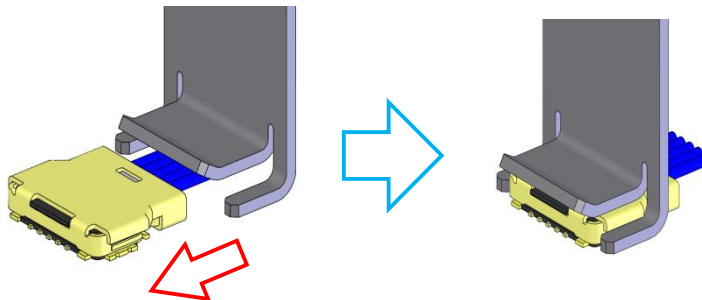


Fig.14

- ② Raise the jig vertically from the PCB surface. (Fig.15)

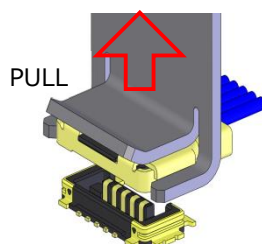
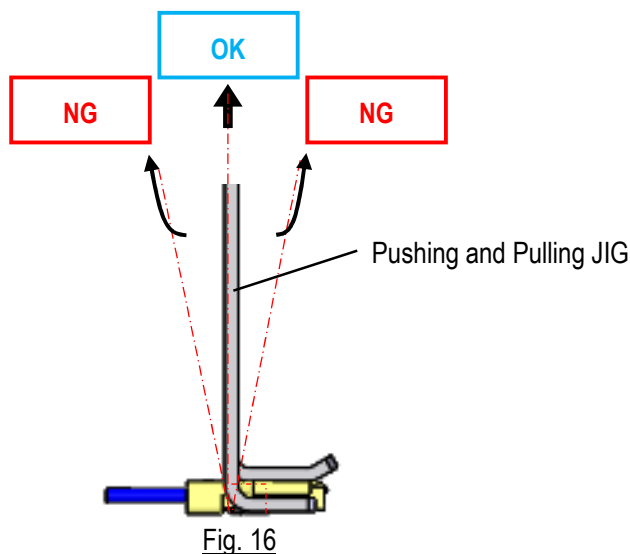


Fig.15

<Caution 4>

Pushing and Pulling JIG must be raised vertically from the PCB surface. (Fig.16)



<Caution 5>

Do not pull the cable to remove it. It may cause cable disconnection or connector damage. (Fig.17)



[CAUTION IN CABLE CONNECTOR HANDLING]

As shown in Fig.18, if the cable is routed so that force is always applied in the direction of the arrow, there is a risk of disengagement or damage to the connector, so be careful.

