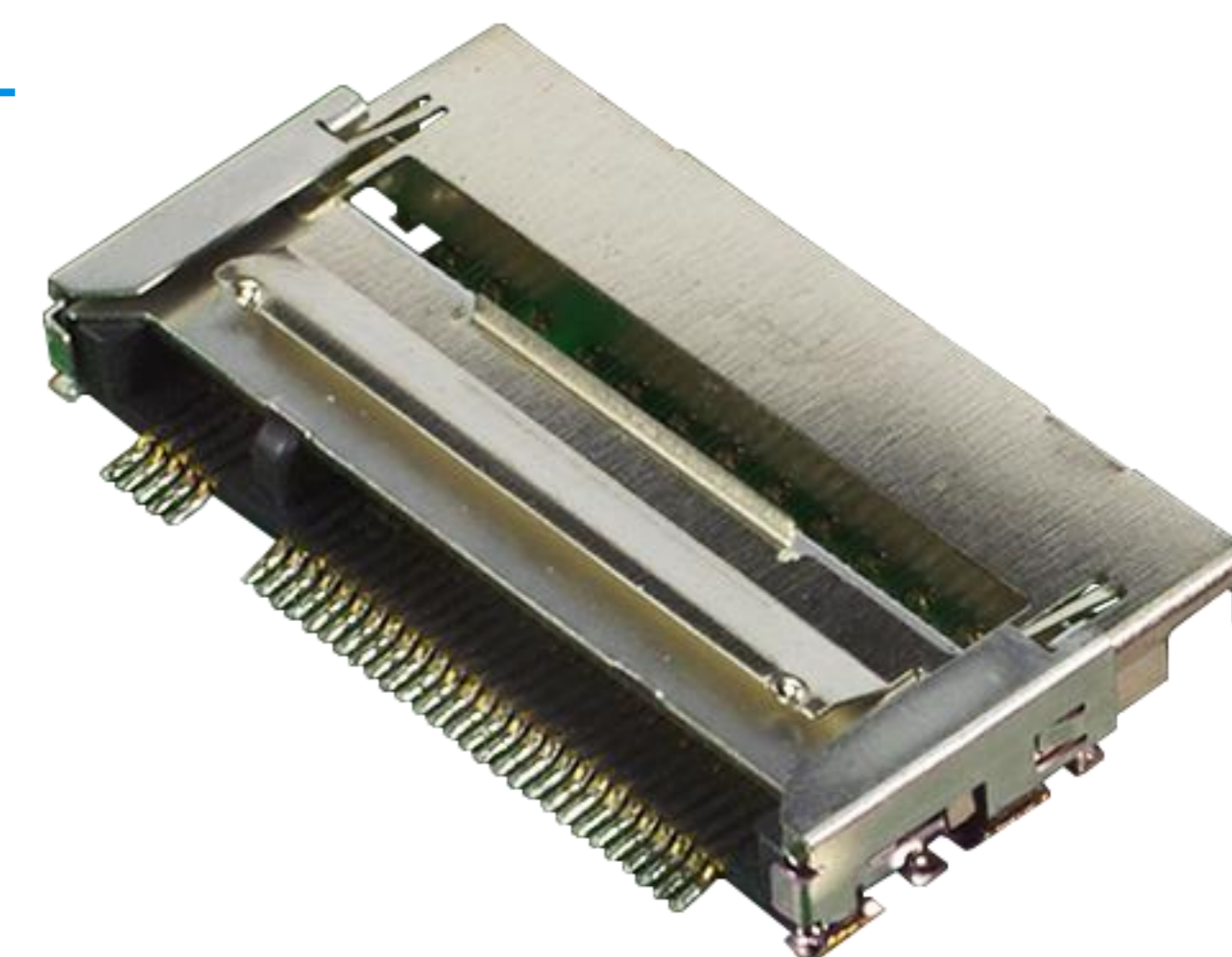


SX-M2

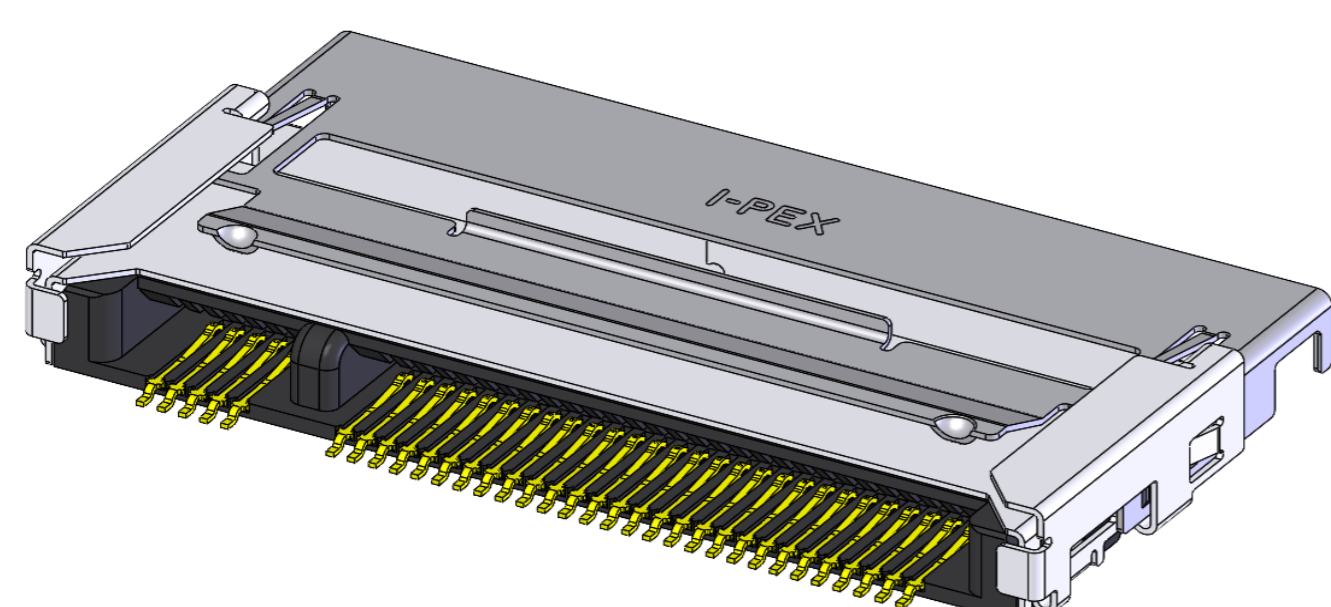
Shielded M.2 B-key card edge connector



Product Specifications:

Pin Count	67 pin
Contact Pitch	0.5 mm
Current Rating	0.5 A AC/DC (per contact)
Voltage Rating	35 V AC (per contact)
Contact Resistance	55 mΩ max.
Operating Temperature	233 to 358 K (-40 to 85 °C)

▶ **Enhanced shielding structure on the M.2 connector for superior EMI suppression**



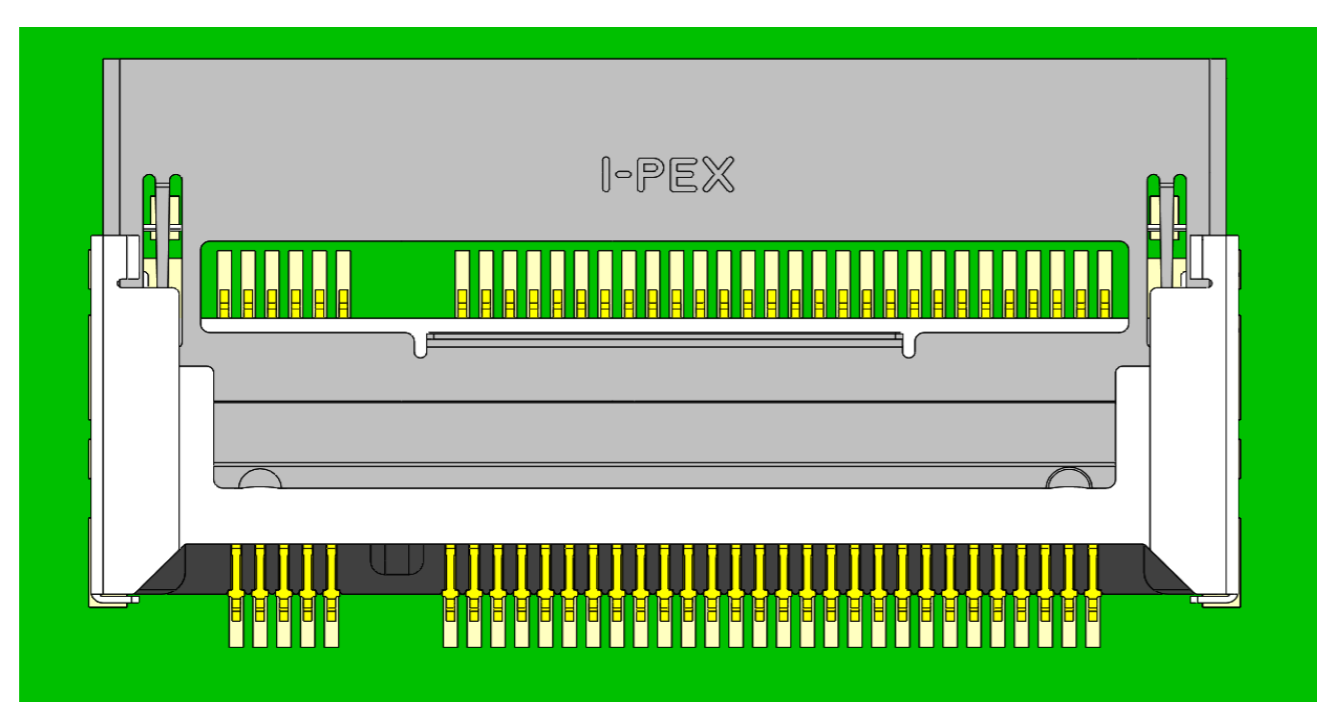
Reduce Noise Leakage Around Connector

	M.2 Connector	SX-M2
Simulation Model		
Simulation Results		

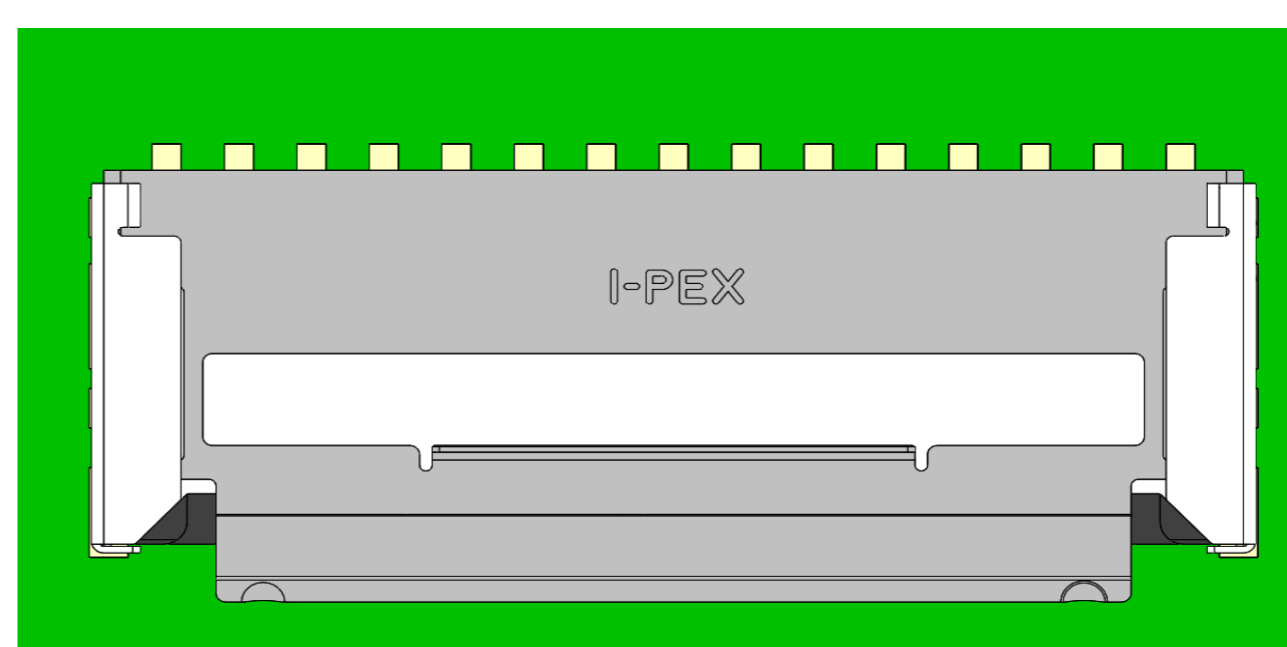
EMI leakage

No EMI leakage

▶ **The contact mounting area can be visually inspected**

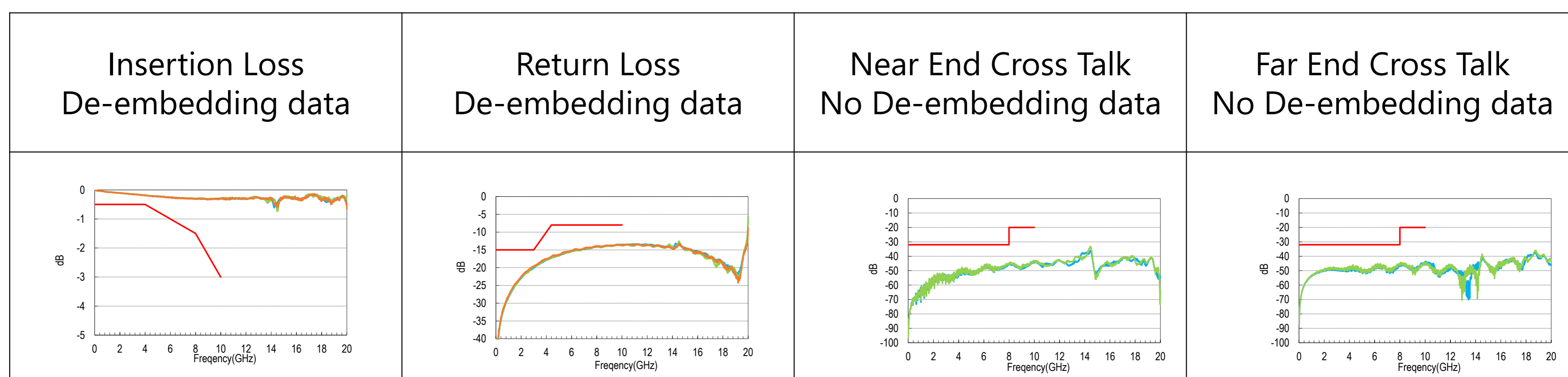


Contacts are visible for inspection when the cover is open



Closing the cover hides the contacts and provides EMI protection

▶ **M.2 compliant signal integrity performance**

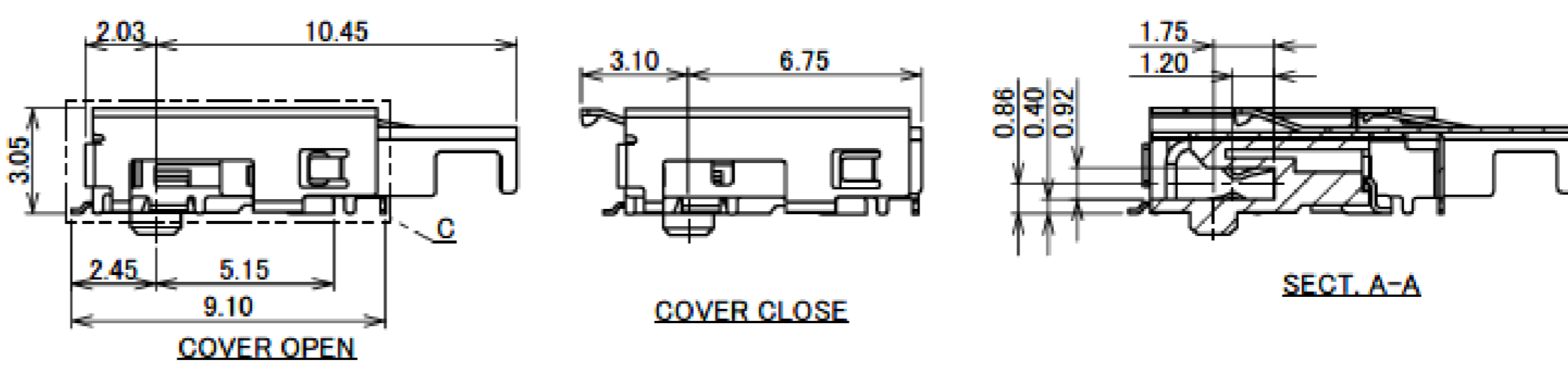
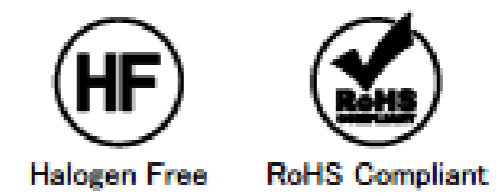
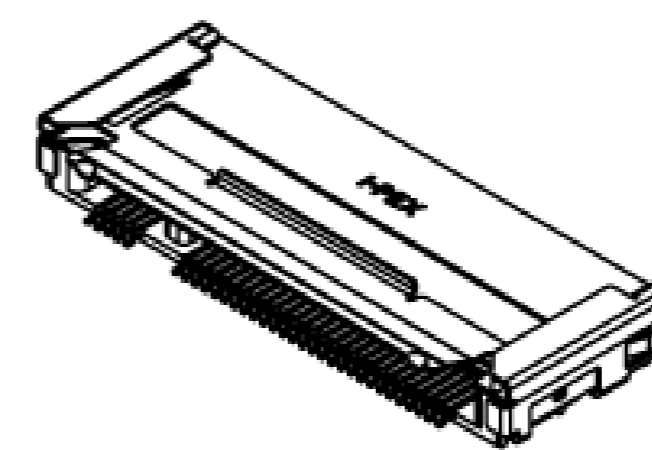
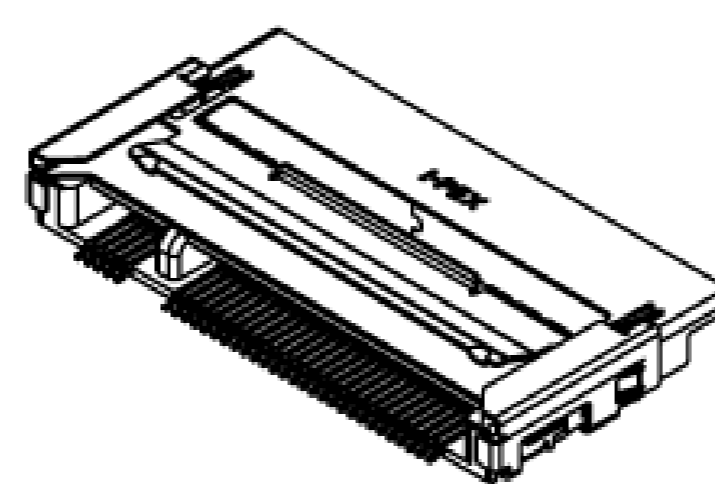
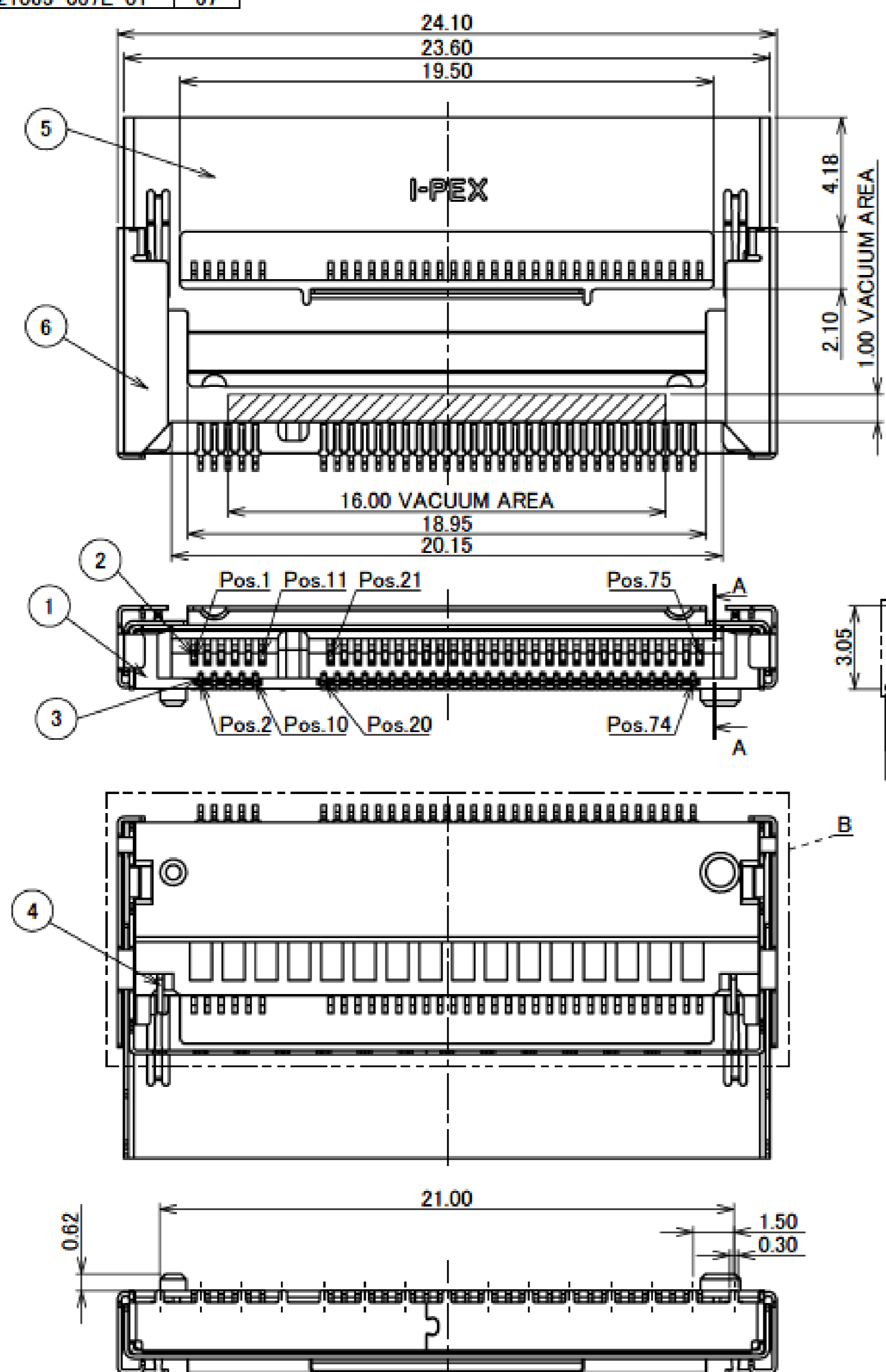


Simulation Results (Reference Data)

Component Parts Details

SX-M2

RECOMMENDED PART No.	21065-067E-01
PART NO.	Pos.
21065-067E-01	67

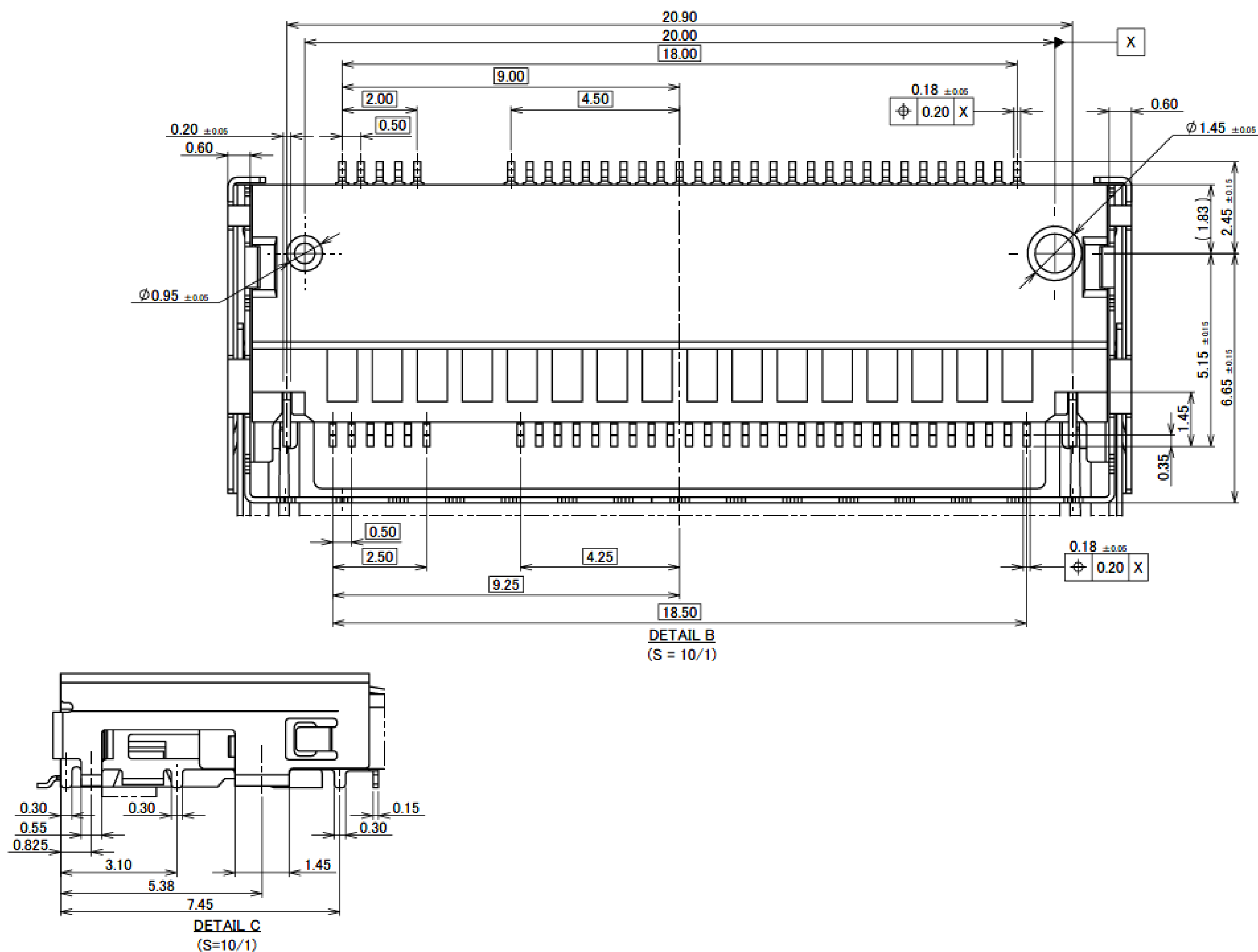


NO.	DESCRIPTION	MATERIAL	FINISH , REMARKS
6	SHIELD SHELL	SUS	Matt Sn 1.00 μ m MIN. OVER Ni 1.27 μ m MIN. (NO POLISH)
5	SLIDE COVER	SUS	-
4	HOLD DOWN	SUS	Matt Sn 1.52 μ m MIN. OVER Ni 1.27 μ m MIN. (NO POLISH)
3	LOWER CONTACT	PHOSPHOR BRONZE	CONTACT AREA : Au 0.254 μ m MIN. SOLDERING AREA : Au FLASH OTHER : Ni 1.27 μ m MIN.
2	UPPER CONTACT	PHOSPHOR BRONZE	CONTACT AREA : Au 0.254 μ m MIN. SOLDERING AREA : Au FLASH OTHER : Ni 1.27 μ m MIN.
1	HOUSING	LCP	UL94V-0, BLACK

SX-M2

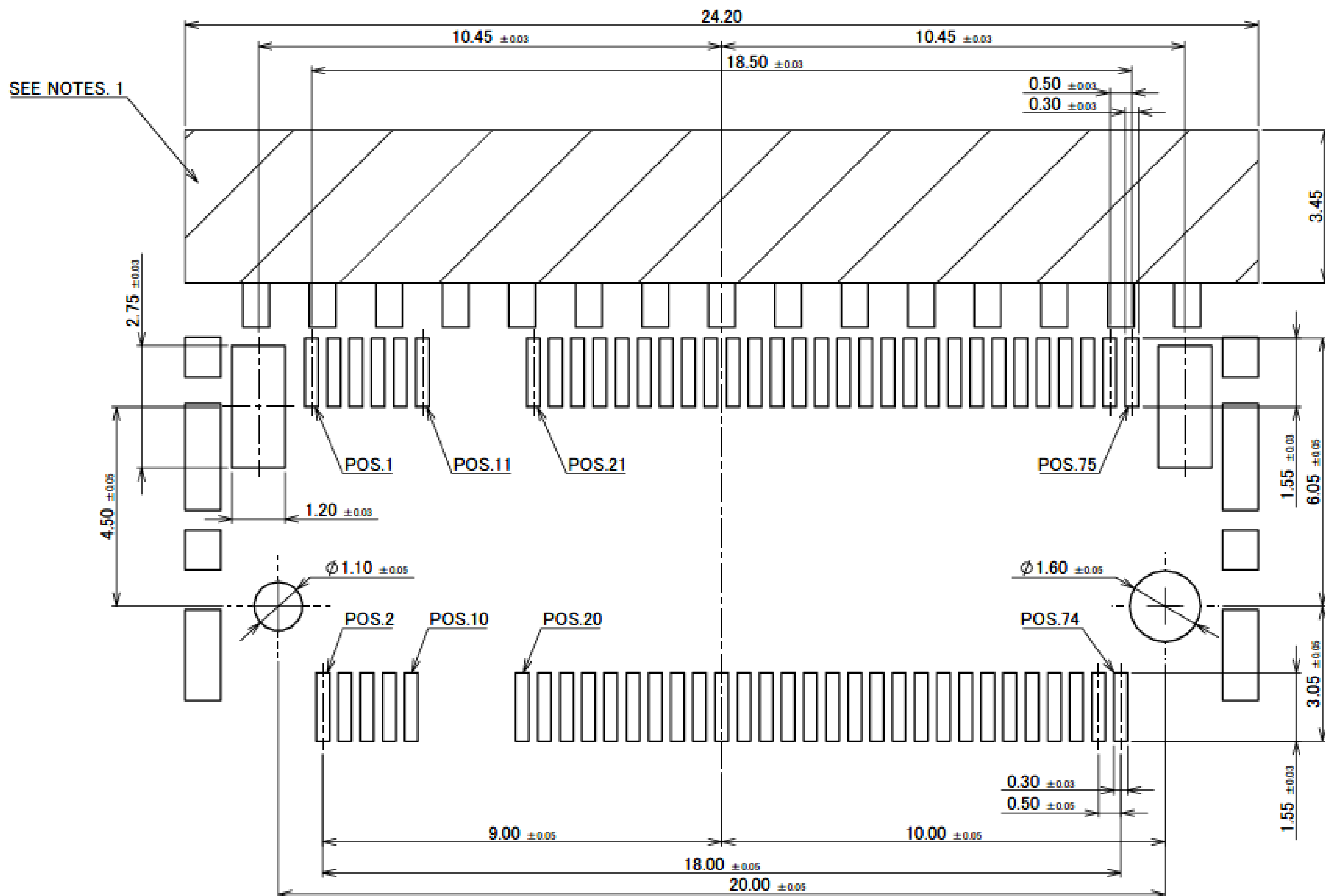
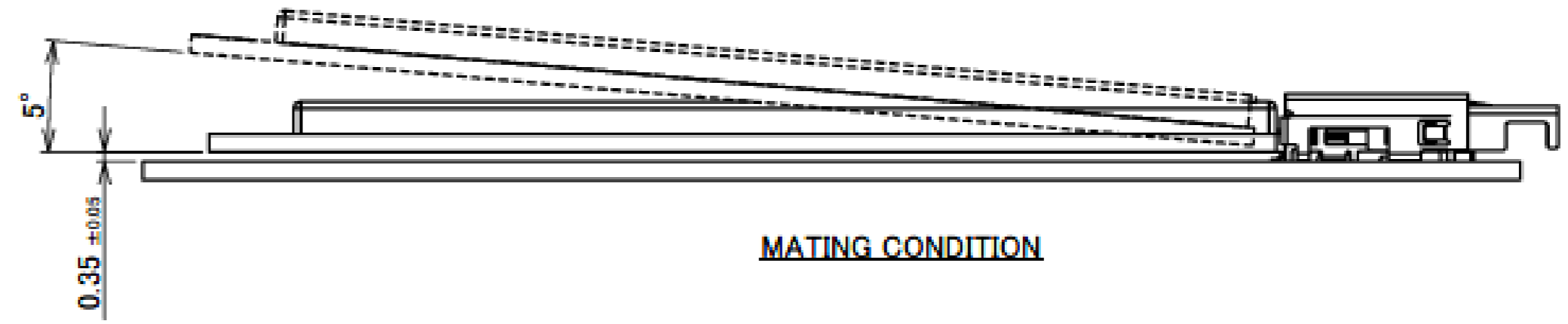
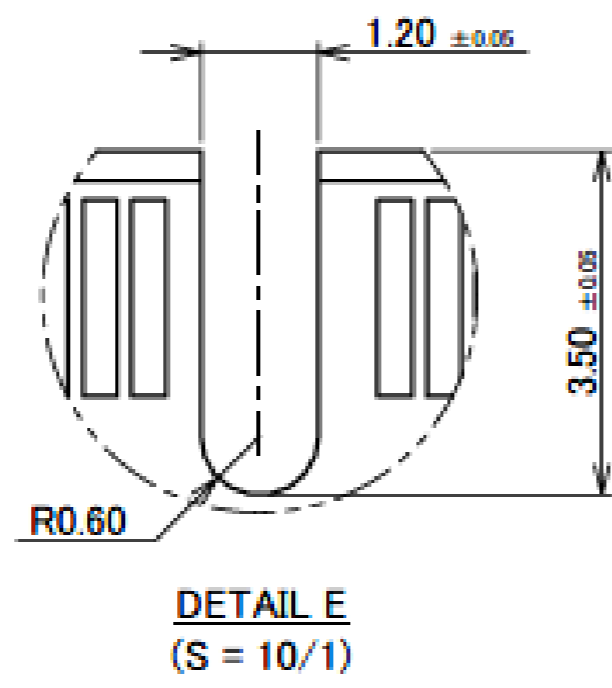
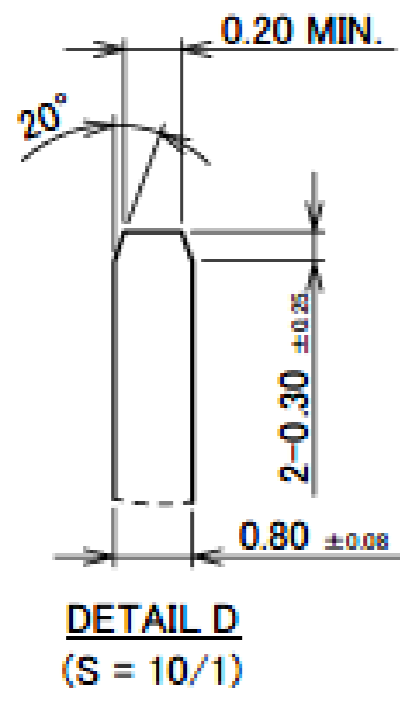
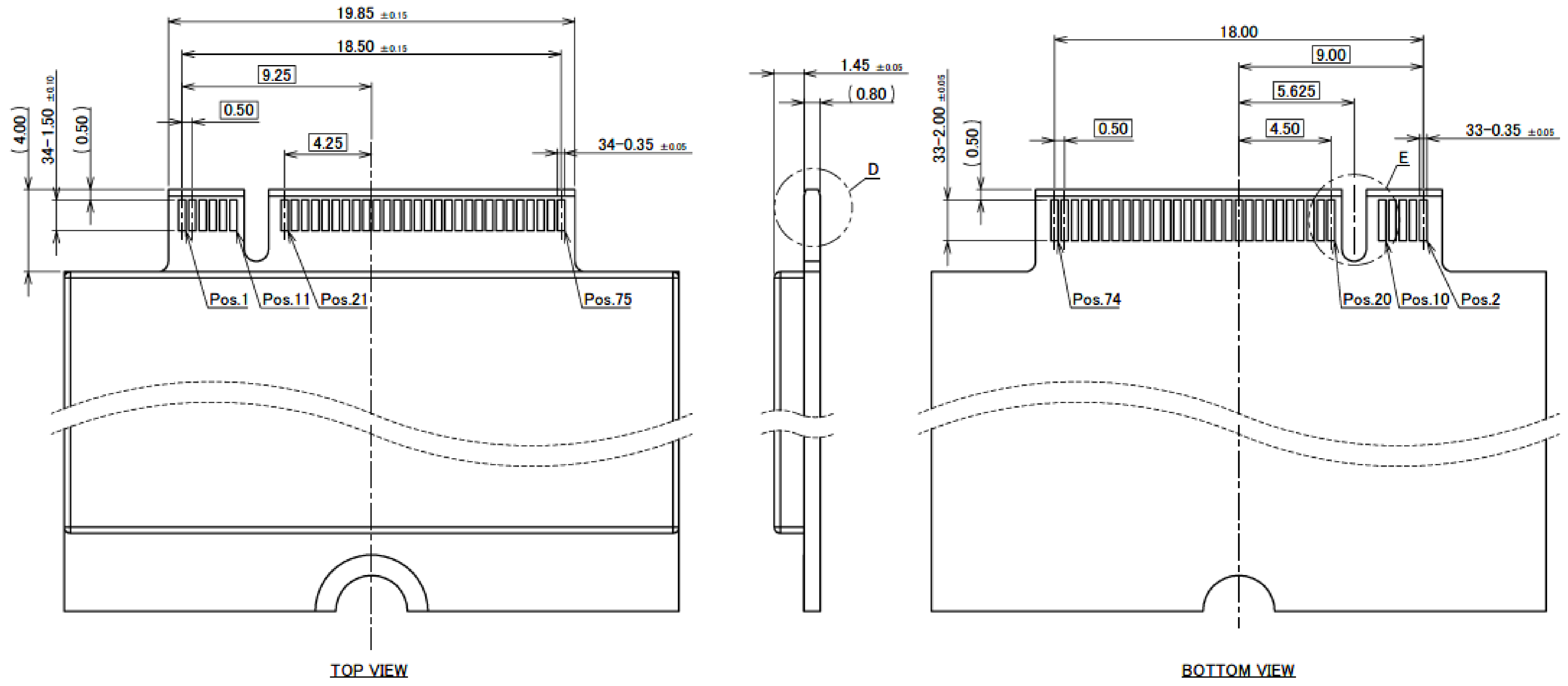
ITEMS	SPECIFICATION
RATED VOLTAGE	35V AC (PER CONTACT PIN)
RATED CURRENT	0.5A AC/DC (PER CONTACT PIN)
OPERATING TEMPERATURE	233 TO 353K (-40°C TO +80°C)
OPERATING HUMIDITY	95% MAX.
CONTACT RESISTANCE	INITIAL : 55mohm MAX. / AFTER TEST : \triangle 20mohm MAX.
INSULATION RESISTANCE	500Mohm MIN.
DIELECTRIC WITHSTANDING VOLTAGE	AC 300V 1min
DURABILITY	60 CYCLES
MATING FORCE	25N MAX.
UNMATING FORCE	25N MAX.
COPLANARITY	0.10 MAX.
PRODUCT SPECIFICATION	PRS-2951
TEST REPORT	TR-25032
PACKING STANDARD	PST-25022
INSTRUCTION MANUAL	HIM-26004
APPEARANCE CRITERIA No.	QLS-A***

Rev.0



Rev.0

SX-M2

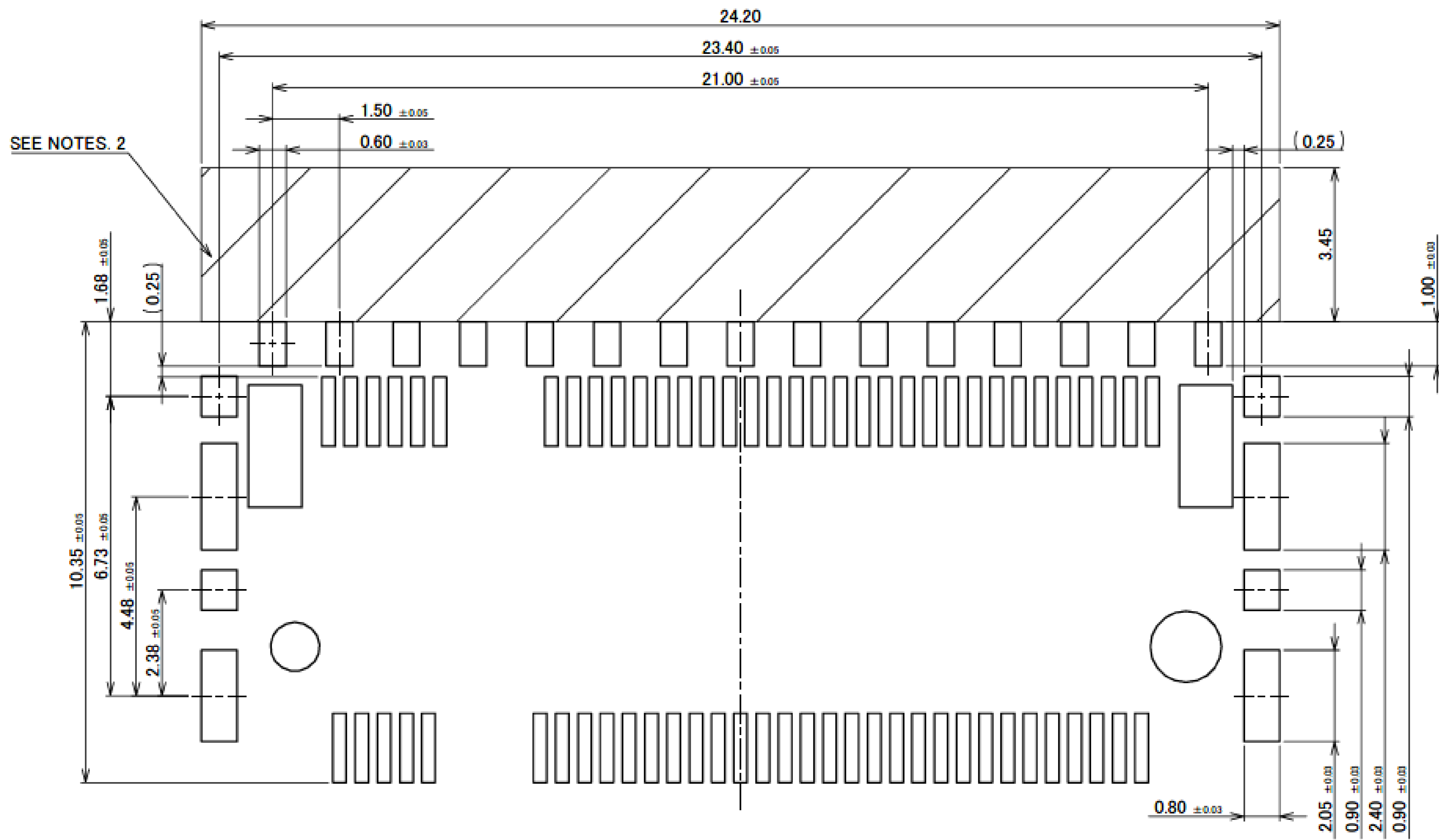


RECOMMENDED PCB & METAL MASK LAYOUT
(CONTACT AND HOLD DOWN)
METAL MASK THICKNESS : t=0.10 mm

NOTES.
1. DO NOT MOUNT ANOTHER COMPONENT IN THIS AREA

Rev.0

SX-M2

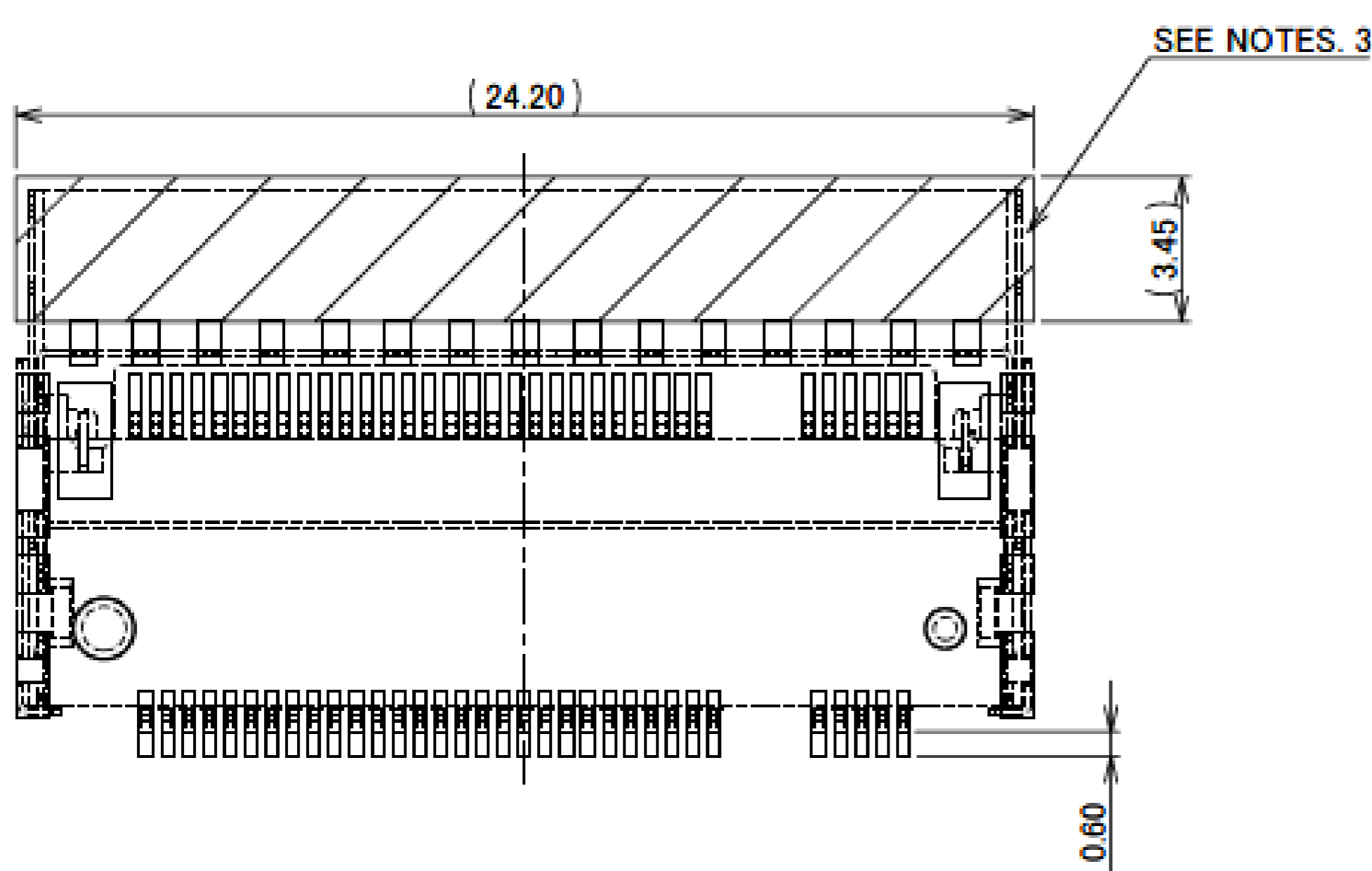


RECOMMENDED PCB & METAL MASK LAYOUT
(SHIELD SHELL)
METAL MASK THICKNESS : t=0.10 mm

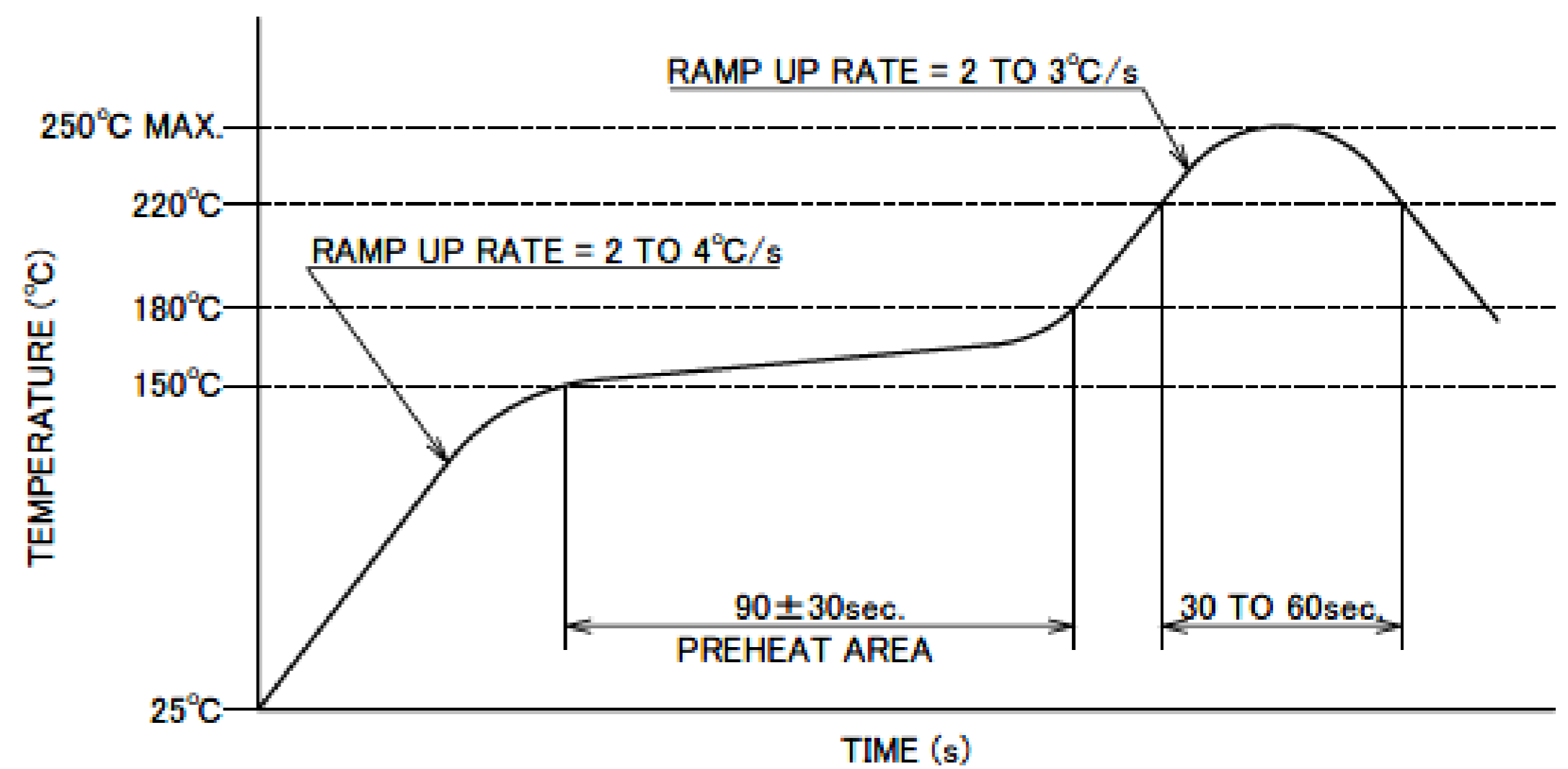
NOTES.

2. DO NOT MOUNT ANOTHER COMPONENT IN THIS AREA

Rev.0



CONNECTOR ON RECOMMENDED FOOTPRINT PATTERN



REFLOW TEMPERATURE PROFILE
SENJU METAL INDUSTRY CO., LTD. : M705-SHF(Sn96.5 Ag3.0 Cu0.5)

NOTES.

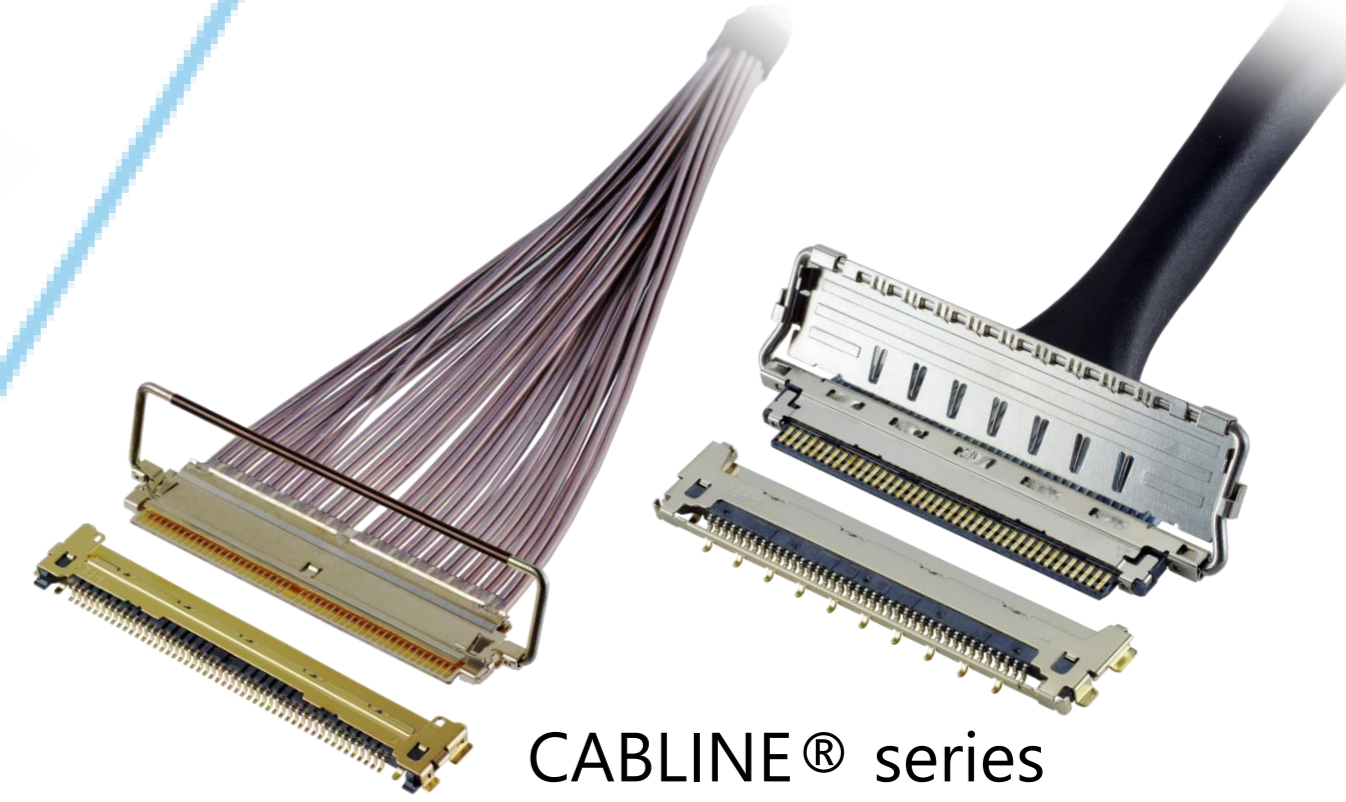
3. DO NOT MOUNT ANOTHER COMPONENT IN THIS AREA

Rev.0

Custom Connectors Available

RF Connectors

MHF® series



CABLINE® series

Micro-Coaxial/Twinaxial Connectors



Wire-to-Board Connectors/Terminals

AP series

ISH® series



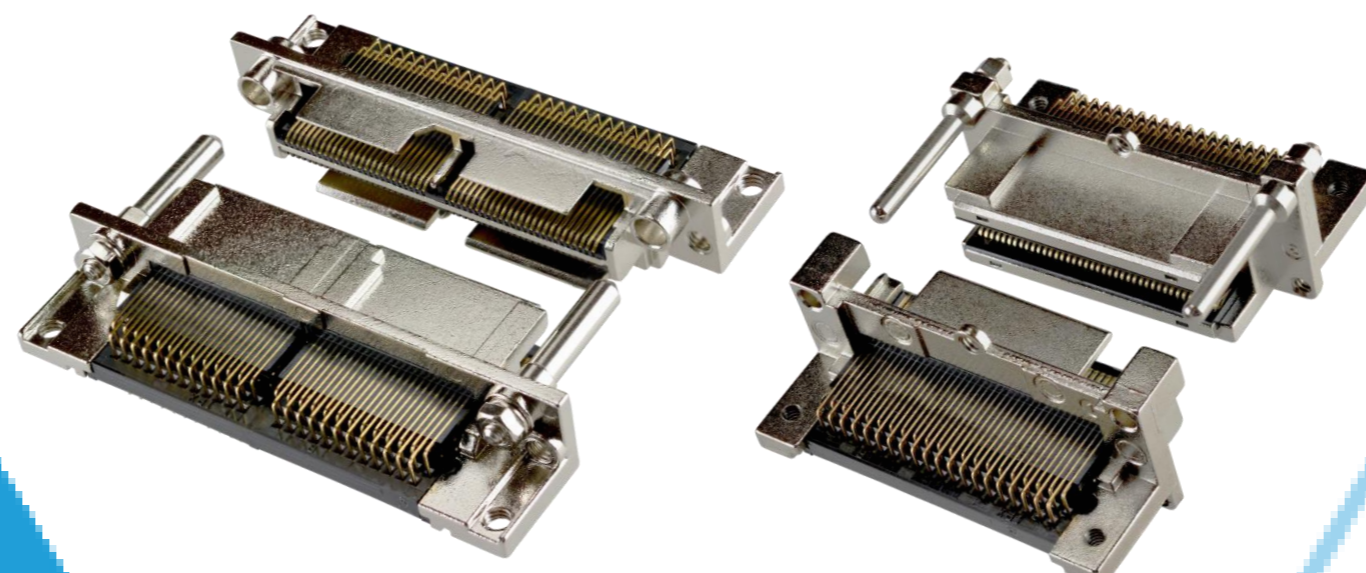
NOVASTACK® series



Board-to-Board Connectors



I/O Connectors



MINIDOCK™ series

MINIFLEX® series EVAFLEX® series



FPC/FFC Connectors



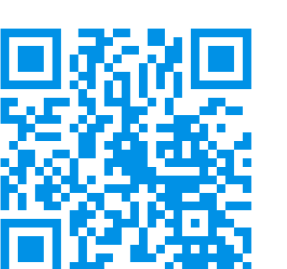
Inquiry



I-PEX, MHF, CABLINE, NOVASTACK, ISH, IARPB, MINIFLEX, EVAFLEX, MINIDOCK, i-Fit and ZenShield are registered trademarks of I-PEX Inc. Please note that the contents in the catalog might be changed without prior notification. I-PEX Inc. assumes no responsibility for any inaccuracies or obligation to update information on these documents. Please be sure to read and understand the latest "Precautions for Use" and "Instruction Manual" before you use our products. We shall not be responsible for any defects, damages or troubles in case you use our products without following the precautions for use. Please feel free to contact our sales representatives when you use our products for any applications that require very high reliability and safety, or that relate to human life (ex. nuclear power control, aerospace, transportation, medical equipment, safety equipment etc.).

Contact your sales representative or more detailed information.

www.i-pex.com



I-PEX

© I-PEX Inc. 2026
All rights reserved