

NOVASTACK® 35-HDP 12

全屏蔽型, 1.2 mm配合高度, 0.35 mm间距, 带电源触点, 支持每通道最高 40 Gbps的板对板连接器

Product Specifications:

Board Pitch		0.35 mm
Wiping Length		Signal contact : 0.19 mm Power contact : 0.27 mm
Mated Size	Height	1.2 +/- 0.05 mm
	Width	4.86 + (0.35 x pin count / 2) mm
	Depth	3.7 mm
Current Rating	Signal	0.3 A/pin
	Power	4.5 A/pin x 4
Pin Counts	Range	10 to 80 (signal) + 4 (power)
	Available	22 + 4, 56 + 4, 62 + 4

Applicable Standards (Reference Only):

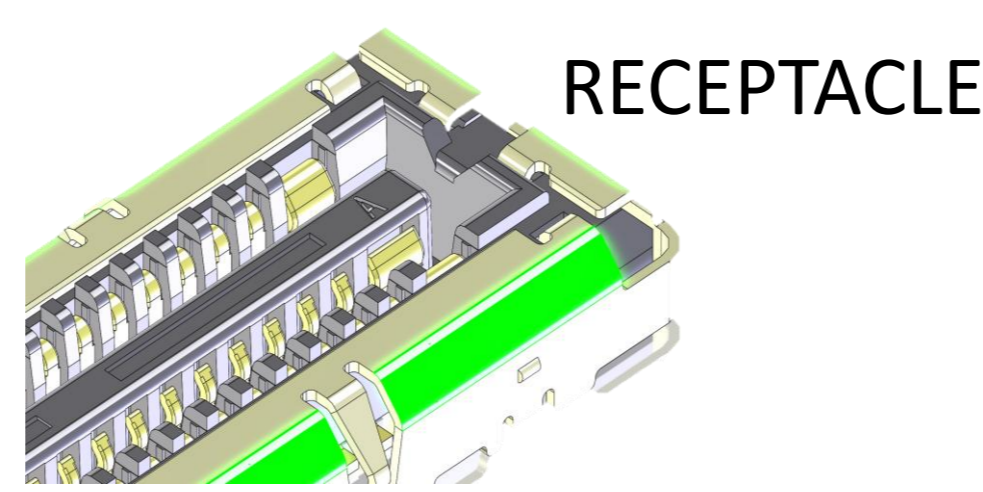
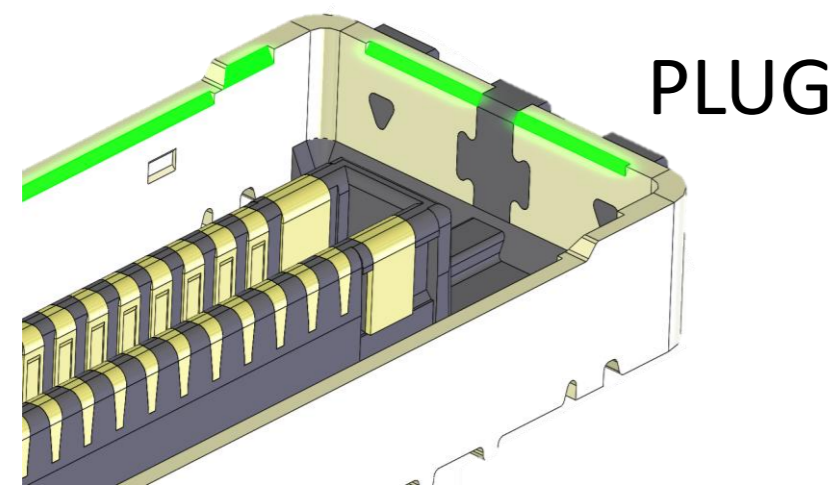
USB4 (20 Gbps/lane), USB 3.1 Gen 2 (10 Gbps), eDP HBR 3 (8.1 Gbps), eDP HBR 2 (5.4 Gbps), eDP (2.7 Gbps), HDMI 2.0 (6 Gbps), V-By-One HS 1.4 (4 Gbps), MiPi standards



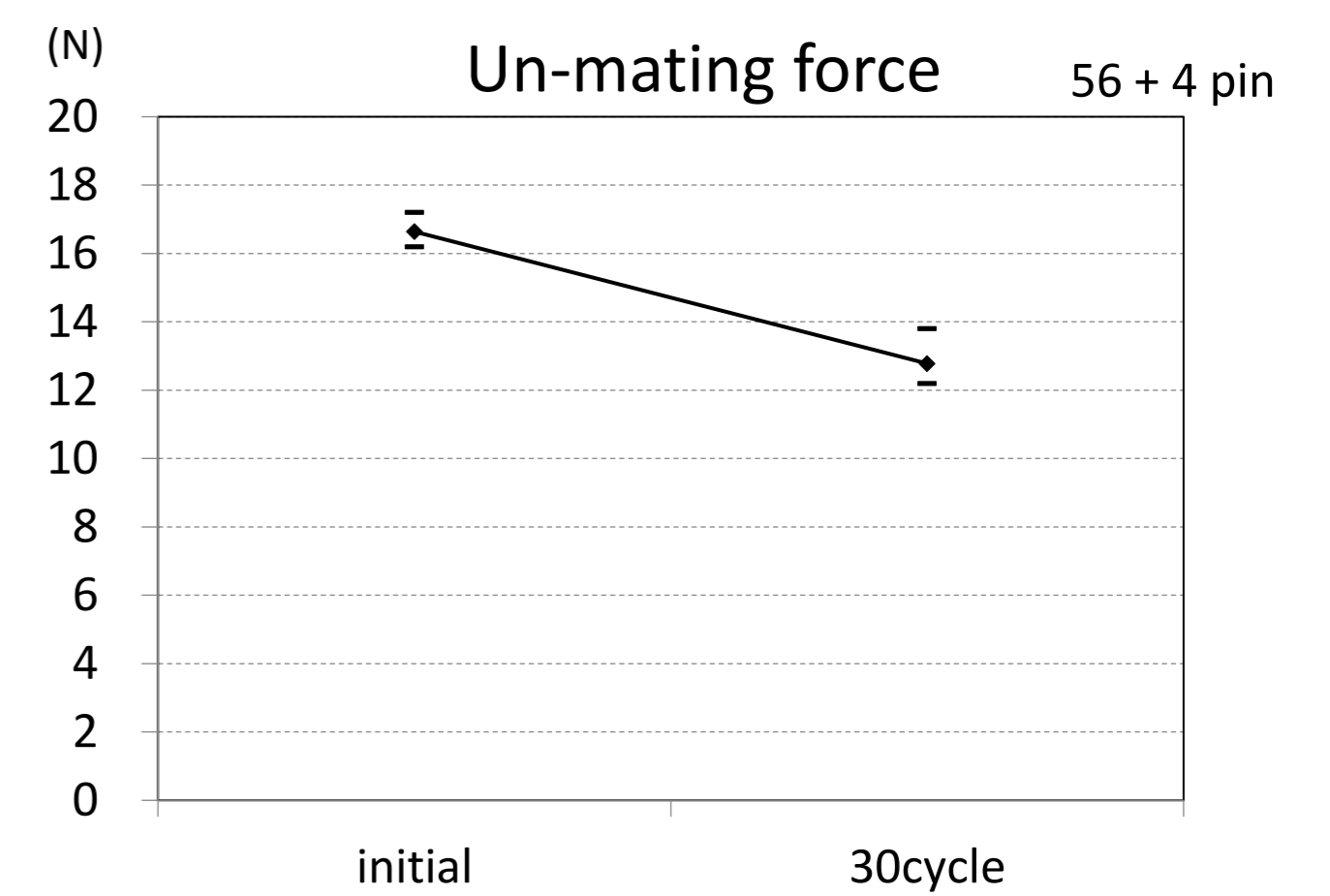
* 如需了解未列出或不在范围内的pin 数, 请联系我们。

▶ 1.2 mm 堆叠高度设计, 提供出色的插拔可操作性和连接可靠性

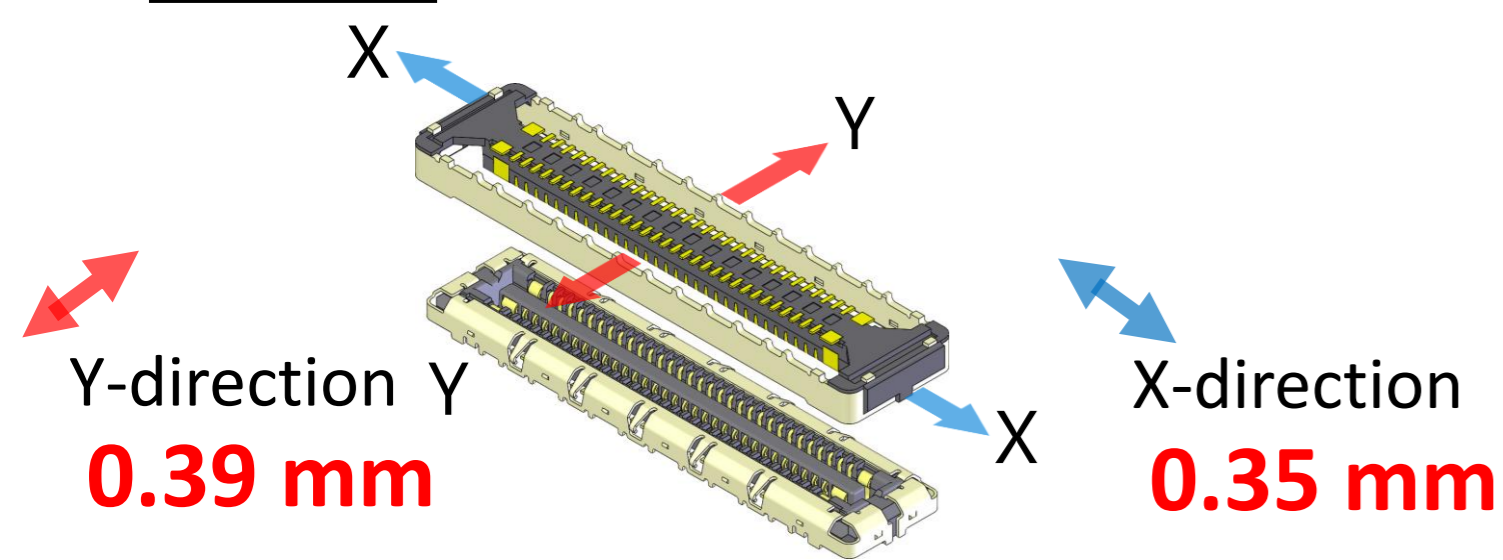
插拔导轨



嵌合保持力



导向量



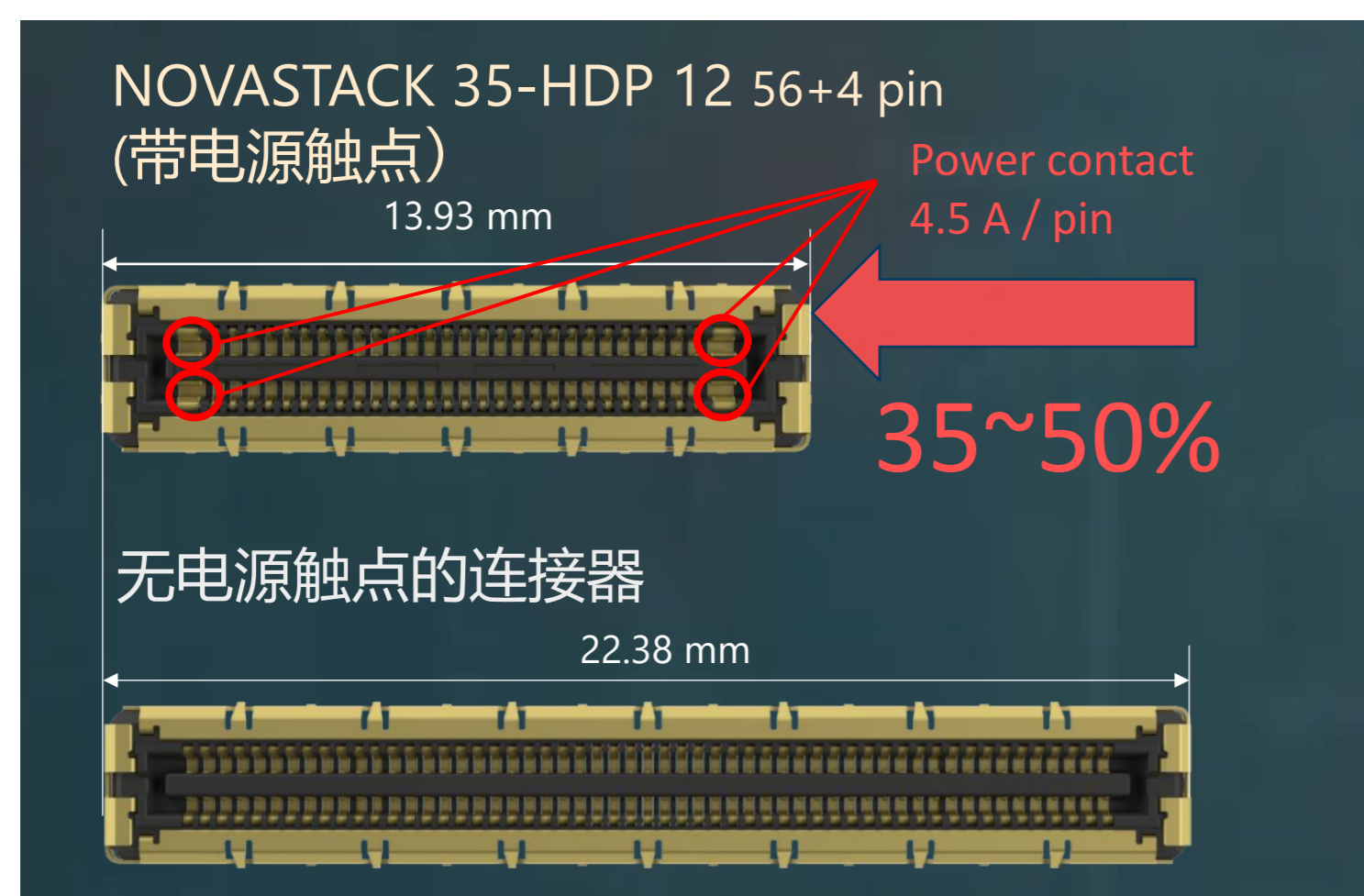
3.0°

Plug center Receptacle center

▶ 通过电源端子和 ZenShield® 屏蔽技术, 实现适用于高密度安装的紧凑型连接器设计

通过使用电源端子, 可以节省 PCB 空间*

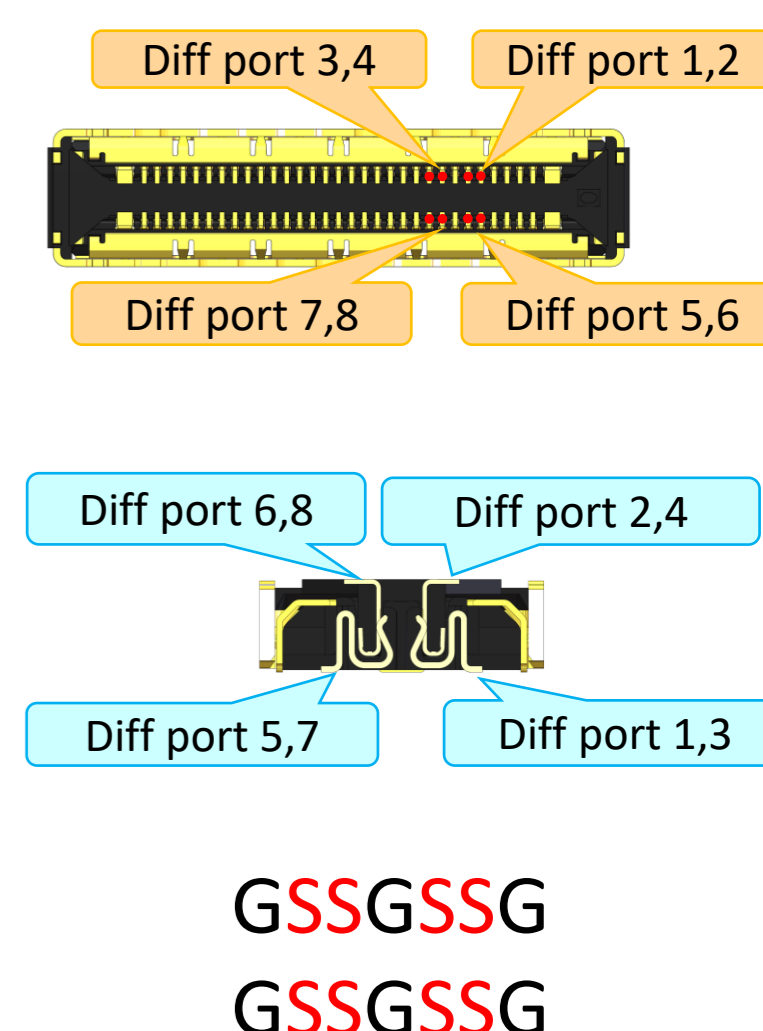
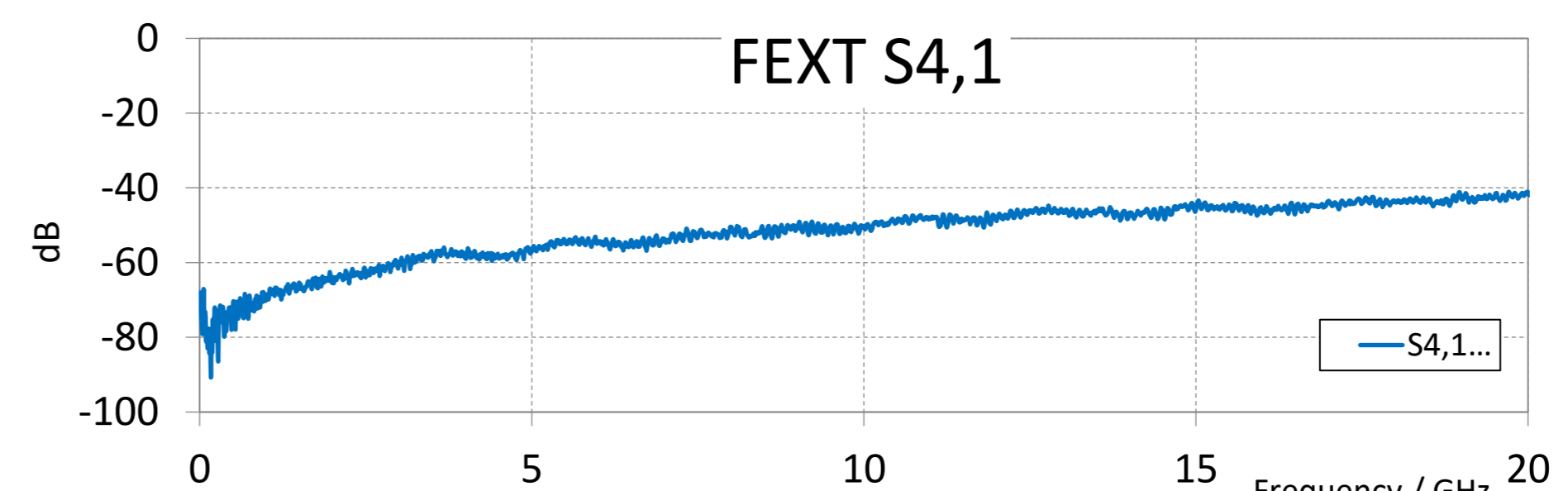
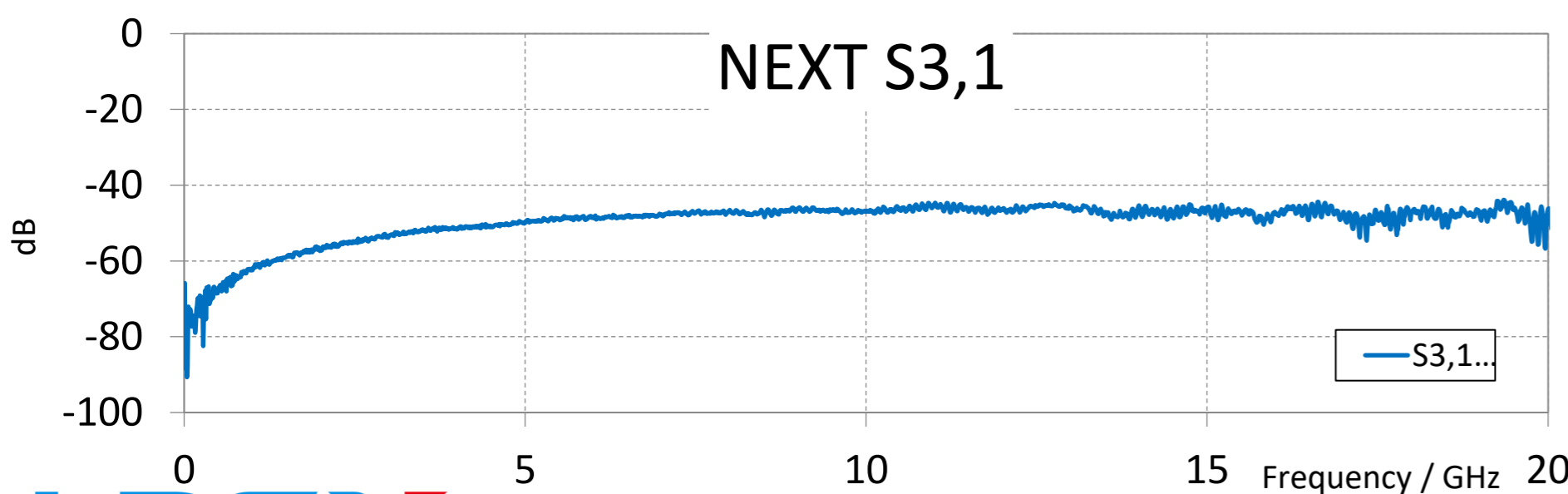
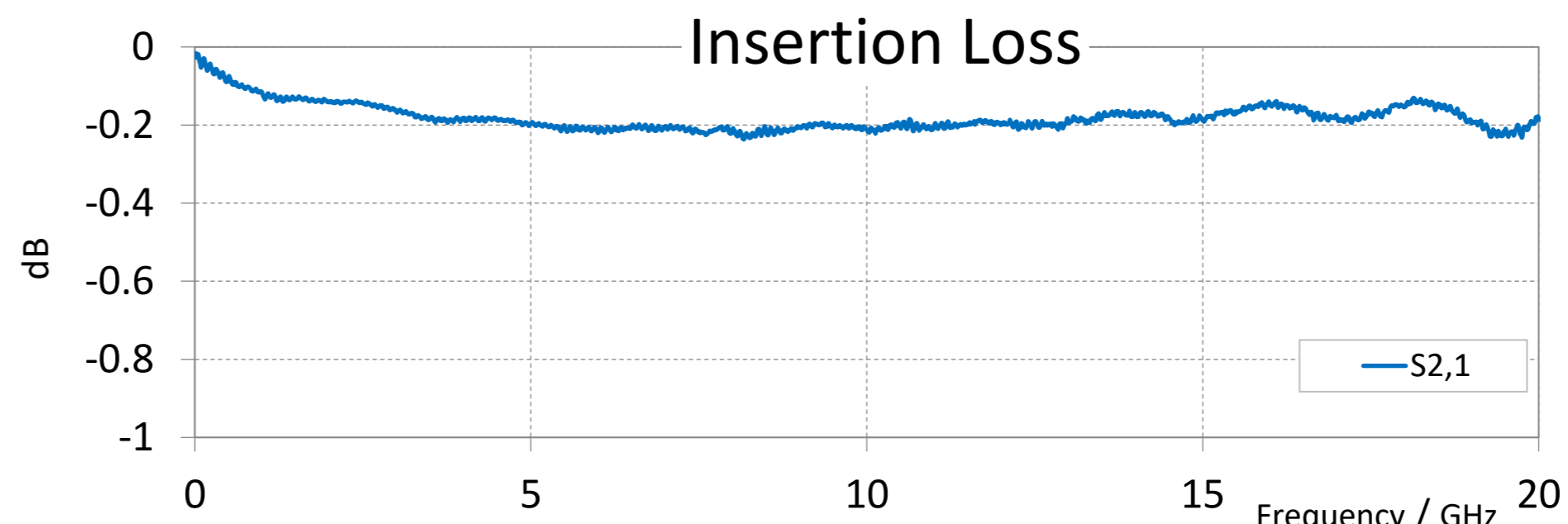
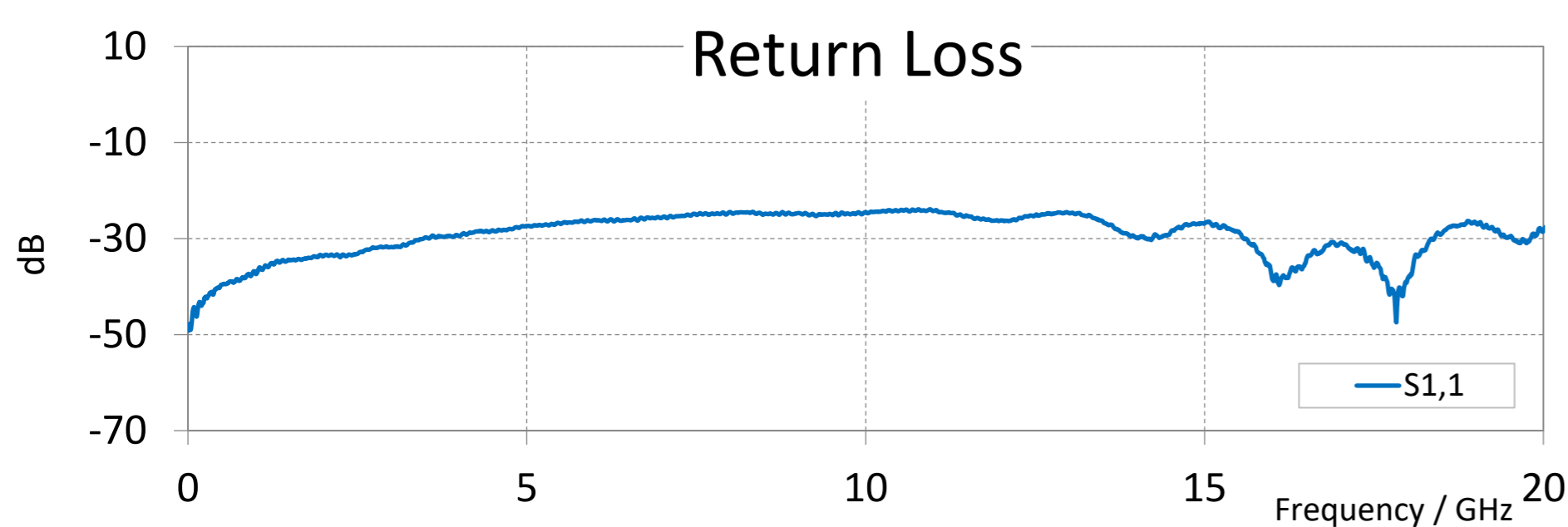
借助 ZenShield®, 连接器可布置在高频设备和天线附近



在假设 8A x 2 电源传输条件下的连接器尺寸比较
*缩小比率会因极数 (位数) 数量的不同而有所变化



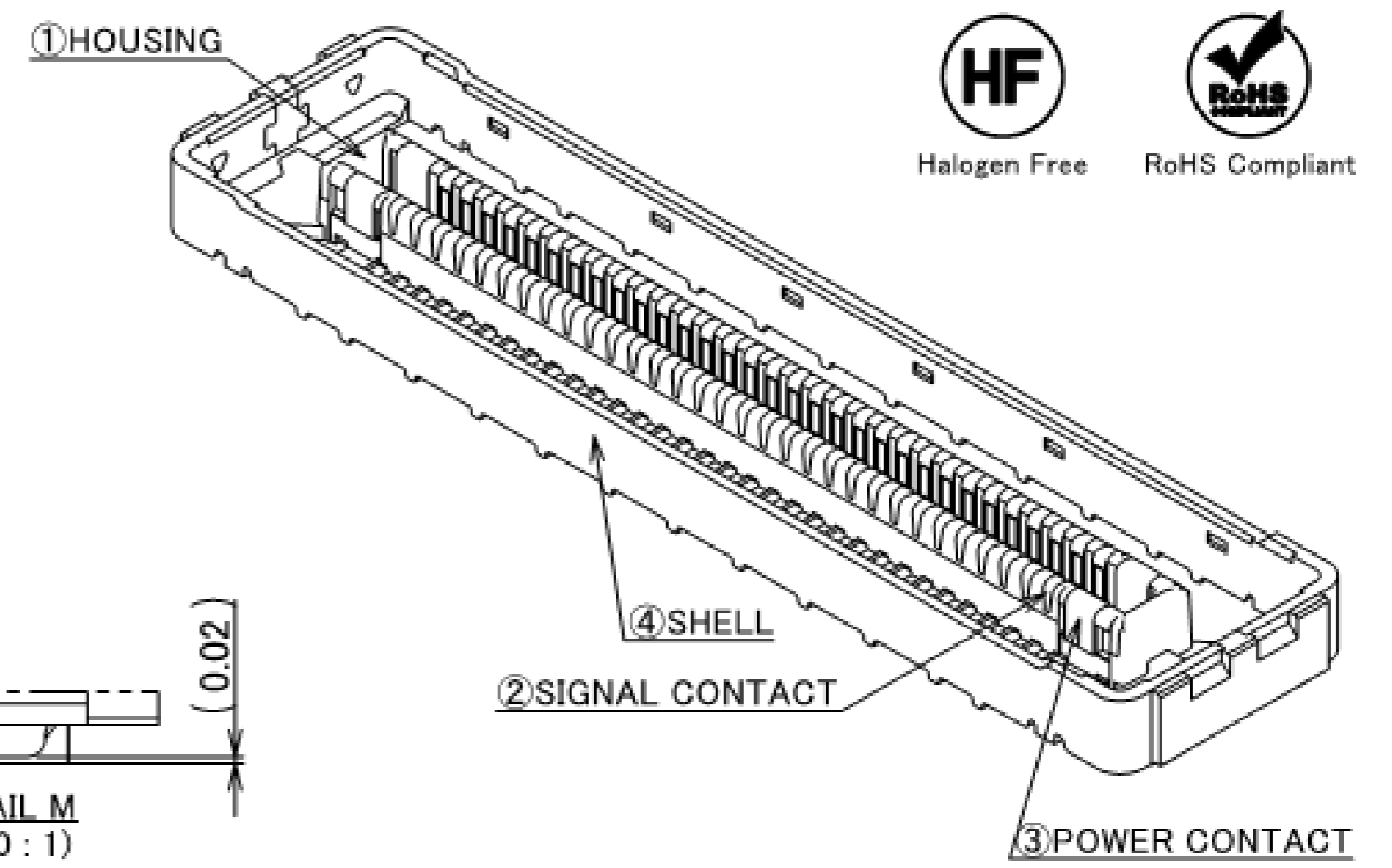
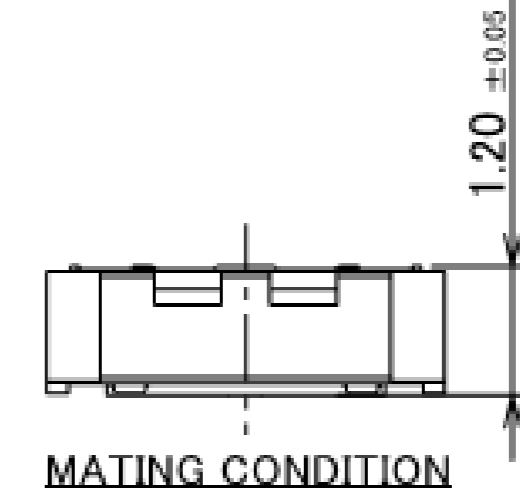
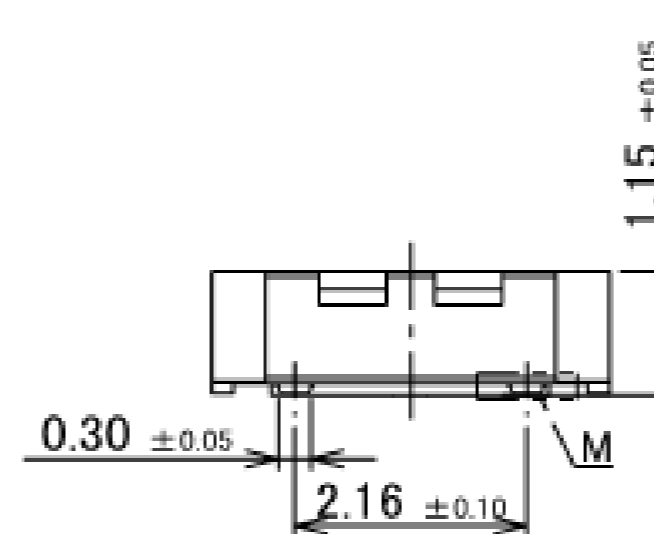
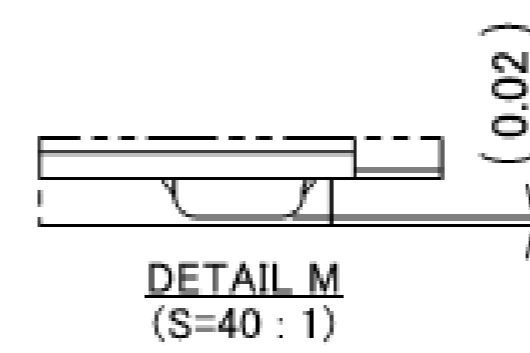
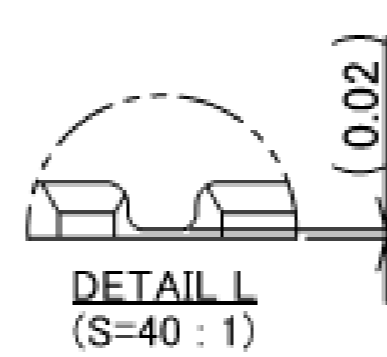
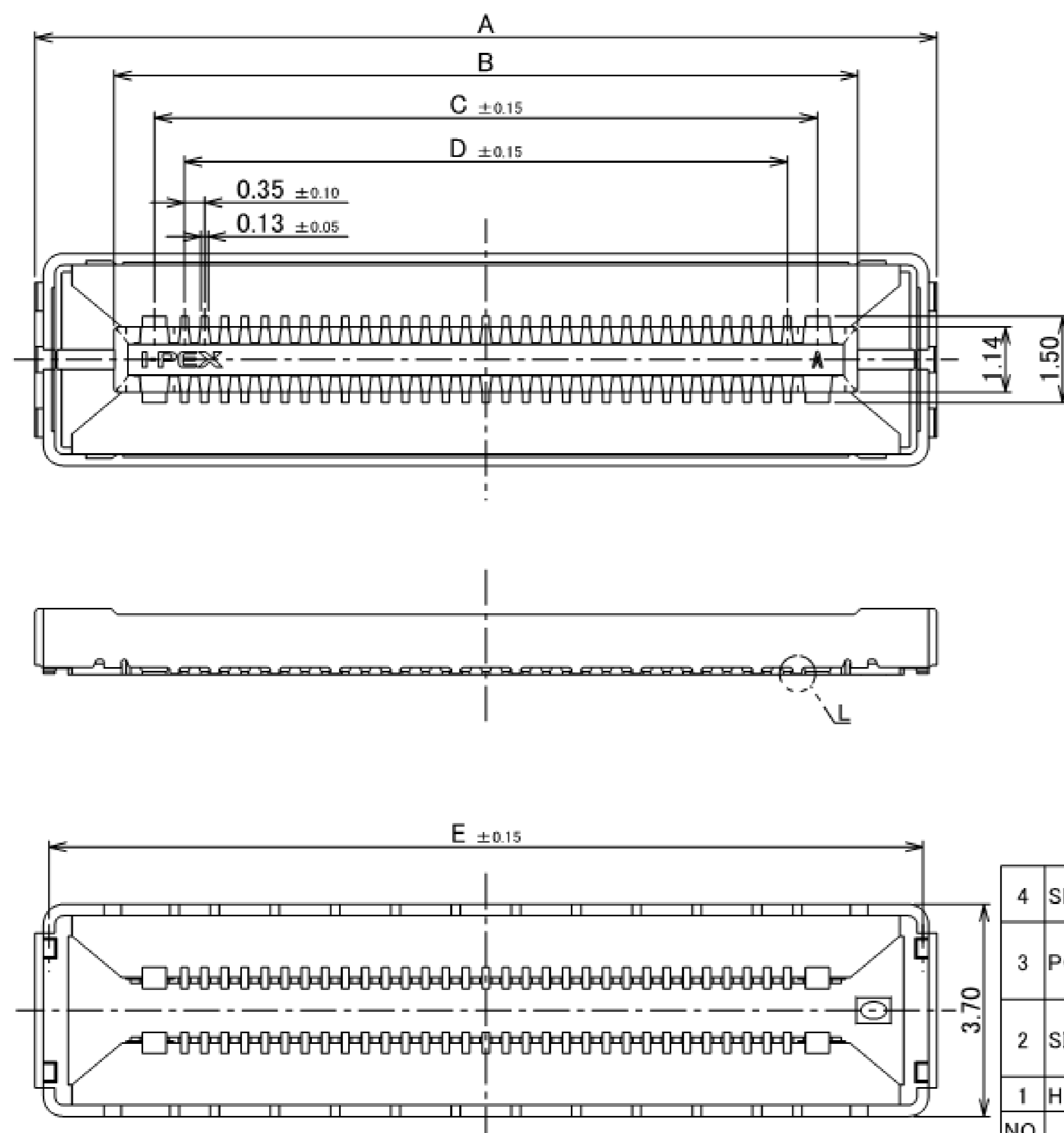
▶ 高背连接器设计, 具有出色的配接可加工性



Component Parts Detail

Plug Assembly

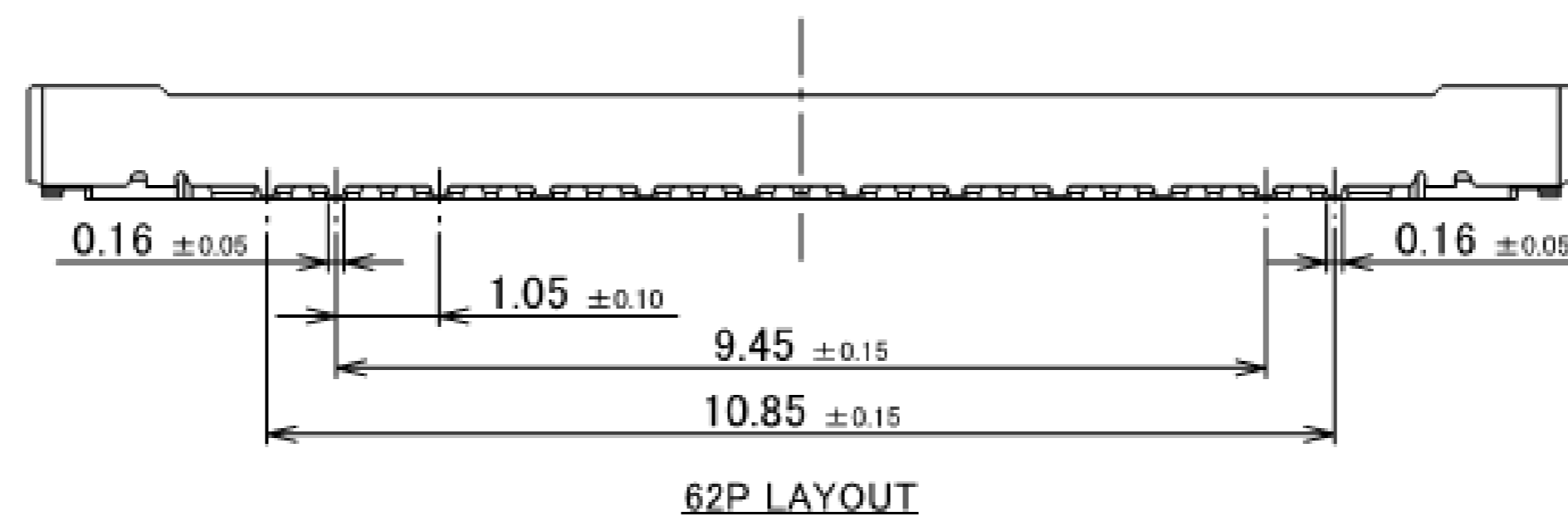
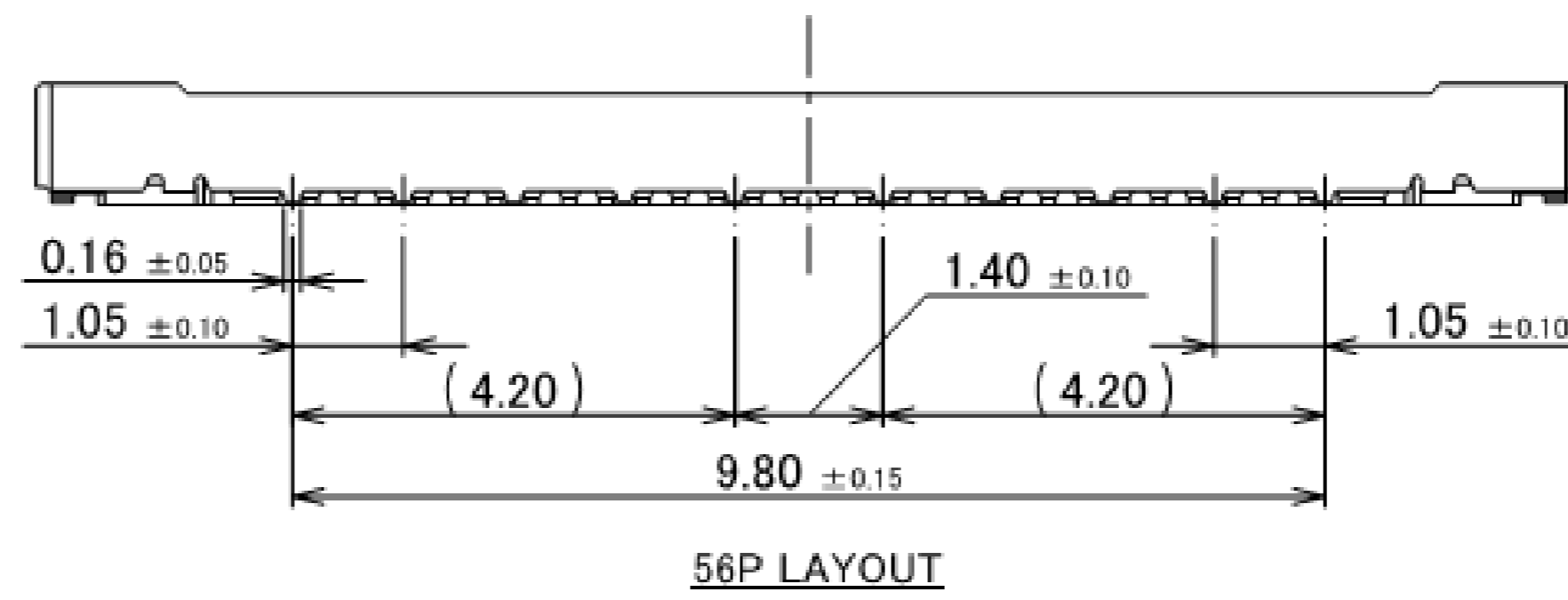
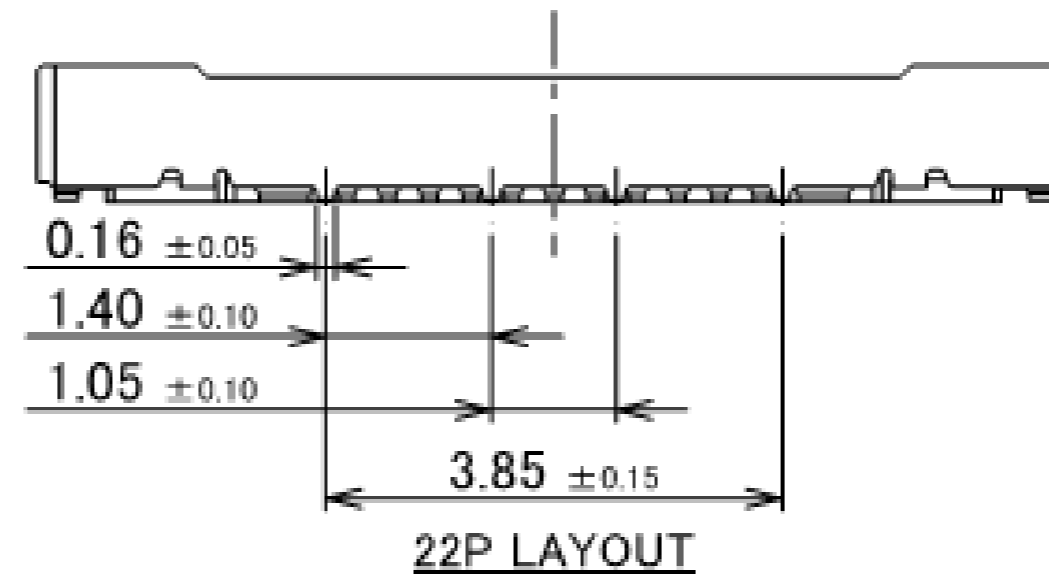
RECOMMENDED PART No.		21150-0**E-01					
PART No.	SIGNAL POS.	POWER POS.	A	B	C	D	E
21150-022E-01	22P	4P	8.71	5.96	4.55	3.50	8.22
21150-056E-01	56P	4P	14.66	11.91	10.50	9.45	14.17
21150-062E-01	62P	4P	15.71	12.96	11.55	10.50	15.22



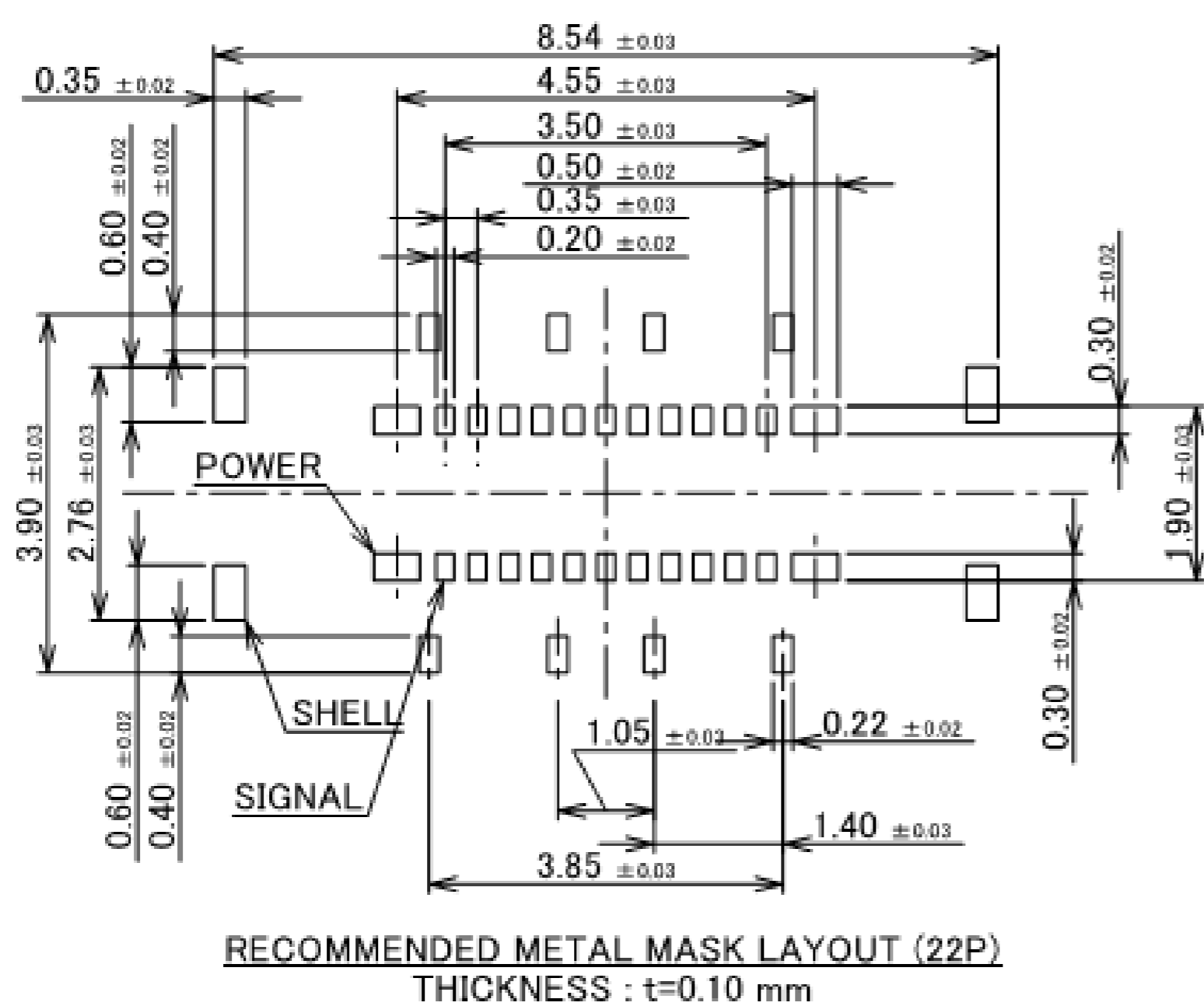
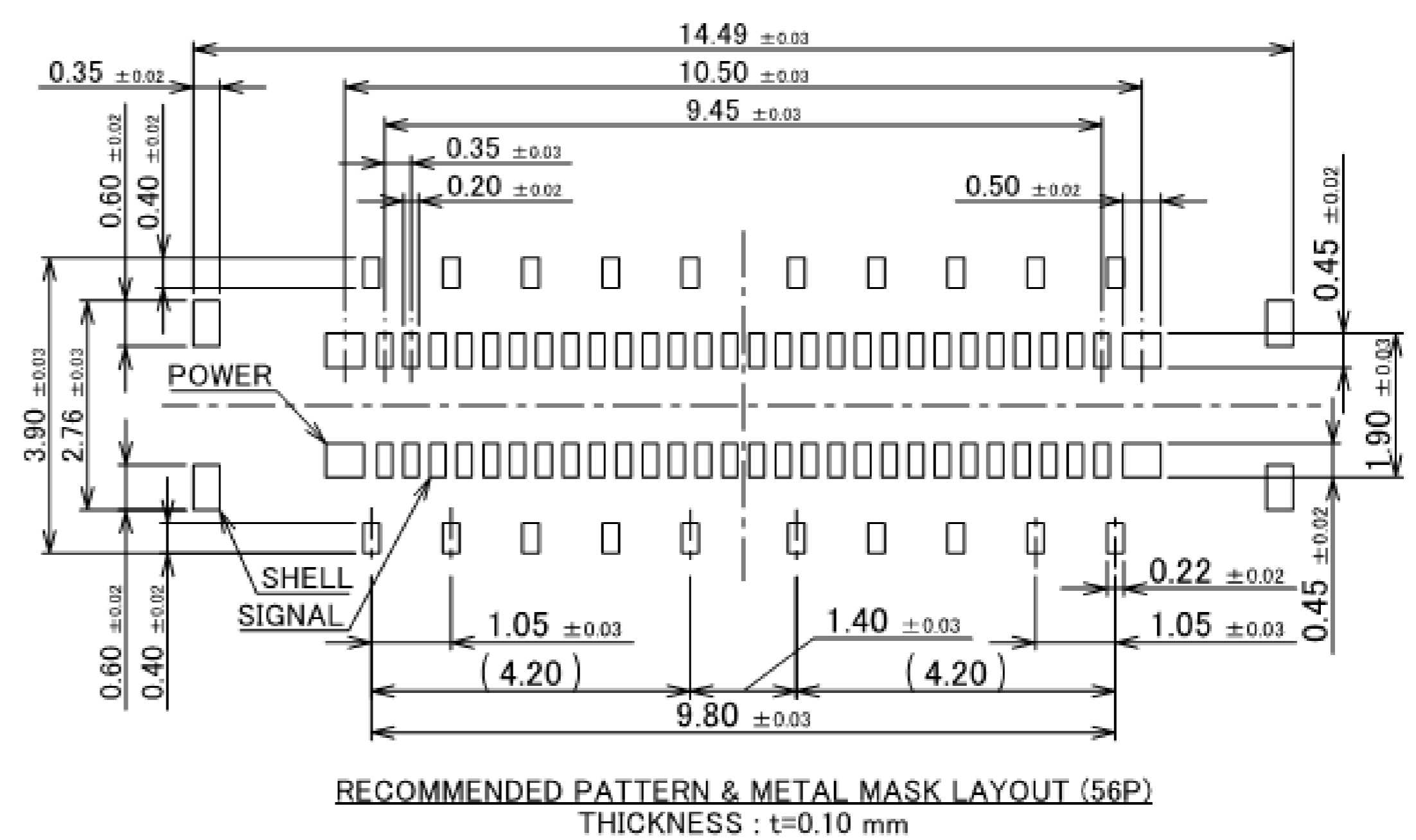
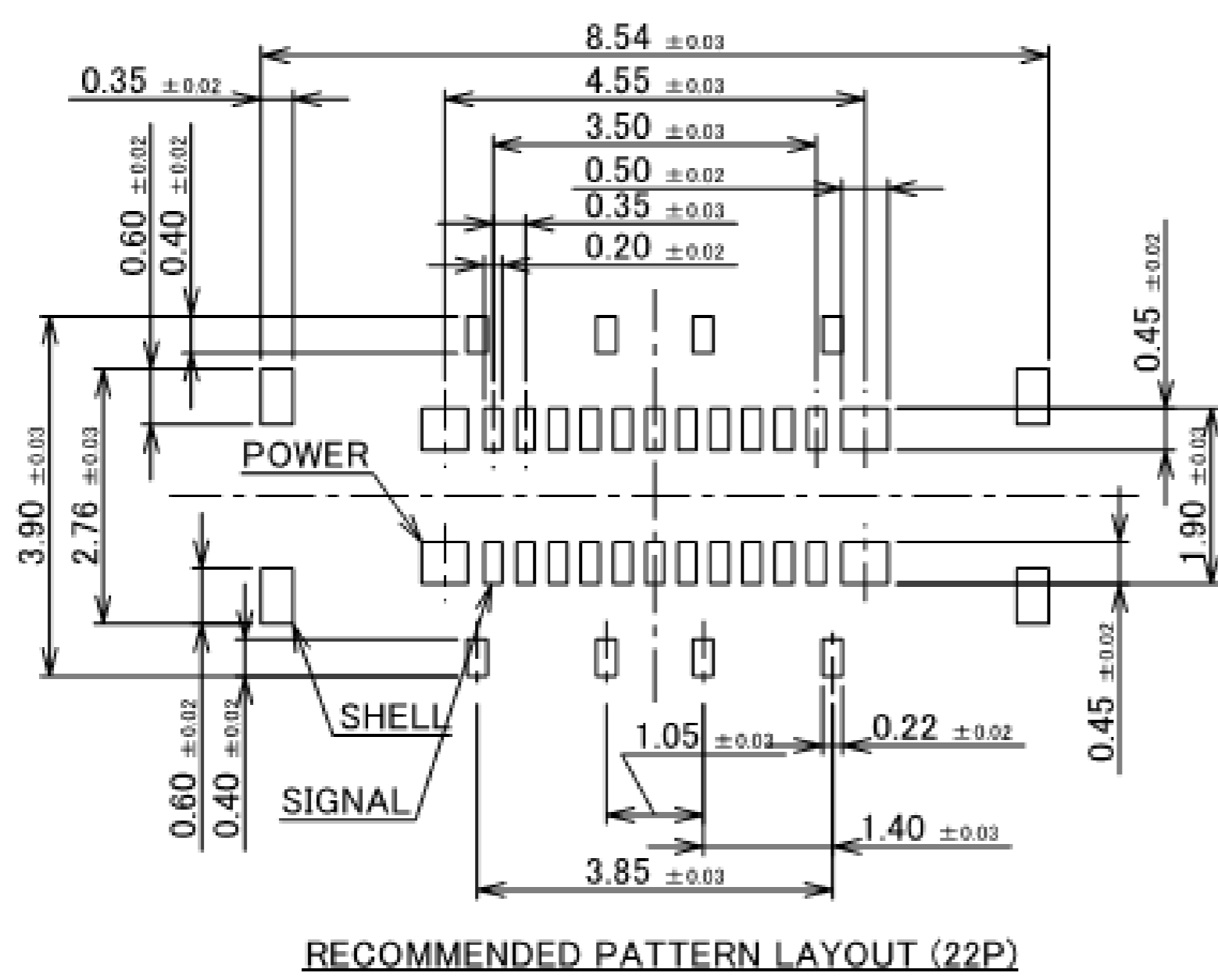
NO.	DISCRIPTION	MATERIAL	FINISH , REMARKS
4	SHELL	CORSON ALLOY	ALL OVER Ni 1.27 μm MIN. Au 0.01 μm MIN. 0.025 μm MAX.
3	POWER CONTACT	CORSON ALLOY	ALL OVER Ni 1.27 μm MIN. CONTACT PART Au 0.05 μm MIN. SOLDERING PART Au 0.02 μm MIN.
2	SIGNAL CONTACT	CORSON ALLOY	ALL OVER Ni 1.27 μm MIN. CONTACT PART Au 0.05 μm MIN. SOLDERING PART Au 0.02 μm MIN.
1	HOUSING	LCP	UL94V-0, BLACK (PFAS FREE)

Plug Assembly

PART No.	SIGNAL POS.	POWER POS.
21150-022E-01	22P	4P
21150-056E-01	56P	4P
21150-062E-01	62P	4P



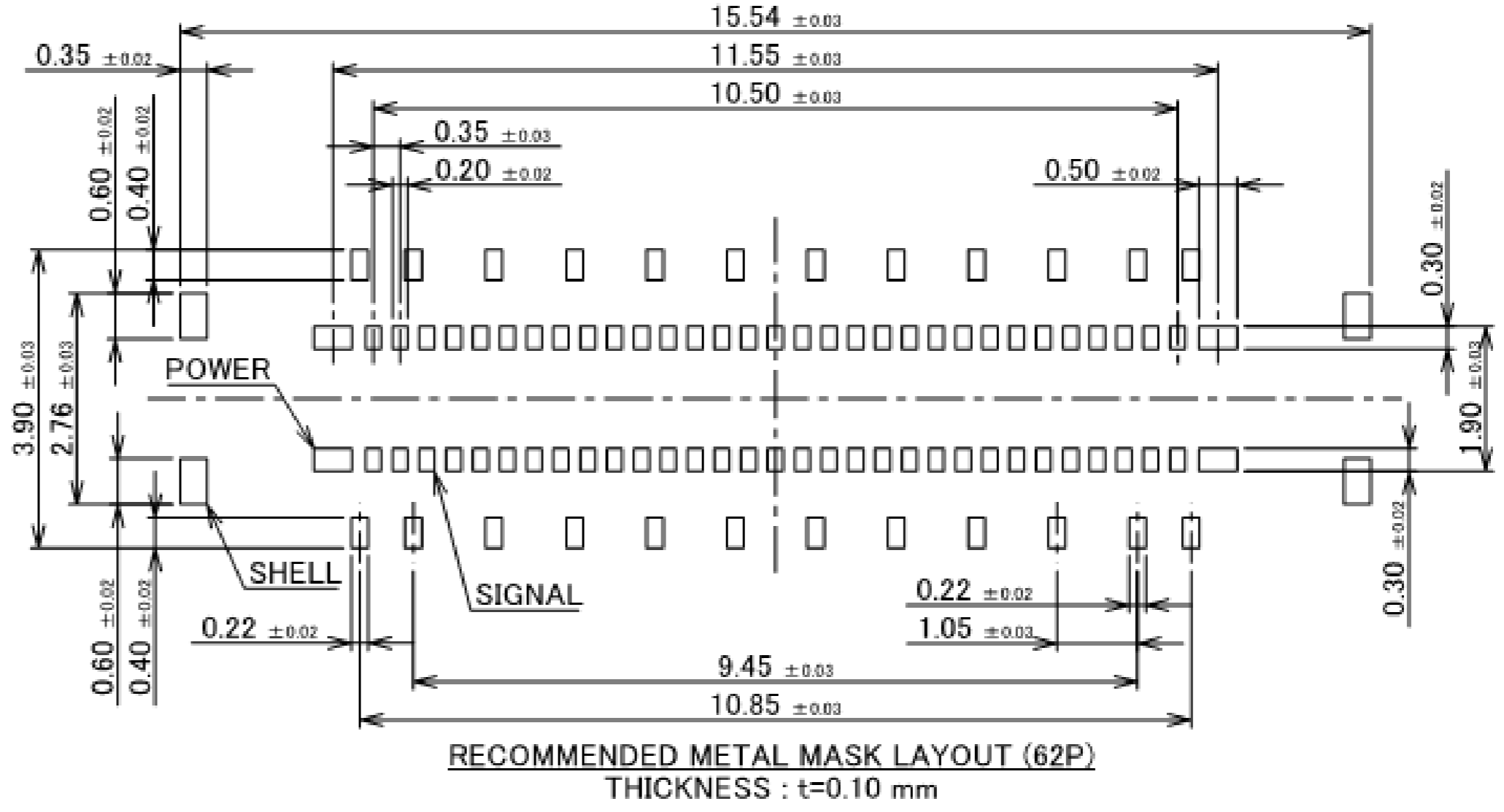
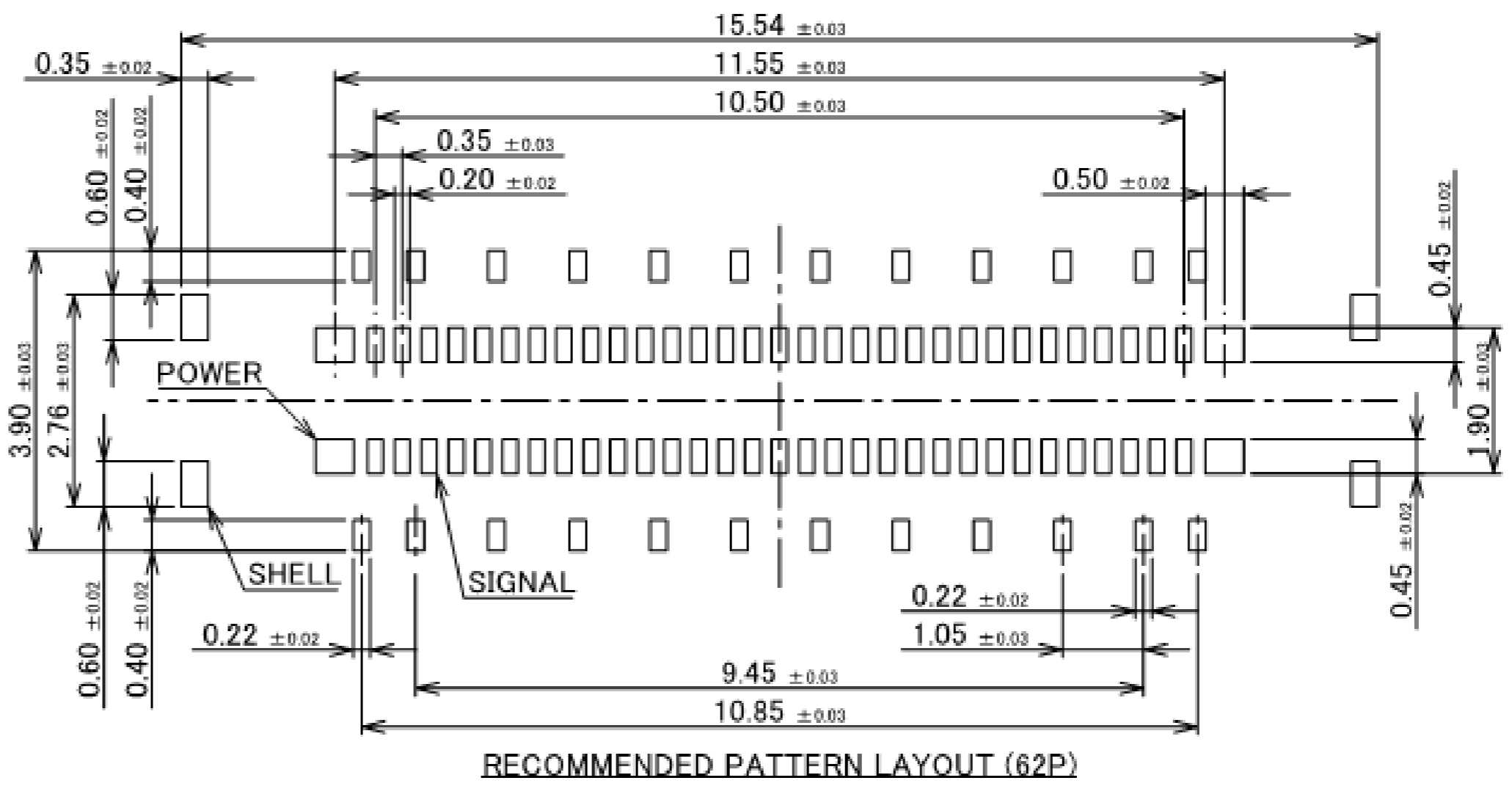
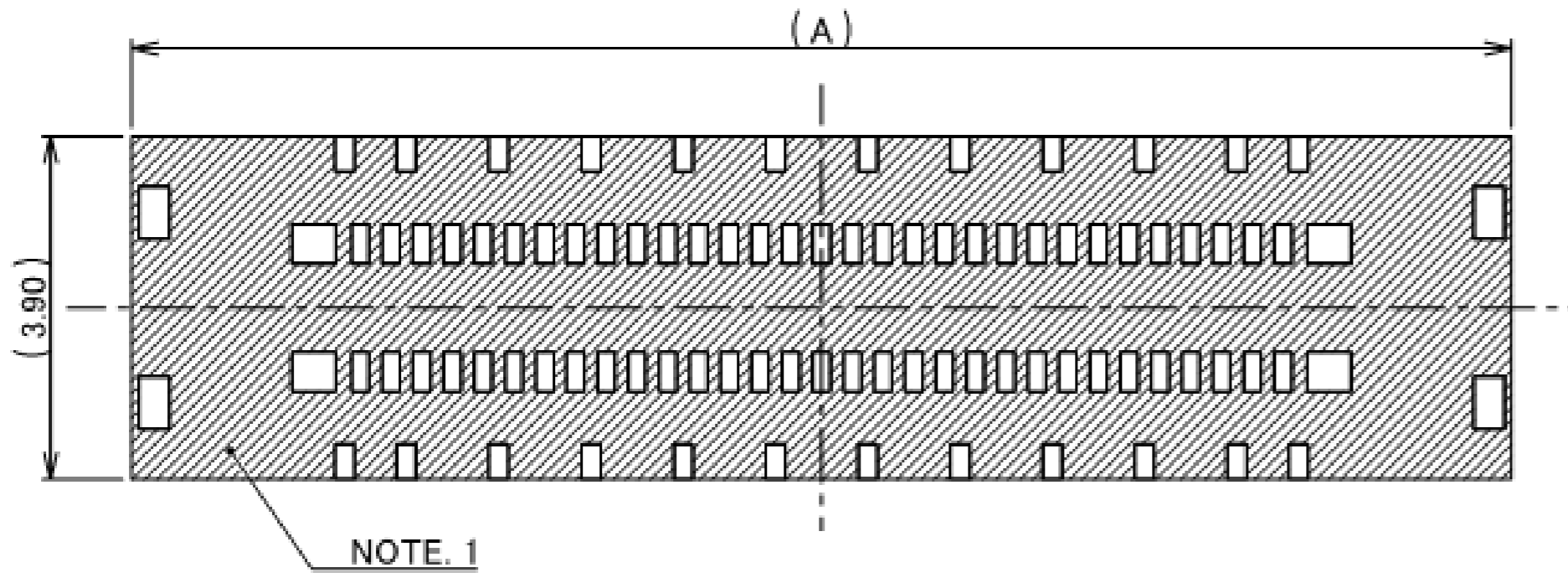
Rev.0



Rev.0

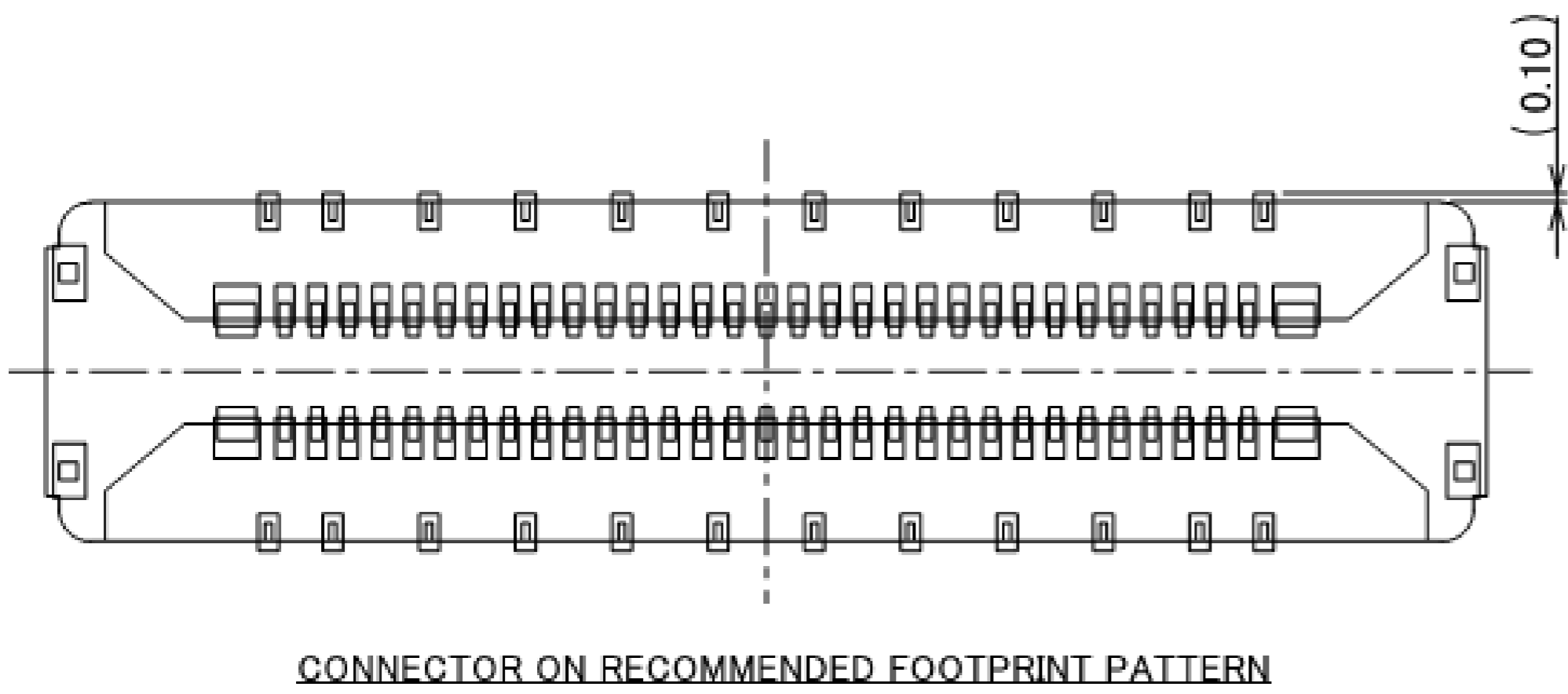
Plug Assembly

PART No.	SIGNAL POS.	POWER POS.	A
21150-022E-01	22P	4P	8.74
21150-056E-01	56P	4P	14.69
21150-062E-01	62P	4P	15.74

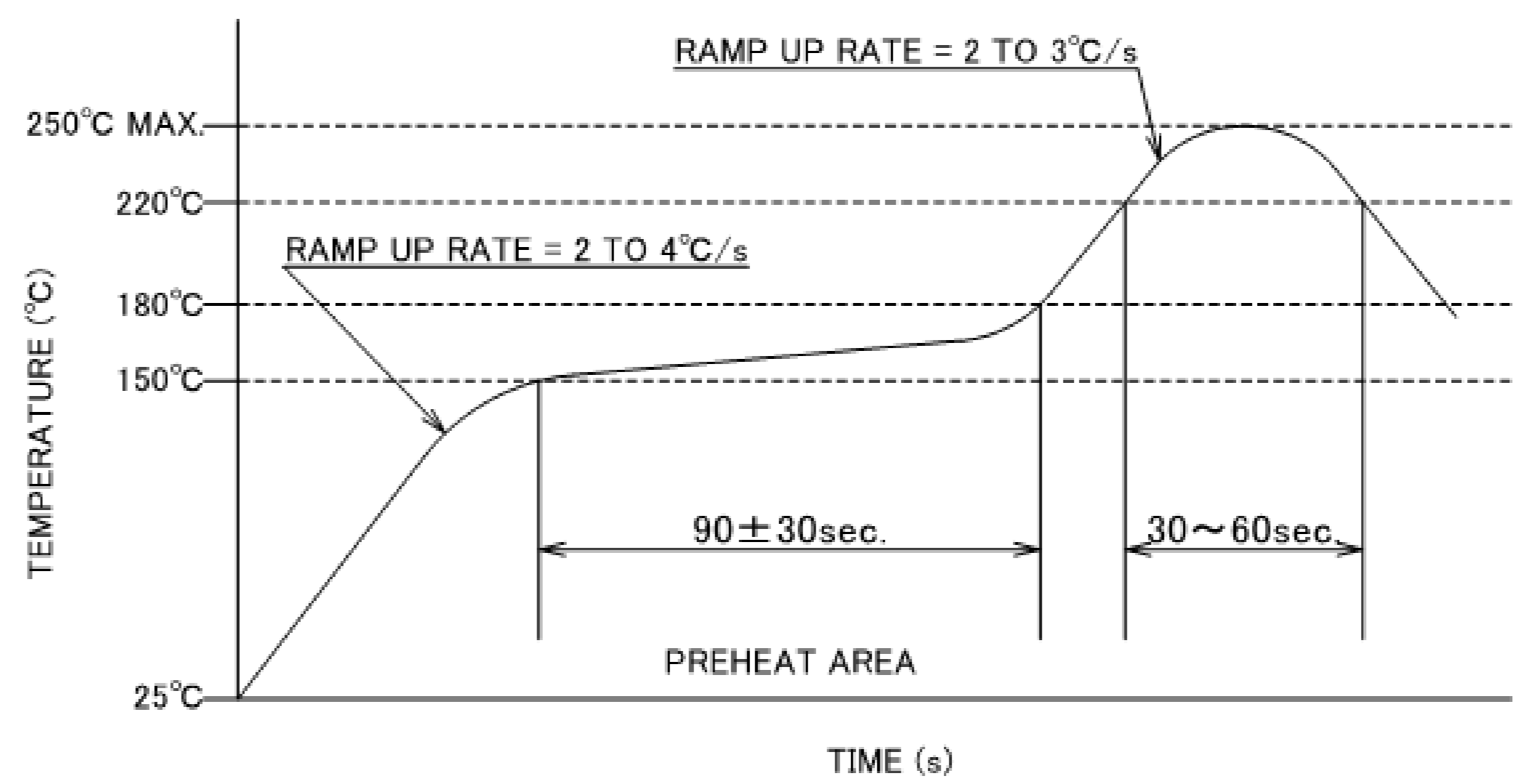


NOTES.
1. THIS AREA CANNOT MOUNT ANOTHER COMPONENTS.

Rev.0



CONNECTOR ON RECOMMENDED FOOTPRINT PATTERN



REFLOW TEMPERATURE PROFILE
SENJU METAL INDUSTRY CO., LTD. : M705-SHF(Sn96.5 Ag3.0 Cu0.5)

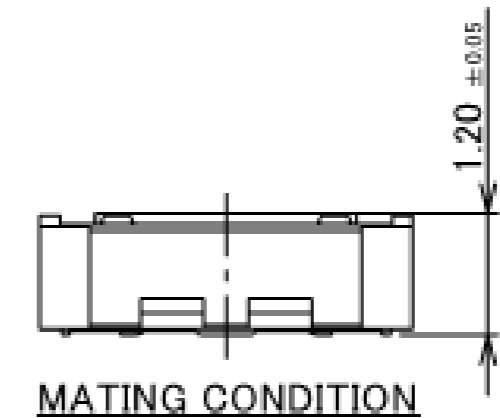
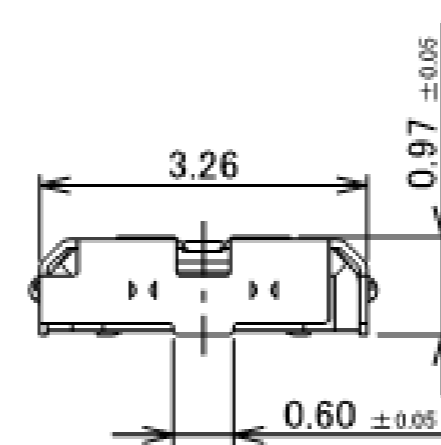
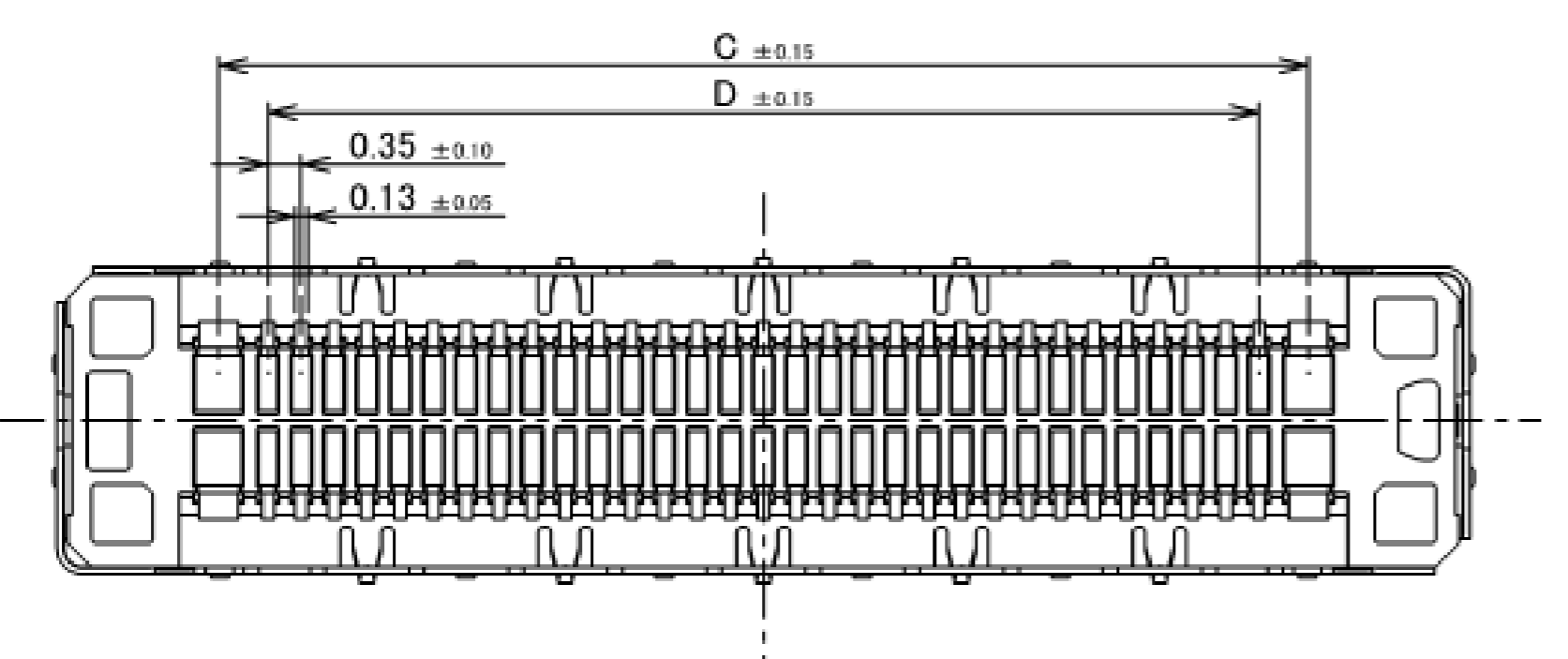
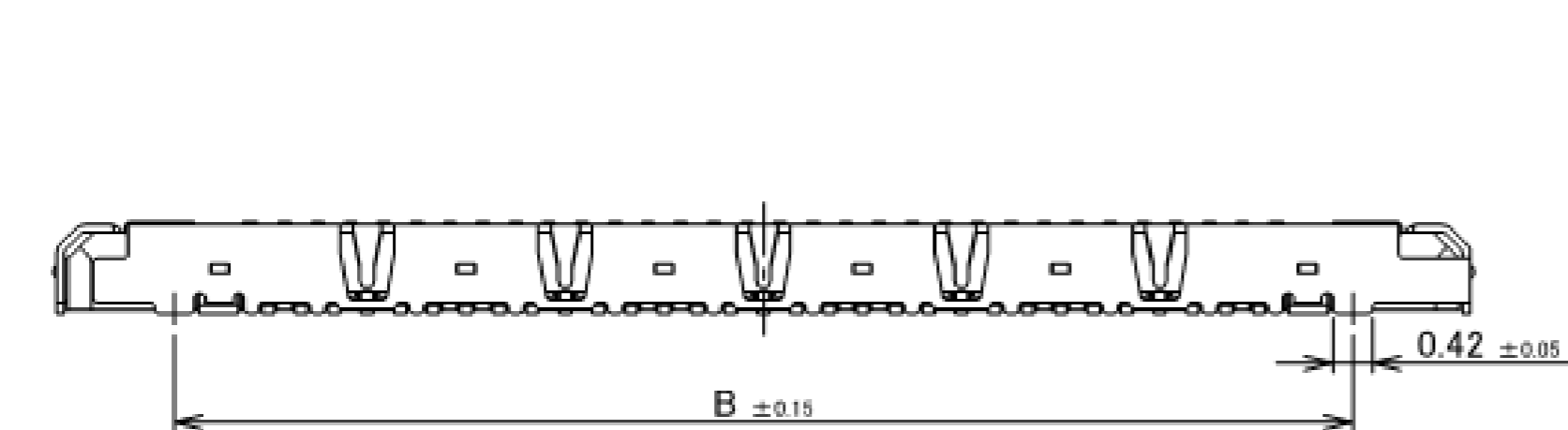
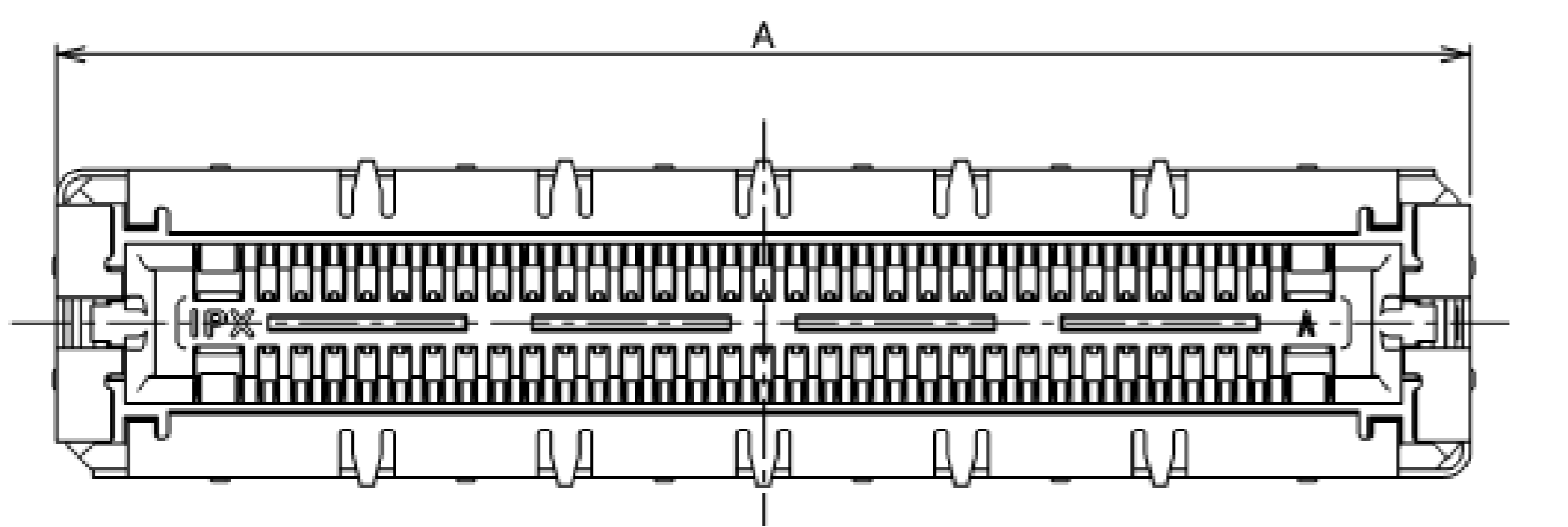
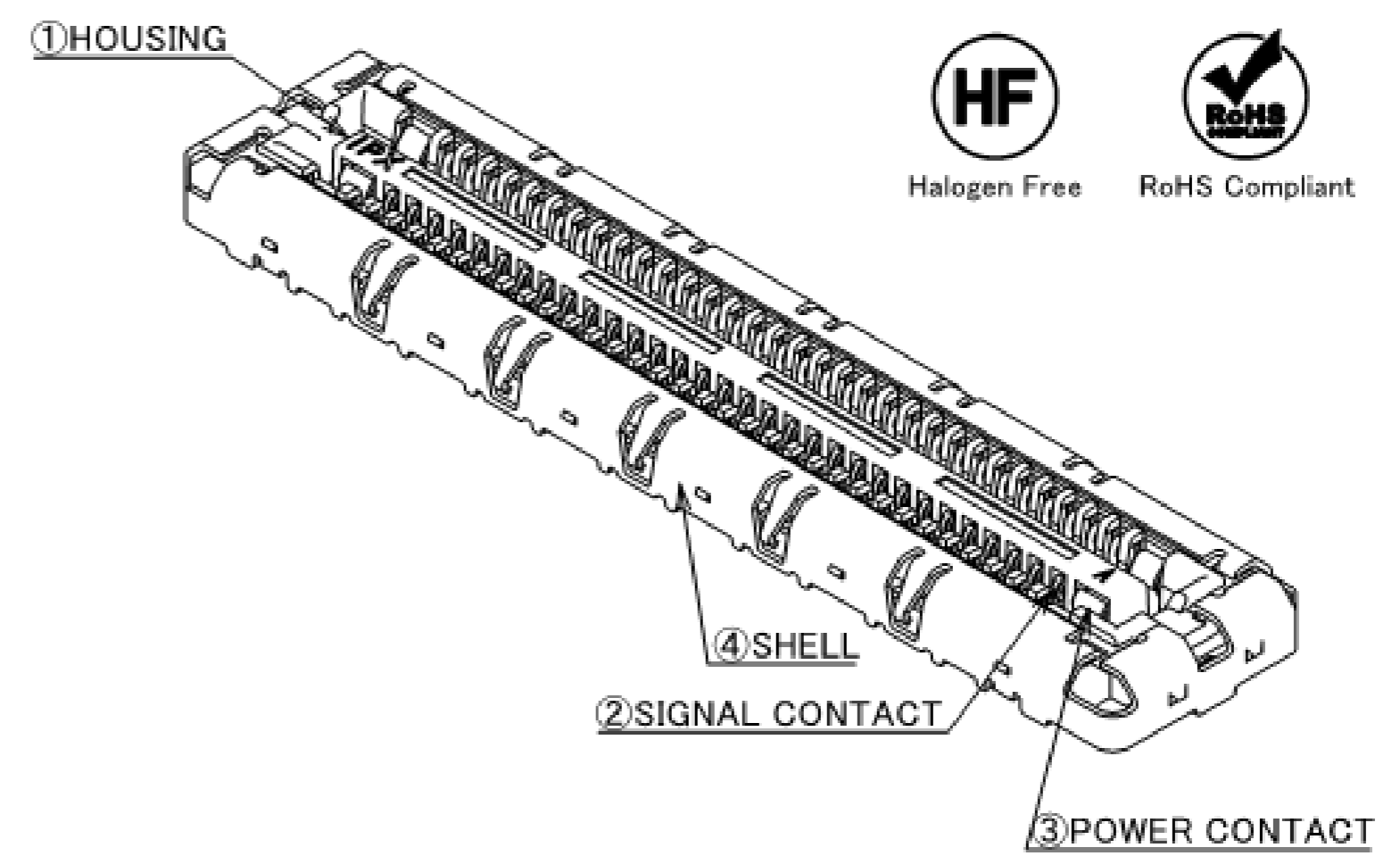
Plug Assembly

ITEMS	SPECIFICATION
APPLICABLE CONNECTOR PART No.	21151-0**E-01
RATED VOLTAGE	60V AC (PER CONTACT PIN)
RATED AMPERAGE (FOR SIGNAL CONTACT)	0.3A AC/DC (PER CONTACT PIN)/ 12.0A AC/DC(TOTAL)
RATED AMPERAGE (FOR POWER CONTACT)	4.5A AC/DC (PER CONTACT PIN)/ 18.0A AC/DC(TOTAL)
OPERATING TEMPERATURE	233 TO 358K(-40°C TO +85°C)
OPERATING HUMIDITY	85% MAX.
CONTACT RESISTANCE (FOR SIGNAL CONTACT)	INITIAL : 40mohm MAX. / AFTER TEST : Δ 40mohm MAX.
CONTACT RESISTANCE (FOR POWER CONTACT)	INITIAL : 10mohm MAX. / AFTER TEST : Δ 10mohm MAX.
CONTACT RESISTANCE (FOR GROUND)	INITIAL : 20mohm MAX. / AFTER TEST : Δ 20mohm MAX.
INSULATION RESISTANCE	INITIAL : 1,000Mohm MIN. / AFTER TEST : 500Mohm MIN.
DIELECTRIC WITHSTANDING VOLTAGE	AC250V 1min
DURABILITY	30 CYCLES
MATING FORCE (INITIAL)	22P: 32.0 N MAX. 56P: 60.0 N MAX. 62P: 70.0 N MAX.
UNMATING FORCE (AFTER TEST)	22P: 3.2 N MIN. 56P: 6.0 N MIN. 62P: 7.0 N MIN.
COPLANARITY	CONTACT AND POWER CONTACT: 0.08 MAX. SHELL: 0.105 MAX.
PRODUCT SPECIFICATION	PRS-3005
TEST REPORT	TR-26015
PACKING STANDARD	PST-26017
INSTRUCTION MANUAL	HIM-26010
APPEARANCE CRITERIA No.	QLS-A***

Rev.0

Receptacle Assembly

RECOMMENDED PART No.		21151-0**E-01					
PART No.	SIGNAL POS.	POWER POS.	A	B	C	D	
21151-022E-01	22P	4P	7.98	5.49	4.55	3.50	
21151-056E-01	56P	4P	13.93	11.44	10.50	9.45	
21151-062E-01	62P	4P	14.98	12.49	11.55	10.50	

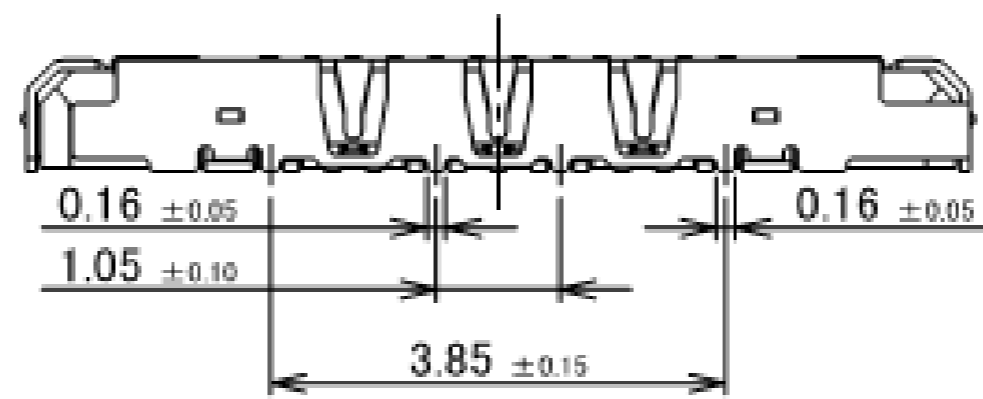


NO.	DISCRIPTION	MATERIAL	FINISH , REMARKS
4	SHELL	CORSON ALLOY	ALL OVER Ni 1.27 μ m MIN. Au 0.01 μ m MIN. 0.025 μ m MAX.
3	POWER CONTACT	CORSON ALLOY	ALL OVER Ni 1.27 μ m MIN. CONTACT PART Au 0.05 μ m MIN. SOLDERING PART Au 0.02 μ m MIN.
2	SIGNAL CONTACT	CORSON ALLOY	ALL OVER Ni 1.27 μ m MIN. CONTACT PART Au 0.05 μ m MIN. SOLDERING PART Au 0.02 μ m MIN.
1	HOUSING	LCP	UL94V-0, BLACK (PFAS FREE)

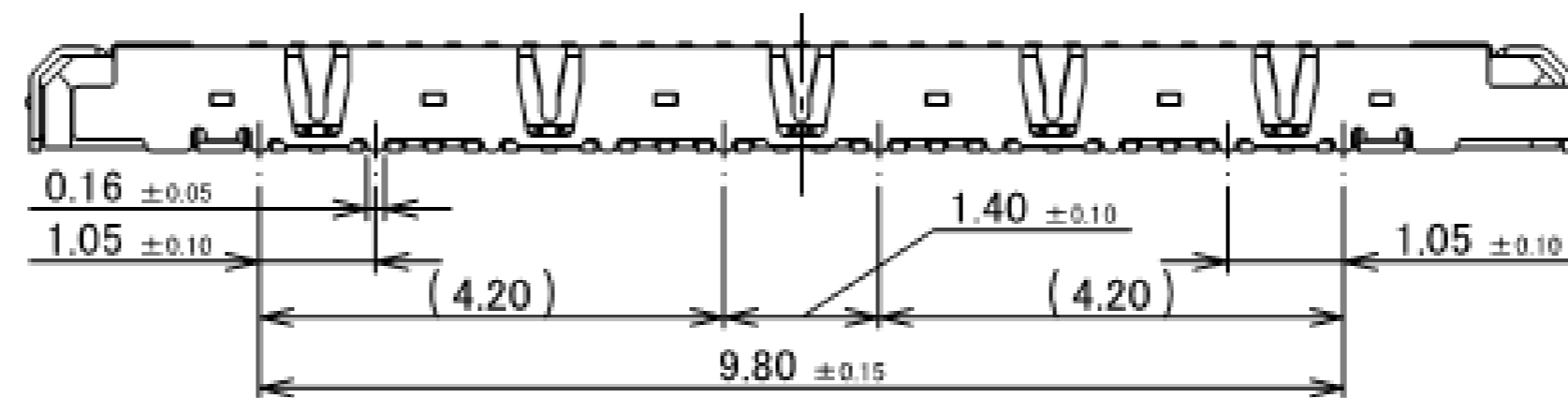
Rev.0

Receptacle Assembly

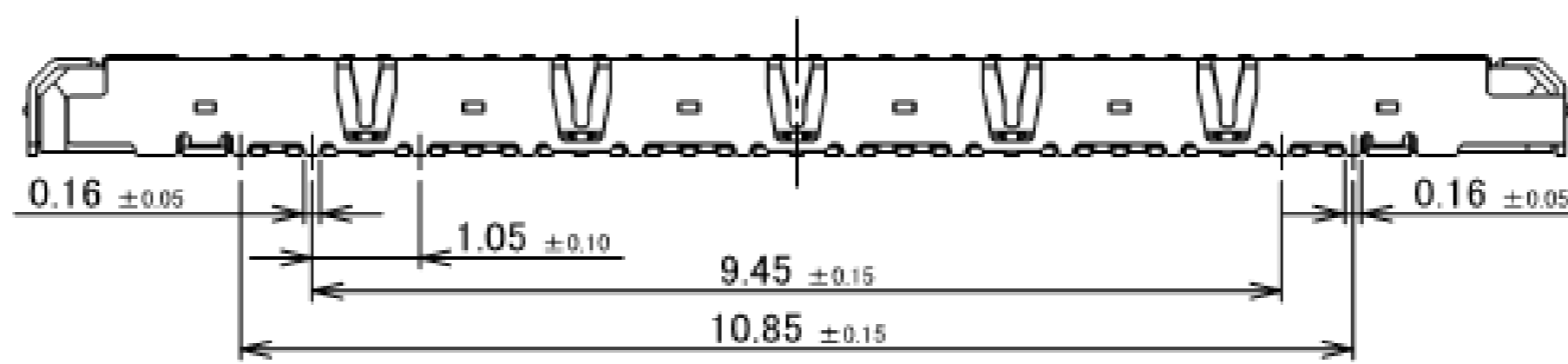
PART No.	SIGNAL POS.	POWER POS.
21151-022E-01	22P	4P
21151-056E-01	56P	4P
21151-062E-01	62P	4P



22P LAYOUT

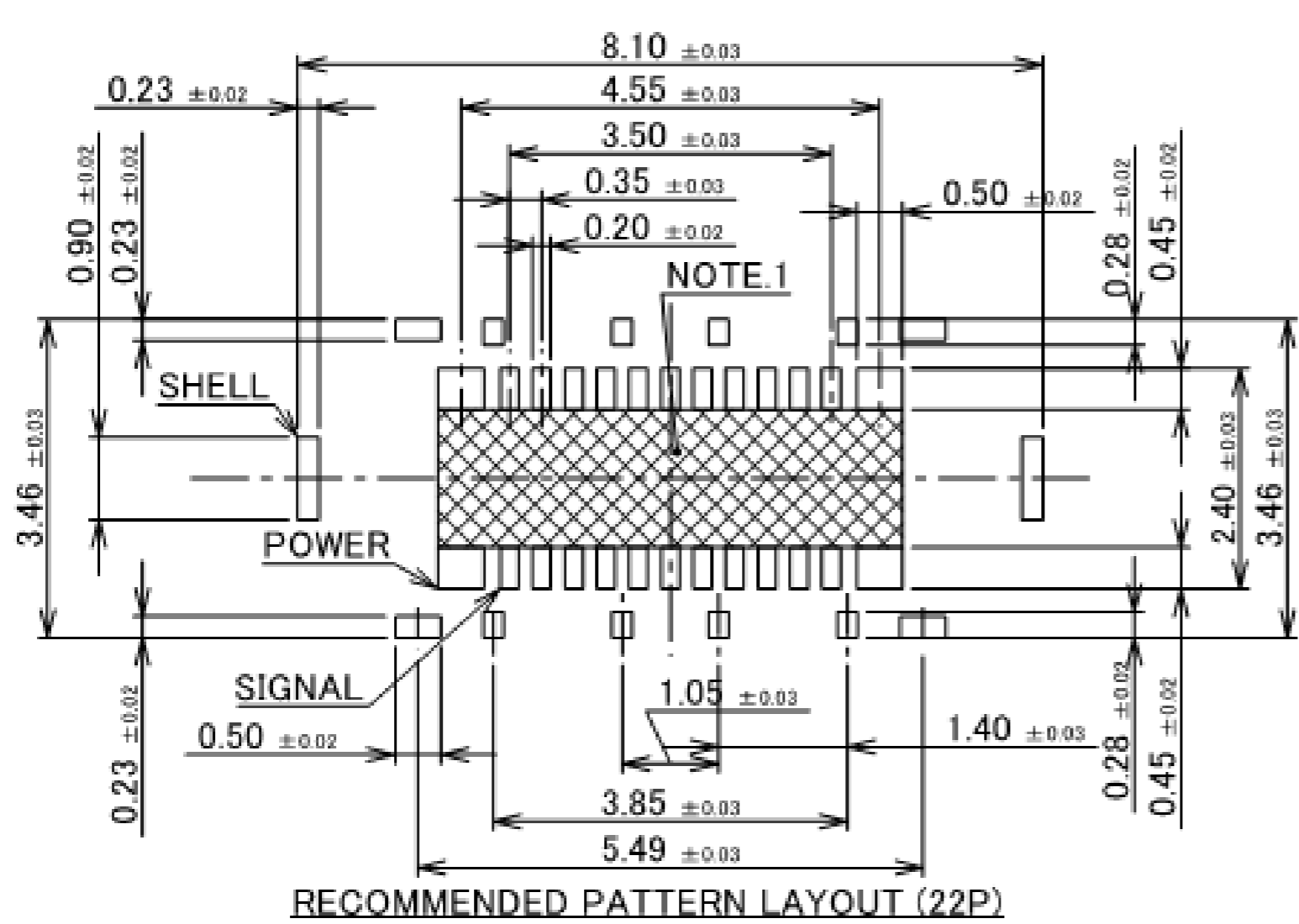


56P LAYOUT

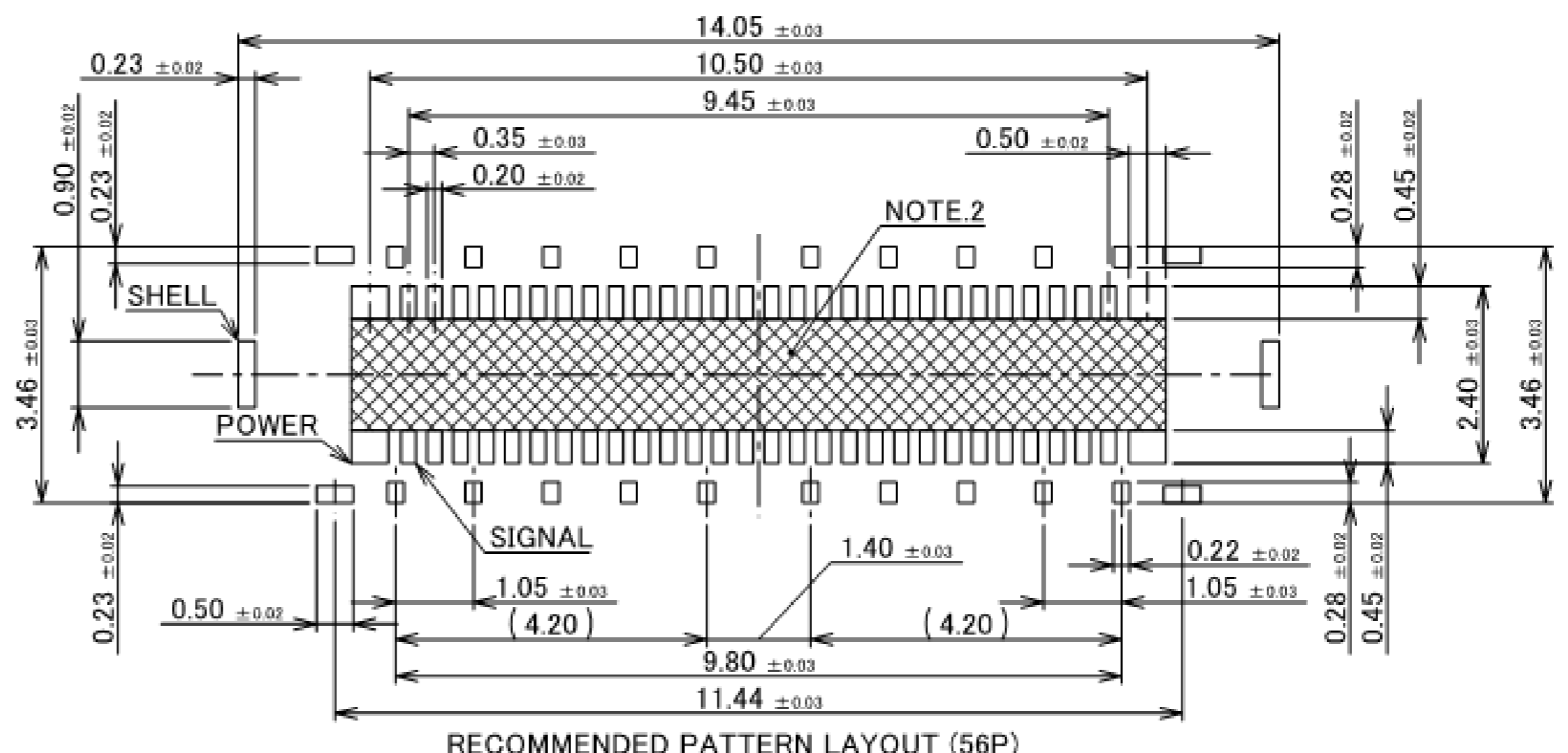


62P LAYOUT

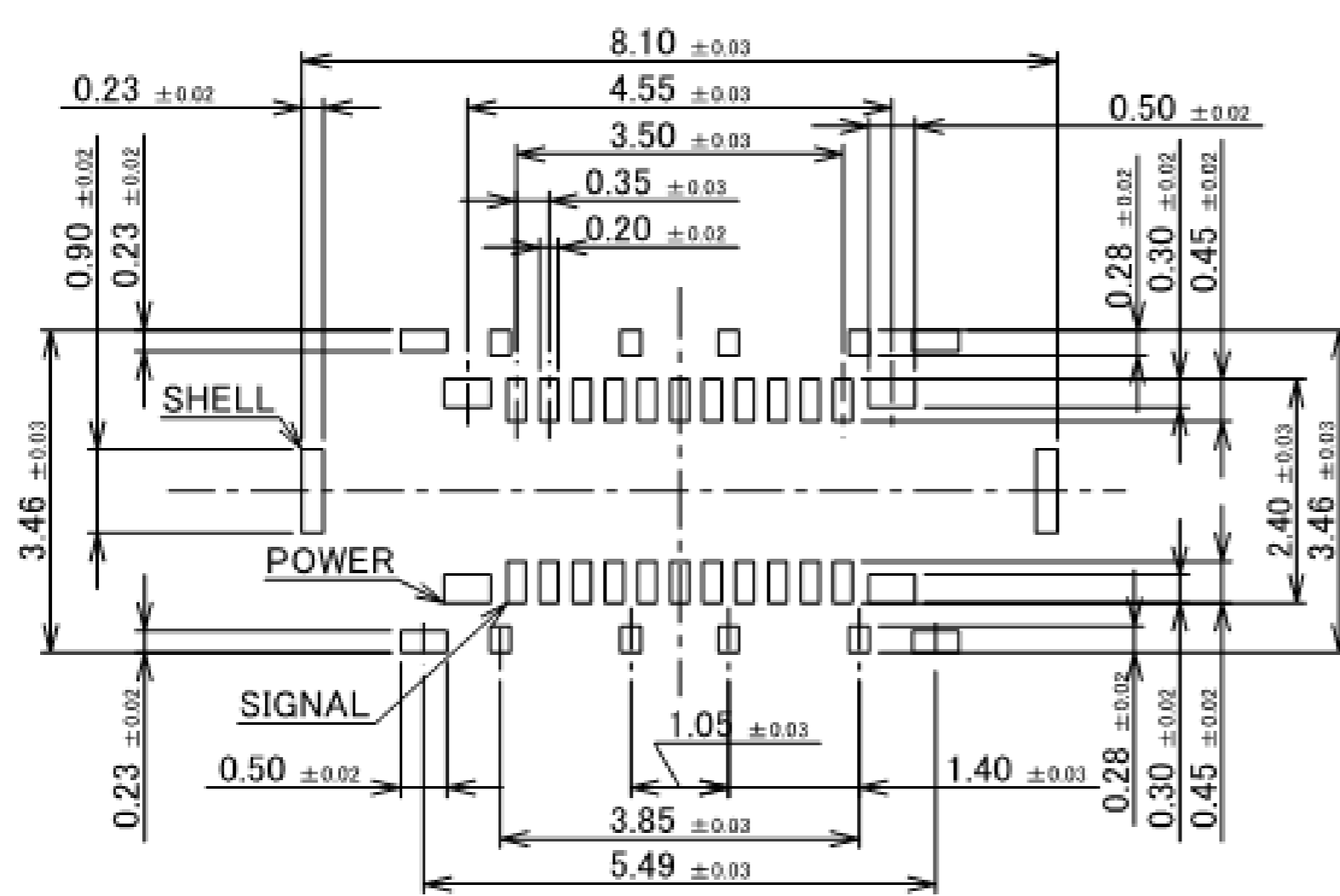
Rev.0



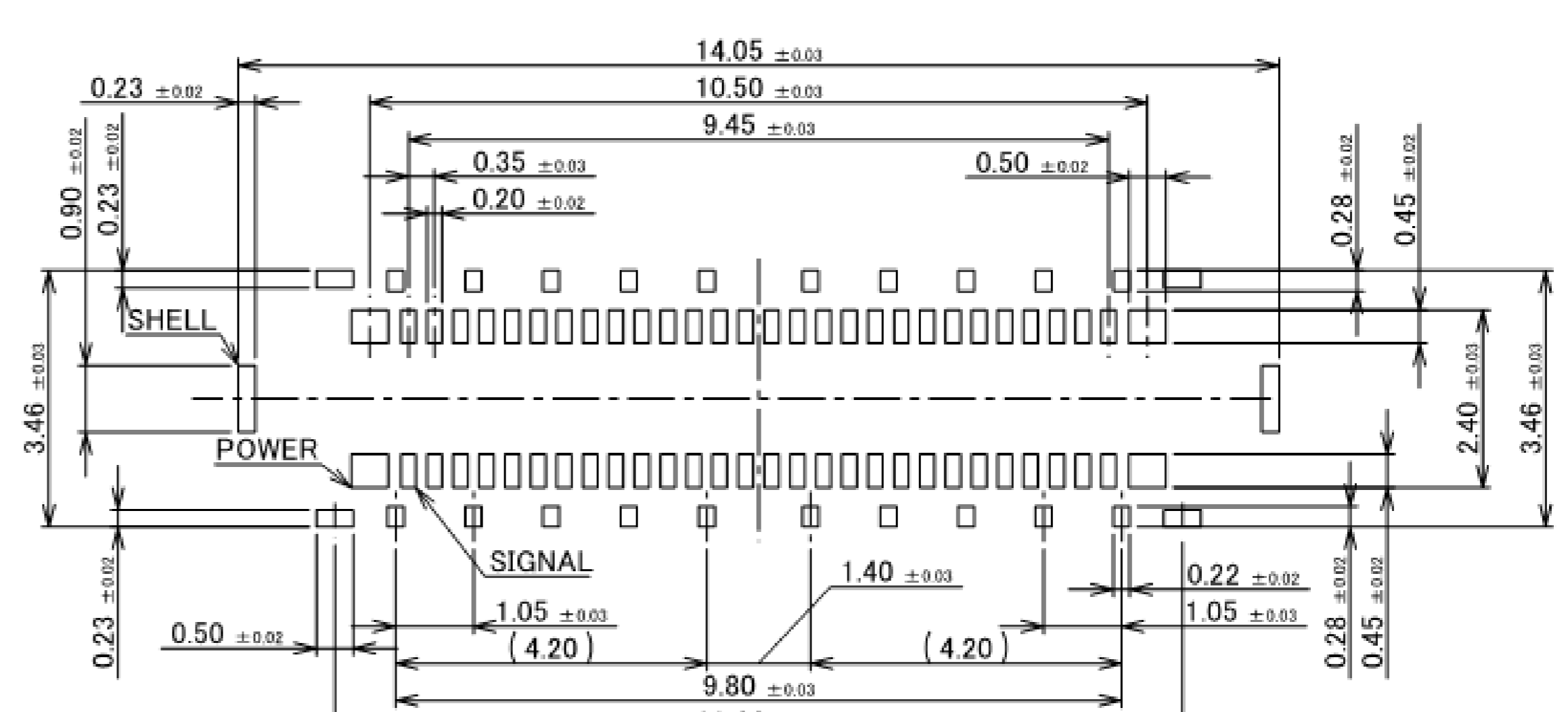
RECOMMENDED PATTERN LAYOUT (22P)



RECOMMENDED PATTERN LAYOUT (56P)



RECOMMENDED METAL MASK LAYOUT (22P)
THICKNESS : t=0.10mm



RECOMMENDED METAL MASK LAYOUT (56P)
THICKNESS : t=0.10mm

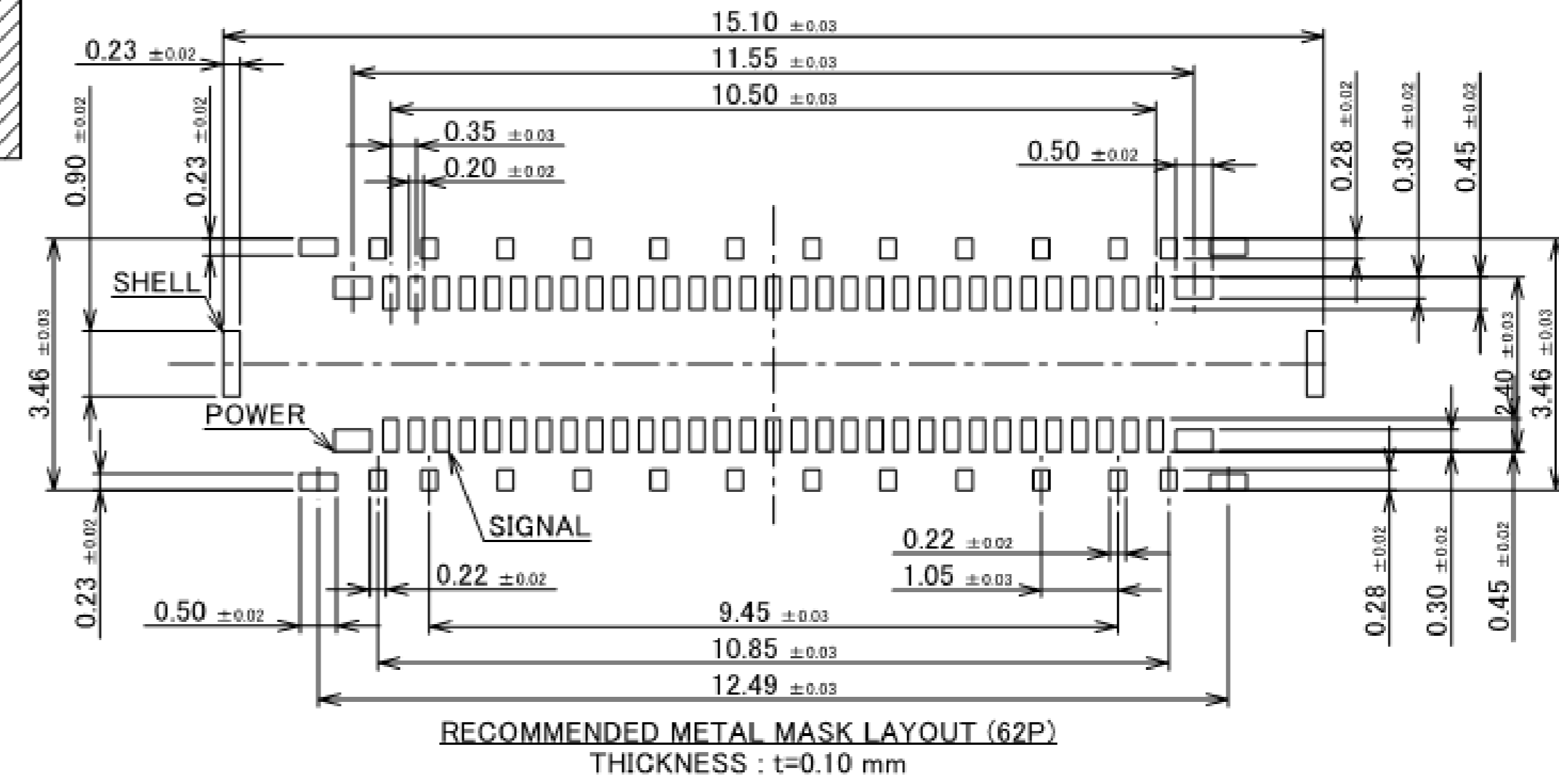
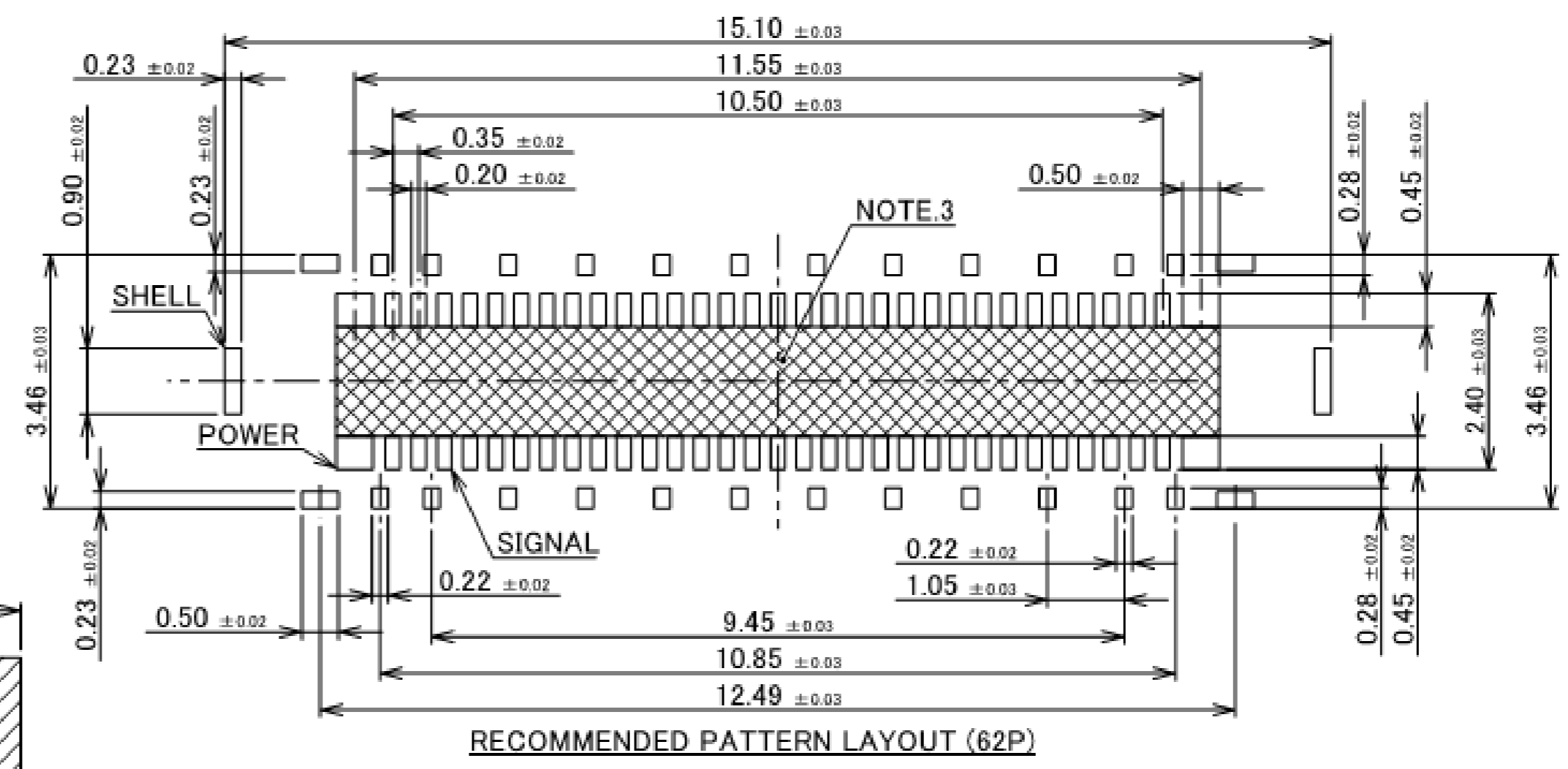
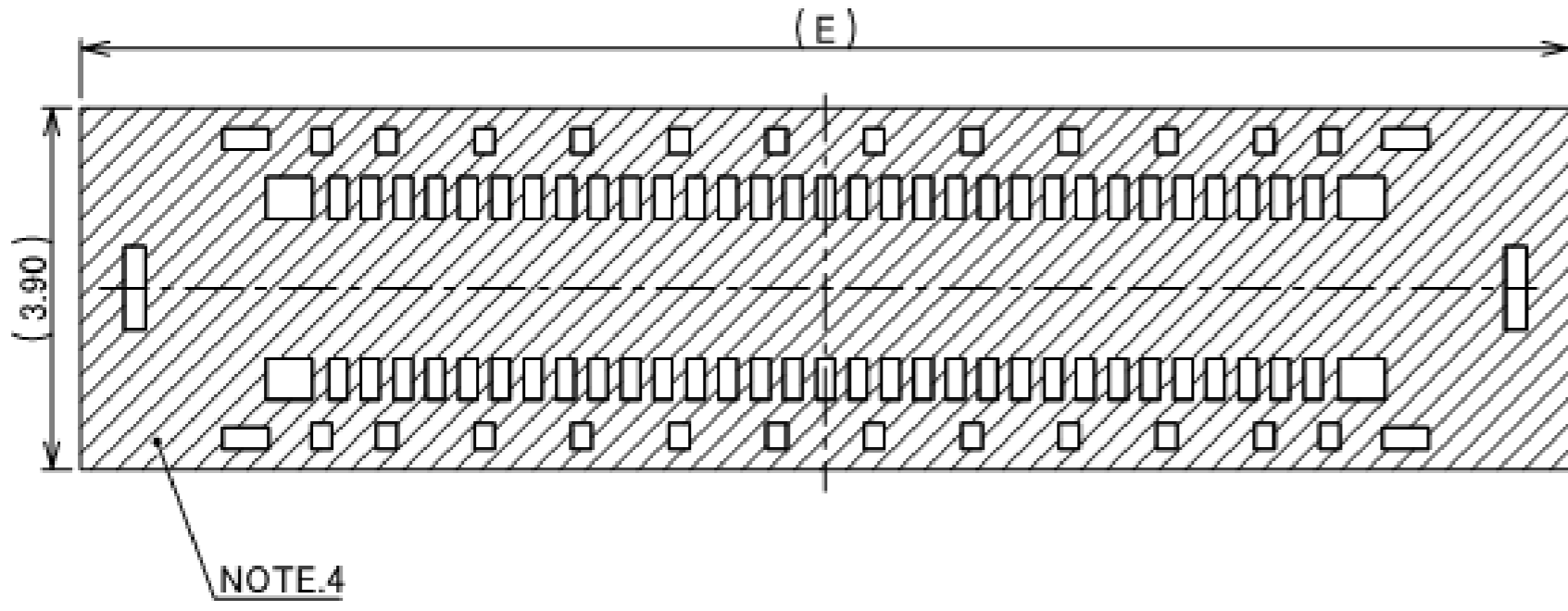
NOTES.

- SOLDER RESIST SHALL BE COATED IN CASE OF RUNNING TRACES ON THIS FOOT PRINT PATTERN PROHIBITION AREA.

Rev.0

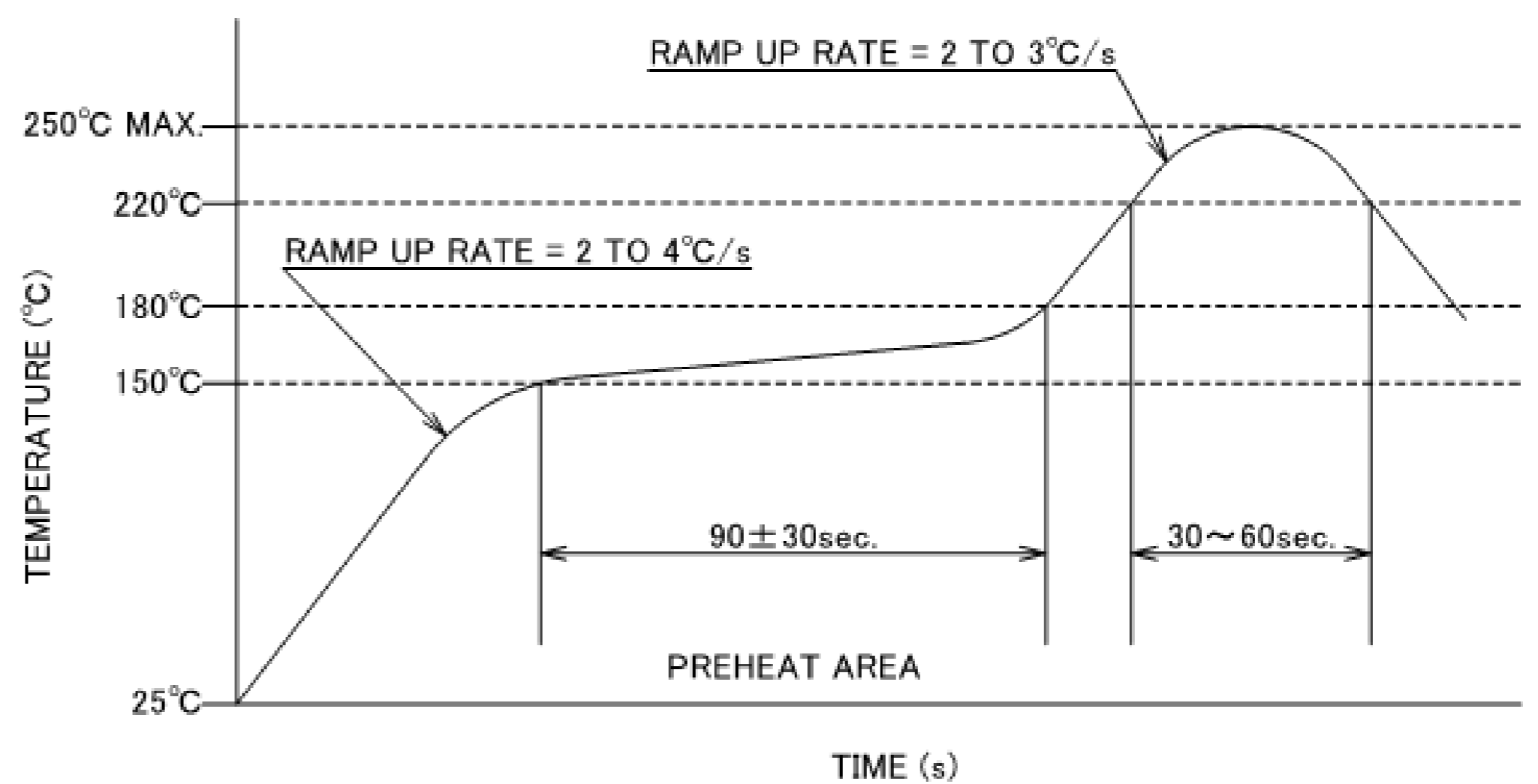
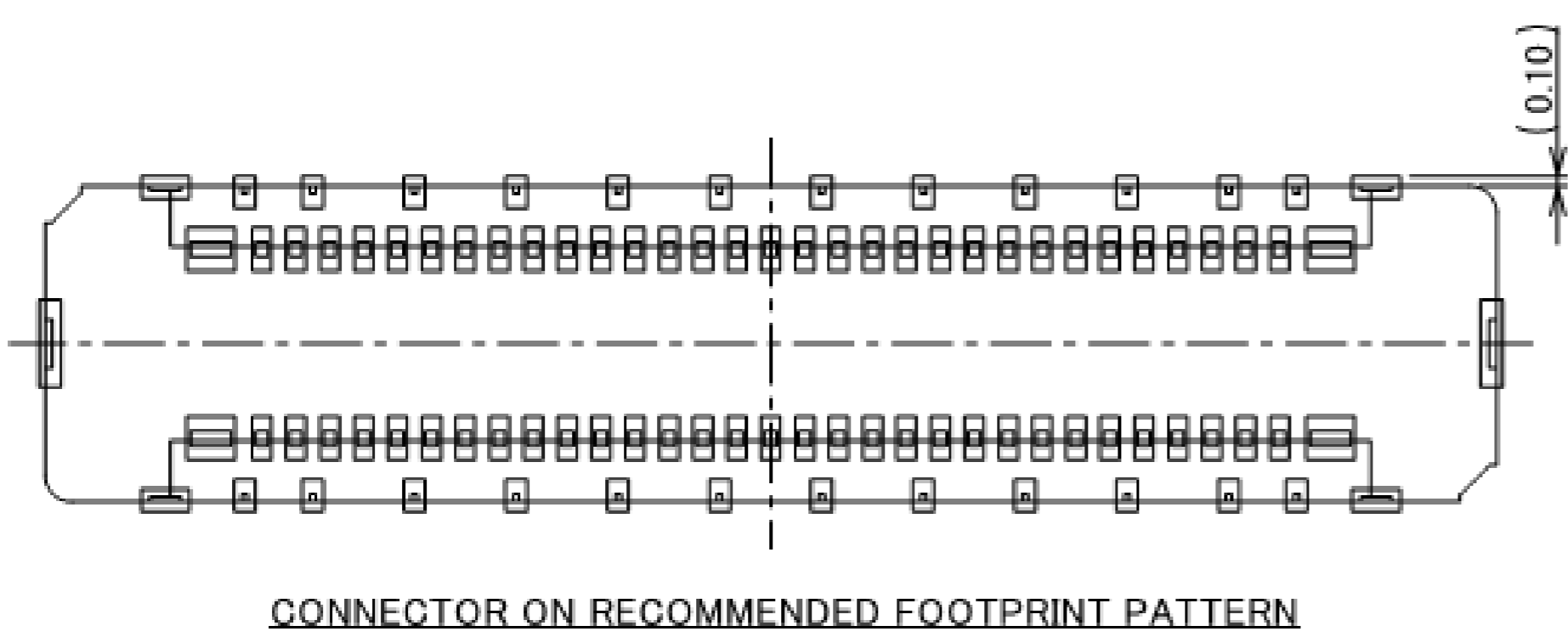
Receptacle Assembly

PART No.	SIGNAL POS.	POWER POS.	E
21151-022E-01	22P	4P	9.04
21151-056E-01	56P	4P	14.99
21151-062E-01	62P	4P	16.04



- NOTES.
- SOLDER RESIST SHALL BE COATED IN CASE OF RUNNING TRACES ON THIS FOOT PRINT PATTERN PROHIBITION AREA.
 - THIS AREA CANNOT MOUNT ANOTHER COMPONENTS.

Rev.0



REFLOW TEMPERATURE PROFILE
SENJU METAL INDUSTRY CO., LTD. : M705-SHF(Sn96.5 Ag3.0 Cu0.5)

Receptacle Assembly

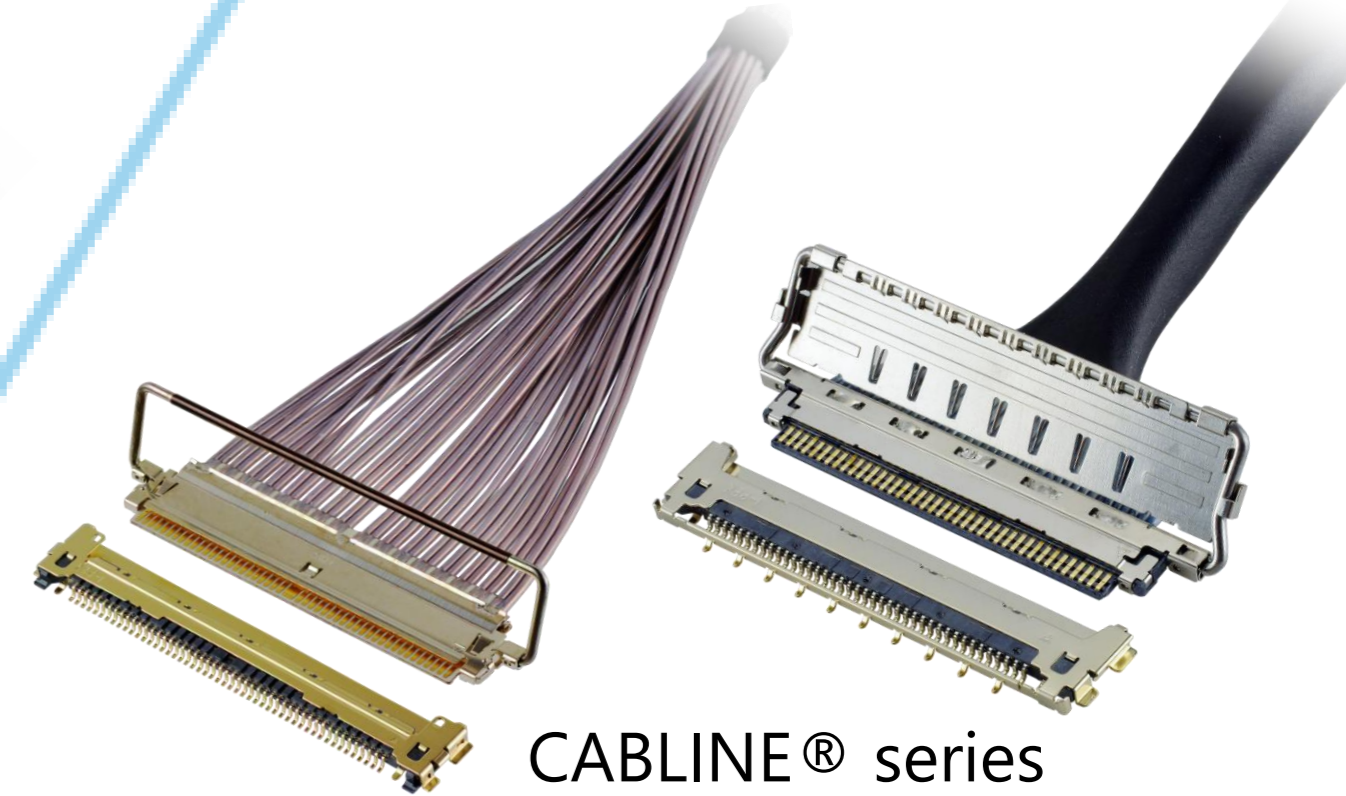
ITEMS	SPECIFICATION
APPLICABLE CONNECTOR PART No.	21150-0**E-01
RATED VOLTAGE	60V AC (PER CONTACT PIN)
RATED AMPERAGE (FOR SIGNAL CONTACT)	0.3A AC/DC (PER CONTACT PIN)/ 12.0A AC/DC(TOTAL)
RATED AMPERAGE (FOR POWER CONTACT)	4.5A AC/DC (PER CONTACT PIN)/ 18.0A AC/DC(TOTAL)
OPERATING TEMPERATURE	233 TO 358K(-40°C TO +85°C)
OPERATING HUMIDITY	85% MAX.(NON-CONDENSING)
CONTACT RESISTANCE (FOR SIGNAL CONTACT)	INITIAL : 40mohm MAX. / AFTER TEST : \triangle 40mohm MAX.
CONTACT RESISTANCE (FOR POWER CONTACT)	INITIAL : 10mohm MAX. / AFTER TEST : \triangle 10mohm MAX.
CONTACT RESISTANCE (FOR GROUND)	INITIAL : 20mohm MAX. / AFTER TEST : \triangle 20mohm MAX.
INSULATION RESISTANCE	INITIAL : 1,000Mohm MIN. / AFTER TEST : 500Mohm MIN.
DIELECTRIC WITHSTANDING VOLTAGE	AC250V 1min
DURABILITY	30 CYCLES
MATING FORCE (INITIAL)	22P: 32.0 N MAX. 56P: 60.0 N MAX. 62P: 70.0 N MAX.
UNMATING FORCE (AFTER TEST)	22P: 3.2 N MIN. 56P: 6.0 N MIN. 62P: 7.0 N MIN.
COPLANARITY	0.08 MAX.
PRODUCT SPECIFICATION	PRS-3005
TEST REPORT	TR-26015
PACKING STANDARD	PST-26018
INSTRUCTION MANUAL	HIM-26010
APPEARANCE CRITERIA No.	QLS-A***

Rev.0

Custom Connectors Available

RF Connectors

MHF® series



CABLINA® series

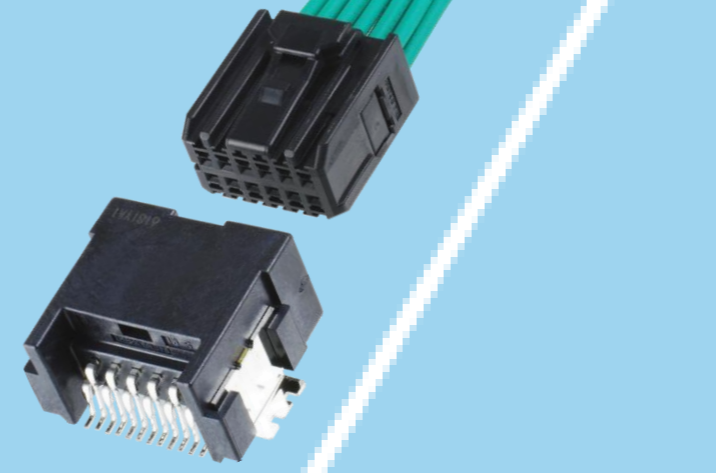
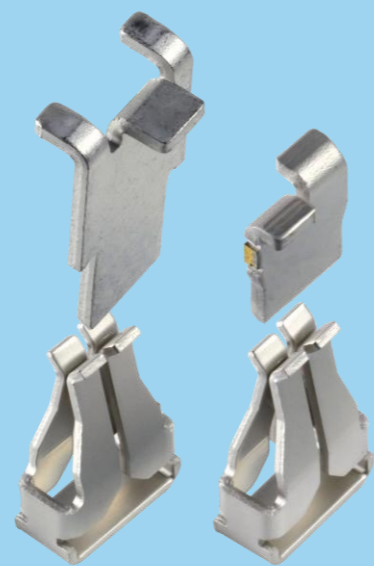
Micro-Coaxial/Twinaxial Connectors



Wire-to-Board Connectors/Terminals

AP series

ISH® series



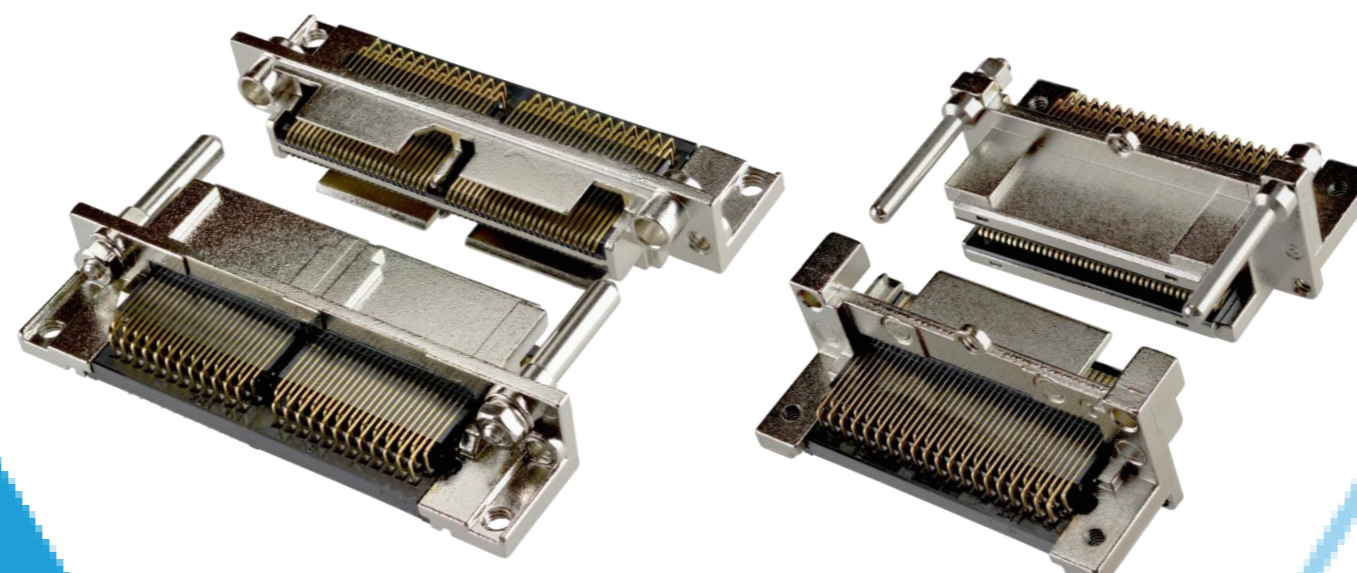
NOVASTACK® series



Board-to-Board Connectors



I/O Connectors



MINIDOCK™ series

MINIFLEX® series EVAFLEX® series



FPC/FFC Connectors



Inquiry



I-PEX, MHF, CABLINE, NOVASTACK, ISH, IARPB, MINIFLEX, EVAFLEX, MINIDOCK, i-Fit and ZenShield are registered trademarks of I-PEX Inc. Please note that the contents in the catalog might be changed without prior notification. I-PEX Inc. assumes no responsibility for any inaccuracies or obligation to update information on these documents. Please be sure to read and understand the latest "Precautions for Use" and "Instruction Manual" before you use our products. We shall not be responsible for any defects, damages or troubles in case you use our products without following the precautions for use. Please feel free to contact our sales representatives when you use our products for any applications that require very high reliability and safety, or that relate to human life (ex. nuclear power control, aerospace, transportation, medical equipment, safety equipment etc.).

Contact your sales representative or more detailed information.

www.i-pex.com



I-PEX

© I-PEX Inc. 2026
All rights reserved