

MP-S

PCB 彈簧片連接頭，用於接地和電源連接

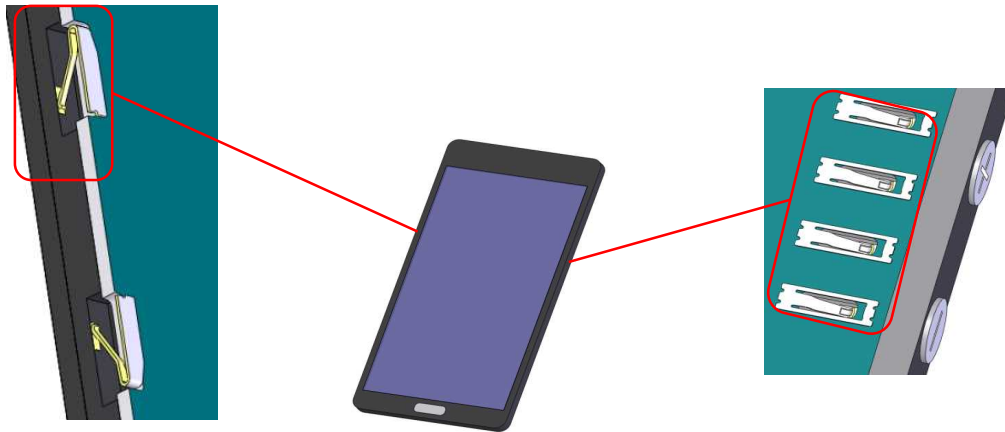
Product Specifications:

Rating Voltage	5v Ac (Per A Contact)
Operating Temperature	233~358 K (-40 °C ~ + 85 °C)
Operating Humidity	85 % Max. (Non-Condensing)
Durability	5 CYCLES
Contact Force	0.30 ~ 0.95 N (MP-S01)
Coplanarity	0.08 Max.

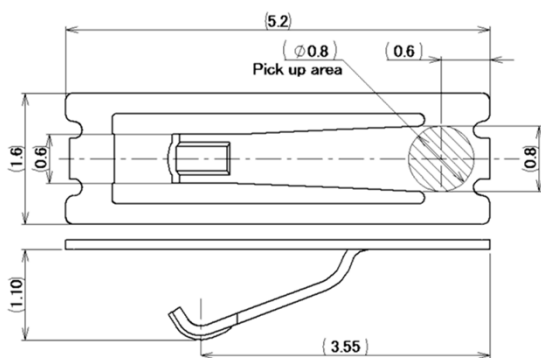
*若有規格外 P in 數需求,請與當地負責業務窗口聯繫。



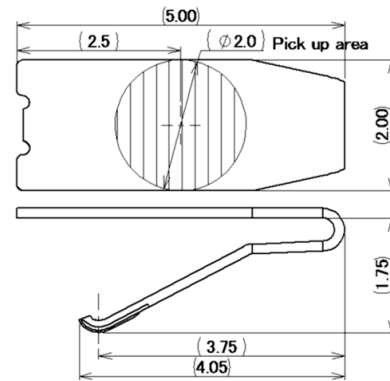
▶ 允許接地和電源連接反向接觸



▶ 加工高度: 0.65 mm - 0.95 mm (MP-S01), 0.85 mm - 1.25 mm (MP-S03)



MP-S01



MP-S03

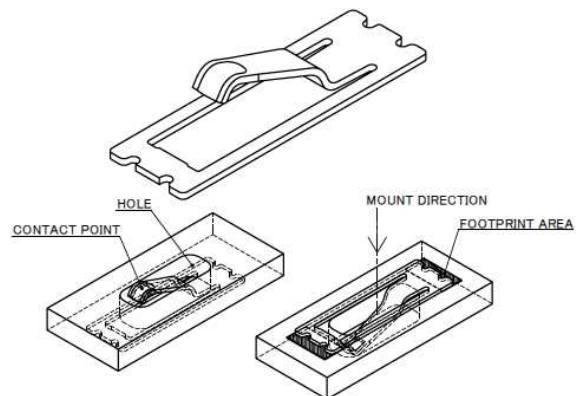
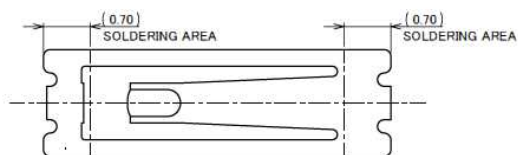
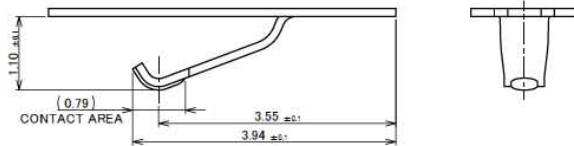
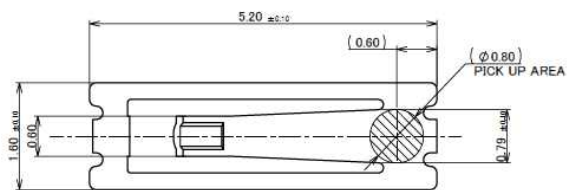
▶ 接觸力 0.3 - 0.95 N

	MP-S01	MP-S03
類別		
接觸力	0.3 N - 0.95 N	0.3 N - 1.10 N

Component Parts Details

MP-S01

Recommended P/N	3110-0001
PART NO.	3110-0001

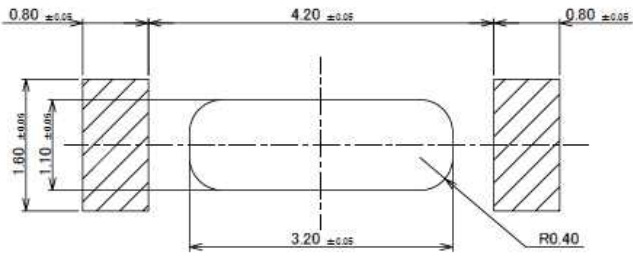


1	CONNECTOR	PHOSPHOR BRONZE T=0.12mm	UNDER PLATE Ni 1.27 μm MIN. CONTACT AREA Au 0.1 μm MIN.
NO.	DISCRIPTION	MATERIAL	FINISH , REMARKS

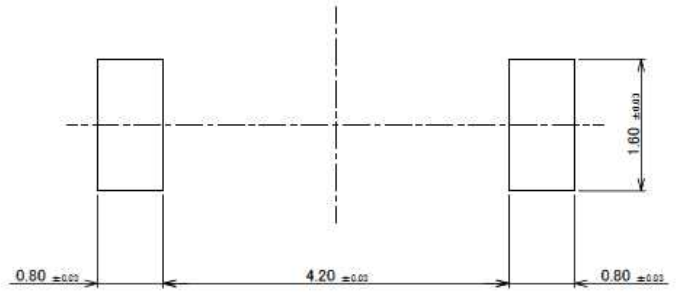
NOTES.
1 WORKING HEIGHT=0.75±0.10
2 BOARD THICKNESS=0.85 MAX.

Rev.5

MP-S01

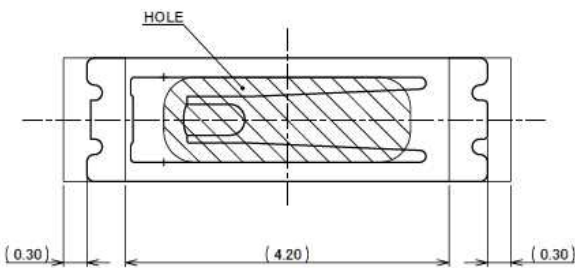


RECOMMENDED FOOTPRINT PATTERN LAYOUT

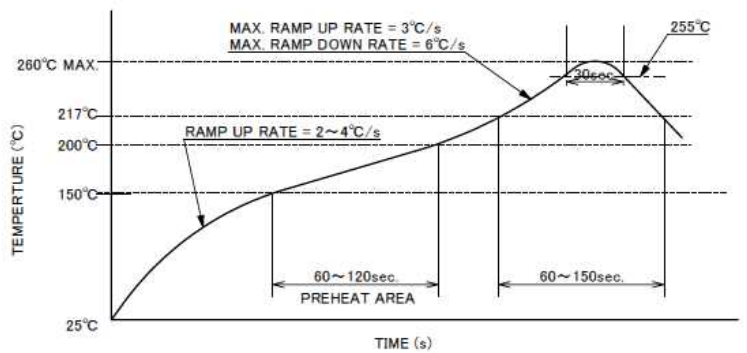


RECOMMENDED METAL MASK LAYOUT
METAL MASK THICKNESS : T=0.10mm

Rev.5



CONNECTOR ON RECOMMENDED FOOTPRINT PATTERN



REFLOW TEMPERATURE PROFILE
SENJU METAL INDUSTRY CO., LTD. M705-SHF(Sn96.5 Ag3.0 Cu0.5)

Rev.5

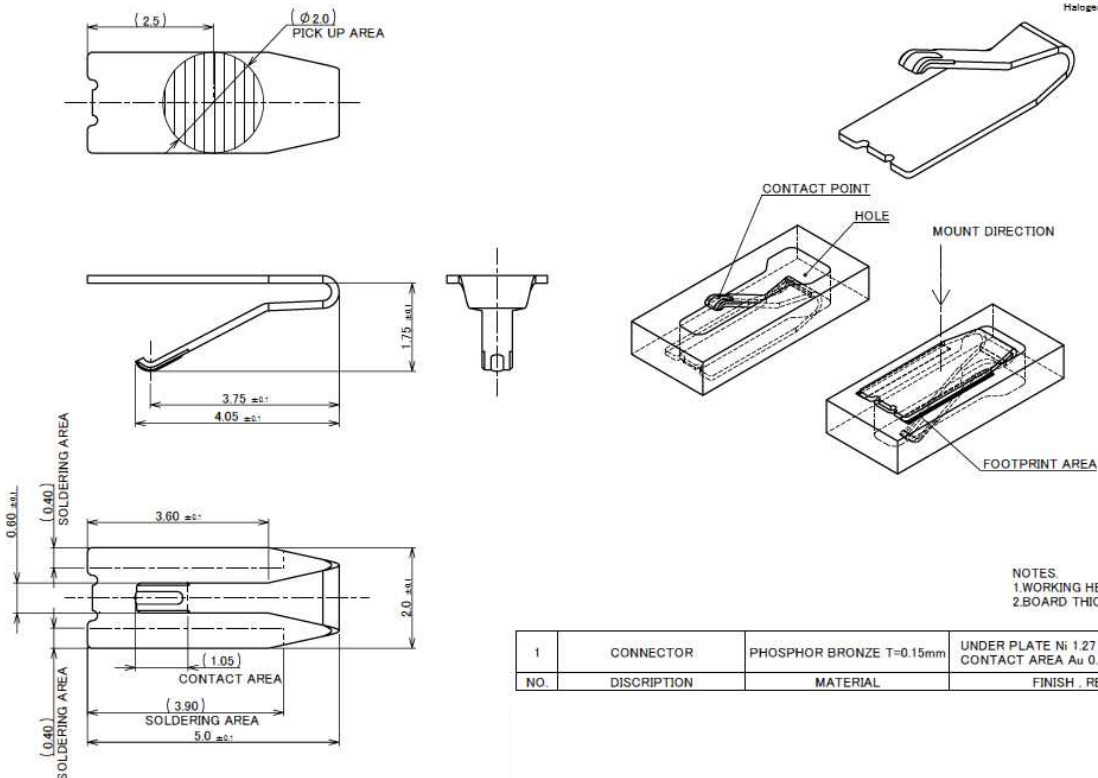
MP-S01

ITEMS	SPECIFICATION
RATING VOLTAGE	5 V AC (PER A CONTACT)
RATING AMPERAGE (FOR SIGNAL CONTACT)	0.7 A AC (PER A CONTACT)
OPERATING TEMPERATURE	248~358K(-40°C~85°C)
OPERATING HUMIDITY	85% MAX.(NON-CONDENSING)
CONTACT RESISTANCE (FOR SIGNAL CONTACT)	INITIAL : 25 mohm MAX. / AFTER TEST : 25 mohm MAX.
DURABILITY	10 CYCLES
CONTACT FORCE	0.30~0.95 N
COPLANARITY	0.08 MAX.
PRODUCT SPECIFICATION	PRS-2227
TEST REPORT	TR-16040
PACKING STANDARD	PST-18050
APPEARANCE CRITERIA No.	QLS-A***

Rev.5

MP-S03

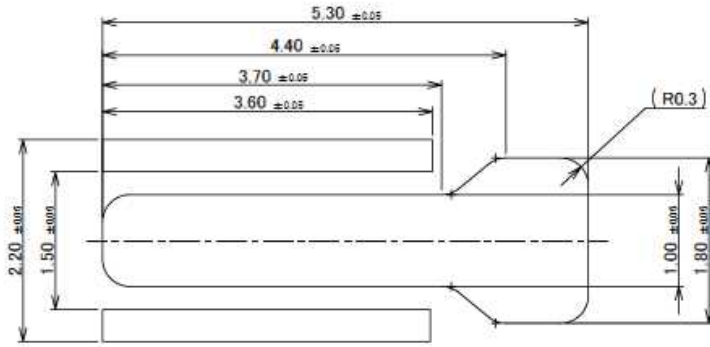
Recommended P/N	3112-0001
PART NO.	3112-0001



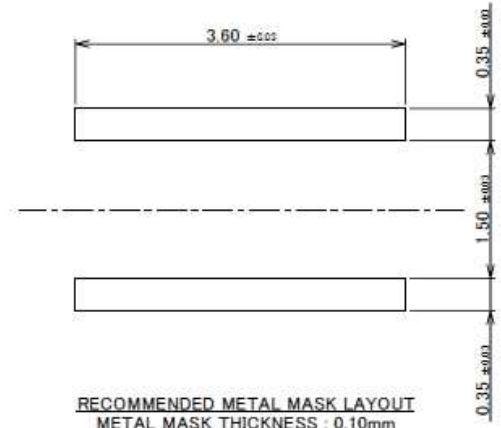
NO.	DISCRPTION	MATERIAL	FINISH , REMARKS
1	CONNECTOR	PHOSPHOR BRONZE T=0.15mm	UNDER PLATE Ni 1.27 μ m MIN. CONTACT AREA Au 0.1 μ m MIN.

Rev.5

MP-S03

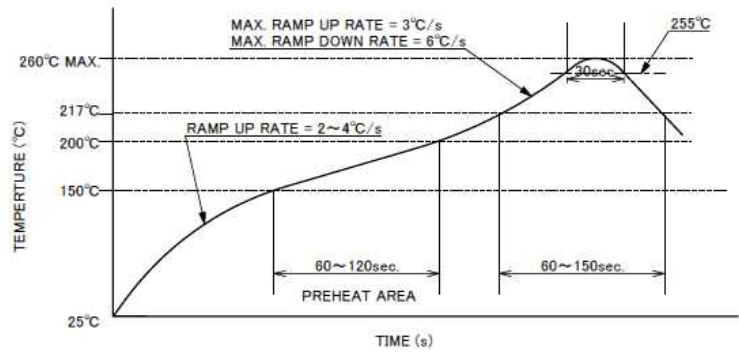
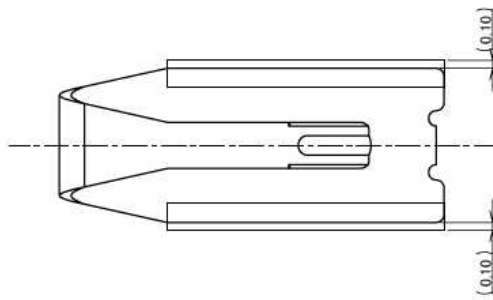


RECOMMENDED FOOTPRINT PATTERN LAYOUT



RECOMMENDED METAL MASK LAYOUT
METAL MASK THICKNESS: 0.10mm

Rev.5



REFLOW TEMPERATURE PROFILE
SENJU METAL INDUSTRY CO., LTD. : M705-SHF(Sn96.5 Ag3.0 Cu0.5)

Rev.5

MP-S03

ITEMS	SPECIFICATION
RATING VOLTAGE	5 V AC (PER A CONTACT)
RATING AMPERAGE (FOR SIGNAL CONTACT)	3 A AC (PER A CONTACT)
OPERATING TEMPERATURE	248~358K(-40°C~85°C)
OPERATING HUMIDITY	85% MAX.(NON-CONDENSING)
CONTACT RESISTANCE (FOR SIGNAL CONTACT)	INITIAL : 70 mohm MAX. / AFTER TEST : 70 mohm MAX.
DURABILITY	10 CYCLES
CONTACT FORCE	0.30~1.10 N
COPLANARITY	0.08 MAX.
PRODUCT SPECIFICATION	PRS-2228
TEST REPORT	TR-16041
PACKING STANDARD	PST-18051
APPEARANCE CRITERIA No.	QLS-A***

Rev.5

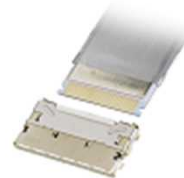
Board to Board



High-Density



Autolocking FPC/FFC



High-Density



FPC/FFC



Micro-Coaxial / Discrete Cable



High-Speed



RF



High-Frequency



Optical Module



High-Speed



Effector



Power



High-Power



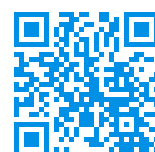
I/O (Input/Output)



Quick charge



Inquiry



Custom Connectors Available



I-PEX, MHF, CABLINE, NOVASTACK, EVAFLEX, MINIFLEX, ISH, IARPB, IASLP, ESTORQ, ISFIT, i-Fit and ZenShield are registered trademarks of I-PEX Inc. Please note that the contents in the catalog might be changed without prior notification. I-PEX Inc. assumes no responsibility for any inaccuracies or obligation to update information on these documents. Please be sure to read and understand the latest "Precautions for Use" and "Instruction Manual" before you use our products. We shall not be responsible for any defects, damages or troubles in case you use our products without following the precautions for use. Please feel free to contact our sales representatives when you use our products for any applications that require very high reliability and safety, or that relate to human life (ex. nuclear power control, aerospace, transportation, medical equipment, safety equipment etc.).

Contact your sales representative or more detailed information.

www.i-pex.com



I-PEX

© I-PEX Inc. 2022
All rights reserved.