

MP-S

PCB 弹簧片连接头，用于接地和电源连接

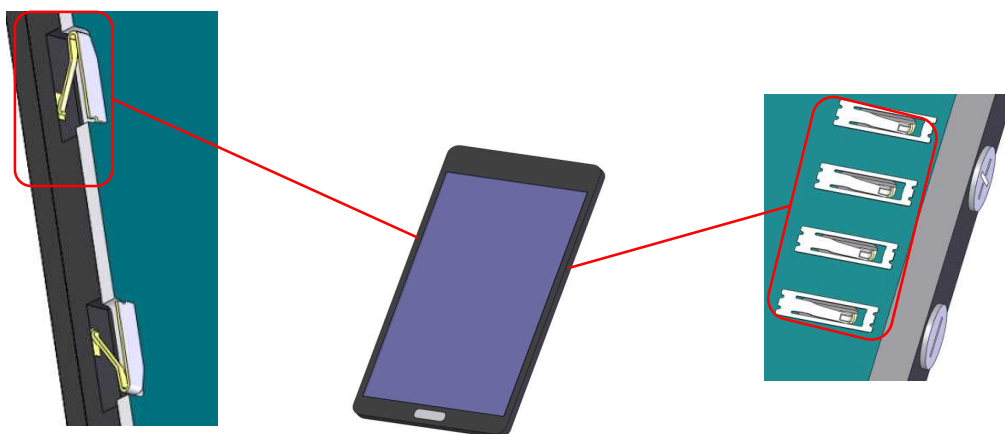
Product Specifications:

Rating Voltage	5v Ac (Per A Contact)
Operating Temperature	233~358 K (-40 °C ~ + 85 °C)
Operating Humidity	85 % Max. (Non-Condensing)
Durability	5 CYCLES
Contact Force	0.30 ~ 0.95 N (MP-S01)
Coplanarity	0.08 Max.

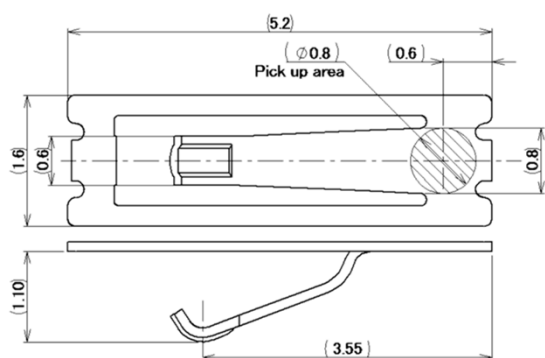
*如您需要了解未列出或不在范围内的Pin数，请咨询我们。



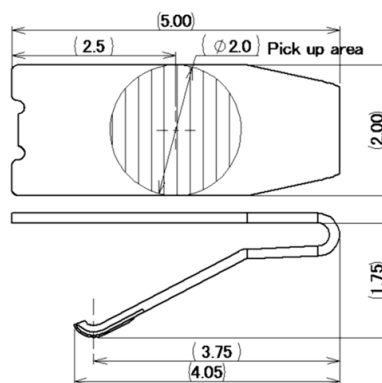
▶ 允许接地或作为负极电源



▶ 有效工作高度: 0.65 mm - 0.95 mm (MP-S01), 0.85 mm - 1.25 mm (MP-S03)



MP-S01



MP-S03

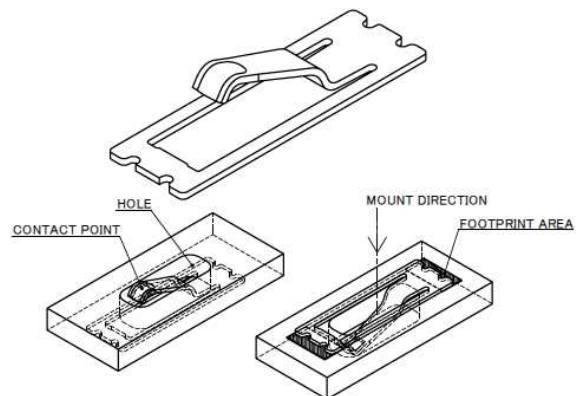
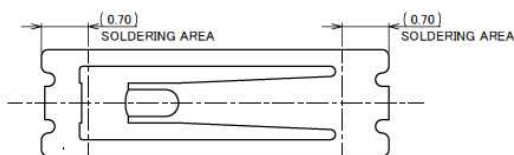
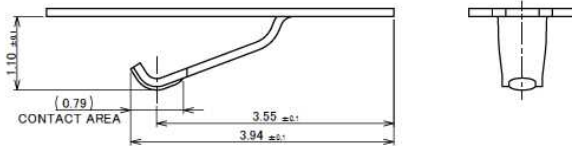
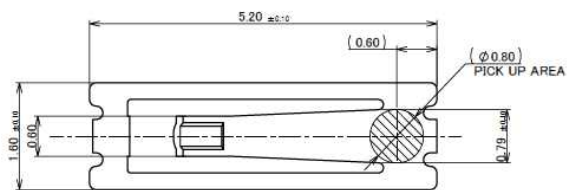
▶ 接触力 0.3 - 0.95 N

	MP-S01	MP-S03
类别		
接触力	0.3 N - 0.95 N	0.3 N - 1.10 N

Component Parts Details

MP-S01

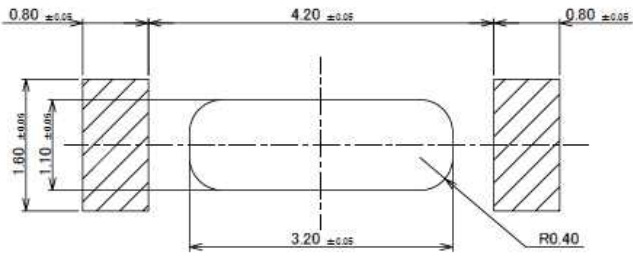
Recommended P/N	3110-0001
PART NO.	3110-0001



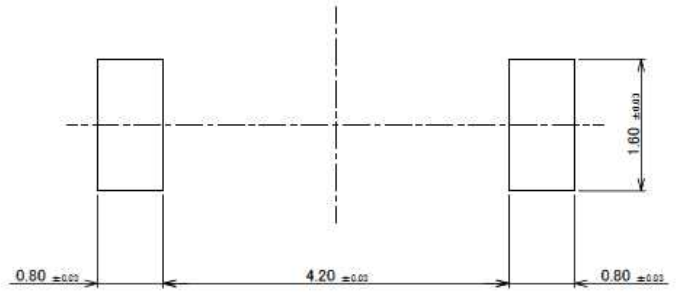
1	CONNECTOR	PHOSPHOR BRONZE T=0.12mm	UNDER PLATE Ni 1.27 μm MIN. CONTACT AREA Au 0.1 μm MIN.
NO.	DISCRIPTION	MATERIAL	FINISH , REMARKS

NOTES.
1 WORKING HEIGHT=0.75±0.10
2 BOARD THICKNESS=0.85 MAX.

MP-S01

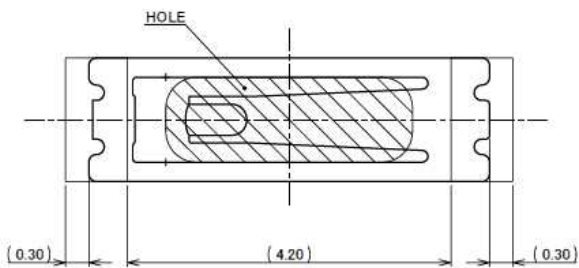


RECOMMENDED FOOTPRINT PATTERN LAYOUT

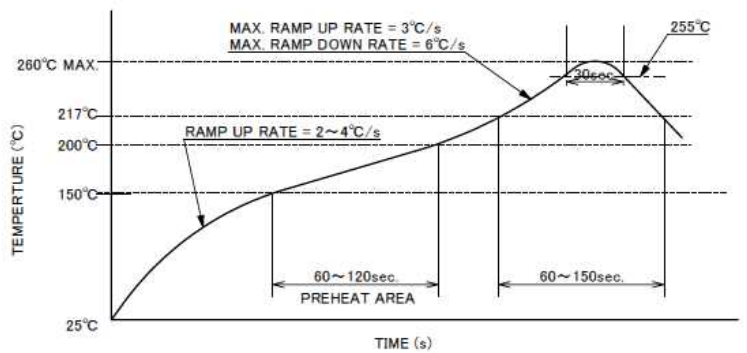


RECOMMENDED METAL MASK LAYOUT
METAL MASK THICKNESS : T=0.10mm

Rev.5



CONNECTOR ON RECOMMENDED FOOTPRINT PATTERN



REFLOW TEMPERATURE PROFILE
SENJU METAL INDUSTRY CO., LTD. M705-SHF(Sn96.5 Ag3.0 Cu0.5)

Rev.5

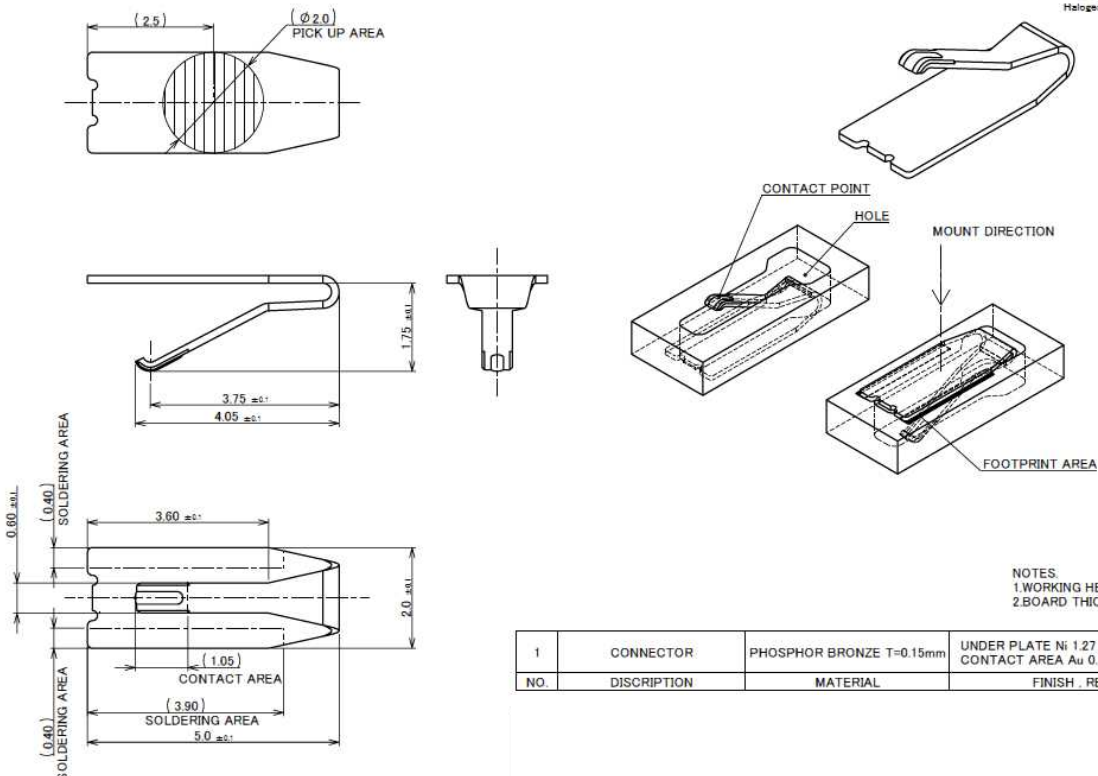
MP-S01

ITEMS	SPECIFICATION
RATING VOLTAGE	5 V AC (PER A CONTACT)
RATING AMPERAGE (FOR SIGNAL CONTACT)	0.7 A AC (PER A CONTACT)
OPERATING TEMPERATURE	248~358K(-40°C~85°C)
OPERATING HUMIDITY	85% MAX.(NON-CONDENSING)
CONTACT RESISTANCE (FOR SIGNAL CONTACT)	INITIAL : 25 mohm MAX. / AFTER TEST : 25 mohm MAX.
DURABILITY	10 CYCLES
CONTACT FORCE	0.30~0.95 N
COPLANARITY	0.08 MAX.
PRODUCT SPECIFICATION	PRS-2227
TEST REPORT	TR-16040
PACKING STANDARD	PST-18050
APPEARANCE CRITERIA No.	QLS-A***

Rev.5

MP-S03

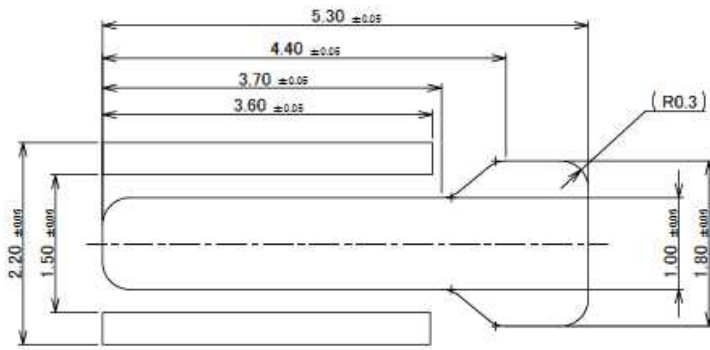
Recommended P/N	3112-0001
PART NO.	3112-0001



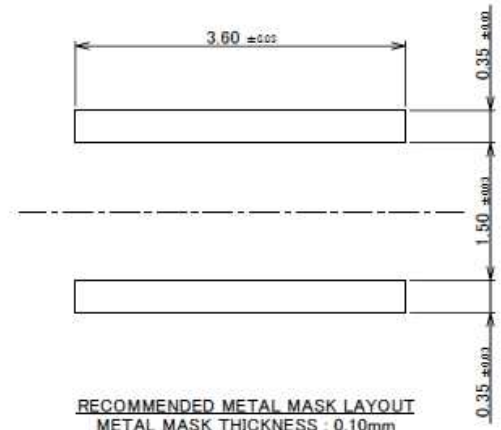
NO.	DISCRPTION	MATERIAL	FINISH , REMARKS
1	CONNECTOR	PHOSPHOR BRONZE T=0.15mm	UNDER PLATE Ni 1.27 μ m MIN. CONTACT AREA Au 0.1 μ m MIN.

Rev.5

MP-S03

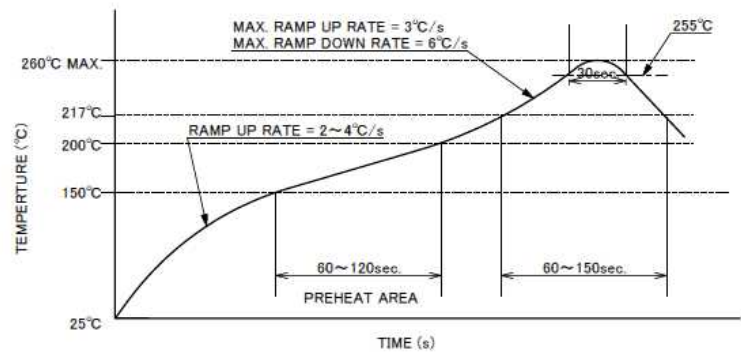
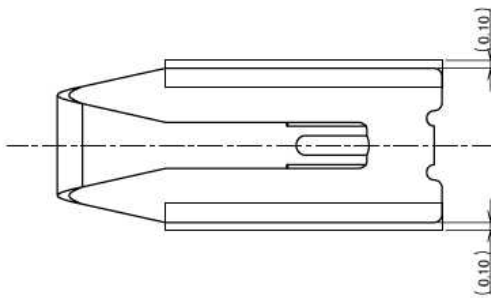


RECOMMENDED FOOTPRINT PATTERN LAYOUT



RECOMMENDED METAL MASK LAYOUT
METAL MASK THICKNESS : 0.10mm

Rev.5



Rev.5

MP-S03

ITEMS	SPECIFICATION
RATING VOLTAGE	5 V AC (PER A CONTACT)
RATING AMPERAGE (FOR SIGNAL CONTACT)	3 A AC (PER A CONTACT)
OPERATING TEMPERATURE	248~358K(-40°C~85°C)
OPERATING HUMIDITY	85% MAX.(NON-CONDENSING)
CONTACT RESISTANCE (FOR SIGNAL CONTACT)	INITIAL : 70 mohm MAX. / AFTER TEST : 70 mohm MAX.
DURABILITY	10 CYCLES
CONTACT FORCE	0.30~1.10 N
COPLANARITY	0.08 MAX.
PRODUCT SPECIFICATION	PRS-2228
TEST REPORT	TR-16041
PACKING STANDARD	PST-18051
APPEARANCE CRITERIA No.	QLS-A***

Rev.5

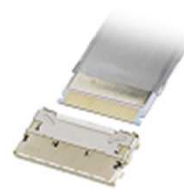
Board to Board



High-Density



Autolocking FPC/FFC



High-Density



FPC/FFC



Micro-Coaxial / Discrete Cable



High-Speed



RF



High-Frequency



Optical Module



High-Speed



Power



High-Power



I/O (Input/Output)



Quick charge



Effector



Custom Connectors Available

Inquiry



I-PEX, MHF, CABLINE, NOVASTACK, EVAFLEX, MINIFLEX, ISH, IARPB, IASLP, ESTORQ, ISFIT, i-Fit and ZenShield are registered trademarks of I-PEX Inc. Please note that the contents in the catalog might be changed without prior notification. I-PEX Inc. assumes no responsibility for any inaccuracies or obligation to update information on these documents. Please be sure to read and understand the latest "Precautions for Use" and "Instruction Manual" before you use our products. We shall not be responsible for any defects, damages or troubles in case you use our products without following the precautions for use. Please feel free to contact our sales representatives when you use our products for any applications that require very high reliability and safety, or that relate to human life (ex. nuclear power control, aerospace, transportation, medical equipment, safety equipment etc.).

Contact your sales representative or more detailed information.

www.i-pex.com



I-PEX

© I-PEX Inc. 2022
All rights reserved.