

MINIFLEX® 3-BFN L-LK-HD

기계식 Lock 기능, 보강판에 의한 견고성, 롱액추에이터, 저배 (높이 = 0.9 mm), 0.3 mm Pitch, 수평 결합, 백플립



Product Specifications:

Board Pitch (mm)	0.3	
Wiping Length (mm)	Contact A:0.9	
	Contact B:0.45	
Size (mm)	Height	0.90 +/- 0.10
	Width	Formula: Even no pos: 3.0+(0.3*?p). Odd no pos: 2.7+(0.3*?p)
	Depth	Open:2.55 Close:3.5
Pin counts	Range	11-57 (odd)
	Available	11, 40, 45

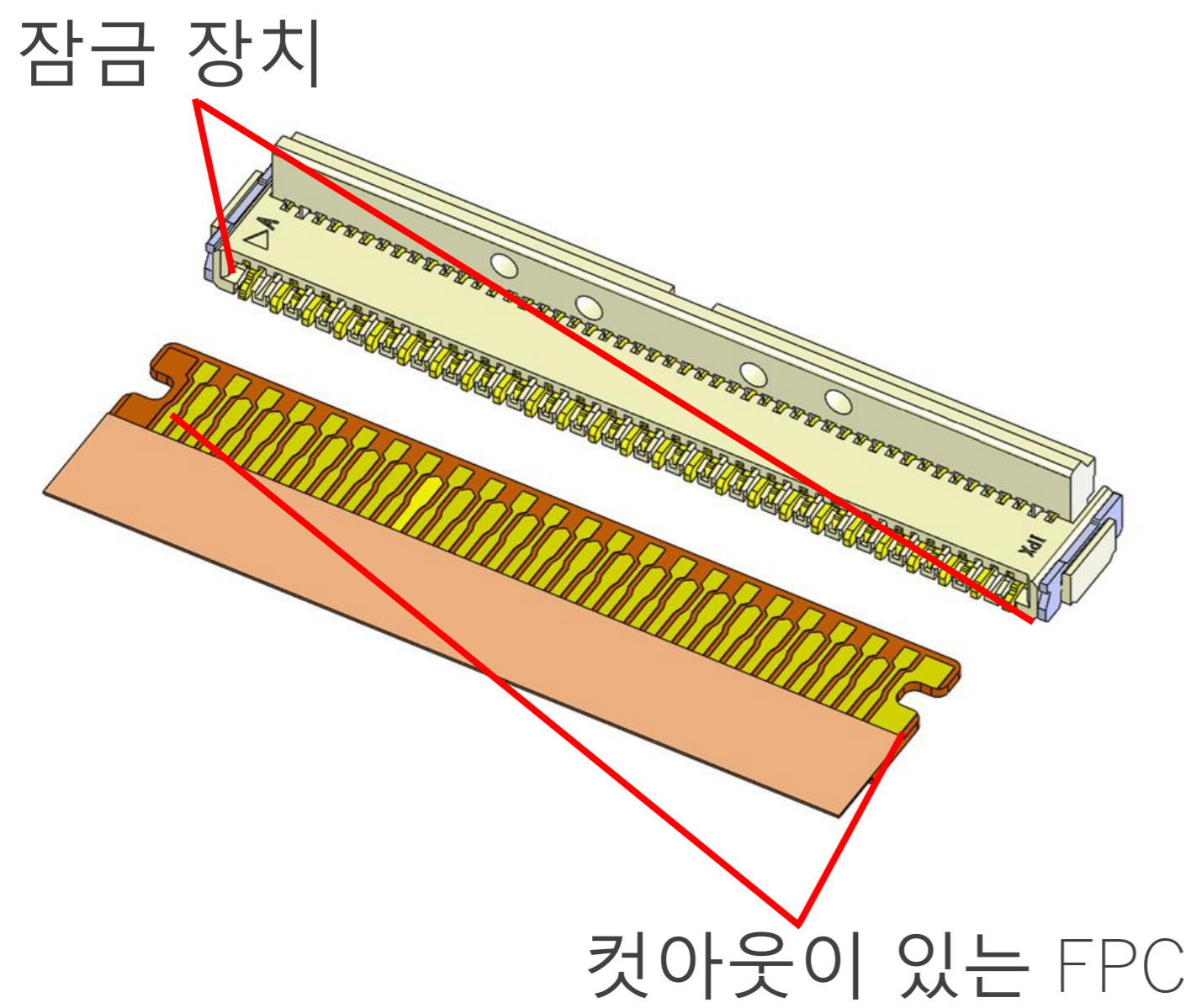
Applicable FPC/FFC:

FPC/FFC Contact Pitch	0.3
FPC/FFC Contact Point	Top and Bottom
FPC/FFC Thickness (mm)	0.2 +/- 0.03

*기재가 되어있지 않은 핀 수의 대응 여부에 대해서는 문의해 부탁드립니다.

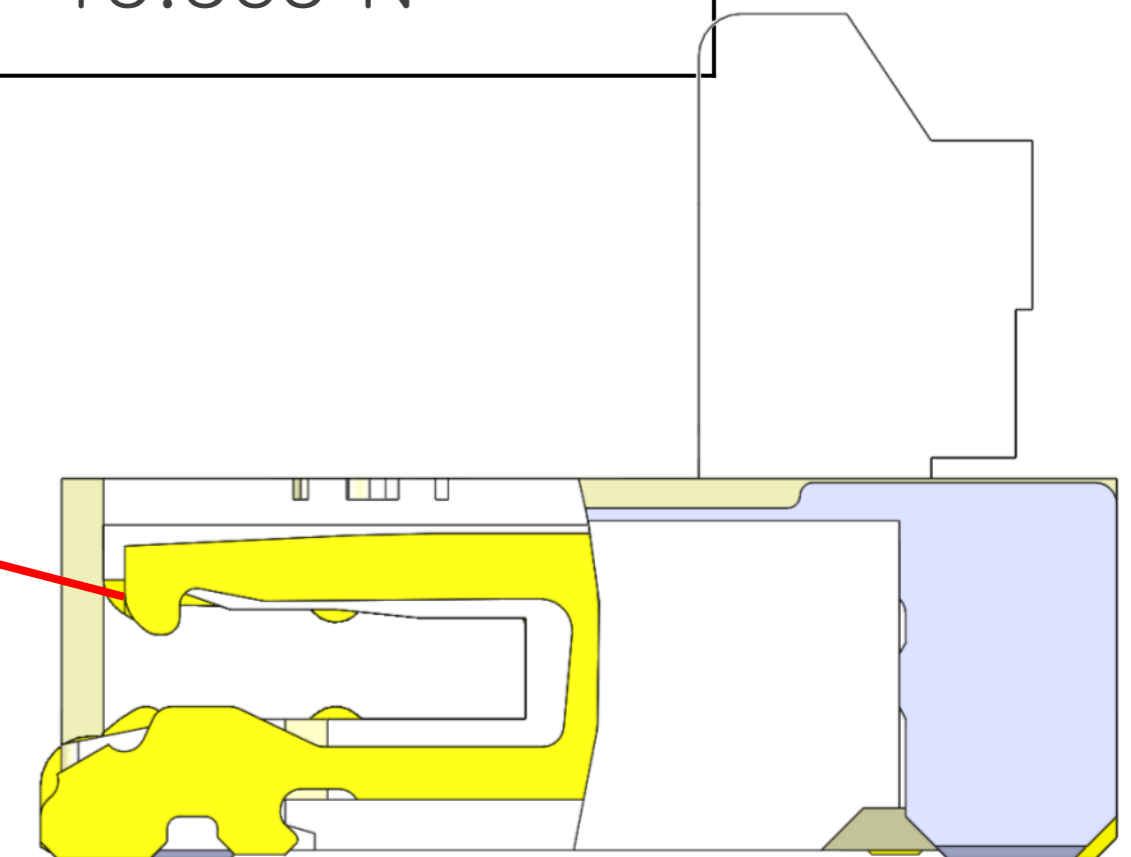
▶ 기계식 Lock 기능에 의한 높은 FPC 유지력

FPC 고정력 비교 (45 p)



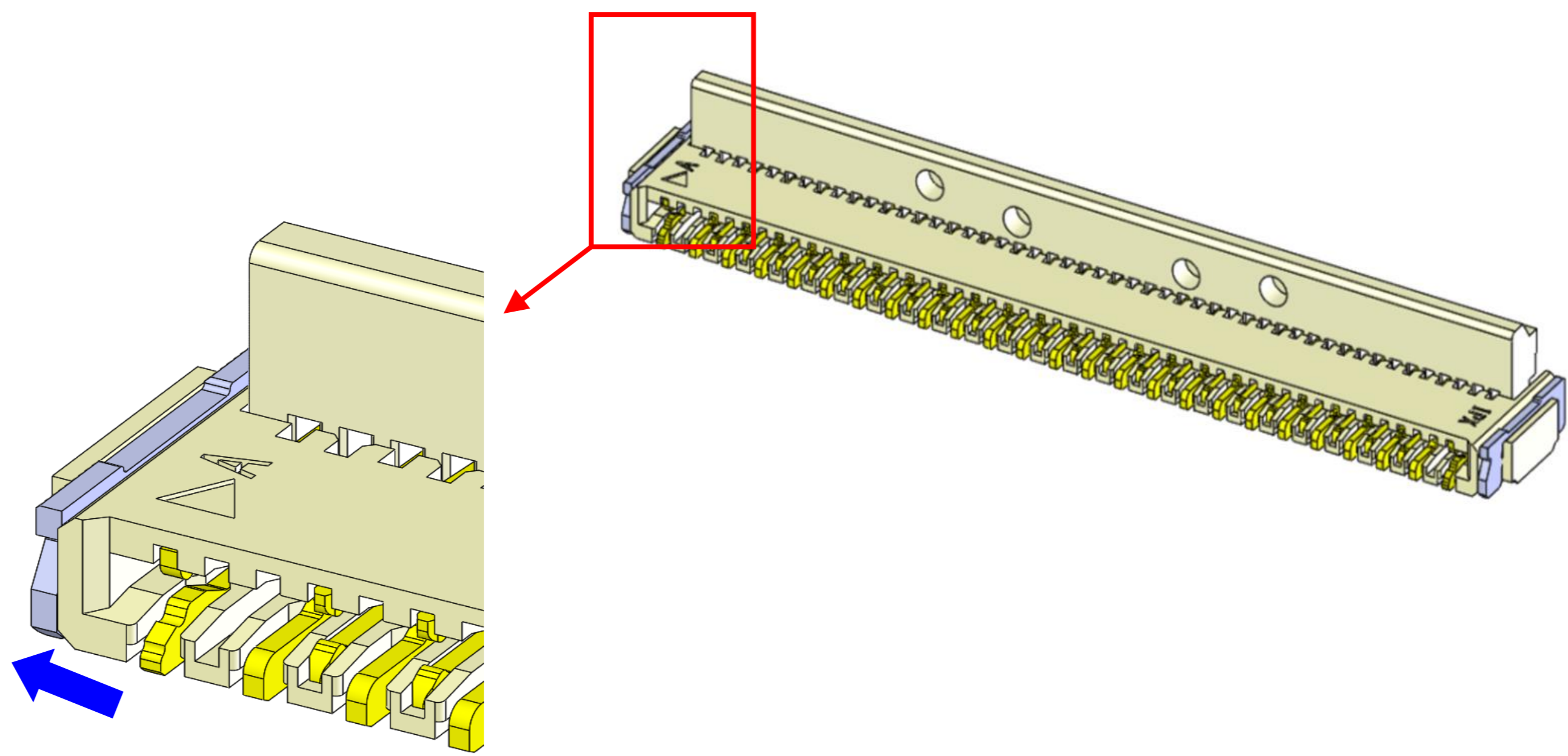
MINIFLEX® 3-BFN L-LK-HD	MINIFLEX® 3-BFN Long
20.710 N	15.535 N

FPC 잠금 장치 메커니즘이 높은 FPC 고정력을 유지함



▶ 보강판에 의한 측벽 강도 강화

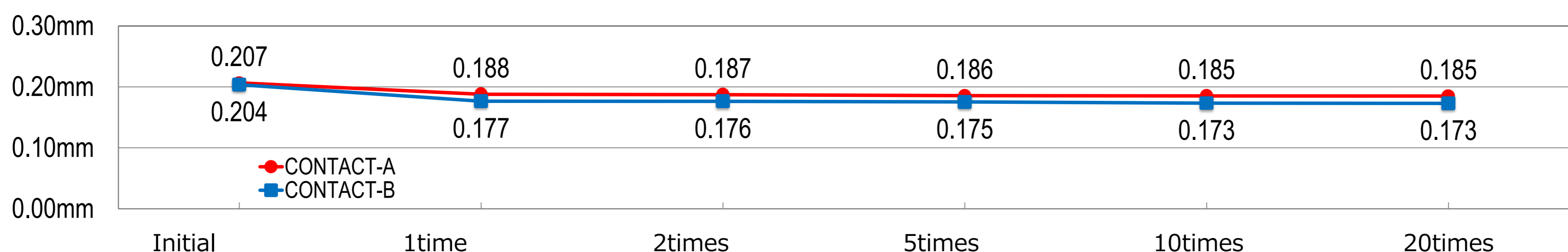
< 강도 개선 >



▶ FPC 미삽입 상태에서도 액추에이터 닫기 조작 가능(단자 변형 최소화)

SMT 공정 후에 FPC를 삽입하지 않고 우연히 액추에이터를 닫은 경우에도 Contact 변형 최소화

- 커넥터가 여전히 안정적으로 작동합니다 (FPC를 삽입하지 않은 상태에서 액추에이터 작동 전후 접촉 간격 그래프 MINIFLEX® 3-BFN L-LK-HD 51핀)



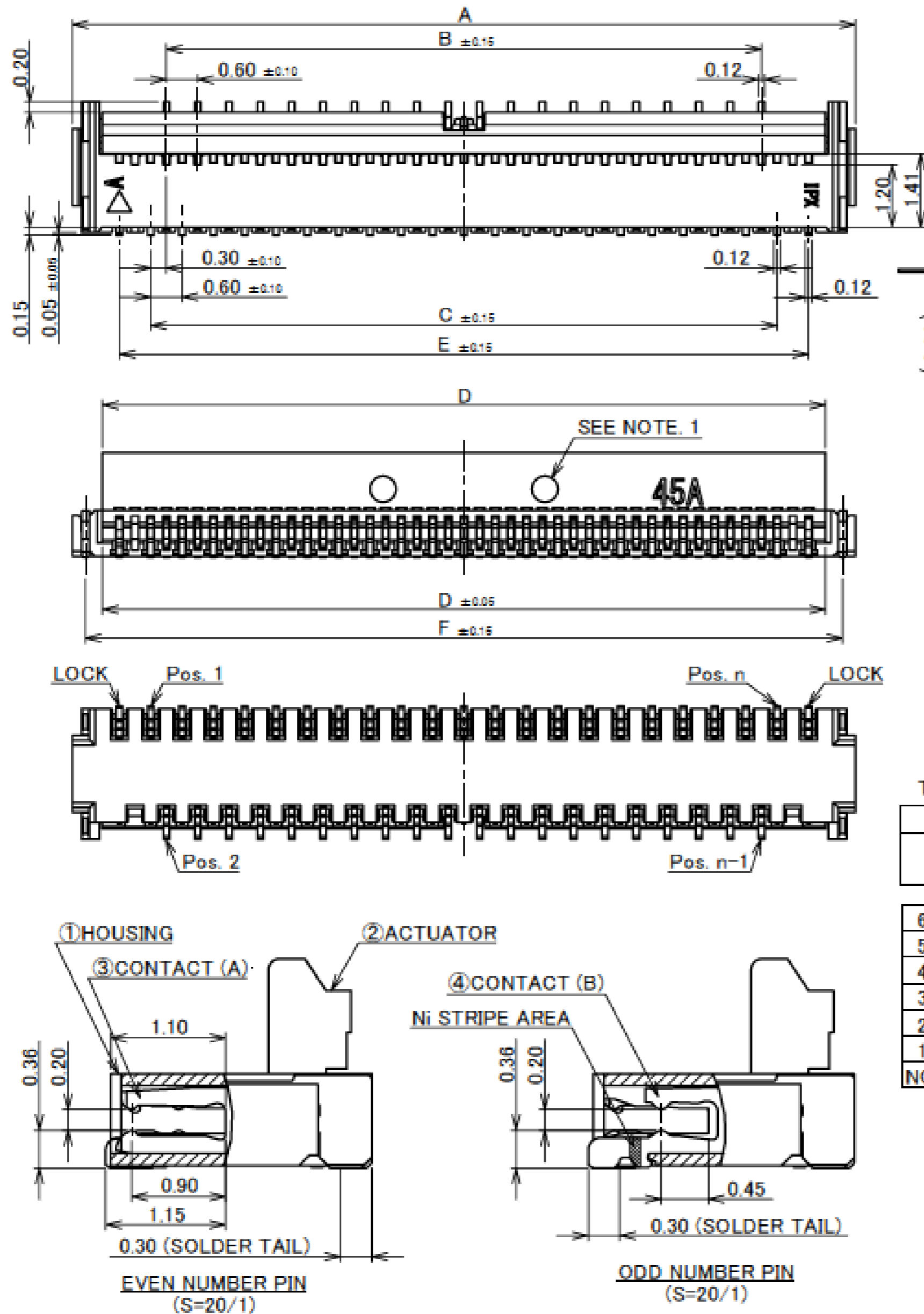
- 커넥터의 삽입력 상승
- 커넥터의 고정력은 큰 변화 없음

Component Parts Details

Connector Assembly

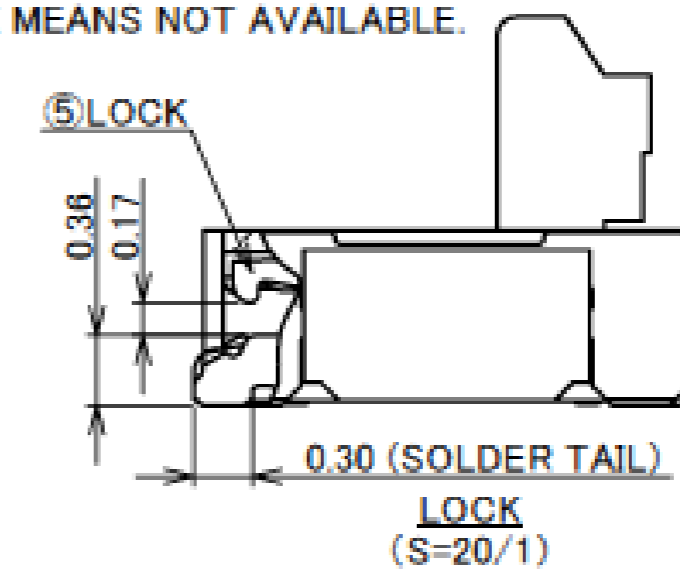
Recommended P/N 20655-0**E-01

ODD NUMBER POS.



PART NO.	Pos.	A	B	C	D	E	F
20655-011E-01	11P	6.00	2.40	3.00	4.85	4.20	5.50
◆20655-029E-01	29P	11.40	7.80	8.40	10.25	9.60	10.90
◆20655-031E-01	31P	12.00	8.40	9.00	10.85	10.20	11.50
◆20655-035E-01	35P	13.20	9.60	10.20	12.05	11.40	12.70
◆20655-037E-01	37P	13.80	10.20	10.80	12.65	12.00	13.30
◆20655-041E-01	41P	15.00	11.40	12.00	13.85	13.20	14.50
20655-045E-01	45P	16.20	12.60	13.20	15.05	14.40	15.70
◆20655-047E-01	47P	16.80	13.20	13.80	15.65	15.00	16.30
◆20655-051E-01	51P	18.00	14.40	15.00	16.85	16.20	17.50
◆20655-053E-01	53P	18.60	15.00	15.60	17.45	16.80	18.10
◆20655-057E-01	57P	19.80	16.20	16.80	18.65	18.00	19.30

◆ MARK MEANS NOT AVAILABLE.



NOTES:
 1. THIS DENT SHAPE IS PURPOSED FOR GOOD INJECTION QUALITY. THIS DENT SHAPE WILL NOT AFFECT CONNECTR FUNCTION. DENT SHAPE SHOWN ON DRAWING IS JUST FOR REFERENCE. DENT SHAPE AND QUANTITY MIGHT CHABGE FROM DIFFERENT PIN COUNT AND DIFFERENT TOOLING.
 2. CONTACT POINT: TOP AND BOTTOM CONTACT

CAUTION VISIT OUR WEBSITE FOR LATEST VERSIONS OF INSTRUCTION MANUAL NO. HIM-12007 TO HANDLE THE PRODUCT PROPERLY AND SAFELY.

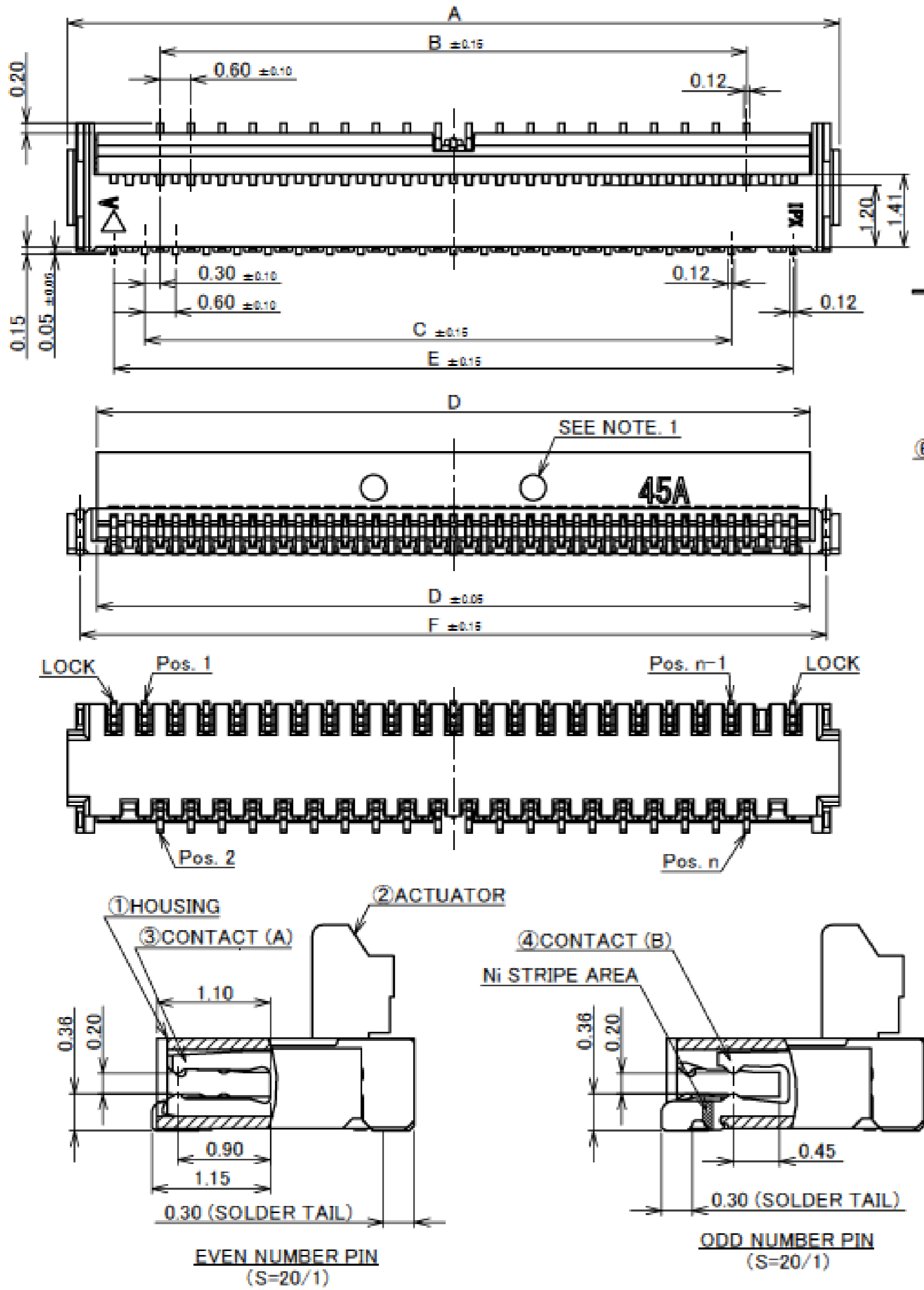
TABLE 1

PART NO.	FINISH		
20655-0**E-01	CONTACT AREA : Au 0.10 μm MIN. OVER Ni 1.00 μm MIN. SOLDERING AREA : Au 0.03 μm MIN. OVER Ni 1.00 μm MIN.		
6	HOLD DOWN	PHOSPHOR BRONZE Sn 2~6 μm OVER Ni 1.00 μm MIN.	
5	LOCK	PHOSPHOR BRONZE SOLDERLING AREA: Au 0.03 μm MIN. OVER Ni 1.00 μm MIN.	
4	CONTACT (B)	PHOSPHOR BRONZE SEE TABLE 1, WITH Ni STRIPE	
3	CONTACT (A)	PHOSPHOR BRONZE SEE TABLE 1	
2	ACTUATOR	LCP UL94V-0, BEIGE	
1	HOUSNIG	LCP UL94V-0, BEIGE	
NO	DISCRPTION	MATERIAL	FINISH, REMARKS

Connector Assembly

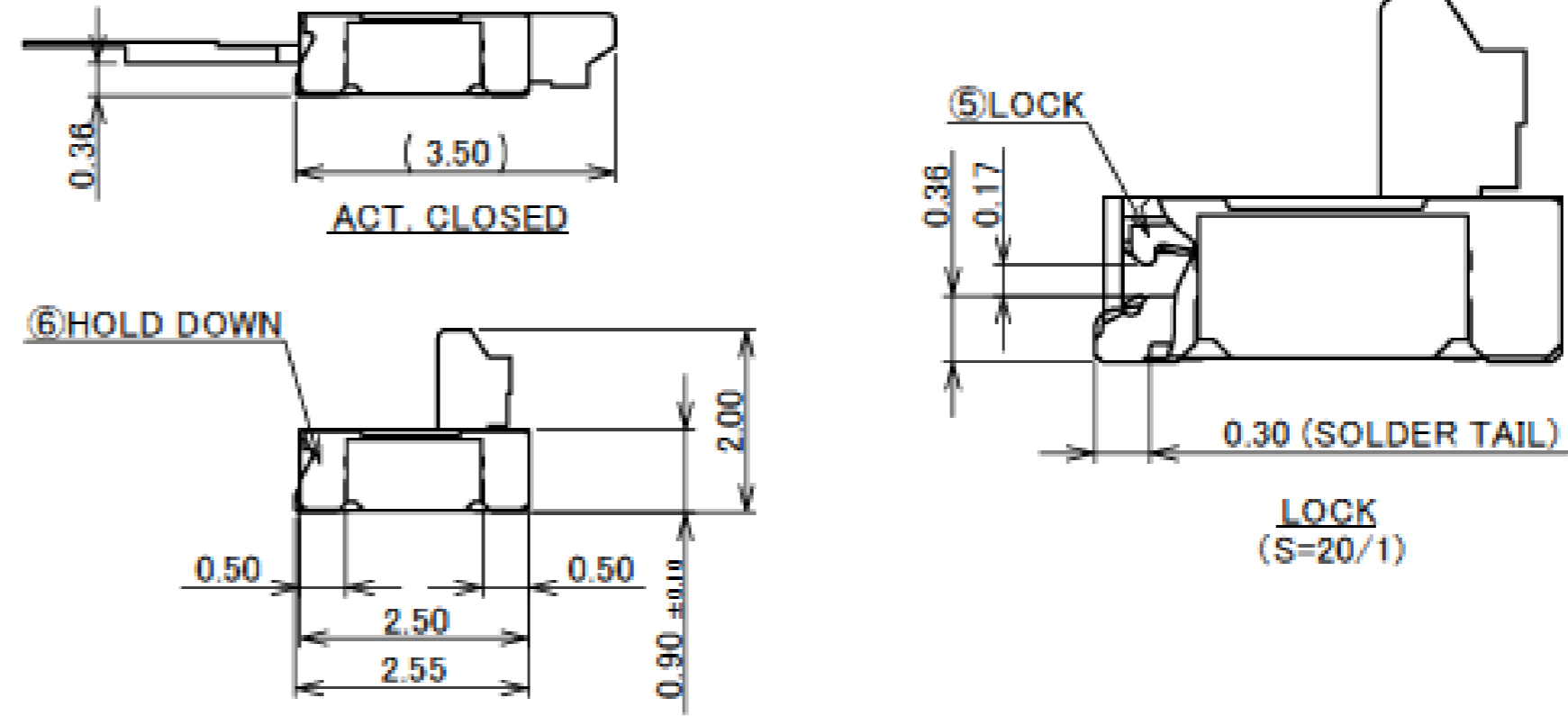
Recommended P/N 20655-0**E-01

EVEN NUMBER POS.



PART NO.	Pos.	A	B	C	D	E	F
◆20655-030E-01	30P	12.00	8.40	8.40	10.85	10.20	11.50
◆20655-040E-01	40P	15.00	11.40	11.40	13.85	13.20	14.50
◆20655-050E-01	50P	18.00	14.40	14.40	16.85	16.20	17.50

◆MARK MEANS NOT AVAILABLE.

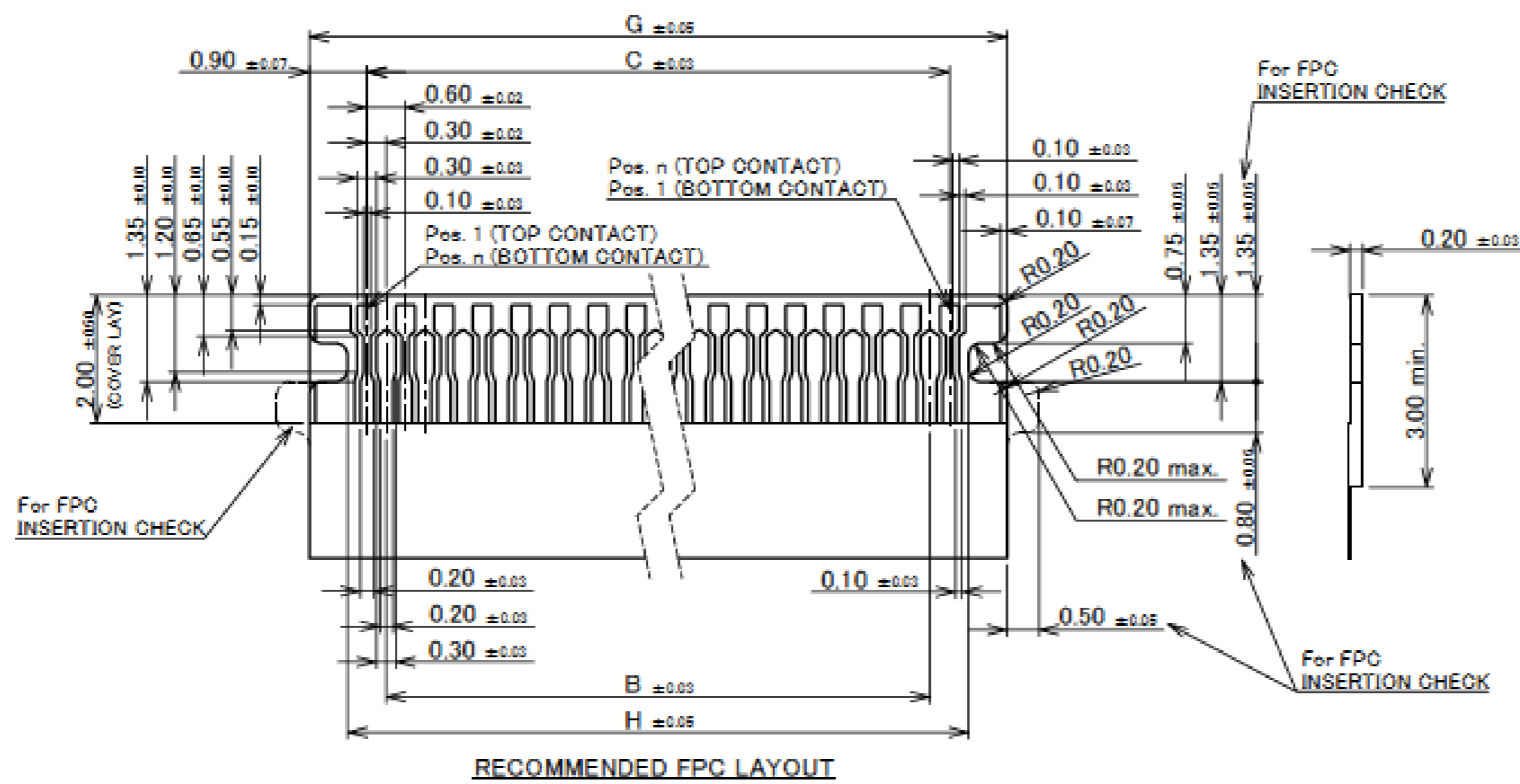


NOTES:
 1. THIS DENT SHAPE IS PURPOSED FOR GOOD INJECTION QUALITY. THIS DENT SHAPE WILL NOT AFFECT CONNECTOR FUNCTION. DENT SHAPE SHOWN ON DRAWING IS JUST FOR REFERENCE. DENT SHAPE AND QUANTITY MIGHT CHANGE FROM DIFFERENT PIN COUNT AND DIFFERENT TOOLING.
 2. CONTACT POINT: TOP AND BOTTOM CONTACT

CAUTION VISIT OUR WEBSITE FOR LATEST VERSIONS OF INSTRUCTION MANUAL NO. HIM-12007 TO HANDLE THE PRODUCT PROPERLY AND SAFELY.

Rev.9

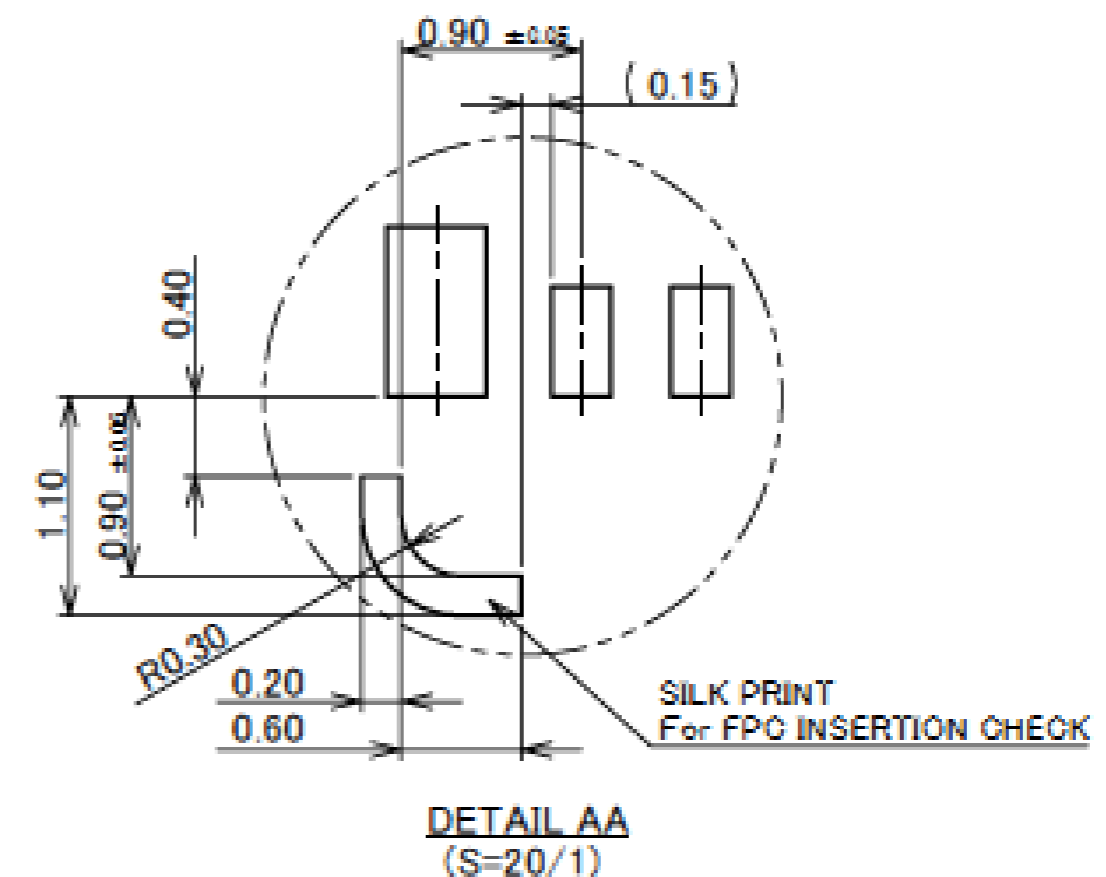
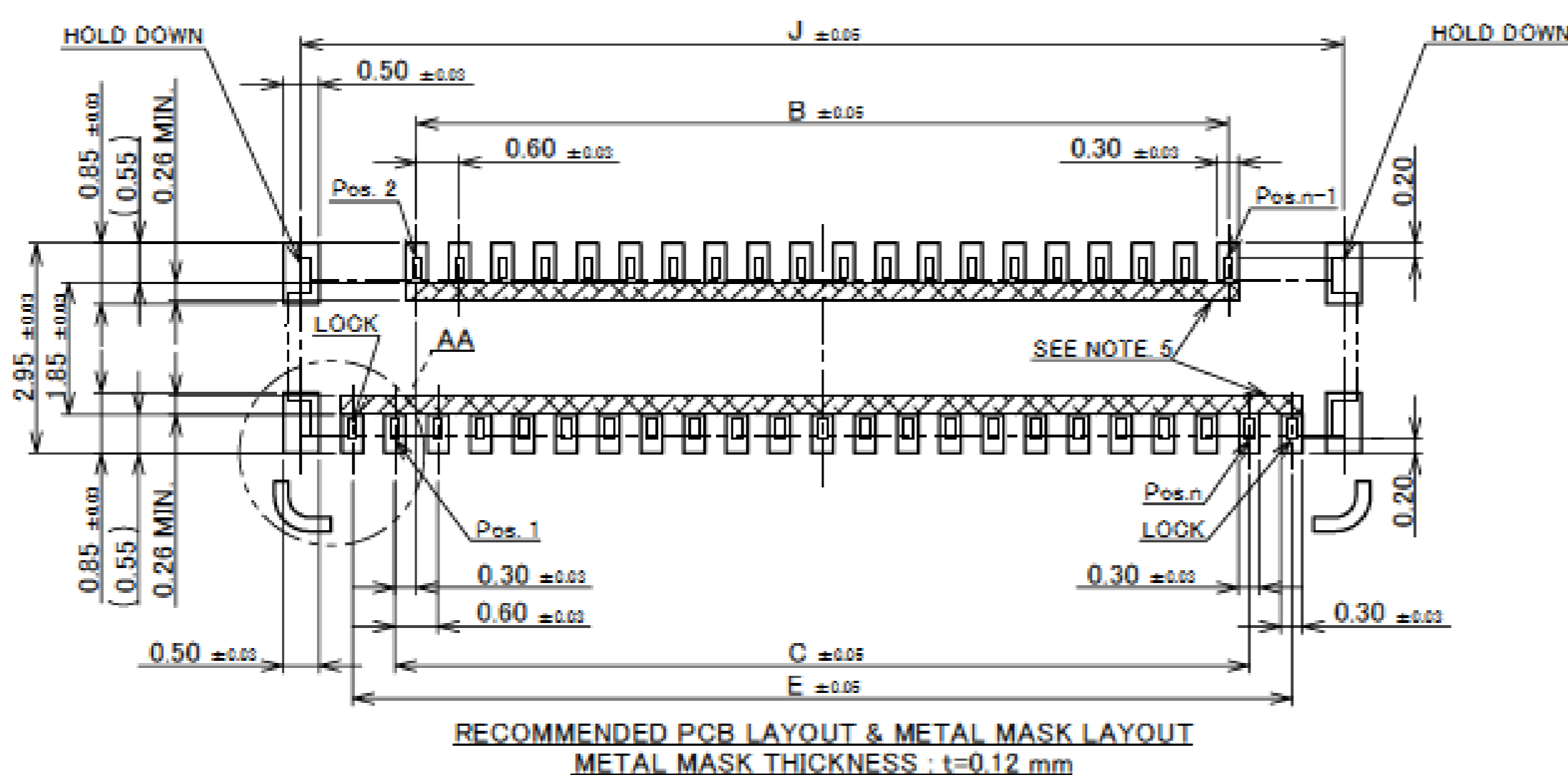
ODD NUMBER POS.



PART NO.	Pos.	B	C	E	G	H	J
20655-011E-01	11P	2.40	3.00	4.20	4.80	3.60	5.65
◆20655-029E-01	29P	7.80	8.40	9.60	10.20	9.00	11.05
◆20655-031E-01	31P	8.40	9.00	10.20	10.80	9.60	11.65
◆20655-035E-01	35P	9.60	10.20	11.40	12.00	10.80	12.85
◆20655-037E-01	37P	10.20	10.80	12.00	12.60	11.40	13.45
◆20655-041E-01	41P	11.40	12.00	13.20	13.80	12.60	14.65
20655-045E-01	45P	12.60	13.20	14.40	15.00	13.80	15.85
◆20655-047E-01	47P	13.20	13.80	15.00	15.60	14.40	16.45
◆20655-051E-01	51P	14.40	15.00	16.20	16.80	15.60	17.65
◆20655-053E-01	53P	15.00	15.60	16.80	17.40	16.20	18.25
◆20655-057E-01	57P	16.20	16.80	18.00	18.60	17.40	19.45

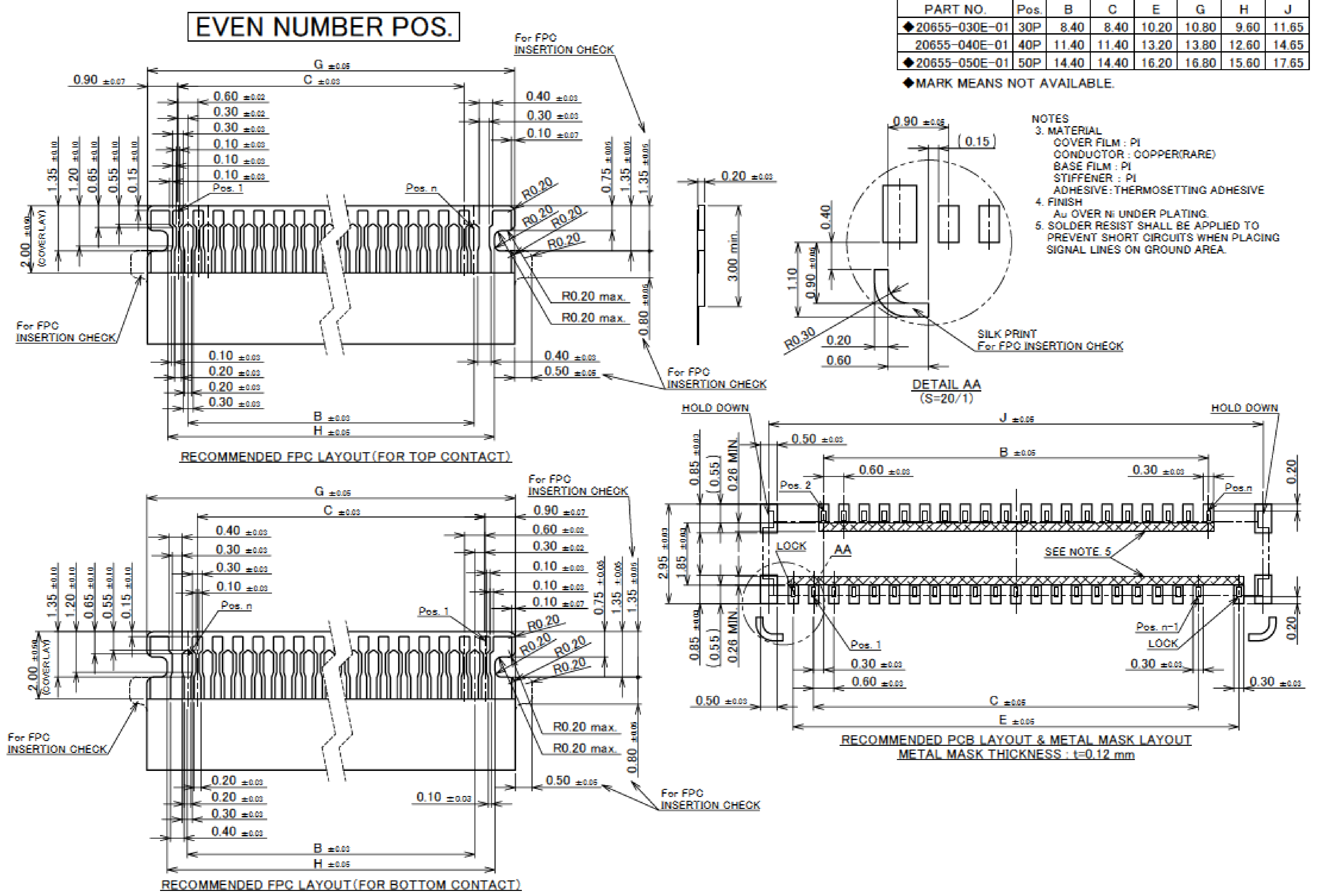
◆MARK MEANS NOT AVAILABLE.

NOTES:
 3. MATERIAL
 COVER FILM : PI
 CONDUCTOR : COPPER(RARE)
 BASE FILM : PI
 STIFFENER : PI
 ADHESIVE : THERMOSETTING ADHESIVE
 4. FINISH
 Au OVER Ni UNDER PLATING.
 5. SOLDER RESIST SHALL BE APPLIED TO PREVENT SHORT CIRCUITS WHEN PLACING SIGNAL LINES ON GROUND AREA.

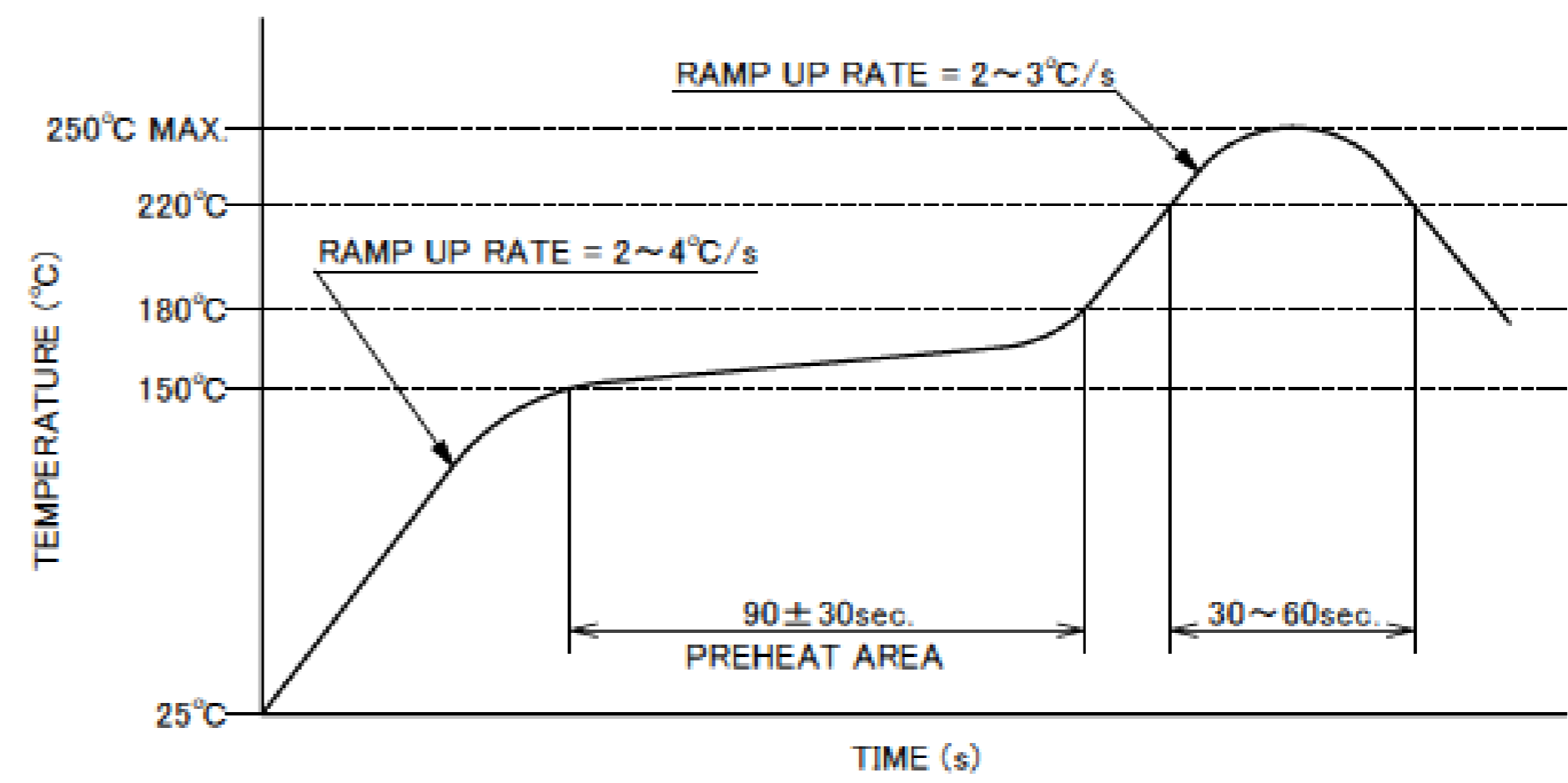
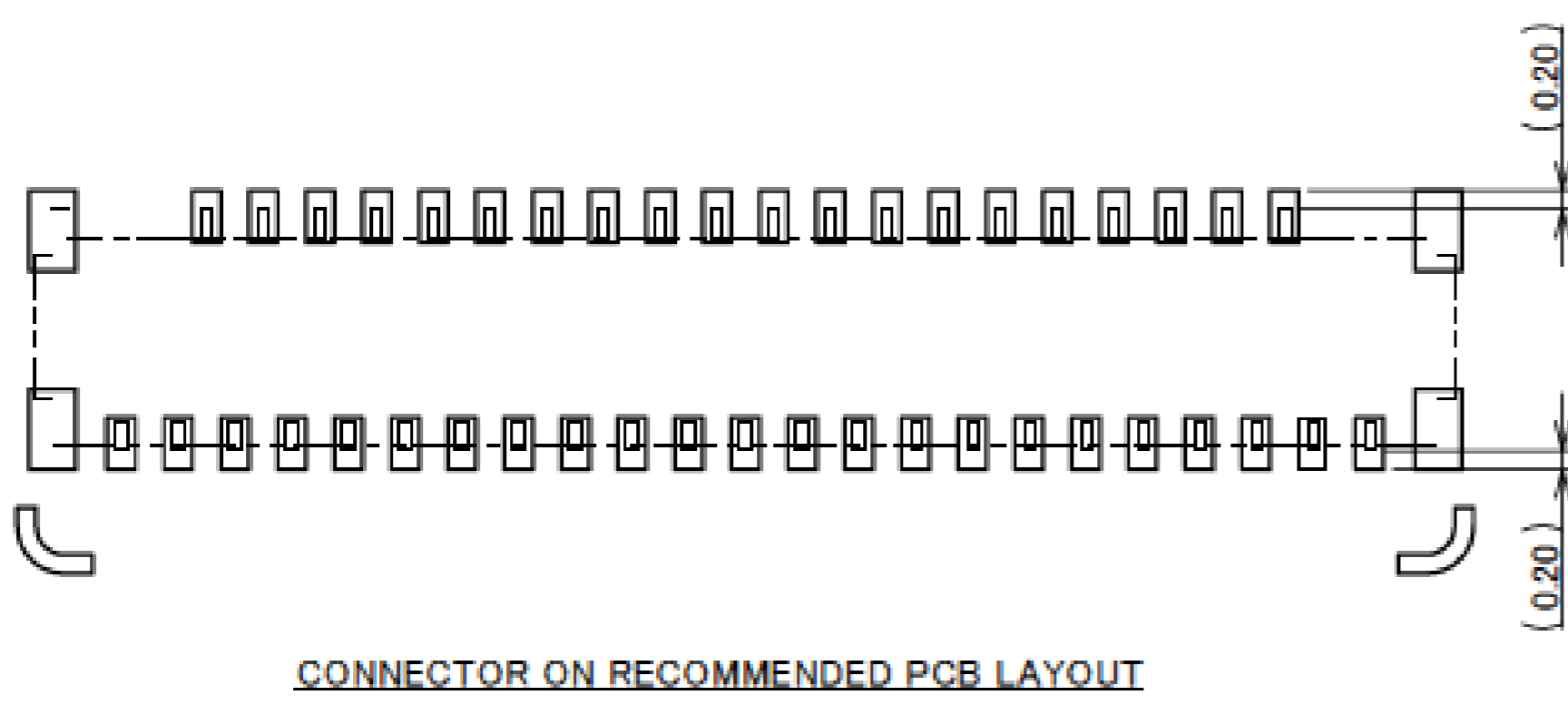


Rev.9

Connector Assembly



Rev.9



Rev.9

Connector Assembly

ITEMS	SPECIFICATION
RATING VOLTAGE	50V AC/DC (PER CONTACT)
RATING AMPERAGE	0.3A DC (PER CONTACT)
OPERATING TEMPERATURE	233~358K(-40°C~85°C)
OPERATING HUMIDITY	20~80%RH (NON-CONDENSING)
CONTACT RESISTANCE	INITIAL : 60mohm MAX. / AFTER TEST : \triangleleft 40mohm MAX.
INSULATION RESISTANCE	100Mohm MIN.
DIELECTRIC WITHSTANDING VOLTAGE	AC250V 1min
DURABILITY	20 CYCLES
ACTUATOR LOCKING FORCE (INITIAL / 20TH CYCLES)	INITIAL / 20 CYCLES 0.21N (21gf) \times (n + 2) MAX.
ACTUATOR UNLOCKING FORCE (INITIAL / 20TH CYCLES)	INITIAL / 20 CYCLES 0.014N (1.4gf) \times (n + 2) MIN.
FPC RETENTION FORCE (INITIAL / AFTER TEST)	INITIAL: 0.13N (13gf) \times n + 1.0N MIN. / AFTER TEST: 0.10N (10gf) \times n + 1.0N MIN.
COPLANARITY	0.10 MAX.
PRODUCT SPECIFICATION	PRS-2077
TEST REPORT	TR-15027
PACKING STANDARD	PST-15018
INSTRUCTION MANUAL	HIM-12007
APPEARANCE CRITERIA No.	QLS-A***

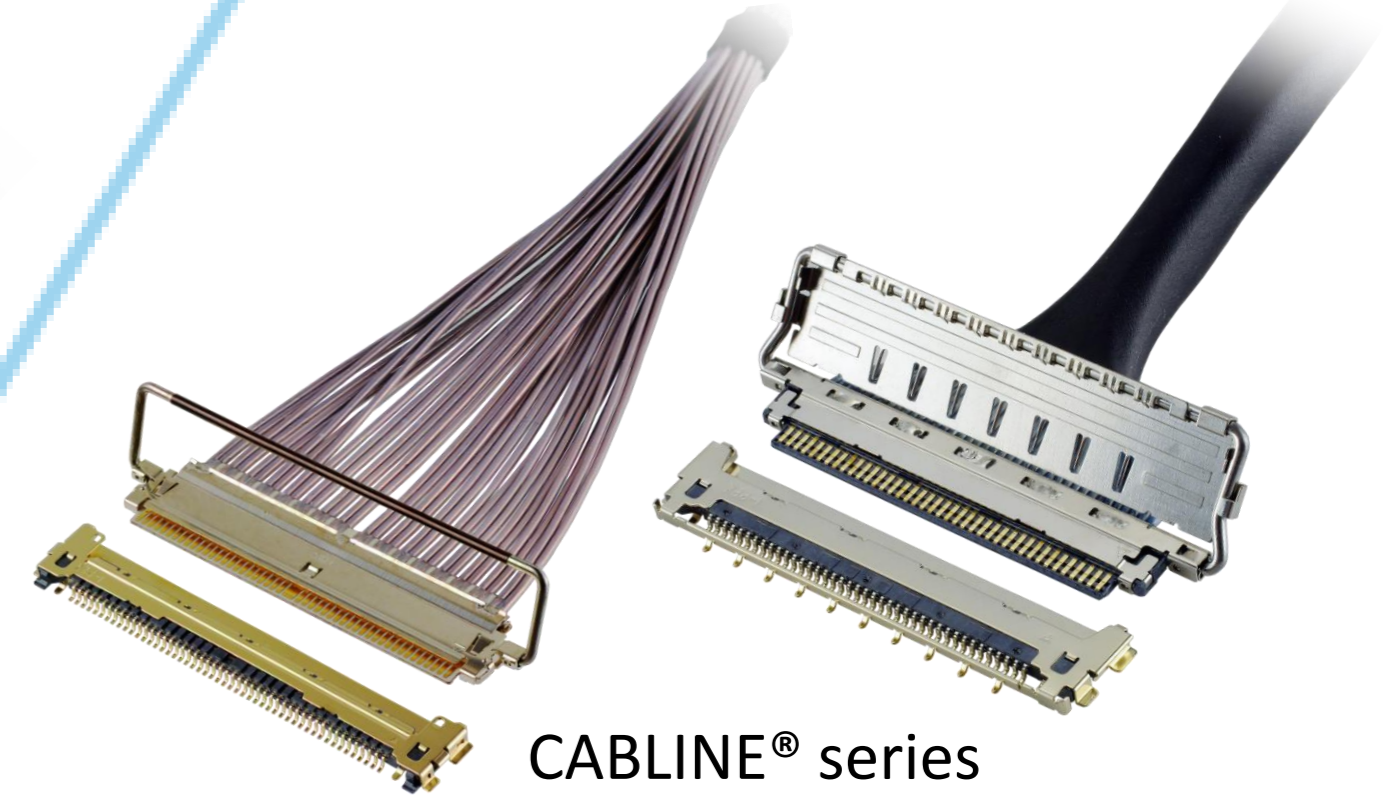
※ "n" IS THE NUMBER OF PIN

Rev.9

Custom Connectors Available

 RF Connectors

MHF® series



CABLIN® series

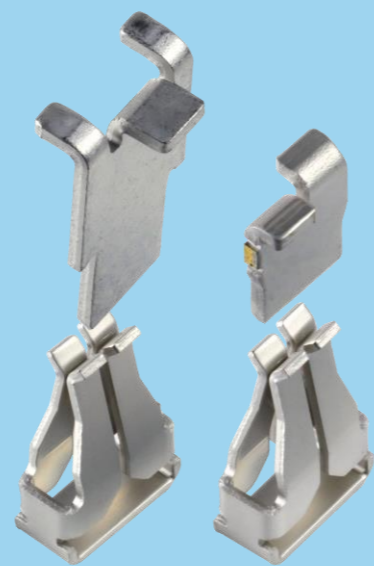


Micro-coaxial/Twinax Connectors

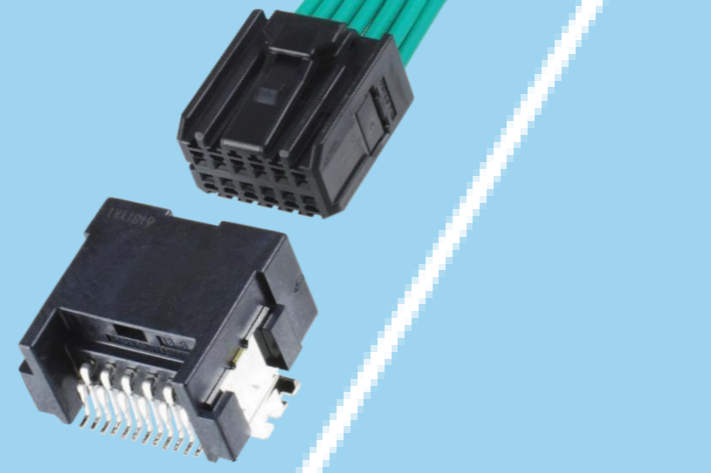


Wire-to-Board Connectors/Terminals

AP series



ISH® series



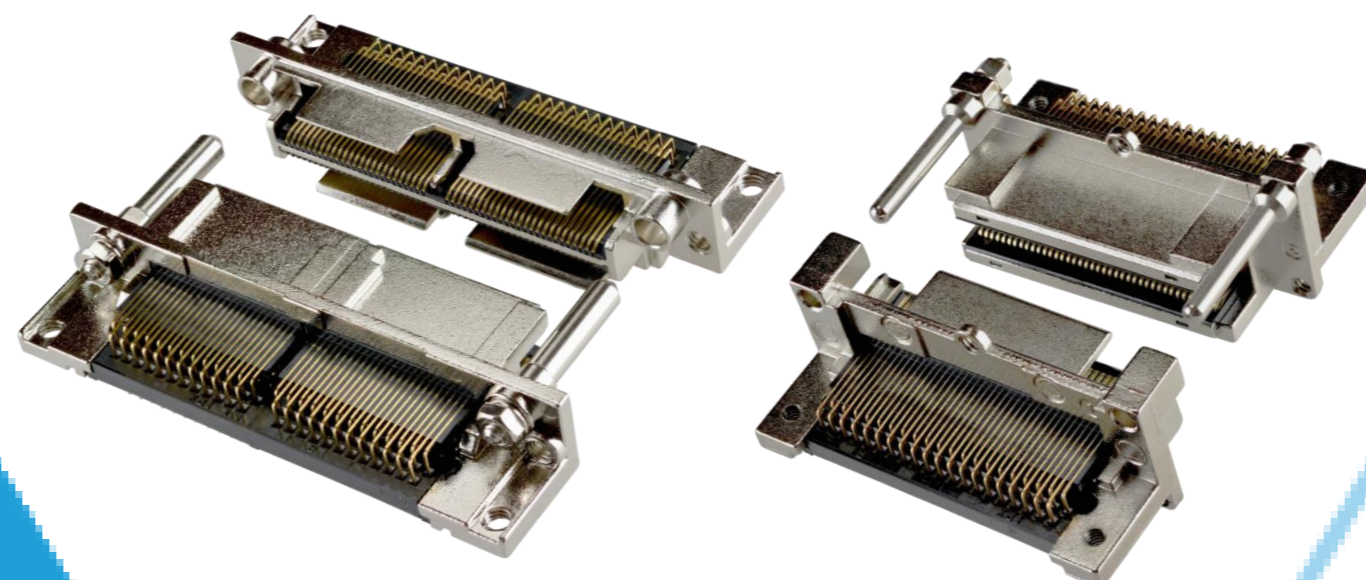
NOVASTACK® series



Board-to-Board Connectors



I/O Connectors



MINIDOCK™ series

MINIFLEX® series

EVAFLEX® series



FPC/FFC Connectors



Inquiry



I-PEX, MHF, CABLINE, NOVASTACK, ISH, IARPB, MINIFLEX, EVAFLEX, MINIDOCK and ZenShield are registered trademarks of I-PEX Inc. Please note that the contents in the catalog might be changed without prior notification. I-PEX Inc. assumes no responsibility for any inaccuracies or obligation to update information on these documents. Please be sure to read and understand the latest "Precautions for Use" and "Instruction Manual" before you use our products. We shall not be responsible for any defects, damages or troubles in case you use our products without following the precautions for use. Please feel free to contact our sales representatives when you use our products for any applications that require very high reliability and safety, or that relate to human life (ex. nuclear power control, aerospace, transportation, medical equipment, safety equipment etc.).

Contact your sales representative or more detailed information.

www.i-pex.com



I-PEX

© I-PEX Inc. 2025
All rights reserved