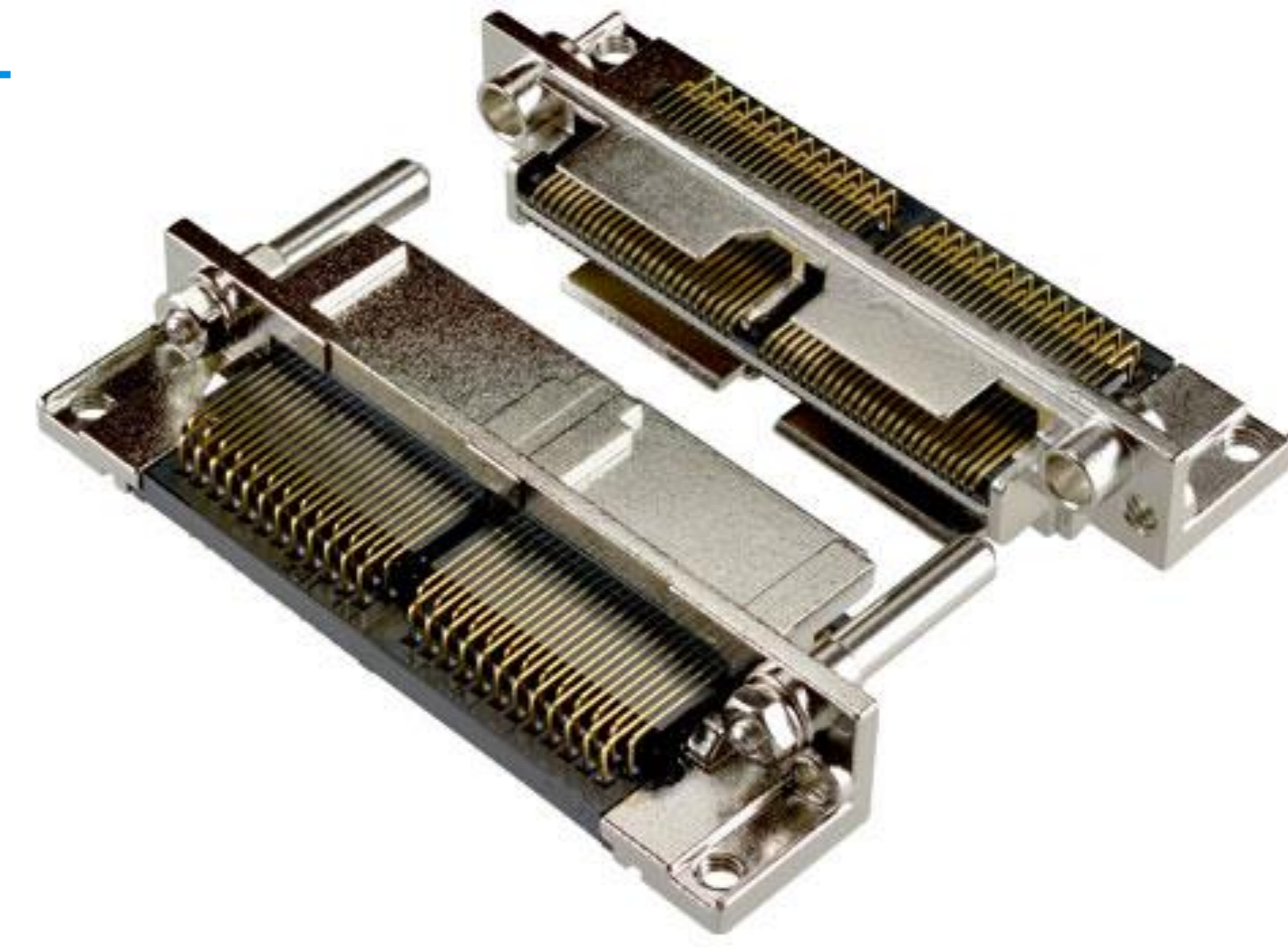


# MINIDOCK™ STANDARD

穩固的高pin數 Docking I/O連接器



## Product Specifications:

Board Pitch		0.635 mm
Size	Height	9.9 ~ 16.9 mm (Plug) 11.13 ~ 22.53 mm (Receptacle)
	Width	36.0 ~ 96.10 mm (Plug/Receptacle)
	Depth	9.9 ~ 17.8 mm (Plug) 11.13 ~ 22.53 mm (Receptacle)
Rating	Amperage	0.5 A AC/DC (per Contact Pin)
	Voltage	250 V AC/DC (per Contact Pin)

\*若有規格外 Pin 數需求,請與當地負責業務窗口聯繫。

## 適合於多種應用的穩固型連接器(移動設備、儀器儀錶、醫療器械等)

### 標準型公座

料號	Pin數	嵌合類型	端子類型	外觀
30001	100	直角	全長Pin 標準類型	
30094	200		全長Pin 偏移類型	

### 標準型母座

料號	Pin數	嵌合類型	端子類型
30002	100	直角	
30007	200	垂直	

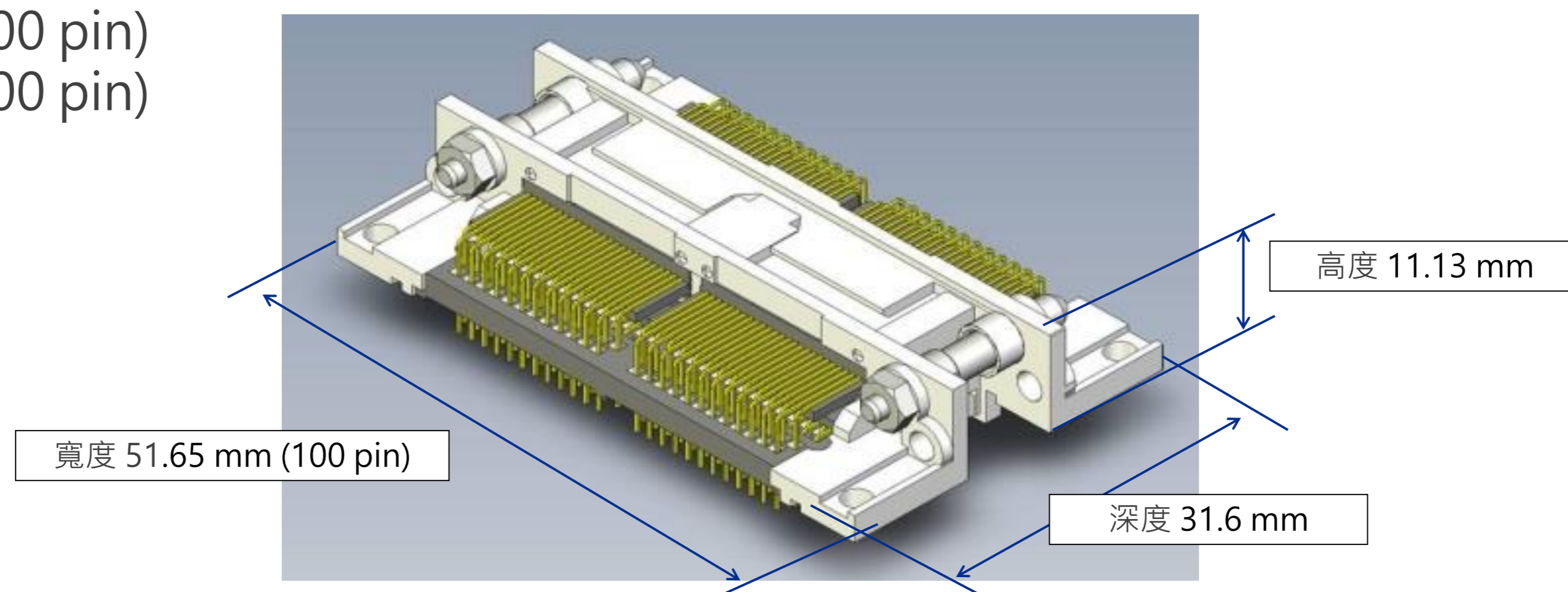
## 高達 5,000 次的插拔壽命

直角公座-直角母座一對

料號

•公座 30001 (100 pin)

•母座 30002 (100 pin)



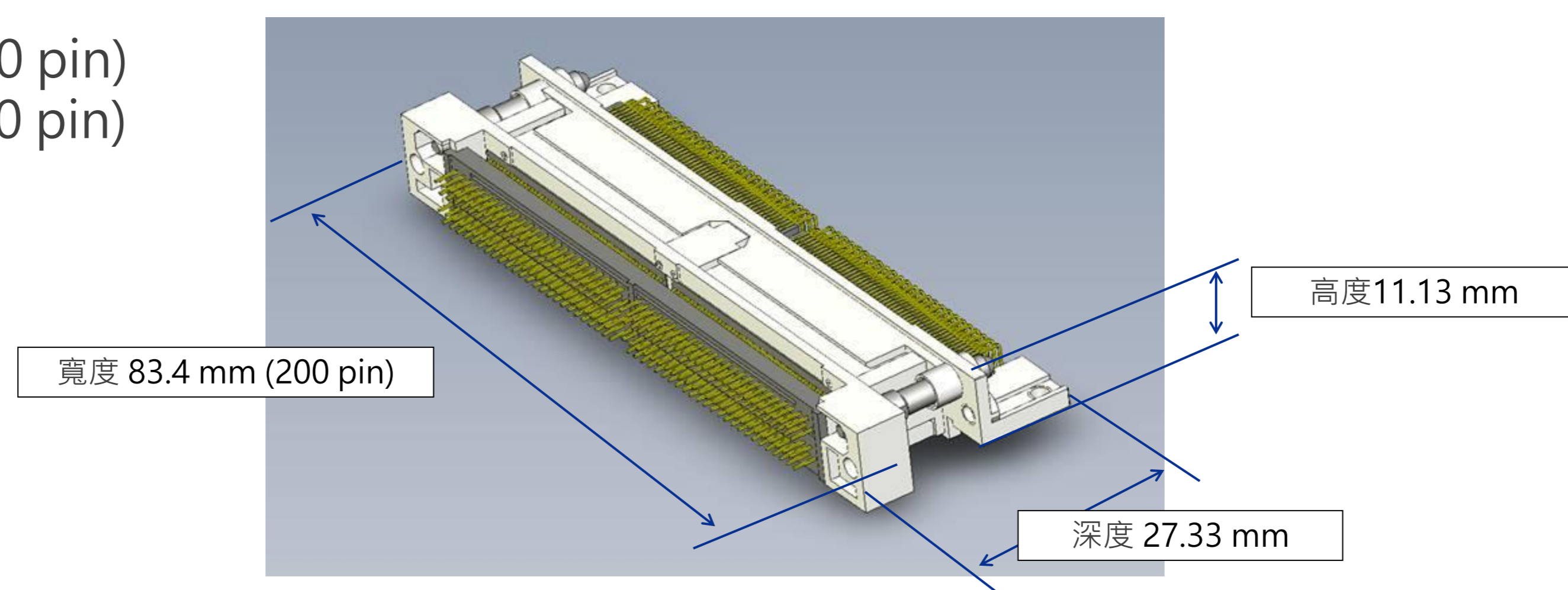
## 可選帶螺絲的款式、具備理想的鎖扣功能

直角公座-直角母座一對

料號

•公座 30094 (200 pin)

•母座 30007 (200 pin)



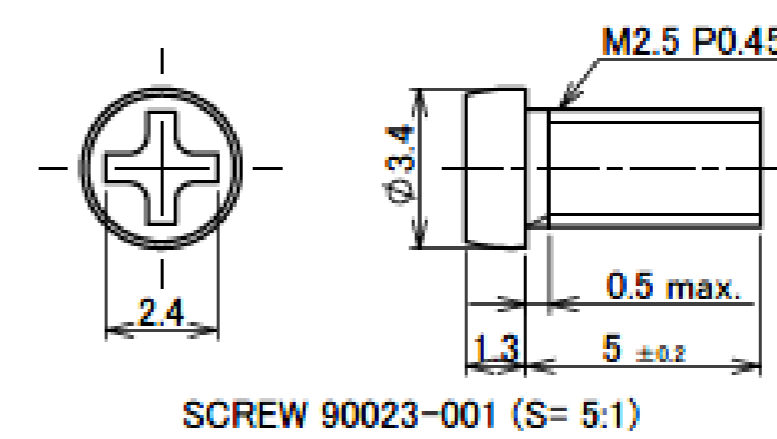
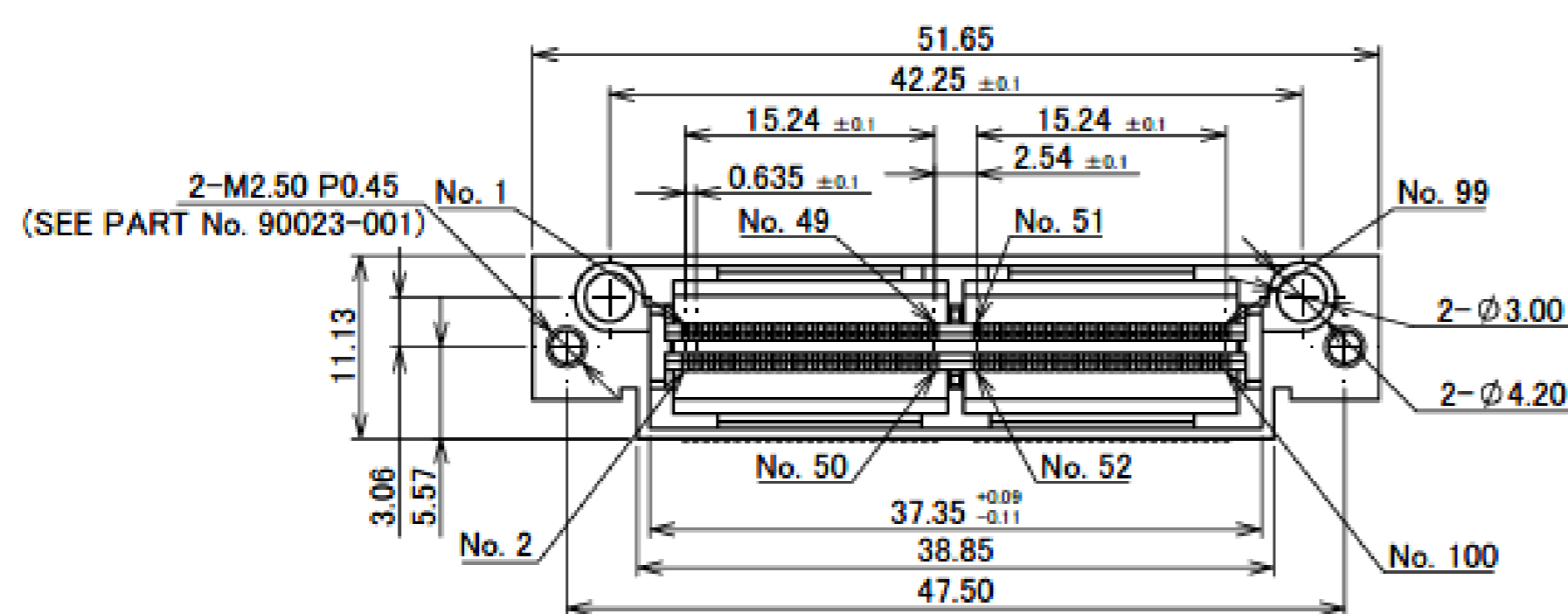
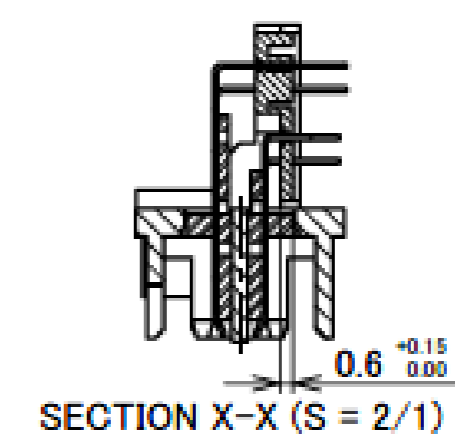
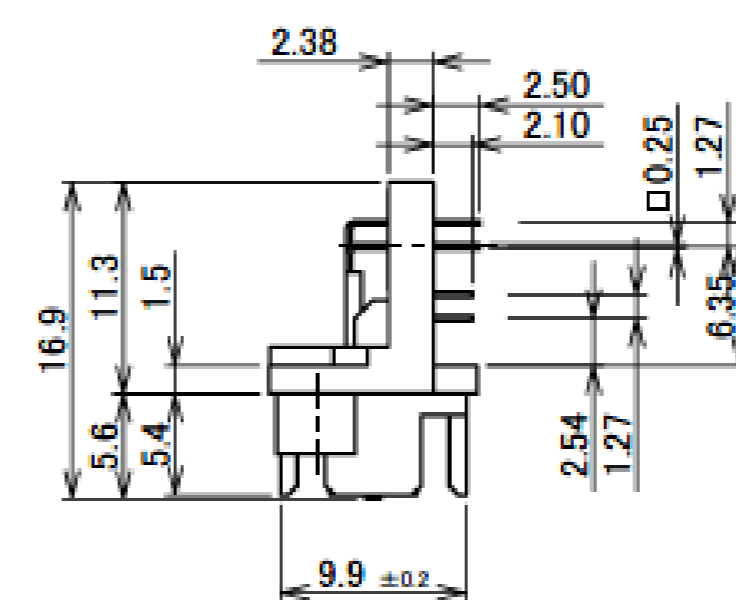
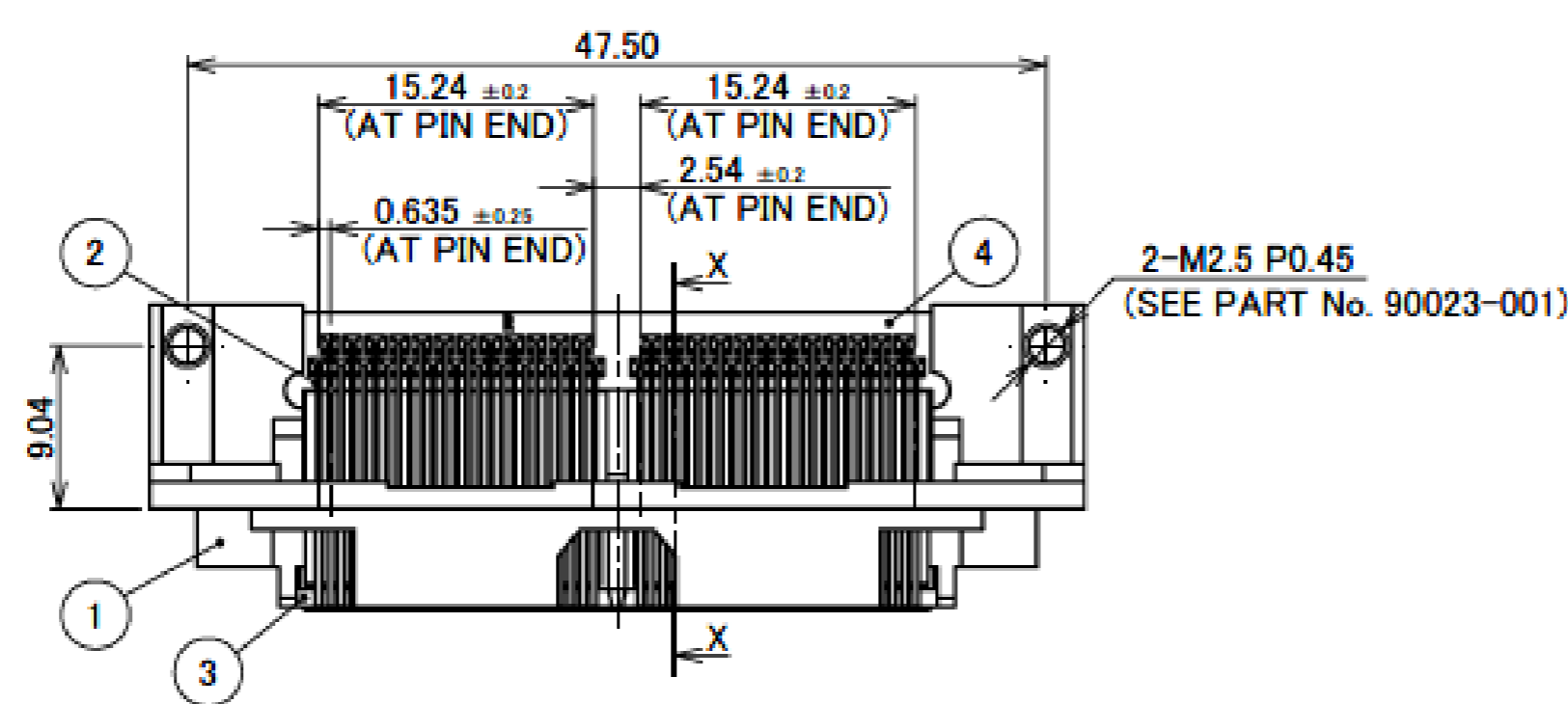
# Component Parts Details

## Plug Assembly

Recommended P/N	30001-100T-F	30001-100T-01F
PART No.	POS.	SCREW
30001-100T-F	100P	WITHOUT SCREW
30001-100T-01F	100P	WITH SCREW



RoHS Compliant



NO.	DISCRIPTION	MATERIAL	FINISH , REMARKS
4	LOCATOR PLATE	PA	BLACK UL94V-0
3	PLUG INSULATOR	PPS	BLACK UL94V-0
2	PLUG CONTACT	COPPER ALLOY	ALL OVER Ni 1.27 μm MIN. CONTACT PART Au 0.05 μm MIN.
1	PLUG SHELL	Zn ALLOY	Ni PLATING

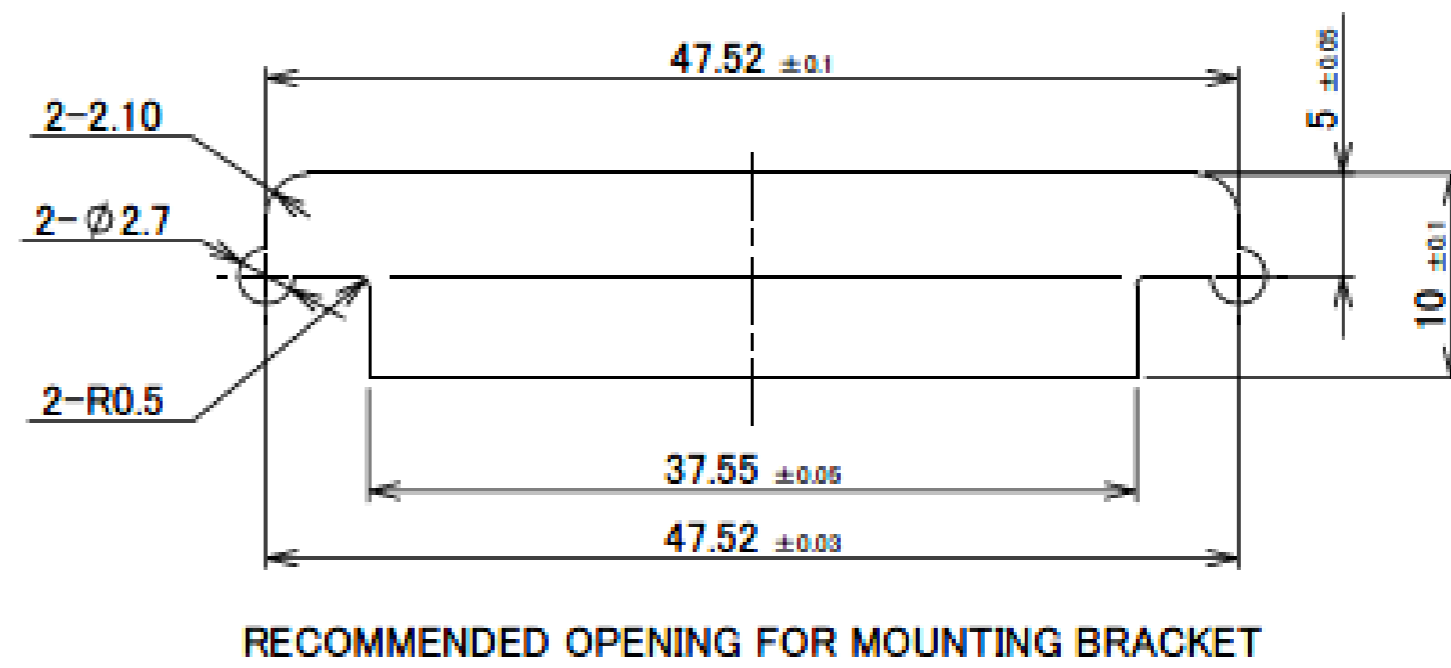
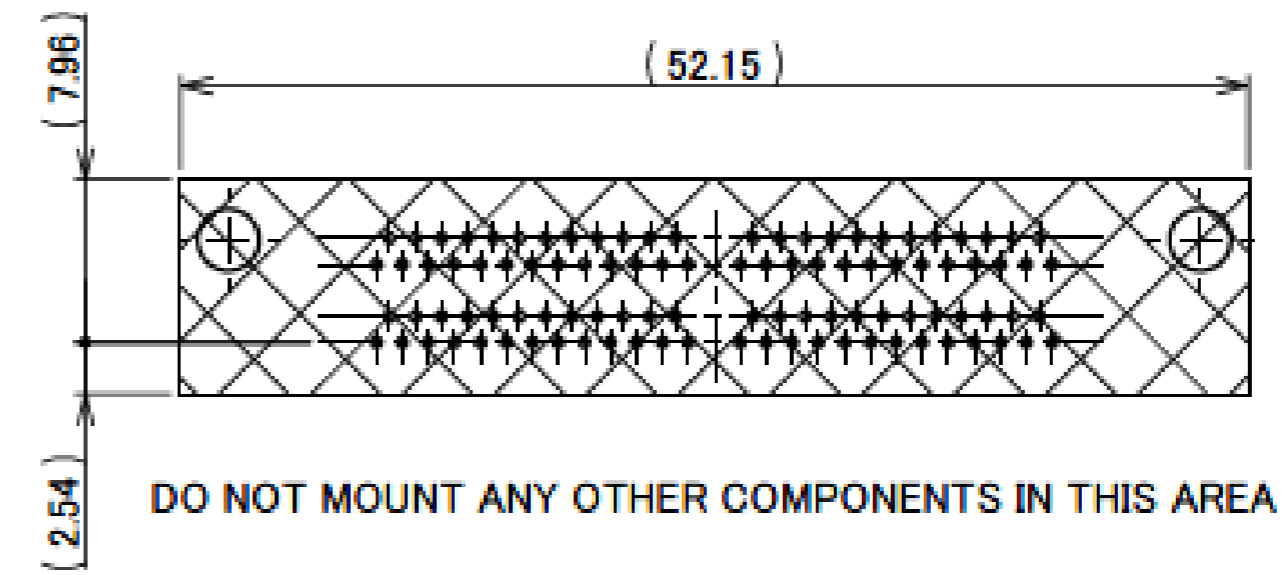
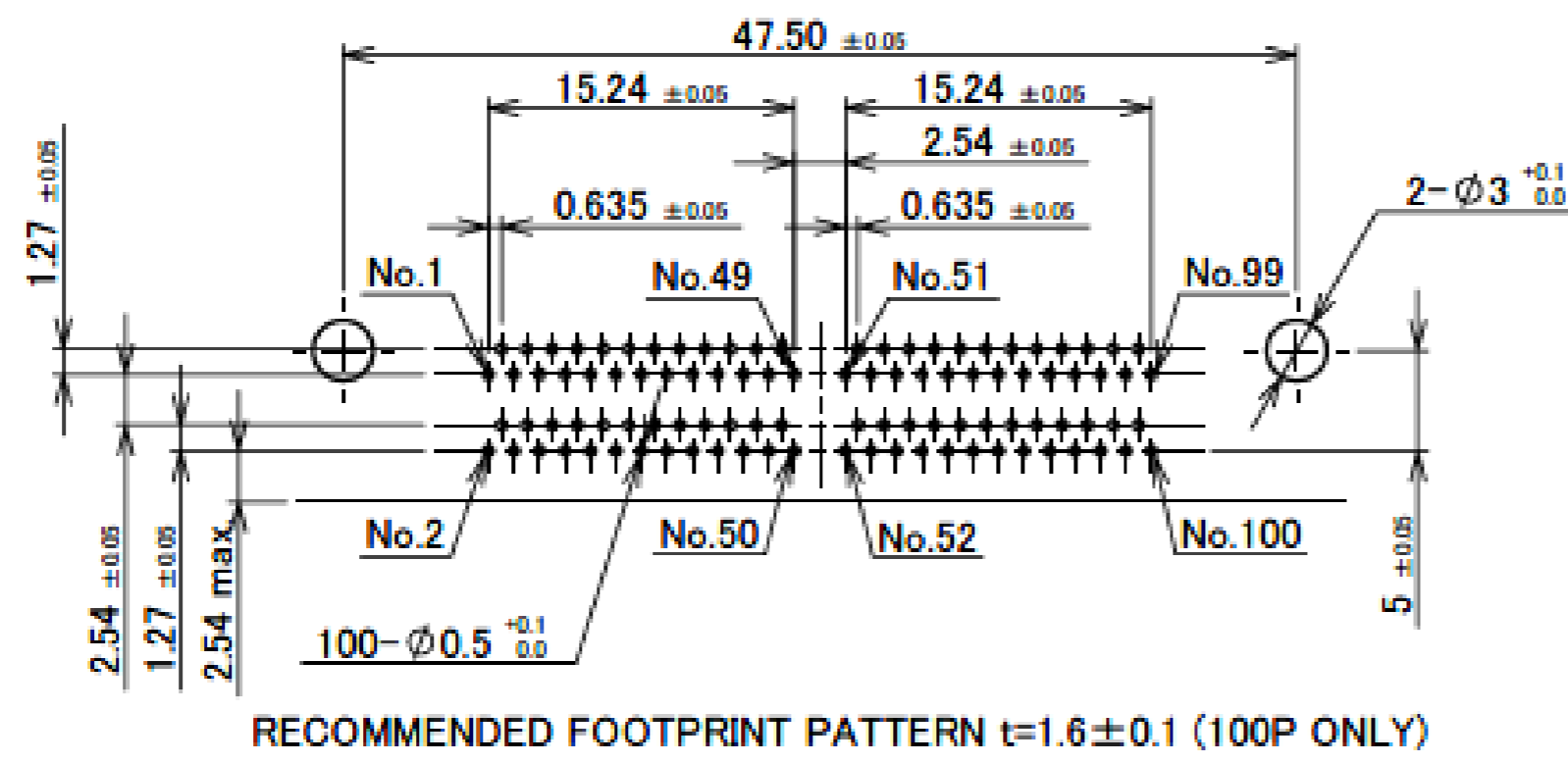
30001-100T-\*\*F  
 NONE: WITHOUT SCREW  
 01: WITH SCREW  
 POS.

NOTES  
 1. CONNECTOR TO BE MATED: 30002, 30007

Rev.38

# Plug Assembly

PART No.	POS.	SCREW
30001-100T-F	100P	WITHOUT SCREW
30001-100T-01F	100P	WITH SCREW



Rev.38

ITEMS	SPECIFICATION
RATING VOLTAGE	250V AC (PER CONTACT PIN)
RATING AMPERAGE (FOR CONTACT)	0.5A AC/DC (PER CONTACT PIN)
OPERATING TEMPERATURE	208~358K(-65°C~+85°C)
OPERATING HUMIDITY	85% MAX.
CONTACT RESISTANCE (FOR CONTACT)	INITIAL : 70mohm MAX. / AFTER TEST : $\triangle$ 25mohm MAX.
INSULATION RESISTANCE	INITIAL : 10,000Mohm MIN. / AFTER TEST : 1,000Mohm MIN.
DIELECTRIC WITHSTANDING VOLTAGE	AC500V 1min
DURABILITY	5,000 CYCLES
MATING FORCE (INITIAL)	0.9N/pos. MAX.
UNMATING FORCE (AFTER TEST)	0.059N/pos. MIN.
COPLANARITY	-
PRODUCT SPECIFICATION	PRS-1011
TEST REPORT	TR-9020
PACKING STANDARD	300-014
INSTRUCTION MANUAL	-
APPEARANCE CRITERIA No.	QLS-A***

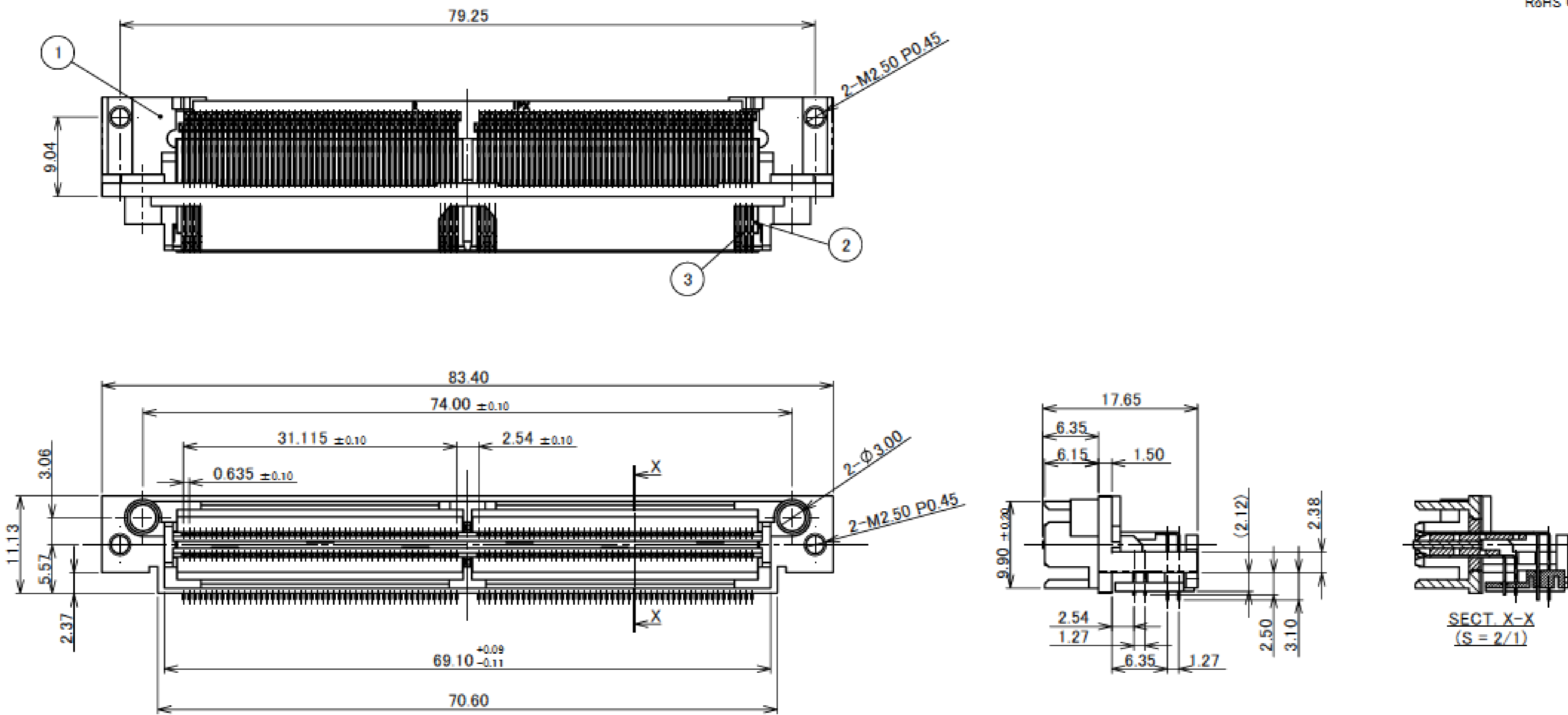
Rev.38

# Plug Assembly

Recommended P/N 30094-200T-01F	
PART No.	SCREW
30094-200T-F	WITH SCREW
30094-200T-01F	WITHOUT SCREW



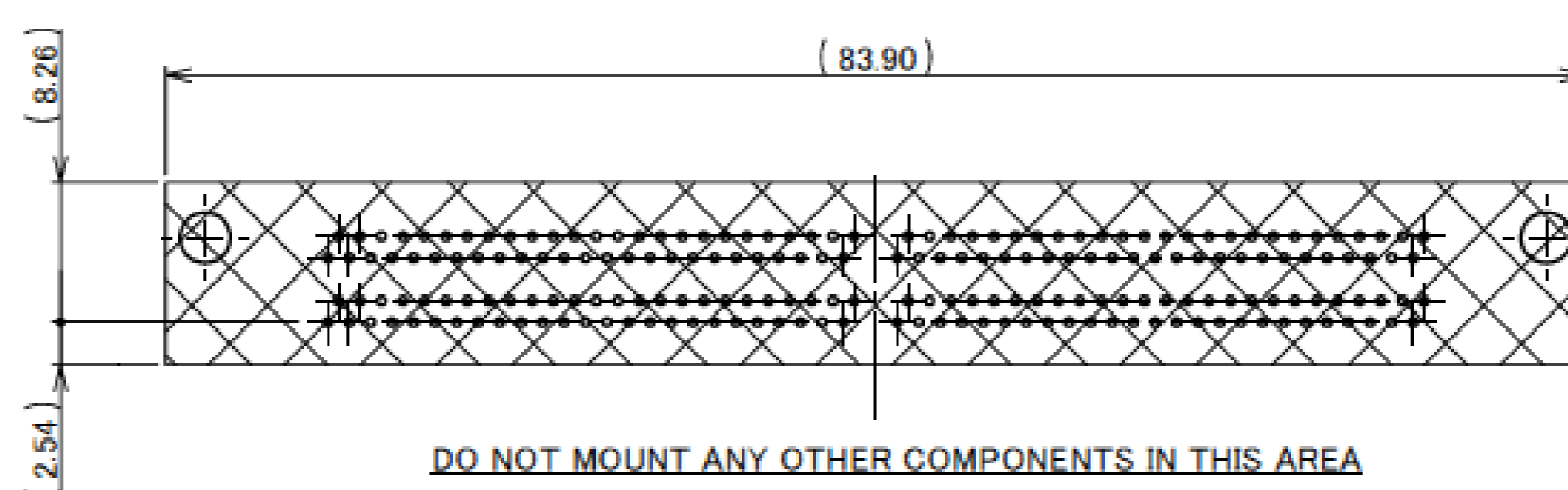
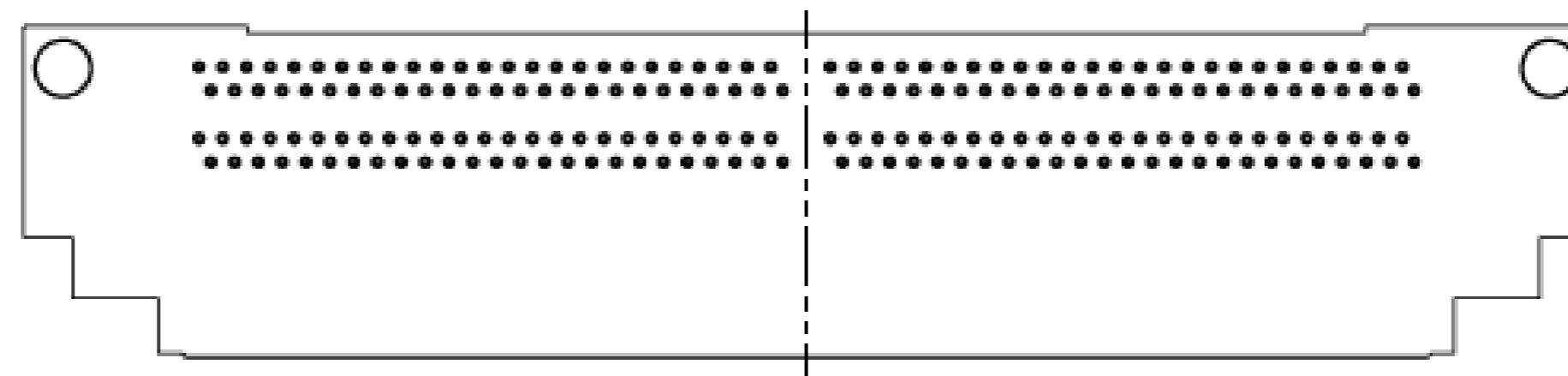
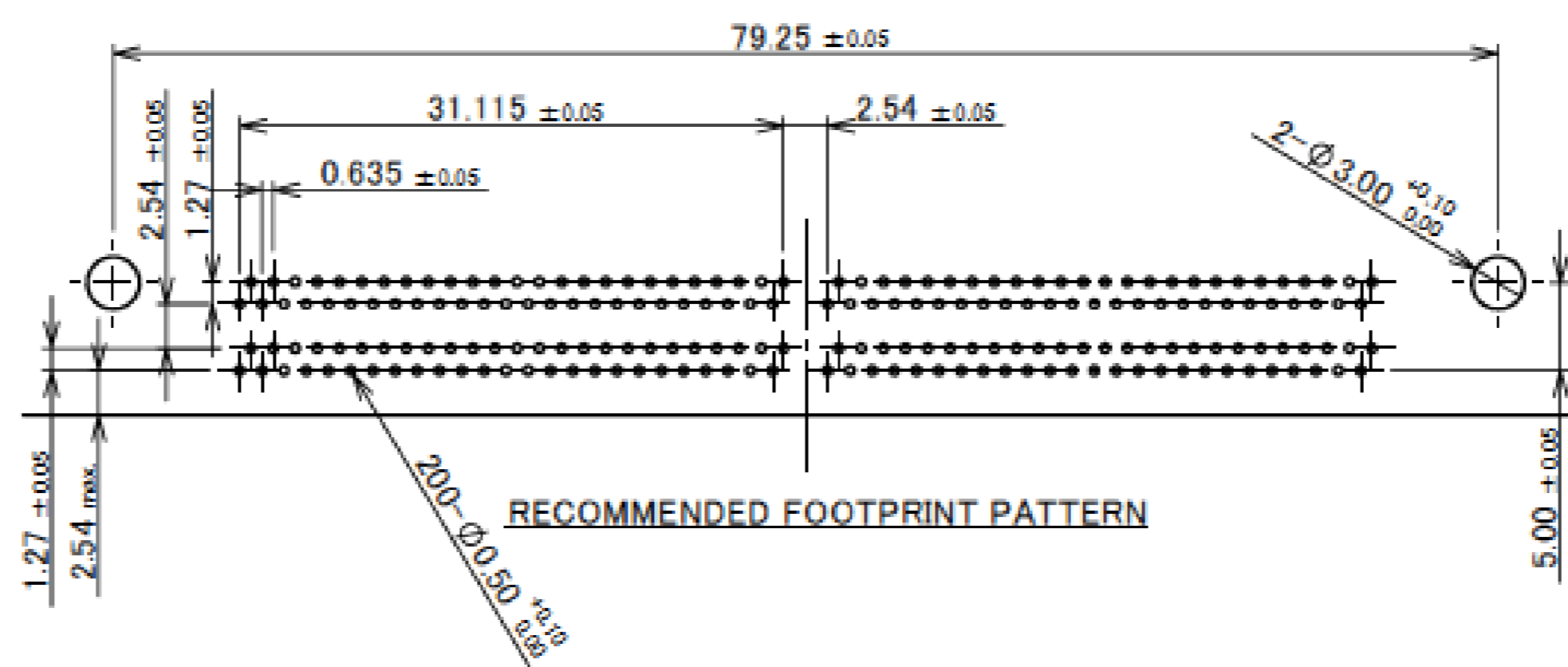
RoHS Compliant



3	CONTACT	COPPER ALLOY	CONTACT AREA : Au FLASH SOLDER AREA : Au FLASH
2	INSULATOR	HEAT RESISTING PLASTICS	BLACK, UL94V-0
1	SHELL	Zn ALLOY	-
NO.	DISCRIPTION	MATERIAL	FINISH , REMARKS

NOTES  
1. CONNECTOR TO BE MATED: 30007-200T-03\*

Rev.8



Rev.8

# Plug Assembly

ITEMS	SPECIFICATION
RATING VOLTAGE	250V AC (PER CONTACT PIN)
RATING AMPERAGE (FOR CONTACT)	0.5A AC/DC (PER CONTACT PIN)
OPERATING TEMPERATURE	208~358K(-65°C~+85°C)
OPERATING HUMIDITY	85% MAX.
CONTACT RESISTANCE (FOR CONTACT)	INITIAL : 70mohm MAX. / AFTER TEST : $\Delta$ 25mohm MAX.
INSULATION RESISTANCE	INITIAL : 10.000Mohm MIN. / AFTER TEST : 1.000Mohm MIN.
DIELECTRIC WITHSTANDING VOLTAGE	AC500V 1min
DURABILITY	5,000 CYCLES
MATING FORCE (INITIAL)	0.9N/pos. MAX.
UNMATING FORCE (AFTER TEST)	0.059N/pos. MIN.
COPLANARITY	-
PRODUCT SPECIFICATION	PRS-1011
TEST REPORT	TR-9020
PACKING STANDARD	300-251
INSTRUCTION MANUAL	-
APPEARANCE CRITERIA No.	QLS-A***

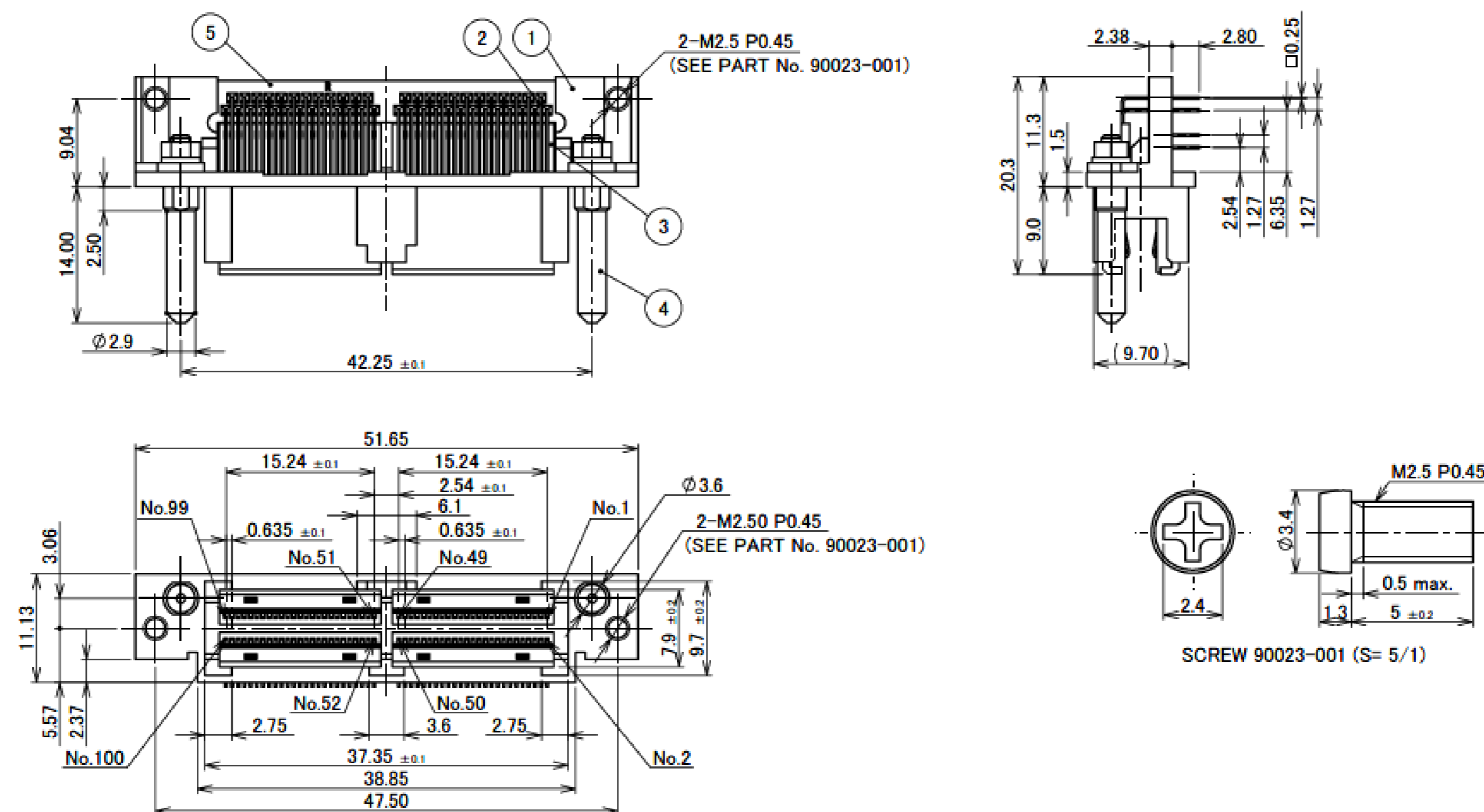
Rev.8

# Receptacle Assembly

Recommended P/N	30002-100T-F	30002-100T-01F
PART No.	POS.	SCREW
30002-100T-F	100P	WITHOUT SCREW
30002-100T-01F	100P	WITH SCREW



RoHS Compliant



No.	DISCRIPTION	MATERIAL	FINISH . REMARKS
5	LOCATOR PLATE	PA	BLACK UL94V-0
4	GUIDE PIN	STEEL	Ni PLATING
3	RECEPTACLE INSULATOR	PPS	BLACK UL94V-0
2	RECEPTACLE CONTACT	COPPER ALLOY	ALL OVER Ni 1.27 $\mu$ m MIN. CONTACT PART Au 0.05 $\mu$ m MIN.
1	RECEPTACLE SHELL	Zn ALLOY	Ni PLATING

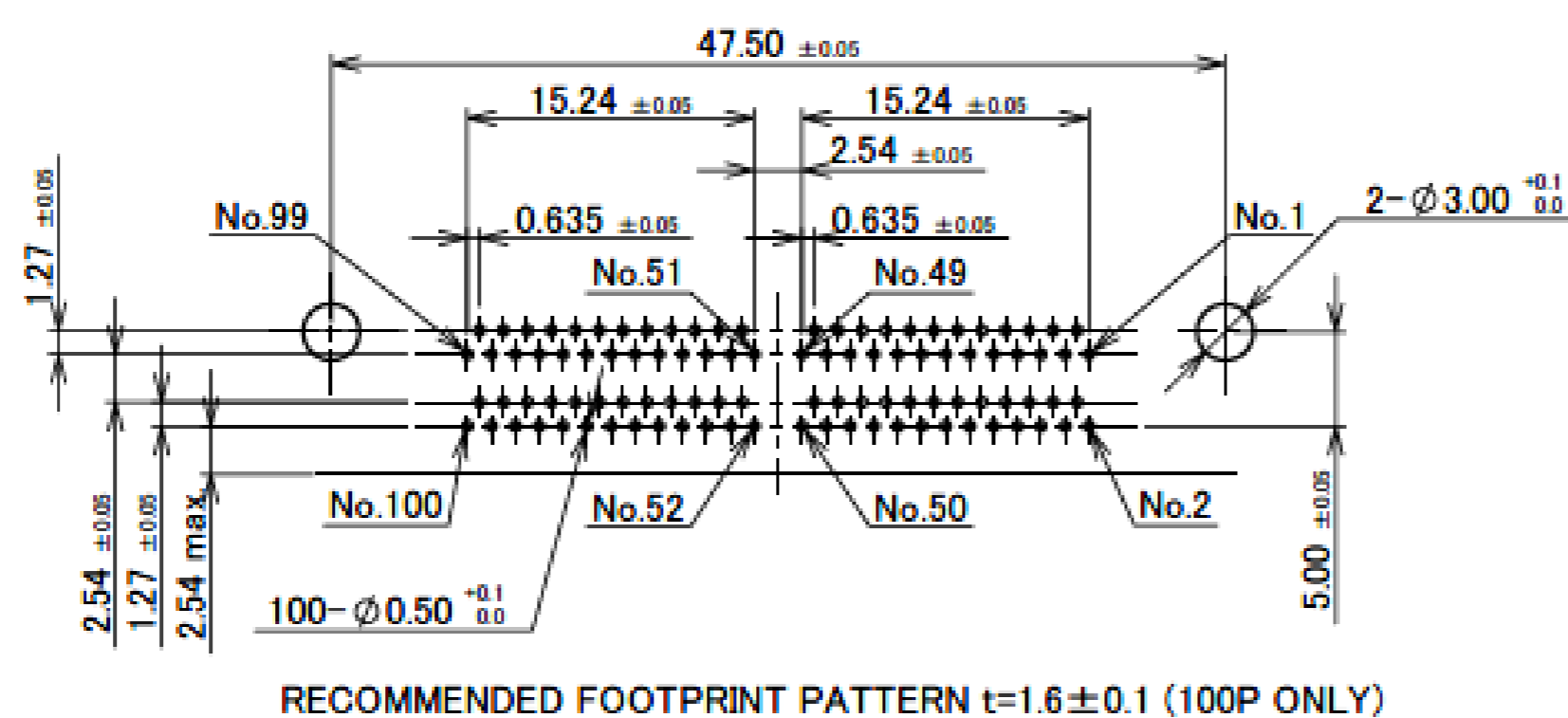
30002-100T-##F  
 NONE: WITHOUT SCREW  
 01: WITH SCREW  
 POS.

NOTE  
 1. CONNECTOR TO BE MATED: 30001, 30005

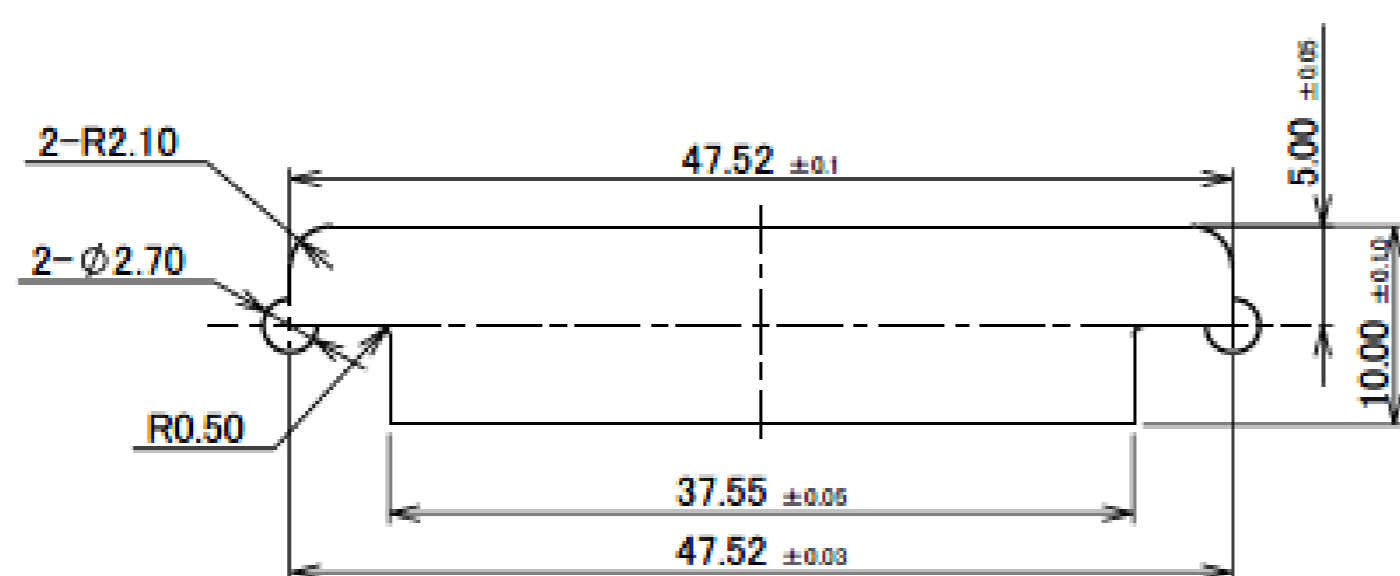
Rev.34

# Receptacle Assembly

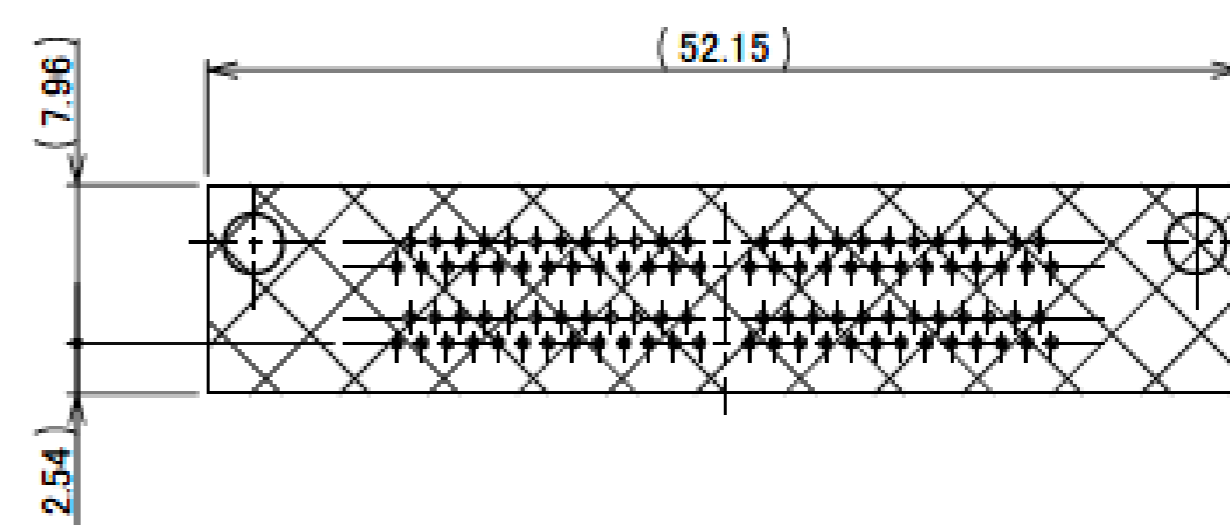
PART No.	POS.	SCREW
30002-100T-F	100P	WITHOUT SCREW
30002-100T-01F	100P	WITH SCREW



RECOMMENDED FOOTPRINT PATTERN  $t=1.6 \pm 0.1$  (100P ONLY)



RECOMMENDED OPENING FOR MOUNTING BRACKET



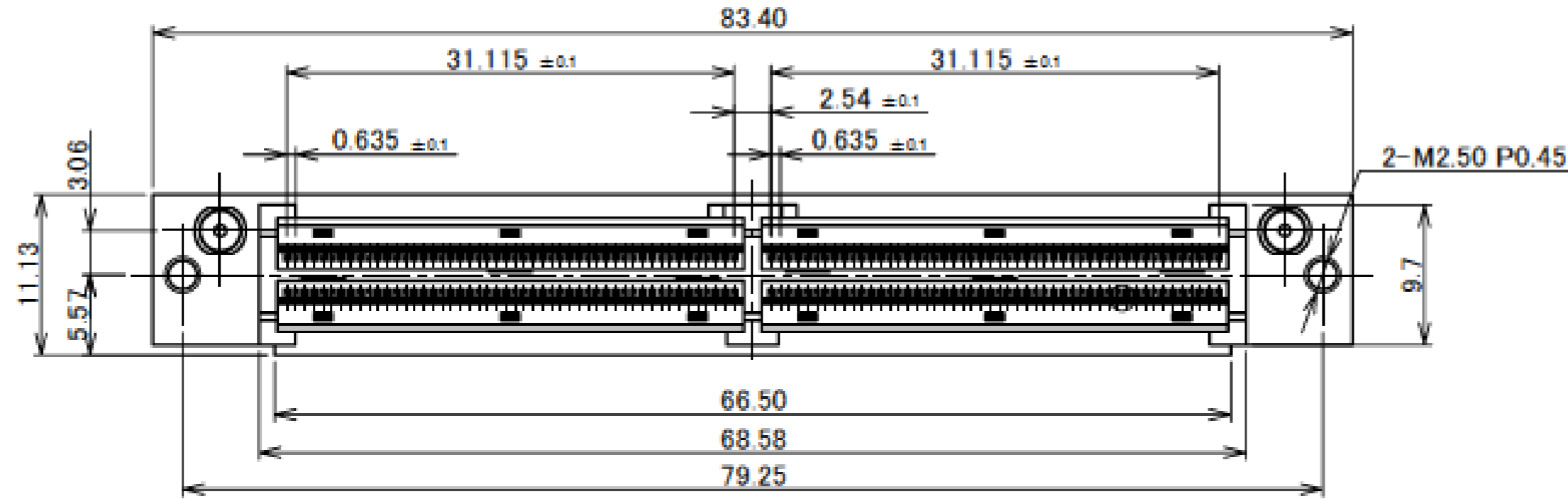
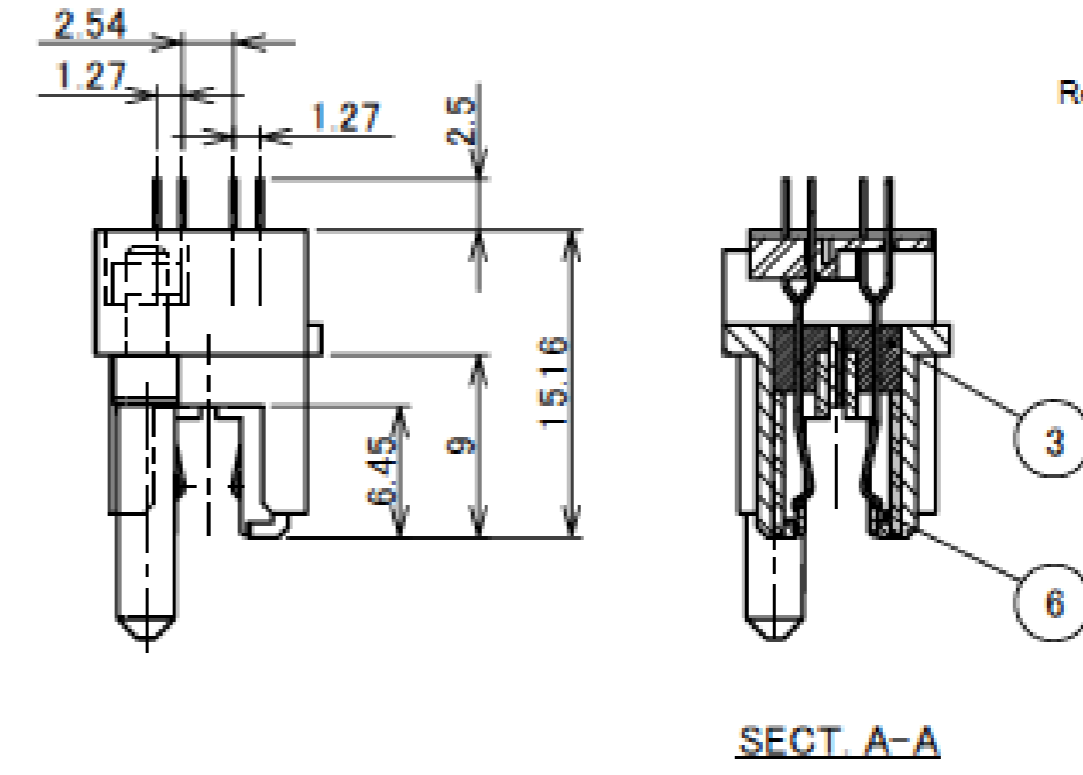
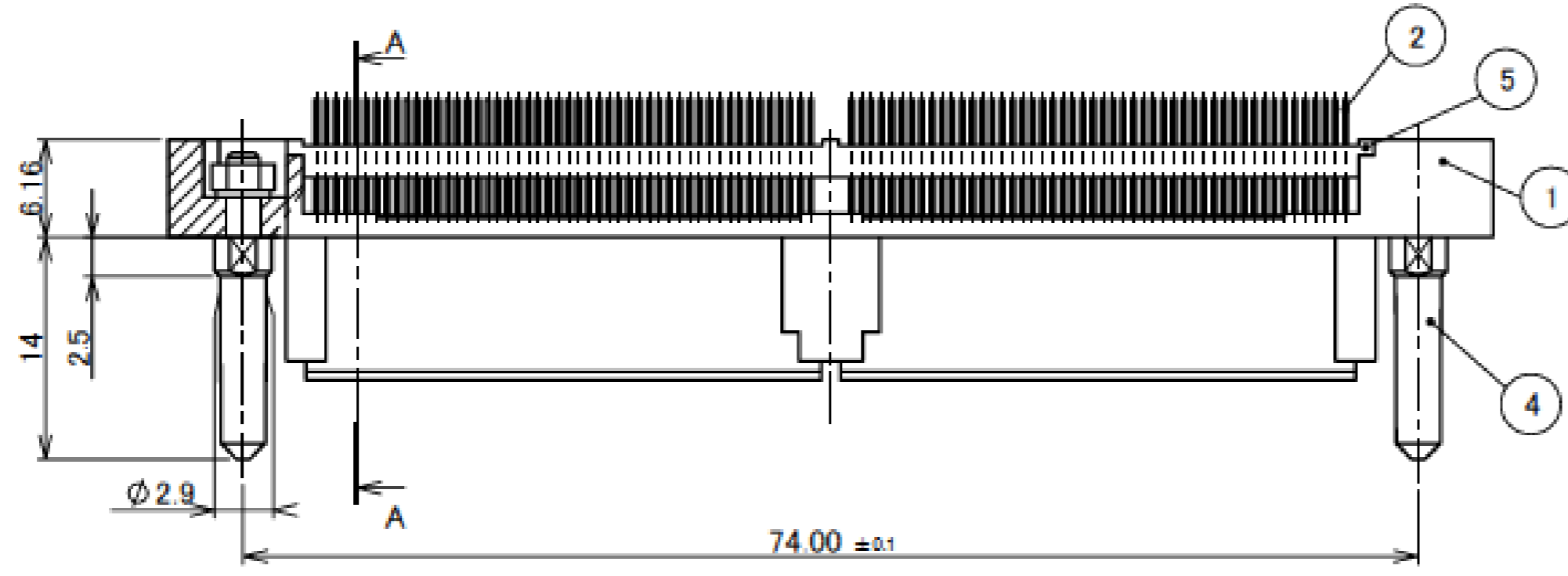
DO NOT MOUNT ANY OTHER COMPONENTS IN THIS AREA

Rev.34

ITEMS	SPECIFICATION
RATING VOLTAGE	250V AC (PER CONTACT PIN)
RATING AMPERAGE (FOR CONTACT)	0.5A AC/DC (PER CONTACT PIN)
OPERATING TEMPERATURE	208~358K(-65°C~+85°C)
OPERATING HUMIDITY	85% MAX.
CONTACT RESISTANCE (FOR CONTACT)	INITIAL : 70mohm MAX. / AFTER TEST : $\triangle$ 25mohm MAX.
INSULATION RESISTANCE	INITIAL : 10,000Mohm MIN. / AFTER TEST : 1,000Mohm MIN.
DIELECTRIC WITHSTANDING VOLTAGE	AC500V 1min
DURABILITY	5,000 CYCLES
MATING FORCE (INITIAL)	0.9N/pos. MAX.
UNMATING FORCE (AFTER TEST)	0.059N/pos. MIN.
COPLANARITY	-
PRODUCT SPECIFICATION	PRS-1011
TEST REPORT	TR-9020
PACKING STANDARD	300-015
INSTRUCTION MANUAL	-
APPEARANCE CRITERIA No.	QLS-A***

# Receptacle Assembly

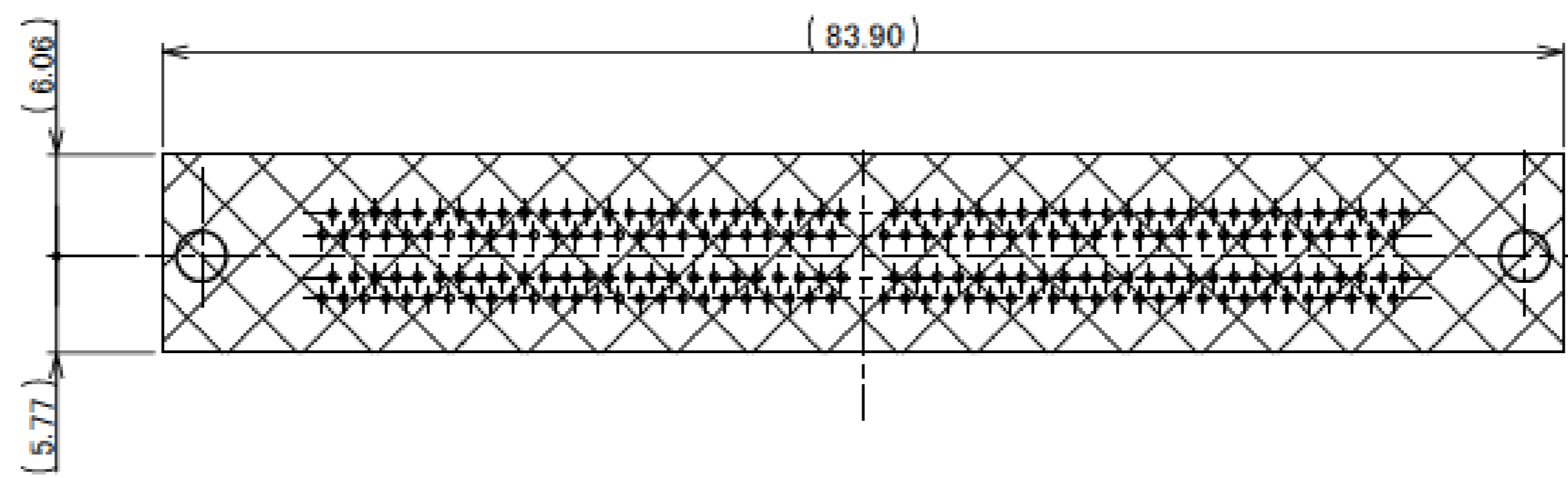
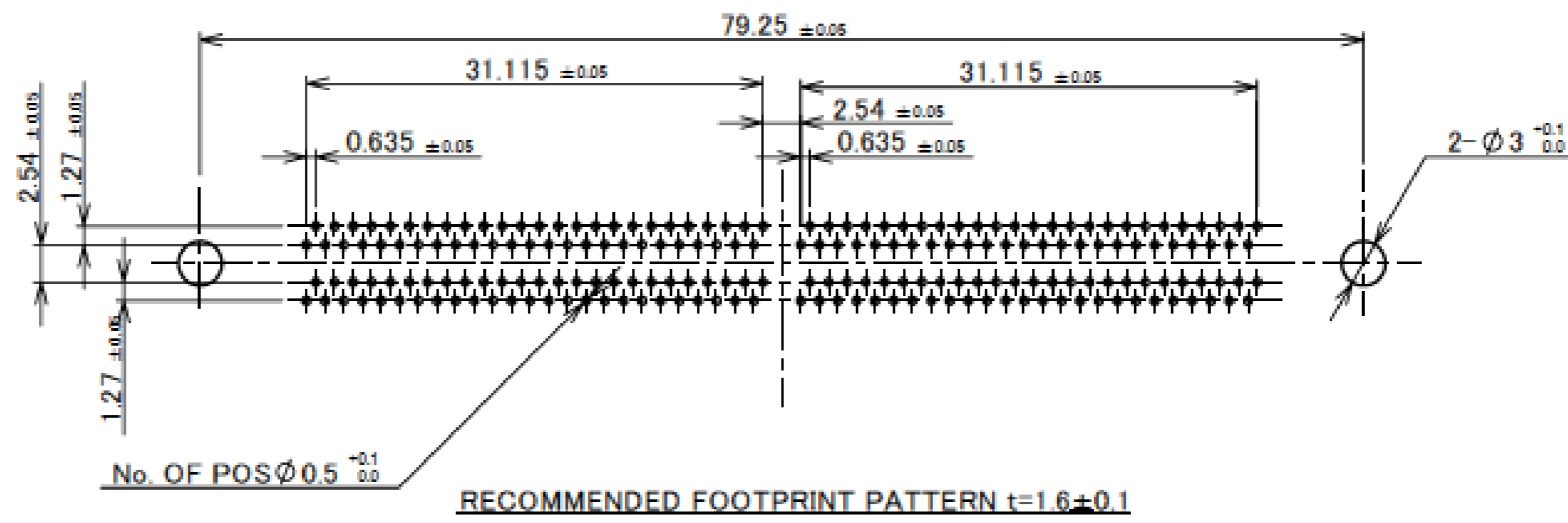
Recommended P/N 30007-200T-03F  
 PART NO.  
 30007-200T-03F



6	CONTACT GUIDE	PPS	BLACK UL94V-0
5	LOCATOR PLATE	PA	BLACK UL94V-0
4	GUIDE PIN	STEEL	Ni PLATING
3	RECE INSULATOR	PPS	BLACK UL94V-0
2	RECE CONTACT	COPPER ALLOY	CONTACT PART Au FLASH OVER Pd-Ni SOLDER TAIL Au FLASH
1	RECE SHELL	Zn ALLOY	Ni OVER Cu PLATING
NO.	DISCRIPTION	MATERIAL	FINISH , REMARKS

NOTE  
 1. CONNECTOR TO BE MATED: 30094

Rev.18



Rev.18

# Receptacle Assembly

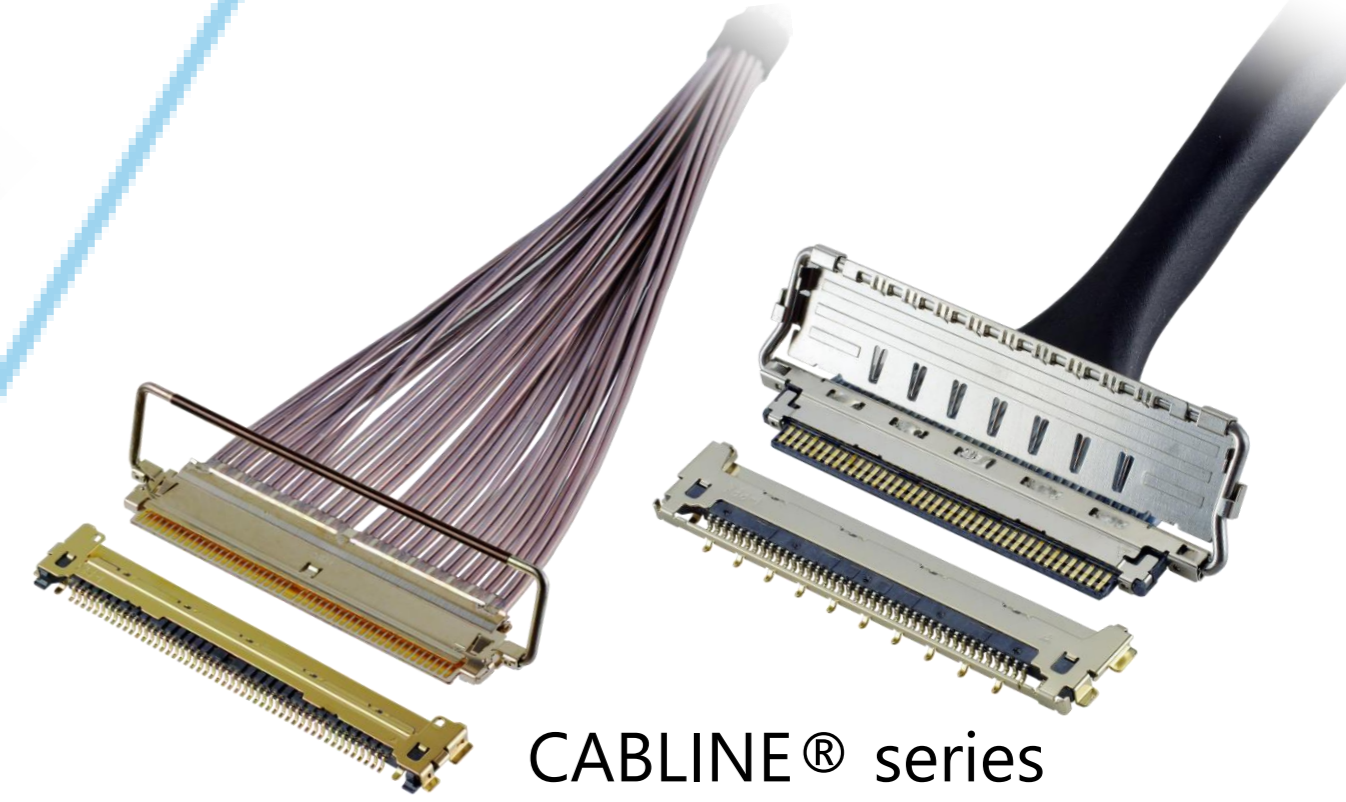
ITEMS	SPECIFICATION
RATING VOLTAGE	250V AC (PER CONTACT PIN)
RATING AMPERAGE (FOR CONTACT)	0.5A AC/DC (PER CONTACT PIN)
OPERATING TEMPERATURE	208 ~ 358K(-65°C ~ +85°C)
OPERATING HUMIDITY	85% MAX.
CONTACT RESISTANCE (FOR CONTACT)	INITIAL : 70mohm MAX. / AFTER TEST : $\Delta$ 25mohm MAX.
INSULATION RESISTANCE	INITIAL : 10,000Mohm MIN. / AFTER TEST : 1,000Mohm MIN.
DIELECTRIC WITHSTANDING VOLTAGE	AC500V 1min
DURABILITY	5,000 CYCLES
MATING FORCE (INITIAL)	0.9N/pos. MAX.
UNMATING FORCE (AFTER TEST)	0.059N/pos. MIN.
COPLANARITY	-
PRODUCT SPECIFICATION	PRS-1011
TEST REPORT	TR-9020
PACKING STANDARD	300-030
INSTRUCTION MANUAL	-
APPEARANCE CRITERIA No.	QLS-A***

Rev.18

# Custom Connectors Available

## RF Connectors

MHF® series



CABLINE® series

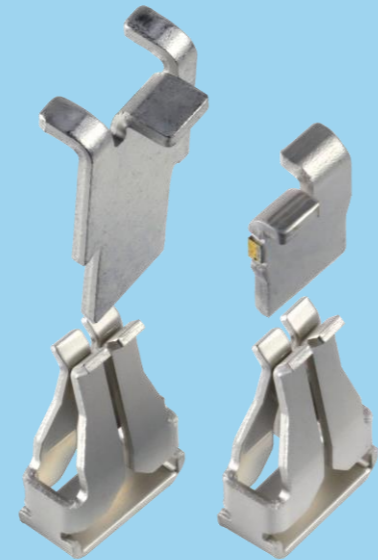
## Micro-Coaxial/Twinaxial Connectors



## Wire-to-Board Connectors/Terminals

AP series

ISH® series



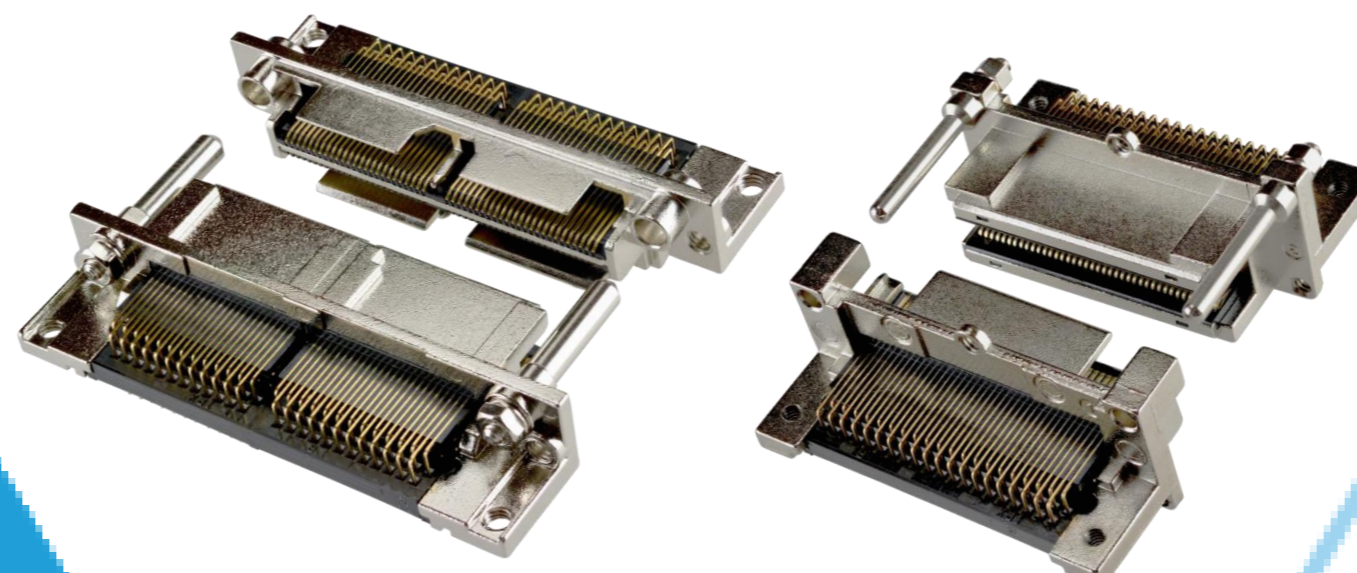
NOVASTACK® series



## Board-to-Board Connectors



## I/O Connectors



MINIDOCK™ series

MINIFLEX® series EVAFLEX® series



## FPC/FFC Connectors



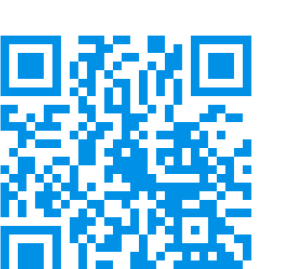
Inquiry



I-PEX, MHF, CABLINE, NOVASTACK, ISH, IARPB, MINIFLEX, EVAFLEX, MINIDOCK, i-Fit and ZenShield are registered trademarks of I-PEX Inc. Please note that the contents in the catalog might be changed without prior notification. I-PEX Inc. assumes no responsibility for any inaccuracies or obligation to update information on these documents. Please be sure to read and understand the latest "Precautions for Use" and "Instruction Manual" before you use our products. We shall not be responsible for any defects, damages or troubles in case you use our products without following the precautions for use. Please feel free to contact our sales representatives when you use our products for any applications that require very high reliability and safety, or that relate to human life (ex. nuclear power control, aerospace, transportation, medical equipment, safety equipment etc.).

Contact your sales representative or more detailed information.

[www.i-pex.com](http://www.i-pex.com)



# I-PEX

© I-PEX Inc. 2025  
All rights reserved