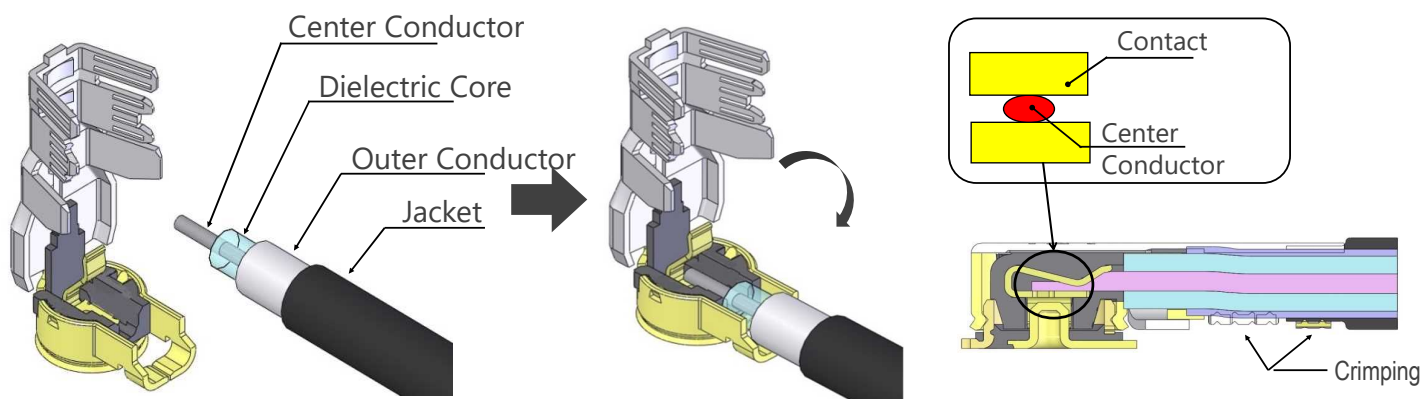




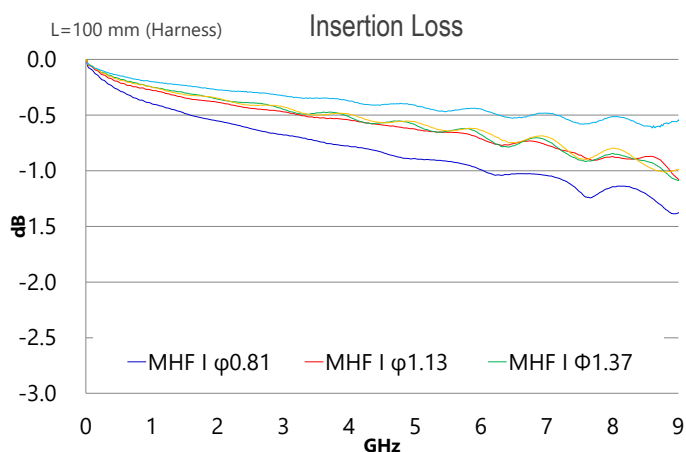
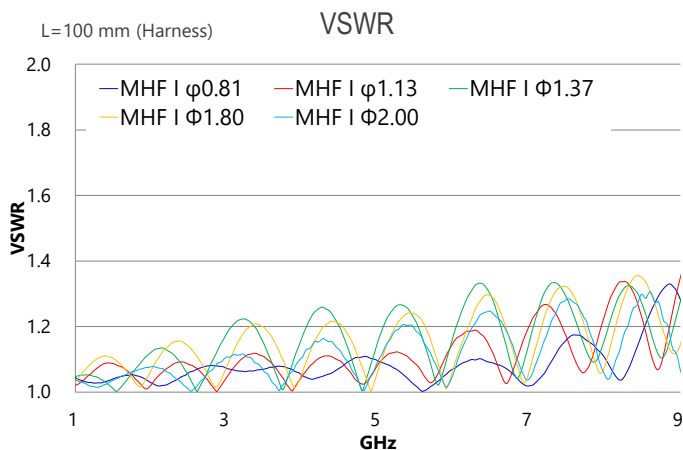
- ✓信頼性の高い無半田結線技術 "i-Fit[®]" テクノロジー採用
- ✓外径2.0mmケーブルによる低ロス性能
- ✓MHF I レセプタクルに嵌合可能

Maximum height (mm)	3.0		
Outside dimension of receptacle(mm)	3.1 x 3.0		
Applicable wire gauge	O.D. 2.0 mm / AWG 26		
Frequency	DC ~ 9 GHz		
Connector			
	PLUG	RECE	
VSWR (L=100 mm)	DC ~ 3 GHz	1.3 max.	1.3 max.
	3 GHz ~ 6 GHz	1.5 max.	1.4 max.
	6 GHz ~ 9 GHz	1.6 max.	1.8 max.
Service temp. (Celsius)	-40 degree ~ +90 degree		
Characteristic impedance	50 ohm		
Rated voltage	AC60V		
Contact resistance	20m ohm max.		
Withstand voltage	AC200V/min		
Insulation resistance	500M ohm min./DC100V		

信頼性の高い無半田結線技術 "i-Fit[®]" テクノロジー採用



外径2.0mmケーブルによる低ロス性能



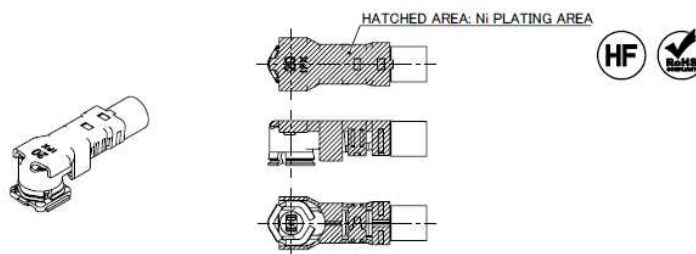
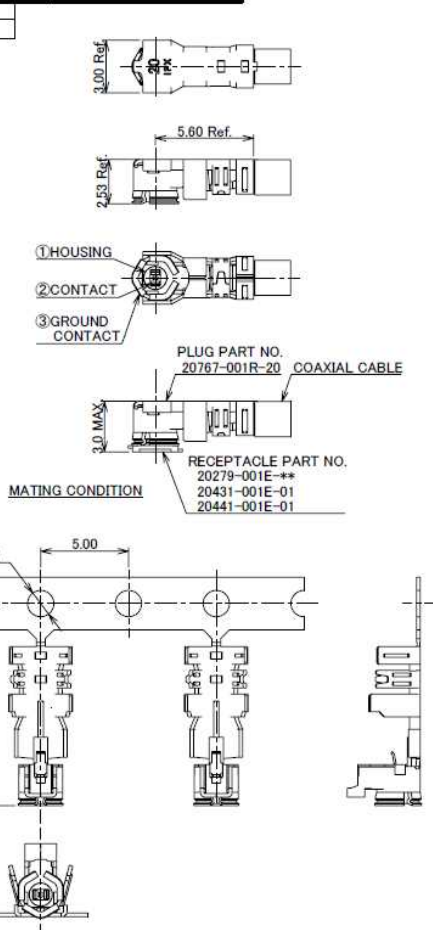
MHF I レセプタクルに嵌合可能

Coax O.D. (Center Conductor AWG)	Mating Height	
	3.0 mm max.	2.5 mm max. 2.9 mm max. with MHF I LK
2.00 mm (26)	○	
1.80 mm (30)		○
1.37 mm (30)		○
1.32 mm (32)		○
1.13 mm (32)		○
0.95 mm (33)		
0.81 mm (33)		
0.81 mm (36)		○
0.64 mm (36)		
0.48 mm (38)		
Receptacle	MHF I/II receptacle	

MHF[®] I (2.0 mm Cable O.D.) Component Parts Detail

MHF[®] I plug (2.0 mm Cable O.D.)

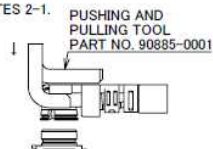
Recommended P/N	20767-001R-20
PART No.	
20767-001R-20	



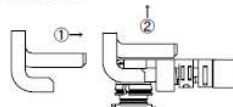
NOTES

1. APPLICABLE CONNECTOR:
20279-001E-**, 20431-001E-01, 20441-001E-01
2. MATING AND UNMATING INSTRUCTION
- 2-1. MATING
MATE THE CONNECTOR VERTICALLY AS MUCH AS POSSIBLE, ADJUSTING THE MATING AXIS OF PLUG AND RECEPTACLE. DO NOT SLANT MATE.
- 2-2. UNMATING
- 2-2-1. IN CASE OF UNMATING BY PULLING TOOL (PART NO. 90885-0001)
USE THE PULLING TOOL AS THE FOLLOWING DRAWING, AND PLEASE PULL PLUG TO VERTICAL DIRECTION AS DIRECTLY AS POSSIBLE.
- 2-2-2. IN CASE OF UNMATING DIRECTLY BY HAND
CATCH THE CATCHING AREA OF PLUG, AND PULL PLUG TO VERTICAL DIRECTION AS DIRECTLY AS POSSIBLE.

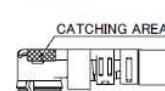
NOTES 2-1.



NOTES 2-2-1.



NOTES 2-2-2.



3	GROUND CONTACT	PHOSPHOR BRONZE	ALL OVER Ni 1.00 μm MIN. CONTACT PART Au 0.05 μm MIN.
2	CONTACT	PHOSPHOR BRONZE	ALL OVER Ni 1.00 μm MIN. CONTACT PART Au 0.10 μm MIN.
1	HOUSING	PBT	UL94V-0, BLACK
NO.	DESCRIPTION	MATERIAL	FINISH, REMARKS

MHF® I plug (2.0 mm Cable O.D.)

ITEMS	SPECIFICATION
RECOMMENDED APPLICABLE CONNECTOR PART No.	20279-001E-**-**
RATING VOLTAGE	60 V AC (R.M.S)
RATING FREQUENCY	DC~9GHz
OPERATING TEMPERATURE	233~363 K (-40°C~+90°C)
VSWR	1.3 MAX. AT 0.1~3 GHz, 1.5 MAX. AT 3~6 GHz, 1.6 MAX. AT 6~9 GHz
MAIN CONTACT RESISTANCE	INITIAL: 20 mohm MAX. / AFTER TEST: Δ R 20 mohm MAX.
GROUND CONTACT RESISTANCE	INITIAL: 20 mohm MAX. / AFTER TEST: Δ R 100 mohm MAX.
INSULATION RESISTANCE	INITIAL: 500 Mohm MIN. / AFTER TEST: 100 Mohm MIN.
DIELECTRIC WITHSTANDING VOLTAGE	200 V AC, 1 MINUTE
DURABILITY	30 CYCLES
UNMATING FORCE (INITIAL / AFTER TEST)	5 N MIN. / 3 N MIN.
CRIMP STRENGTH	15 N MIN.
PRODUCT SPECIFICATION	PRS-2490
TEST REPORT	TR-18041
PACKING STANDARD	PST-16007
INSTRUCTION MANUAL	HIM-17017
APPEARANCE CRITERIA No.	QLS-A***

Rev.2

MHF® I plug (2.0 mm Cable O.D.)

PART NO.	20767-001R-20		
APPLICABLE CABLE NOMINAL DIMENSION			
BRAIDED SHIELD OF OUTER CONDUCTOR	SINGLE		
PART NO. OF SEMI AUTO TERMINATION MACHINE	90876-020		
CRIMP HEIGHT	CH-1 I-Fit® PART	CH-2 SHIELD PART	CH-3 JACKET PART
	 2.28~2.36	 1.81~1.87	 1.95~2.01

Rev.2

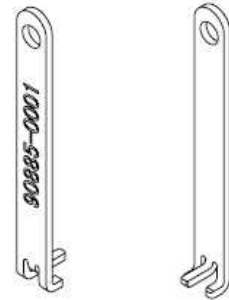
Accessories for MHF® I plug (2.0 mm Cable O.D.)



MHF I/II SMA ADAPTOR
PART NO. 90193-001



MHF I/II PLUG INSPECTION CONNECTOR
PART NO. 90194-001

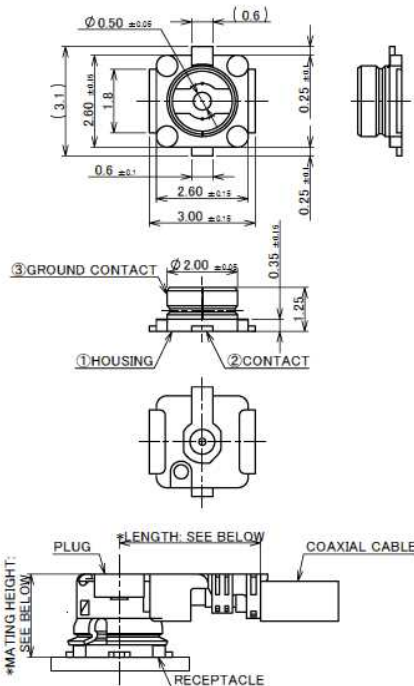


FRONT SIDE BACK SIDE
MHF I PLUG (2.00) PUSHING AND PULLING TOOL
PART NO. 90885-0001

Rev.2

MHF® I Receptacle

Recommended P/N		20279-001E-03
PART NO.	PACKING REEL	QUANTITY IN 1 REEL
20279-001E-01	PLASTIC REEL	2,500
	CORRUGATED PAPER REEL	2,500
20279-001E-03	PLASTIC REEL	5,000
20279-001E-05	PLASTIC REEL	10,000



- NOTES
- APPLICABLE CONNECTOR PART NO.
MHF I PLUG
20278-11R-**-**
20351-***R-37
20631-***R-**-**
20670-001R-**-**
20767-001R-20
MHF II PLUG
20311-011R-**-**
20686-001R-08
 - COPLANARITY: 0.1mm MAX.
 - THIS IS "Pb-FREE" CONNECTOR.

NO.	DISCRIPTION	MATERIAL	FINISH, REMARKS
3	GROUND CONTACT	PHOSPHOR BRONZE	ALL OVER Ni 1.00 μ m MIN. CONTACT PART Au 0.05 μ m MIN. SOLDERING PART Au 0.05 μ m MIN.
2	CONTACT	BRASS	ALL OVER Ni 1.00 μ m MIN. CONTACT PART Au 0.10 μ m MIN. SOLDERING PART Au 0.03 μ m MIN.
1	HOUSING	LCP	UL94V-0, WHITE

*LENGTH: 4.0 \pm 0.4 AT PLUG PART NO. 20670-001R-08, 20670-001R-13, 20670-001R-32
4.7 \pm 0.4 AT PLUG PART NO. 20670-001R-18, 20670-001R-37
5.6 AT PLUG PART NO. 20767-001R-20 (REFERENCE DIMENSION)
3.8 \pm 0.3 AT PLUG PART NO. 20686-001R-08, 20311-011R-**-**
*MATING HEIGHT: 2.5 MAX. AT PLUG PART NO. 20670-001R-**-**
3.0 MAX. AT PLUG PART NO. 20767-001R-20
2.0 \pm 0.1 AT PLUG PART NO. 20686-001R-08, 20311-011R-**-**
MATING CONDITION

Rev.25

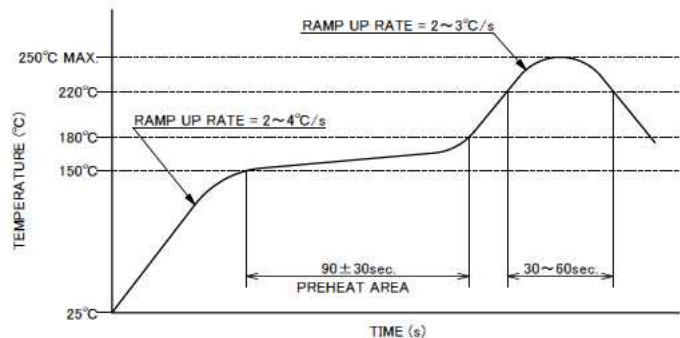
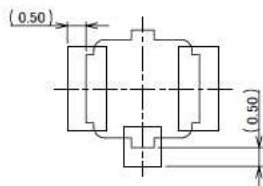
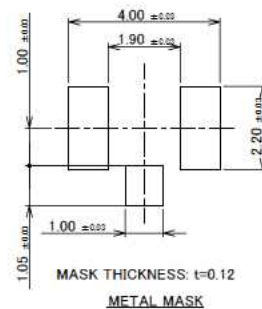
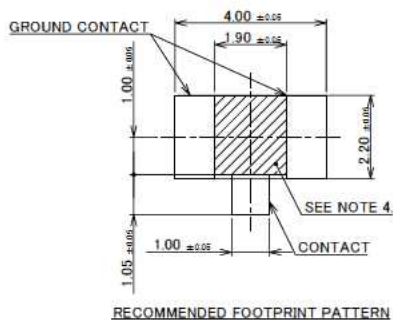
MHF® I Receptacle

ITEMS	SPECIFICATION		
	20670-001R-**- (MHF I PLUG Ni TOP 1.80, 1.37, 1.32, 1.13, 0.81)	20767-001R-20 (MHF I PLUG 2.00)	20686-001R-08 (MHF II PLUG Ni TOP 0.81)
RECOMMENDED APPLICABLE CONNECTOR PART NO.			
RATING VOLTAGE	60 V AC (R.M.S)		
RATING FREQUENCY	DC~9GHz		
OPERATING TEMPERATURE	233~383K (-40°C~+90°C)		
VSWR	RECEPTACLE: 1.3 MAX. AT 0.1~3 GHz, 1.4 MAX. AT 3~6 GHz, 1.8 MAX. AT 6~9 GHz		
MAIN CONTACT RESISTANCE	INITIAL: 20 mohm MAX. / AFTER TEST: ΔR 20 mohm MAX.		
GROUND CONTACT RESISTANCE	INITIAL: 20 mohm MAX. / AFTER TEST: ΔR 100 mohm MAX.		
INSULATION RESISTANCE	INITIAL: 500 Mohm MIN. / AFTER TEST: 100 Mohm MIN.		
DIELECTRIC WITHSTANDING VOLTAGE	200 V AC, 1 MINUTE		
DURABILITY	30 CYCLES		
UNMATING FORCE (INITIAL / AFTER TEST)	INITIAL: 5 N MIN. AFTER TEST: 3 N MIN.		INITIAL: 4 N MIN. AFTER TEST: 2 N MIN.
PRODUCT SPECIFICATION	PRS-2105	PRS-2490	PRS-2106
TEST REPORT	TR-15059	TR-18041	TR-15060
PACKING STANDARD	20279-001E-01: 300-232 (CORRUGATED PAPER REEL) PST-12002 (ANTI-STATIC PLASTIC REEL) 20279-001E-03: 300-850 20279-001E-05: PST-13040		
INSTRUCTION MANUAL	HIM-10002		HIM-12010
APPEARANCE CRITERIA No.	QLS-A***		

※UNLESS OTHERWISE SPECIFIED, 20279-001E-01 WILL DERIVED IN CORRUGATED PAPER REELS.
CONTACT YOUR I-PEX SALES IF YOU WISH FOR PLASTIC REELS.

Rev.25

MHF® I Receptacle



NOTES
4. CUT OUT PROHIBITION AREA

Rev.25

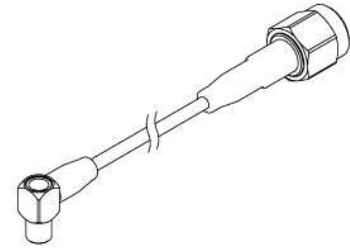
Accessories for MHF® I Receptacle



MHF I/II SMA ADAPTOR
PART NO. 90193-002



4.5MM HIGH CYCLE TEST PROBE FOR MHF/MHF A
PART NO. 90575-0001



4.5MM HIGH CYCLE TEST PROBE CABLE ASS'Y
PART NO. 90577-****

* 90575-0001 AND 90577-**** SHOULD BE USED TOGETHER.

Rev.25

I-PEX

Copyright © I-PEX Inc. 2020. All rights reserved.

I-PEX, MHF, CABLINE, NOVASTACK, EVAFLEX, MINIFLEX, ISH, IARPB, IASLP, ESTORQ, i-Fit, ISFIT はI-PEX株式会社の登録商標です。本書の記載内容については、予告なく変更することがありますのでご了承ください。内容に含まれる情報の正確性や更新義務について当社は一切の責任を負いません。ご使用前に「使用上の注意」および「取扱説明書」の最新版を必ずご覧いただき、ご理解のうえご使用ください。使用上の注意事項に反して本製品をご使用したことによって生じた不具合、故障及び事故に関し、当社は一切その責任を負いません。極めて高い信頼性・安全性が要求される用途や人命に関わる用途(原子力・航空宇宙・運輸・医療・安全装置等)への使用に関しましては、事前に当社営業窓口までご相談ください。

詳しい情報については、営業窓口までお問い合わせください。 [i-pex.com]

202008R0