

# MHF® 4L LK

MHF® 4/4L Receptacle과 결합 가능한 Lock 구조 탑재 커넥터,  
~12 GHz의 고주파에서 우수한 전송특성을 발휘, 결합 높이 2.0 mm max.

**Product Specifications:**

Mated Height (mm max.)	2.0		
Rece. SMT Size (mm)	2.0 x 2.0		
Applicable Frequency	DC ~ 12 GHz		
Characteristic Impedance	50 ohm		
VSWR (L=100 mm)	Connector	PLUG	RECEPTACLE (MHF® 4L)
	DC ~ 3 GHz	1.3 max.	1.3 max.
	3 ~ 6 GHz	1.4 max.	1.4 max.
	6 ~ 9 GHz	1.5 max.	1.5 max.
9 ~ 12 GHz	1.6 max.	1.65 max.	

**Applicable Cable Size:**

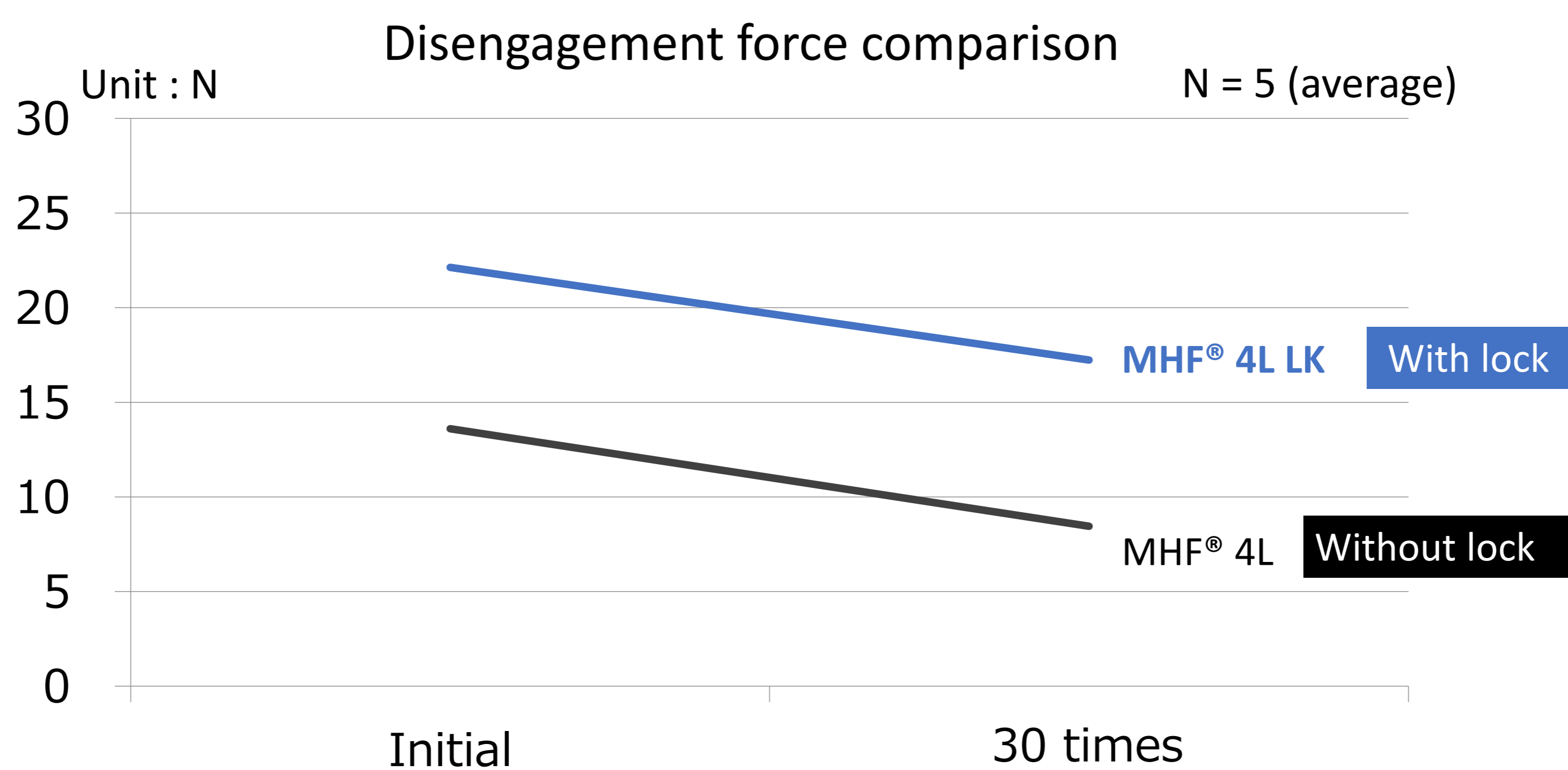
1.37 mm / AWG 30

**Applicable Standards (Reference Only):**

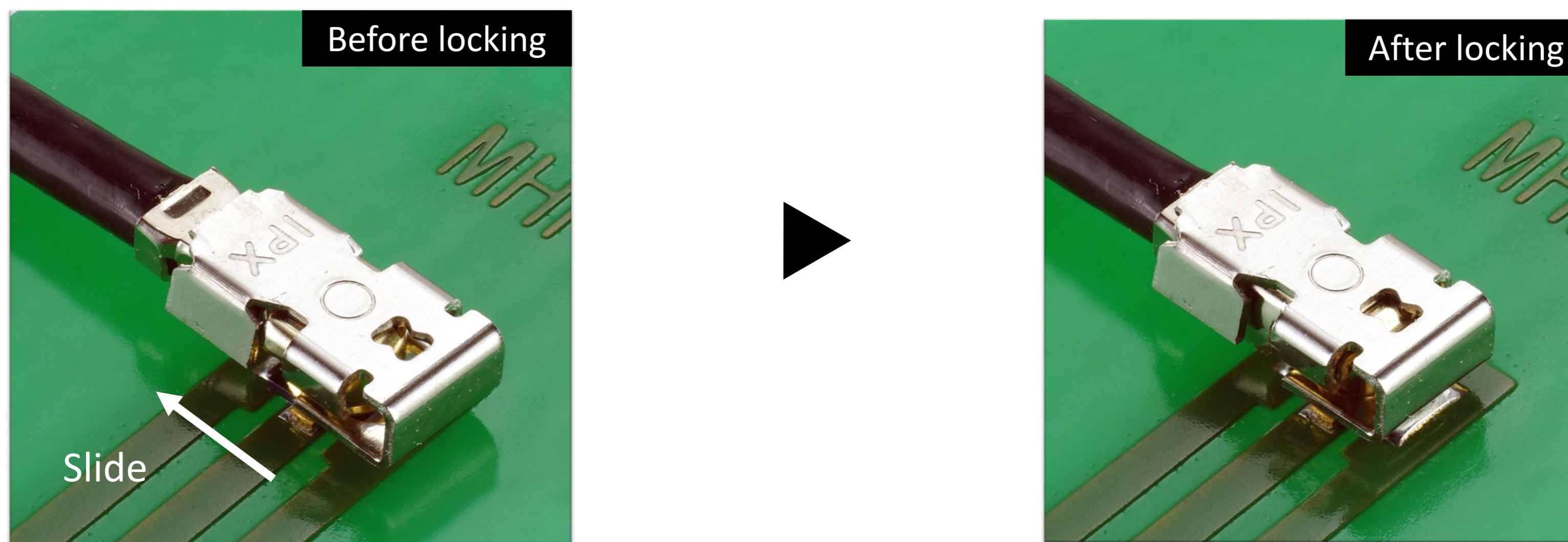
5G sub-6, Wi-Fi 6E, LTE/LTE-Advanced, LPWA, Bluetooth, GPS







## ▶ 지속적인 충격 및 진동 대책에 최적



## ▶ MHF® 4L Plug용 결합 Lock 시스템



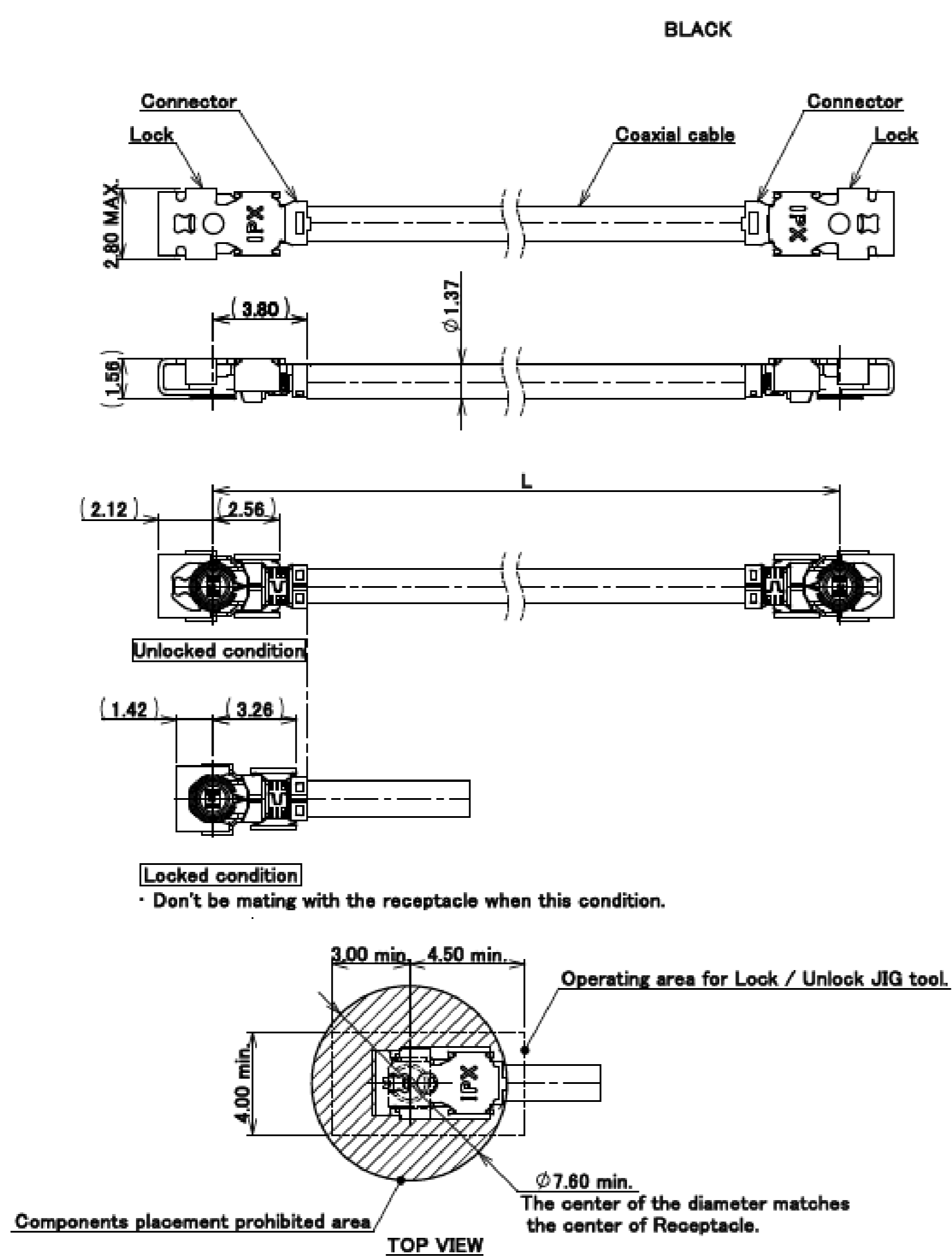
## ▶ MHF® 4 /4L Receptacle과 결합 가능

					
Product name	MHF® 4L LK	MHF® 4L	MHF® 4L	MHF® 4L	
Lock	With Lock	Without Lock	Without Lock	Without Lock	
Mating Height	2.0 mm max.	1.7 mm max.	1.4 mm max.	1.2 mm max.	
Coaxial O.D. (Center Conductor AWG)	1.37 mm (AWG#30)	●			
	1.13 mm (AWG#32)		●		
	0.95 mm (AWG#33)			●	
	0.81 mm (AWG#36)				●
	0.64 mm (AWG#36)				●
Receptacle	MHF® 4 receptacle (20449-001E-**) , MHF® 4L receptacle (20579-001E)				



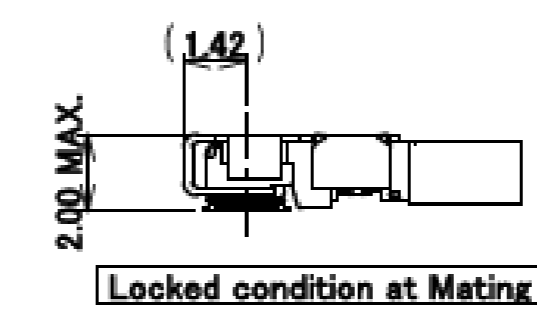
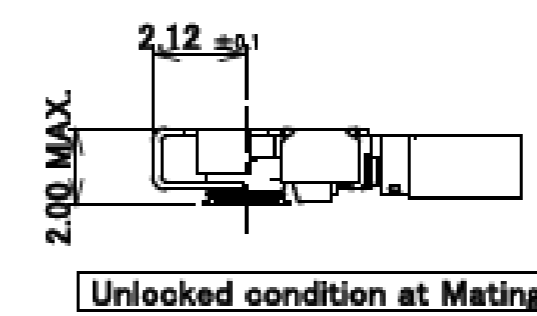
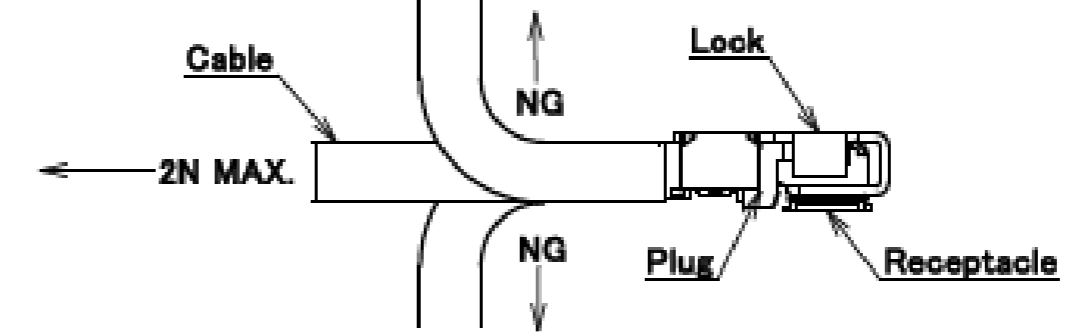
# Component Parts Details

## MHF<sup>®</sup> 4L LK

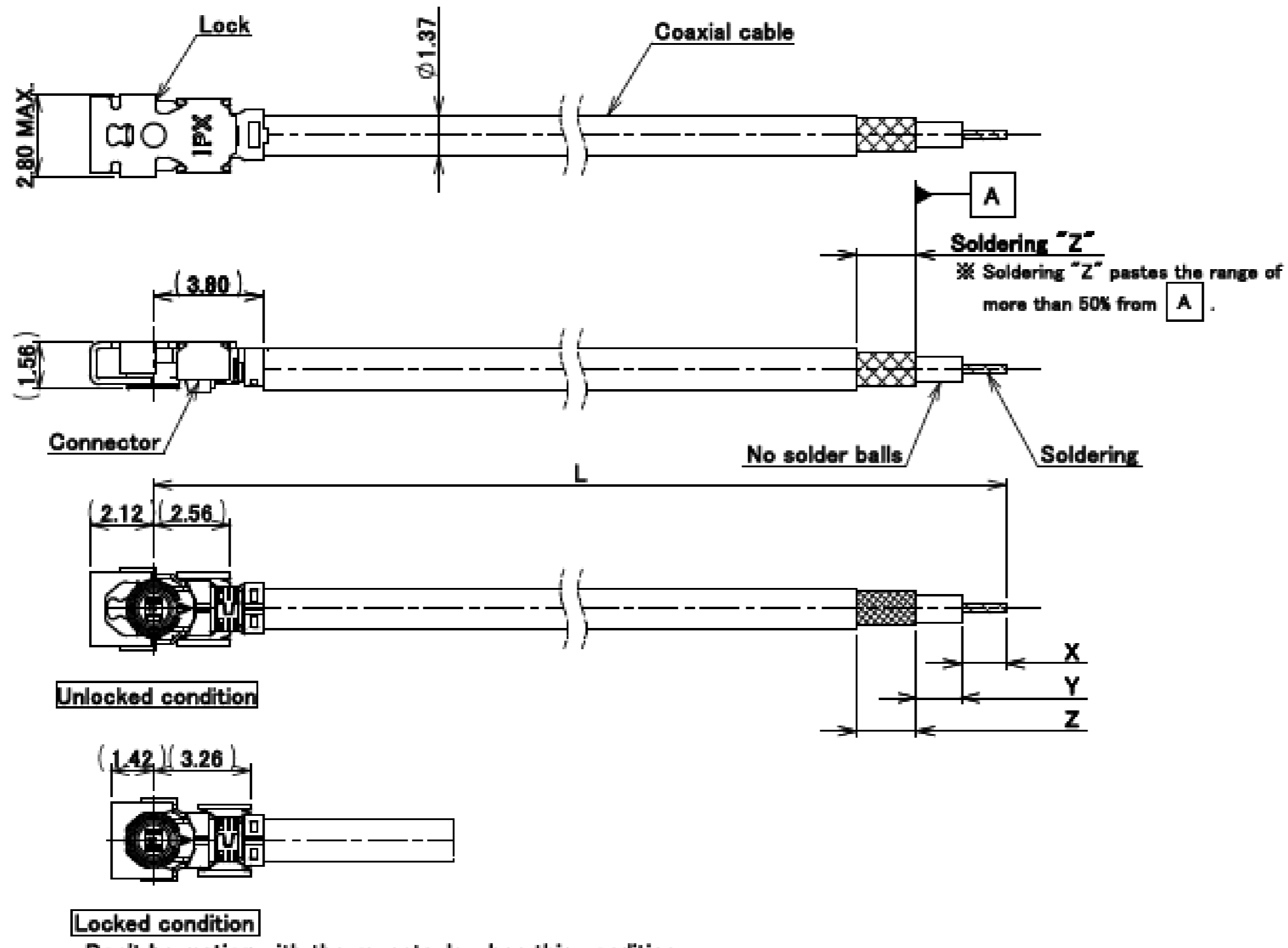


### NOTES

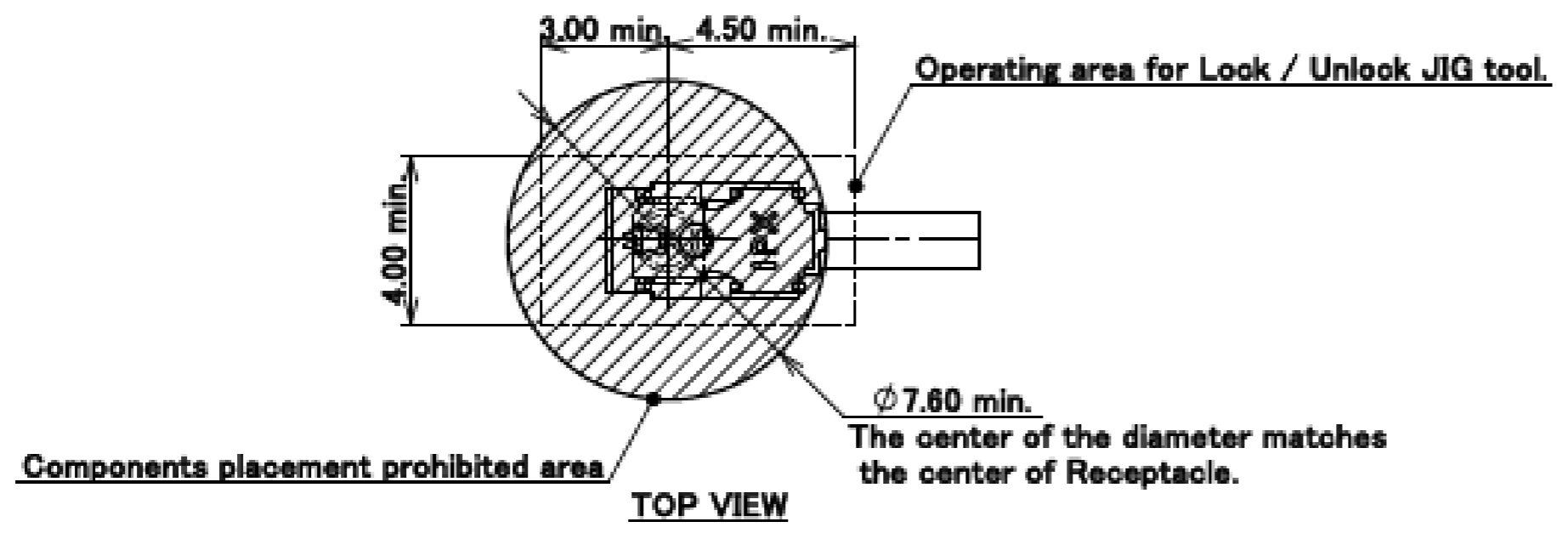
1. Constructions
  - (1) Connector : MHF4L Plug
  - (2) Coaxial cable : AWG#30  $\Phi$  1.37
2. Orientation of connector :  $0^\circ \pm 45^\circ$
3. Packing : Bag
4. This product is RoHS compliant.
5. Cable crimp strength : 15N MIN.
6. Permissible load of cable at mating.



# MHF<sup>®</sup> 4L LK

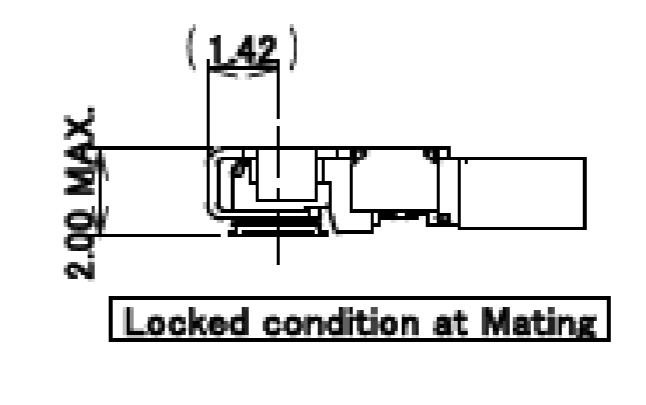
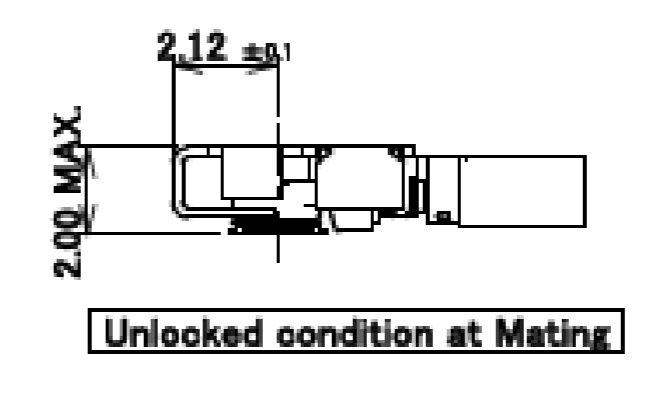
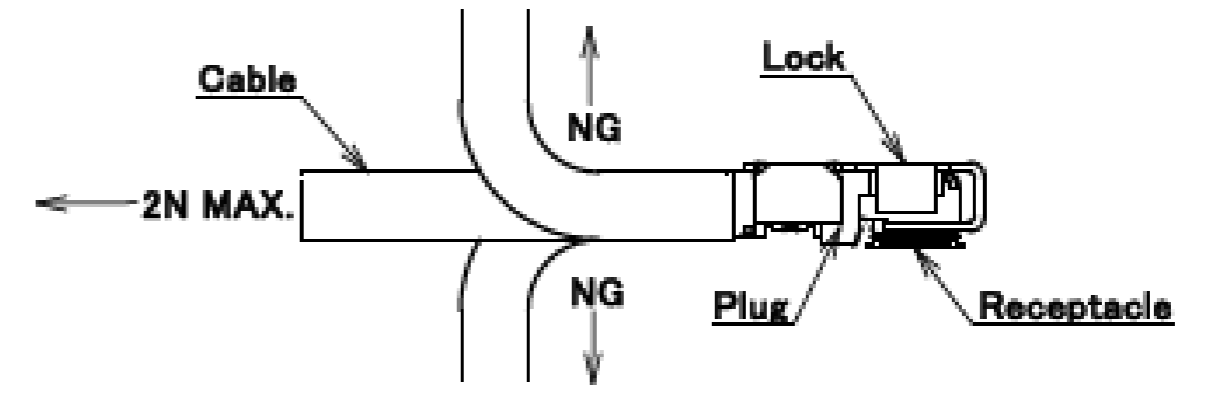


Locked condition  
 · Don't be mating with the receptacle when this condition.



## NOTES

1. Constructions
  - (1) Connector : MHF4L Plug
  - (2) Coaxial cable : AWG#30  $\Phi$  1.37
2. Packing : Bag
3. This product is RoHS compliant.
4. Cable crimp strength : 15N MIN.
5. Permissible load of cable at mating.





# Custom Connectors Available

 RF Connectors

MHF® series



CABLINA® series



Micro-coaxial/Twinax Connectors

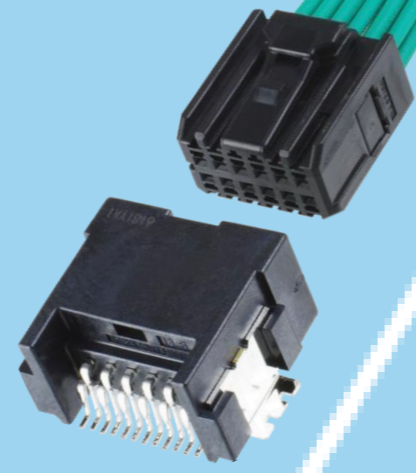


Wire-to-Board Connectors/Terminals

AP series



ISH® series



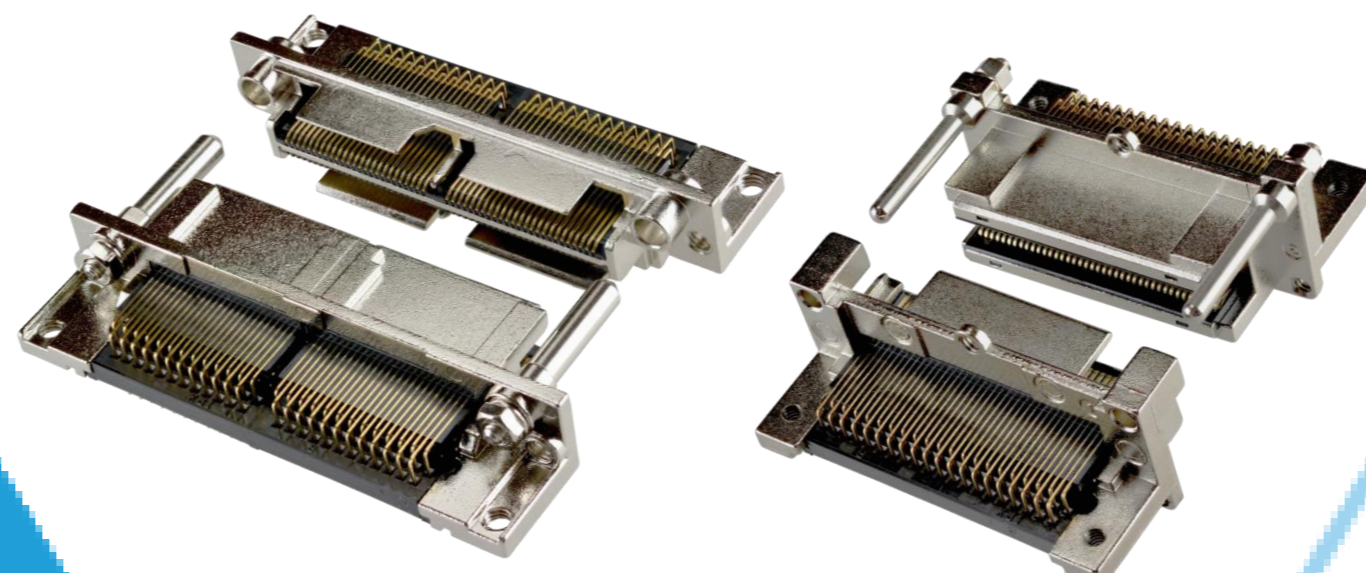
NOVASTACK® series



Board-to-Board Connectors



I/O Connectors



MINIDOCK™ series

MINIFLEX® series

EVAFLEX® series



FPC/FFC Connectors



Inquiry



I-PEX, MHF, CABLINE, NOVASTACK, ISH, IARPB, MINIFLEX, EVAFLEX, MINIDOCK and ZenShield are registered trademarks of I-PEX Inc. Please note that the contents in the catalog might be changed without prior notification. I-PEX Inc. assumes no responsibility for any inaccuracies or obligation to update information on these documents. Please be sure to read and understand the latest "Precautions for Use" and "Instruction Manual" before you use our products. We shall not be responsible for any defects, damages or troubles in case you use our products without following the precautions for use. Please feel free to contact our sales representatives when you use our products for any applications that require very high reliability and safety, or that relate to human life (ex. nuclear power control, aerospace, transportation, medical equipment, safety equipment etc.).

Contact your sales representative or more detailed information.

[www.i-pex.com](http://www.i-pex.com)



# I-PEX

© I-PEX Inc. 2025  
All rights reserved