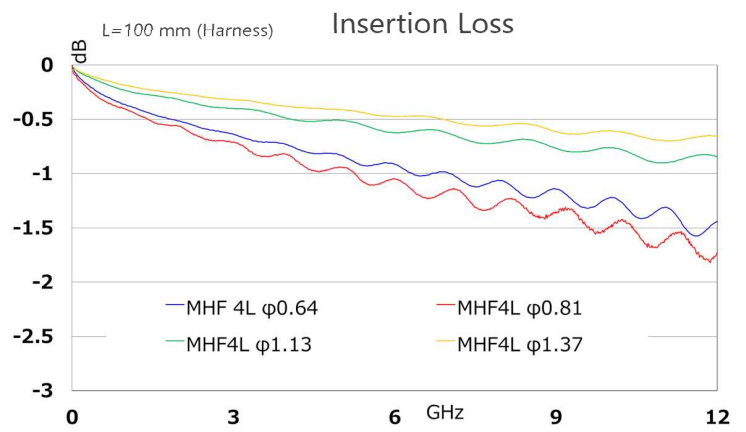
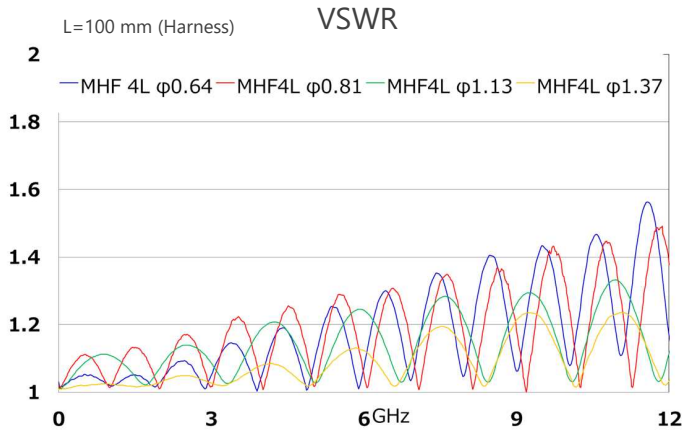




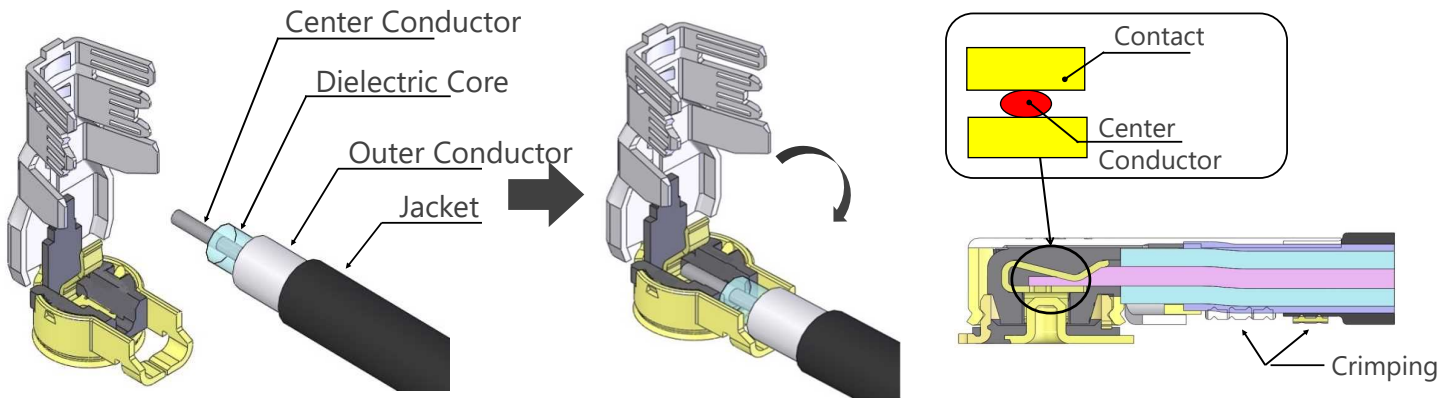
- ✓ Small form factor with big performance through 12 GHz
- ✓ Solderless micro-coax termination technology "i-Fit<sup>®</sup>" provides consistent performance
- ✓ MHF<sup>®</sup> 4L Plug available cable O.D. (AWG) : 1.13 mm (32), 0.95 mm (33)

Maximum height (mm)	1.4	
Outside dimension of receptacle (mm)	2.0 x 2.0	
Applicable wire gauge	O.D. 1.13 mm / AWG 32 O.D. 0.95 mm / AWG 33	
Frequency	DC~12 GHz	
VSWR (L=100 mm)	DC~3 GHz	1.3 max.
	3 GHz~6 GHz	1.45 max.
	6 GHz~9 GHz	1.6 max.
	9 GHz~12 GHz	1.9 max.
	12 GHz~15 GHz	-
Service temp. (Celsius)	-40 degree ~ +90 degree	
Characteristic impedance	50 ohm	
Rated voltage	AC60V	
Contact resistance	20m ohm max.	
Withstand voltage	AC200V/min	
Insulation resistance	500M ohm min./DC100V	

## Small form factor with big performance through 12 GHz



## Solderless micro-coax termination technology "i-Fit<sup>®</sup>" provides consistent performance



## MHF<sup>®</sup> 4L Plug available cable O.D. (AWG) : 1.13 mm (32), 0.95 mm (33)

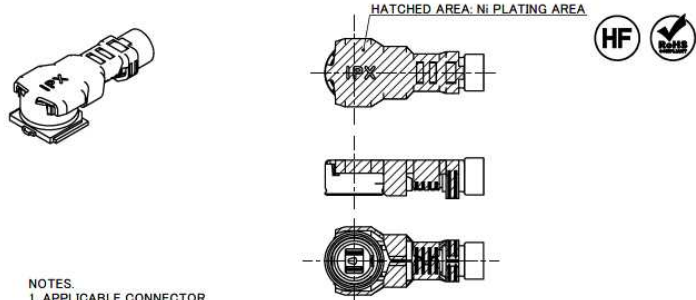
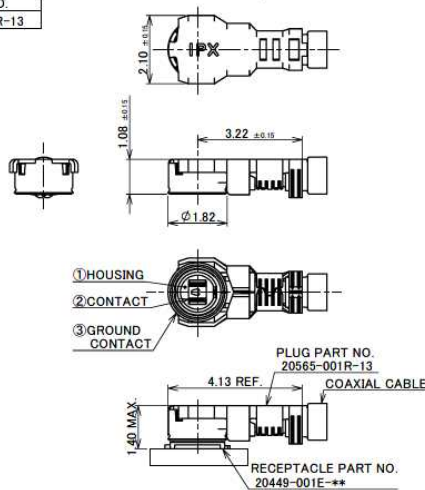
Coax O.D. (Center Conductor AWG)	Mating Height		
	1.7 mm max.	1.4 mm max.	1.2 mm max.
2.00 mm (26)			
1.80 mm (30)			
1.37 mm (30)	○		
1.32 mm (32)			
1.13 mm (32)		○	
0.95 mm (33)		○	
0.81 mm (33)			
0.81 mm (36)			○
0.64 mm (36)			○
0.48 mm (38)			
Receptacle	MHF 4 receptacle , MHF 4L receptacle		

# MHF<sup>®</sup> 4L

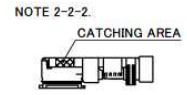
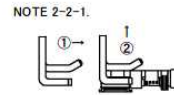
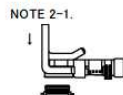
## Component Parts Detail

### MHF<sup>®</sup> 4L plug Ni top (1.13,0.95)

Recommended P/N	20565-001R-13
PART NO.	20565-001R-13



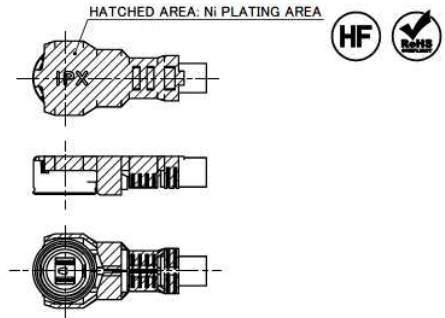
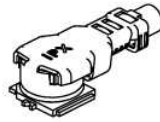
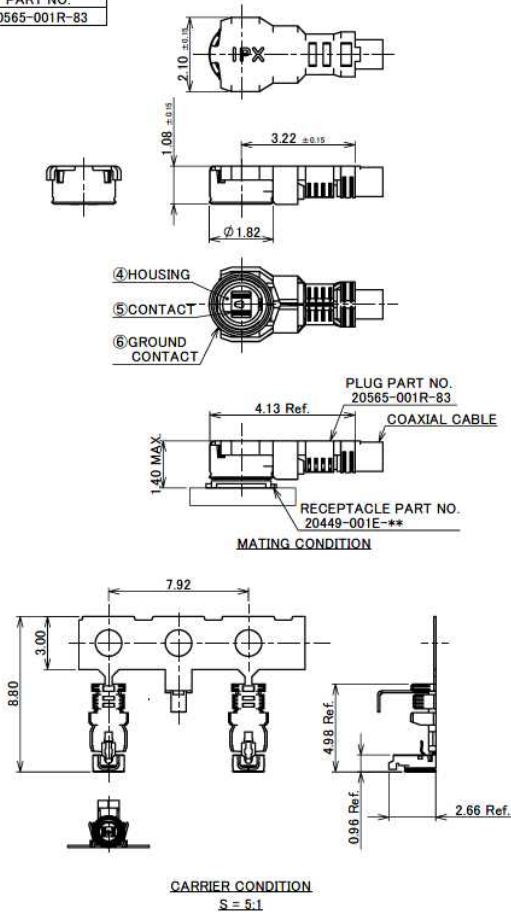
- NOTES.
- APPLICABLE CONNECTOR  
20449-001E-\*\*\*  
20579-001E-\*\*\*
  - MATING AND UNMATING INSTRUCTION  
2-1. MATING  
MATE THE CONNECTOR VERTICALLY AS MUCH AS POSSIBLE, ADJUSTING THE MATING AXIS OF PLUG AND RECEPTACLE. DO NOT SLANT MATE.  
2-2. UNMATING INSTRUCTION  
2-2-1. IN CASE OF UNMATING BY PULLING TOOL (PART NO. 90609-0001)  
USE THE PULLING TOOL AS THE FOLLOWING DRAWING, AND PULL PLUG TO VERTICAL DIRECTION AS DIRECTLY AS POSSIBLE.  
2-2-2. IN CASE OF UNMATING DIRECTLY BY HAND  
CATCH THE CATCHING AREA OF PLUG, AND PULL PLUG TO VERTICAL DIRECTION AS DIRECTLY AS POSSIBLE.



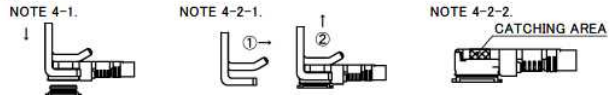
NO.	DESCRIPTION	MATERIAL	FINISH . REMARKS
3	GROUND CONTACT	PHOSPHOR BRONZE	ALL OVER Ni 1.00 μm MIN. CONTACT PART Au 0.05 μm MIN. [Ni PLATING AREA] Ni ONLY
2	CONTACT	PHOSPHOR BRONZE	ALL OVER Ni 1.00 μm MIN. CONTACT PART Au 0.10 μm MIN.
1	HOUSING	PBT	UL94V-0, BLACK

# MHF® 4L plug Ni top (1.13,0.95)

Recommended P/N	20565-001R-83
PART NO.	20565-001R-83



- NOTES.
3. APPLICABLE CONNECTOR:  
20449-001E-\*\*  
20579-001E-\*\*
  4. MATING AND UNMATING INSTRUCTION
  - 4-1. MATING  
MATE THE CONNECTOR VERTICALLY AS MUCH AS POSSIBLE, ADJUSTING THE MATING AXIS OF PLUG AND RECEPTACLE. DO NOT SLANT MATE.
  - 4-2. UNMATING INSTRUCTION
  - 4-2-1. IN CASE OF UNMATING BY PULLING TOOL (PART NO. 90609-0001)  
USE THE PULLING TOOL AS THE FOLLOWING DRAWING, AND PULL PLUG TO VERTICAL DIRECTION AS DIRECTLY AS POSSIBLE.
  - 4-2-2. IN CASE OF UNMATING DIRECTLY BY HAND  
CATCH THE CATCHING AREA OF PLUG, AND PULL PLUG TO VERTICAL DIRECTION AS DIRECTLY AS POSSIBLE.



6	GROUND CONTACT	PHOSPHOR BRONZE	ALL OVER Ni: 1.00 μm MIN. CONTACT PART Au 0.05 μm MIN. [Ni PLATING AREA] Ni: ONLY
5	CONTACT	PHOSPHOR BRONZE	CONTACT PART FINISH: Au 0.10 μm MIN. UNDER PLATE: Ni 1.00 μm MIN.
4	HOUSING	PBT	UL94V-0, BLACK
NO.	DISCRPTION	MATERIAL	FINISH , REMARKS

Rev.7

Confidential C

# MHF® 4L plug Ni top (1.13,0.95)

ITEMS	SPECIFICATION		
	AWG#32 (1.13 O.D.)	AWG#33 (0.95 O.D.)	AWG#34 (0.83 O.D.)
APPLICABLE CABLE	AWG#32 (1.13 O.D.)	AWG#33 (0.95 O.D.)	AWG#34 (0.83 O.D.)
RECOMMENDED APPLICABLE CONNECTOR PART No.	20449-001E-**		
RATING VOLTAGE	60 V AC (R.M.S)		
RATING FREQUENCY	DC~ 12GHz		
OPERATING TEMPERATURE	233~363 K (-40°C~+90°C)		
VSWR	1.3 MAX. AT DC~3GHz, 1.45 MAX. AT 3~6GHz, 1.6 MAX. AT 6~9GHz, 1.9 MAX. AT 9~12GHz		
MAIN CONTACT RESISTANCE	INITIAL: 20 mohm MAX. / AFTER TEST: ΔR 20 mohm MAX.		
GROUND CONTACT RESISTANCE	INITIAL: 20 mohm MAX. / AFTER TEST: ΔR 20 mohm MAX.		
INSULATION RESISTANCE	INITIAL: 500 Mohm MIN. / AFTER TEST: 100 Mohm MIN.		
DIELECTRIC WITHSTANDING VOLTAGE	200 V AC, 1 MINUTE		
DURABILITY	30 CYCLES		
MATING FORCE (INITIAL / AFTER TEST)	INITIAL: 30 N MAX. / AFTER TEST: 30 N MAX.		
UNMATING FORCE (INITIAL / AFTER TEST)	INITIAL: 20 N MAX, 5 N MIN. / AFTER TEST: 20 N MAX, 3 N MIN.		
PRODUCT SPECIFICATION	PRS-1772	PRS-2051	PRS-2062
TEST REPORT	TR-13011	TR-14142	TR-15011
PACKING STANDARD	PST-12066		
INSTRUCTION MANUAL	HIM-12012		
APPEARANCE CRITERIA No.	GLS-A***		

Rev.7

# MHF® 4L plug Ni top (1.13,0.95)

PART NO.	20565-001R-13	
APPLICABLE CABLE STRIP DIMENSION		
	※DO NOT USE SOLDER COATED EITHER INNER OR OUTER CONDUCTOR CABLES.	
	<b>REQUIREMENTS</b> CHARACTERISTIC IMPEDANCE: 50 ohm by TDR METHOD NOMINAL CAPACITANCE (REFERENCE VALUE): 97pF/m CONDUCTOR RESISTANCE OF INNER CONDUCTOR AT 293K (REFERENCE VALUE): OD 1.13 TYPE...520 ohm/km OD 0.95 TYPE...752 ohm/km INSULATION RESISTANCE: OD1.13 TYPE...1500 Mega-ohm.km MIN. OD0.95 TYPE...1000 Mega-ohm.km MIN. DIELECTRIC WITHSTAND VOLTAGE: OD1.13 TYPE...NO BREAKDOWN AT AC1000V FOR 1 MINUTE. OD0.95 TYPE...NO BREAKDOWN AT AC500V FOR 1 MINUTE.	
BRAIDED SHIELD OF OUTER CONDUCTOR	SINGLE BRAIDED SHIELD	SINGLE BRAIDED SHIELD
PART NO. OF SEMI AUTO TERMINATION MACHINE	90600-013	90600-010
	※USE FOR POINT MICROMETER.	
CRIMP HEIGHT		
	CH-1 (i-Fit® PART) 1.07~1.11	CH-2 (SHIELD PART) 0.90~0.94
	CH-3 (JACKET PART) 1.16~1.20	CH-1 (i-Fit® PART) 1.04~1.08
	CH-2 (SHIELD PART) 0.92~0.96	CH-3 (JACKET PART) 1.16~1.20

Rev.7

# MHF® 4L plug Ni top (1.13,0.95)

PART NO.	20565-001R-83		
APPLICABLE CABLE STRIP DIMENSION			
	※DO NOT USE SOLDER COATED EITHER INNER OR OUTER CONDUCTOR CABLES.		
	<b>REQUIREMENTS</b> CHARACTERISTIC IMPEDANCE: 50 ohm BY TDR METHOD NOMINAL CAPACITANCE (REFERENCE VALUE): 96pF/m CONDUCTOR RESISTANCE OF INNER CONDUCTOR AT 293K (Reference value): 925 ohm/km INSULATION RESISTANCE: 1000 Mega-ohm.km MIN. DIELECTRIC WITH STANCE VOLTAGE: NO BREAKDOWN AT AC 1500V FOR 1 MINUTE.		
BRAIDED SHIELD OF OUTER CONDUCTOR	SINGLE BRAIDED SHIELD		
PART NO. OF SEMI AUTO TERMINATION MACHINE	90600-083		
	※USE FOR POINT MICROMETER.		
CRIMP HEIGHT			
	CH-1 (i-Fit® PART) 0.91~0.95	CH-2 (SHIELD PART) 0.84~0.88	CH-3 (JACKET PART) 0.82~0.86

Rev.7



# Accessories for MHF<sup>®</sup> 4L (1.13,0.95)



MHF 4 (4L) SMA ADAPTOR  
PART NO. 90449-001



MHF 4 (4L) INSPECTION CONNECTOR  
PART NO. 90449-003-01



FRONT SIDE



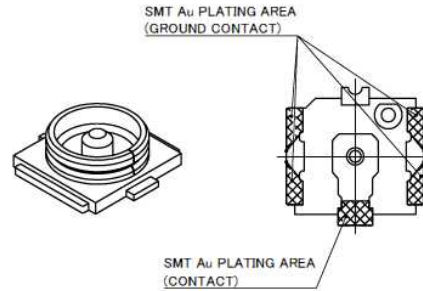
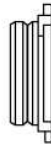
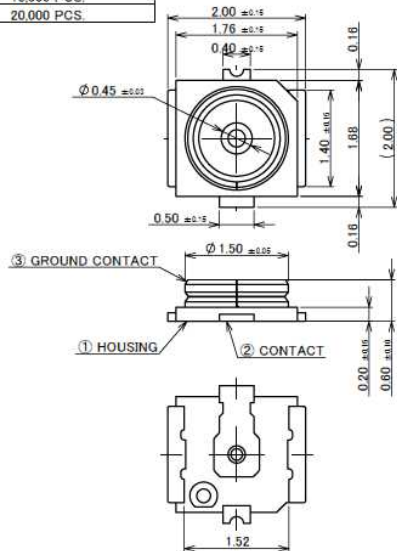
BACK SIDE

MHF 4L PUSHING AND PULLING TOOL  
PART NO. 90609-0001

Rev.7

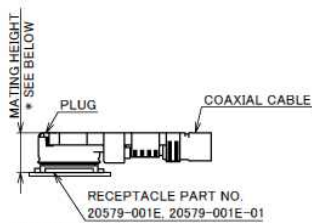
## MHF<sup>®</sup> 4L Receptacle

Recommended P/N	20579-001E
PART NO.	PACKING QUANTITY / REEL
20579-001E	10,000 PCS.
20579-001E-01	20,000 PCS.

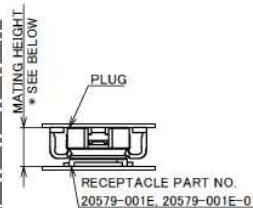


### NOTES

- APPLICABLE CONNECTOR (CABLE SIZE)  
 MHF 4 PLUG: 20611-001R (Φ0.81), 20448-00\*R-081 (Φ0.81), 20448-001R-081E (Φ0.81)  
 MHF 4L PLUG: 20572-001R-08 (Φ0.64, Φ0.81), 20565-001R-\*\* (Φ0.83, Φ0.95, Φ1.13), 20632-001R-37 (Φ1.37)  
 MHF 4 SMT PUG: 20462-001E  
 2. COPLANARITY: 0.1 mm MAX.



\* MATING HEIGHT  
 1.2 MAX. WITH 20611-001R, 20572-001R-08,  
 20448-00\*R-081, 20448-001R-081E  
 1.4 MAX. WITH 20565-001R-\*\*  
 1.7 MAX. WITH 20632-001R-37  
**MATING CONDITION**  
 WITH MHF 4/MHF 4L PLUG  
 (S = 10/1)



\* MATING HEIGHT  
 1.2 MAX. WITH 20462-001E  
**MATING CONDITION**  
 WITH MHF 4 SMT  
 (S = 10/1)

NO.	DESCRIPTION	MATERIAL	FINISH . REMARKS
3	GROUND CONTACT	PHOSPHOR BRONZE	ALL OVER Ni: 1.00 μm MIN. CONTACT PART: Au: 0.05 μm MIN. , SOLDERING PART Au AREA: 0.03 μm MIN.
2	CONTACT	BRASS	ALL OVER Ni: 1.00 μm MIN. CONTACT PART: Au: 0.05 μm MIN. SOLDERING PART Au AREA: 0.03 μm MIN.
1	HOUSING	LCP	UL94V-0, BLACK

Rev.8

# MHF® 4L Receptacle

FOR MHF 4L PLUG

ITEMS	SPECIFICATION	
	20572-001R-08 (CABLE Φ0.81 TYPE)	20565-001E-13 (CABLE Φ 1.13 TYPE)
APPLICABLE CONNECTOR PART No.		
RATING VOLTAGE	60 V AC (R.M.S)/DC	
RATING FREQUENCY	DC ~ 6GHz	
OPERATING TEMPERATURE	233~363 K(-40°C~+90°C)	
VSWR	1.3 MAX. AT DC~3GHz, 1.4 MAX. AT 3~6GHz, 1.85 MAX. AT 3~12GHz	
MAIN CONTACT RESISTANCE	INITIAL : 20 mohm MAX. / AFTER TEST : ΔR 20 mohm MAX.	
GROUND CONTACT RESISTANCE	INITIAL : 20 mohm MAX. / AFTER TEST : ΔR 20 mohm MAX.	
INSULATION RESISTANCE	INITIAL : 500 Mohm MIN. / AFTER TEST : 100 Mohm MIN.	
DIELECTRIC WITHSTANDING VOLTAGE	200 V AC 1 MINUTE	
DURABILITY	30 CYCLES	
MATING FORCE (INITIAL / AFTER TEST)	INITIAL : 30 N MAX. / AFTER TEST : 30 N MAX.	
UNMATING FORCE (INITIAL / AFTER TEST)	INITIAL : 20 N MAX. 5 N MIN. / AFTER TEST : 20 N MAX. 3 N MIN.	
PRODUCT SPECIFICATION	PRS-1907	
TEST REPORT	TR-14097	
PACKING STANDARD	20579-001E: PST-14004 20579-001E-01: PST-14067	
INSTRUCTION MANUAL	HIM-12011	HIM-12012

Rev.8

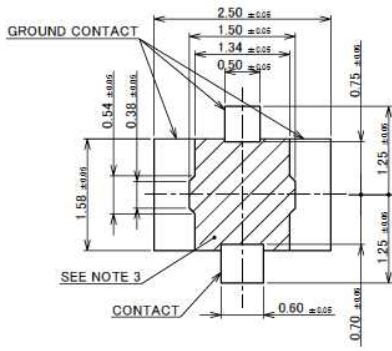
# MHF® 4L Receptacle

FOR MHF 4 SMT PLUG

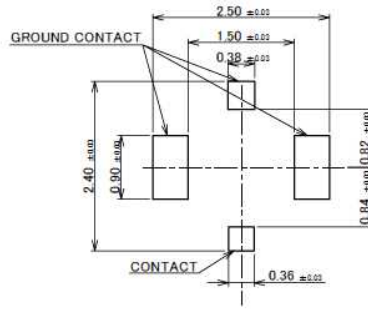
ITEMS	SPECIFICATION	
	20462-001E (MHF 4 SMT PLUG)	
APPLICABLE CONNECTOR PART No.		
RATING VOLTAGE	60 V AC (R.M.S)/DC	
RATING FREQUENCY	DC~6GHz	
OPERATING TEMPERATURE	233~363 K(-40°C~+90°C)	
VSWR	1.3 MAX. AT DC~3GHz, 1.4 MAX. AT 3~6GHz, 1.85 MAX. AT 3~12GHz	
MAIN CONTACT RESISTANCE	INITIAL : 20 mohm MAX. / AFTER TEST : ΔR 20 mohm MAX.	
GROUND CONTACT RESISTANCE	INITIAL : 20 mohm MAX. / AFTER TEST : ΔR 20 mohm MAX.	
INSULATION RESISTANCE	INITIAL : 500 Mohm MIN. AFTER TEST : 100 Mohm MIN.	
DIELECTRIC WITHSTANDING VOLTAGE	200 V AC 1 MINUTE	
DURABILITY	30 CYCLES	
MATING FORCE (INITIAL / AFTER TEST)	INITIAL : 30 N MAX. / AFTER TEST : 15 N MAX.	
UNMATING FORCE (INITIAL / AFTER TEST)	INITIAL : 4 N MIN. / AFTER TEST : 2 N MIN.	
PRODUCT SPECIFICATION	PRS-1404	
TEST REPORT	TR-08022	
PACKING STANDARD	20579-001E: PST-14004 20579-001E-01: PST-14067	

Rev.8

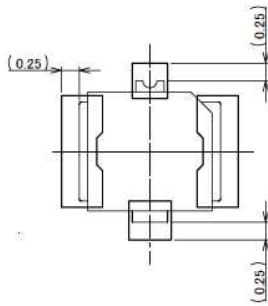
# MHF® 4L Receptacle



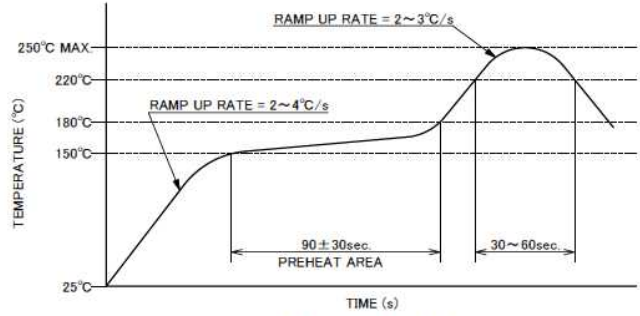
RECOMMENDED FOOTPRINT PATTERN



MASK THICKNESS: 0.12 mm  
RECOMMENDED METAL MASK LAYOUT



CONNECTOR ON RECOMMENDED FOOTPRINT PATTERN



REFLOW TEMPERATURE PROFILE  
SENJU METAL INDUSTRY CO., LTD. M705-SHF(Sn96.5 Ag3.0 Cu0.5)

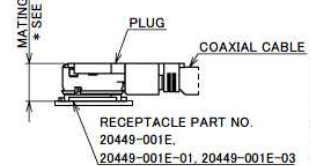
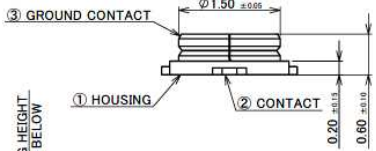
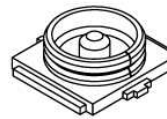
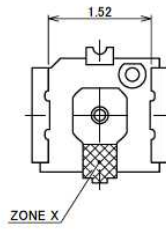
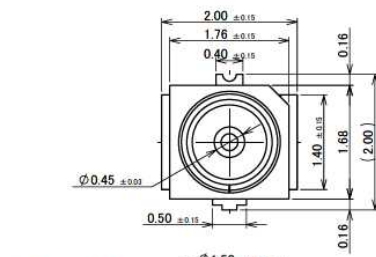
NOTE 3. CUT OUT PROHIBITION AREA.

Rev.8

# MHF® 4 Receptacle

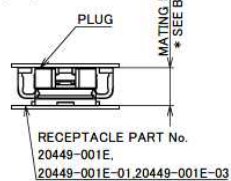
Recommended P/N 20449-001E-03

PART NO.	PACKING QUANTITY / REEL	CONTACT PLATING			GROUND CONTACT PLATING		
		CONTACT PART	SOLDERING PART	ALL OVER	CONTACT PART	SOLDERING PART	ALL OVER
20449-001E	10,000 PCS.	TOP: Au 0.05 μm MIN. ZONE X: Au 0.03 μm MIN.	TOP: Au 0.01 μm MIN.	Ni 1.00 μm MIN.	TOP: Au 0.03 μm MIN.	TOP: Au 0.01 μm MIN.	Ni 1.00 μm MIN.
20449-001E-01		TOP: Au 0.05 μm MIN.					
20449-001E-03		TOP: Au 0.01 μm MIN. MIDDLE: Pd-Ni 0.02 μm MIN.	TOP: Au 0.01 μm MIN. MIDDLE: Pd-Ni 0.02 μm MIN.		TOP: Au 0.01 μm MIN. MIDDLE: Pd-Ni 0.02 μm MIN.	TOP: Au 0.01 μm MIN. MIDDLE: Pd-Ni 0.02 μm MIN.	



\* MATING HEIGHT  
1.2 MAX. WITH 20611-001R, 20572-001R-08, 20448-00\*R-081, 20448-001R-081E  
1.4 MAX. WITH 20565-001R-\*\*  
1.7 MAX. WITH 20632-001R-37

MATING CONDITION  
WITH MHF 4/MHF 4L PLUG  
(S = 10/1)



\* MATING HEIGHT  
1.2 MAX. WITH 20462-001E

MATING CONDITION  
WITH MHF 4 SMT  
(S = 10/1)

## NOTES.

- APPLICABLE CONNECTOR (CABLE SIZE)  
MHF 4 PLUG: 20611-001R (Φ0.81), 20448-00\*R-081 (Φ0.81), 20448-001R-081E (Φ0.81)  
MHF 4L PLUG: 20572-001R-08 (Φ0.84, Φ0.81), 20565-001R-\*\* (Φ0.83, Φ0.95, Φ1.13), 20632-001R-37 (Φ1.37)  
MHF 4 SMT PLUG: 20462-001E
- COPLANARITY: 0.1 mm MAX.
- THIS IS "Pb-FREE" CONNECTOR.
- CHARACTERISTIC IMPEDANCE: 50 Ω (NOMINAL VALUE)

NO.	DESCRIPTION	MATERIAL	FINISH, REMARKS
3	GROUND CONTACT	PHOSPHOR BRONZE	SEE TABLE
2	CONTACT	BRASS	SEE TABLE
1	HOUSING	LCP	UL94V-0, BLACK

Confidential C

Rev.15

# MHF® 4 Receptacle

FOR MHF 4 PLUG

ITEMS	SPECIFICATION	
	20611-001R (CABLE Ø0.81 TYPE)	20448-001R (CABLE Ø0.81 TYPE)
APPLICABLE CONNECTOR PART No.		
RATING VOLTAGE	60 V AC (R.M.S)/DC	
RATING FREQUENCY	DC~9GHz	
OPERATING TEMPERATURE	233~363 K (-40°C~+90°C)	
CHARACTERISTIC IMPEDANCE	50 ohm (NOMINAL VALUE)	
VSWR	1.3 MAX. AT DC~3GHz, 1.4 MAX. AT 3~6GHz, 1.5 MAX. AT 6~9GHz	
MAIN CONTACT RESISTANCE	INITIAL : 20 mohm MAX. / AFTER TEST : ΔR 20 mohm MAX.	
GROUND CONTACT RESISTANCE	INITIAL : 20 mohm MAX. / AFTER TEST : ΔR 100 mohm MAX.	INITIAL : 20 mohm MAX. / AFTER TEST : ΔR 20 mohm MAX.
INSULATION RESISTANCE	INITIAL : 500 Mohm MIN. / AFTER TEST : 100 Mohm MIN.	
DIELECTRIC WITHSTANDING VOLTAGE	200 V AC 1 MINUTE	
DURABILITY	30 CYCLES	
MATING FORCE (INITIAL / AFTER TEST)	-	
UNMATING FORCE (INITIAL / AFTER TEST)	INITIAL : 4 N MIN. / AFTER TEST : 2 N MIN.	
PRODUCT SPECIFICATION	PRS-2530	PRS-1745
TEST REPORT	TR-18086	TR-12118
PACKING STANDARD	20449-001E-03: 300-604	
INSTRUCTION MANUAL	HIM-10003	
APPEARANCE CRITERIA No.	QLS-A***	

Rev.15

# MHF® 4 Receptacle

FOR MHF 4L PLUG

ITEMS	SPECIFICATION			
	20572-001R-08 (CABLE Ø0.64 TYPE) (CABLE Ø0.81 TYPE)	20565-001E-13 (CABLE Ø0.95 TYPE) (CABLE Ø1.13 TYPE)	20565-001R-83 (CABLE Ø0.83 TYPE)	20632-001R-37 (CABLE Ø1.37 TYPE)
APPLICABLE CONNECTOR PART No.				
RATING VOLTAGE	60 V AC (R.M.S)/DC			
RATING FREQUENCY	DC ~ 9GHz			
OPERATING TEMPERATURE	233~363 K (-40°C~+90°C)			
CHARACTERISTIC IMPEDANCE	50 ohm (NOMINAL VALUE)			
VSWR	1.3 MAX. AT DC~3GHz, 1.4 MAX. AT 3~6GHz, 1.5 MAX. AT 6~9GHz			
MAIN CONTACT RESISTANCE	INITIAL : 20 mohm MAX. / AFTER TEST : ΔR 20 mohm MAX.			
GROUND CONTACT RESISTANCE	INITIAL : 20 mohm MAX. / AFTER TEST : ΔR 20 mohm MAX.			
INSULATION RESISTANCE	INITIAL : 500 Mohm MIN. / AFTER TEST : 100 Mohm MIN.			
DIELECTRIC WITHSTANDING VOLTAGE	200 V AC 1 MINUTE			
DURABILITY	30 CYCLES			
MATING FORCE (INITIAL / AFTER TEST)	INITIAL : 30 N MAX. / AFTER TEST : 30 N MAX.			
UNMATING FORCE (INITIAL / AFTER TEST)	INITIAL : 20 N MAX. 5 N MIN. / AFTER TEST : 20 N MAX. 3 N MIN.			
PRODUCT SPECIFICATION	PRS-1944 (CABLE Ø0.64 TYPE) PRS-1772 (CABLE Ø0.81 TYPE)	PRS-2051 (CABLE Ø0.95 TYPE) PRS-1772 (CABLE Ø1.13 TYPE)	PRS-2062 (CABLE Ø0.83 TYPE)	PRS-2008 (CABLE Ø1.37 TYPE)
TEST REPORT	TR-14078 (CABLE Ø0.64 TYPE) TR-13011 (CABLE Ø0.81 TYPE)	TR-14142 (CABLE Ø0.95 TYPE) TR-13011 (CABLE Ø1.13 TYPE)	TR-15011 (CABLE Ø0.83 TYPE)	TR-14100 (CABLE Ø1.37 TYPE)
PACKING STANDARD	20449-001E-03: 300-604			
INSTRUCTION MANUAL	HIM-12011	HIM-12012	HIM-16011	
APPEARANCE CRITERIA No.	QLS-A***			

Rev.15



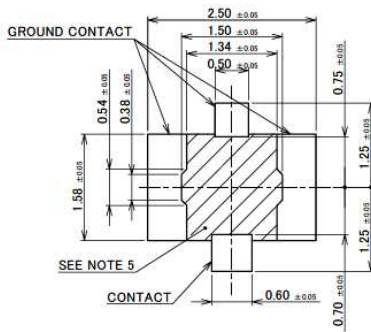
# MHF<sup>®</sup> 4 Receptacle

FOR MHF 4 SMT PLUG

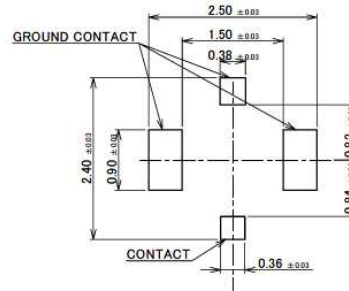
ITEMS	SPECIFICATION
APPLICABLE CONNECTOR PART No.	20462-001E (MHF 4 SMT PLUG)
RATING VOLTAGE	60 V AC (R.M.S)/DC
RATING FREQUENCY	DC~9GHz
OPERATING TEMPERATURE	233~363 K (-40°C~+90°C)
CHARACTERISTIC IMPEDANCE	50 ohm (NOMINAL VALUE)
VSWR	1.3 MAX. AT DC~3GHz, 1.4 MAX. AT 3~6GHz, 1.5 MAX. AT 6~9GHz
MAIN CONTACT RESISTANCE	INITIAL : 20 mohm MAX. / AFTER TEST : $\Delta$ R 20 mohm MAX.
GROUND CONTACT RESISTANCE	INITIAL : 20 mohm MAX. / AFTER TEST : $\Delta$ R 20 mohm MAX.
INSULATION RESISTANCE	INITIAL : 500 Mohm MIN. / AFTER TEST : 100 Mohm MIN.
DIELECTRIC WITHSTANDING VOLTAGE	200 V AC 1 MINUTE
DURABILITY	30 CYCLES
MATING FORCE (INITIAL / AFTER TEST)	INITIAL : 30 N MAX. / AFTER TEST : 15 N MAX.
UNMATING FORCE (INITIAL / AFTER TEST)	INITIAL : 4 N MIN. / AFTER TEST : 2 N MIN.
PRODUCT SPECIFICATION	PRS-1404
TEST REPORT	TR-08022
PACKING STANDARD	20449-001E-03: 300-604
INSTRUCTION MANUAL	HIM-15005
APPEARANCE CRITERIA No.	QLS-A***

Rev.15

# MHF<sup>®</sup> 4 Receptacle

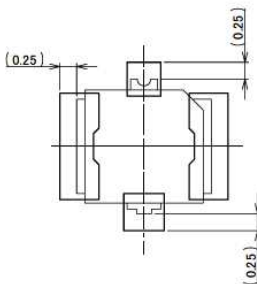


RECOMMENDED FOOTPRINT PATTERN

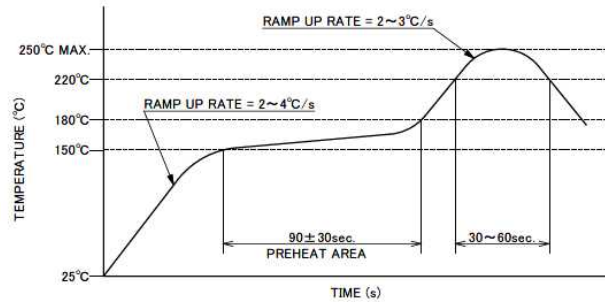


MASK THICKNESS: 0.12 mm

RECOMMENDED METAL MASK LAYOUT



CONNECTOR ON RECOMMENDED FOOTPRINT PATTERN



NOTE 5. CUT OUT PROHIBITION AREA.

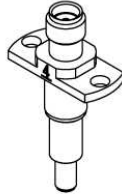
Confidential C

Rev.15

# Accessories for MHF® 4L Receptacle



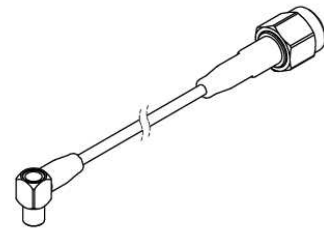
MHF 4 (4L) SMA ADAPTOR  
PART NO. 90449-002



MHF 4 SMA ADAPTOR HIGH CYCLE TYPE  
PART NO. 90688-0001



MHF 4 RECEPTACLE NARROW PITCH  
SMA ADAPTOR HIGH CYCLE TYPE  
PART NO. 90576-0001



4.5MM HIGH CYCLE TEST PROBE CABLE ASS'Y  
PART NO. 90577-\*\*\*\*

\* 90576-0001 AND 90577-\*\*\*\* SHOULD BE USED TOGETHER.

Rev.15



Copyright © I-PEX Inc. 2020. All rights reserved.

I-PEX, MHF, CABLINE, NOVASTACK, EVAFLEX, MINIFLEX, ISH, IARP, IASLP, ESTORQ, i-Fit and ISFIT are registered trademarks of I-PEX Inc. Please note that the contents in the catalog might be changed without prior notification. I-PEX Inc. assumes no responsibility for any inaccuracies or obligation to update Information on these documents. Please be sure to read and understand the latest "Precautions for Use" and "Instruction Manual" before you use our products. We shall not be responsible for any defects, damages or troubles in case you use our products without following the precautions for use. Please feel free to contact our sales representatives when you use our products for any applications that require very high reliability and safety, or that relate to human life (ex. nuclear power control, aerospace, transportation, medical equipment, safety equipment etc.).

Contact your sales representative for more detailed information. [ [i-pex.com](http://i-pex.com) ]

202101R0