

# MHF<sup>®</sup>-SW23 PLUG

極細RF同軸線公座，搭配MHF-SW 23 RF開關PCB母座

## Product Specifications:

Mated Height (mm max.)	3.7	
Rece. SMT Size (mm)	2.3 x 2.3	
Applicable Frequency	DC ~ 6GHz	
Characteristic Impedance	50 ohm	
VSWR (L=100 mm)	DC~3 GHz	1.4 max.
	3~6 GHz	1.6 max.

## Applicable Cable Size:

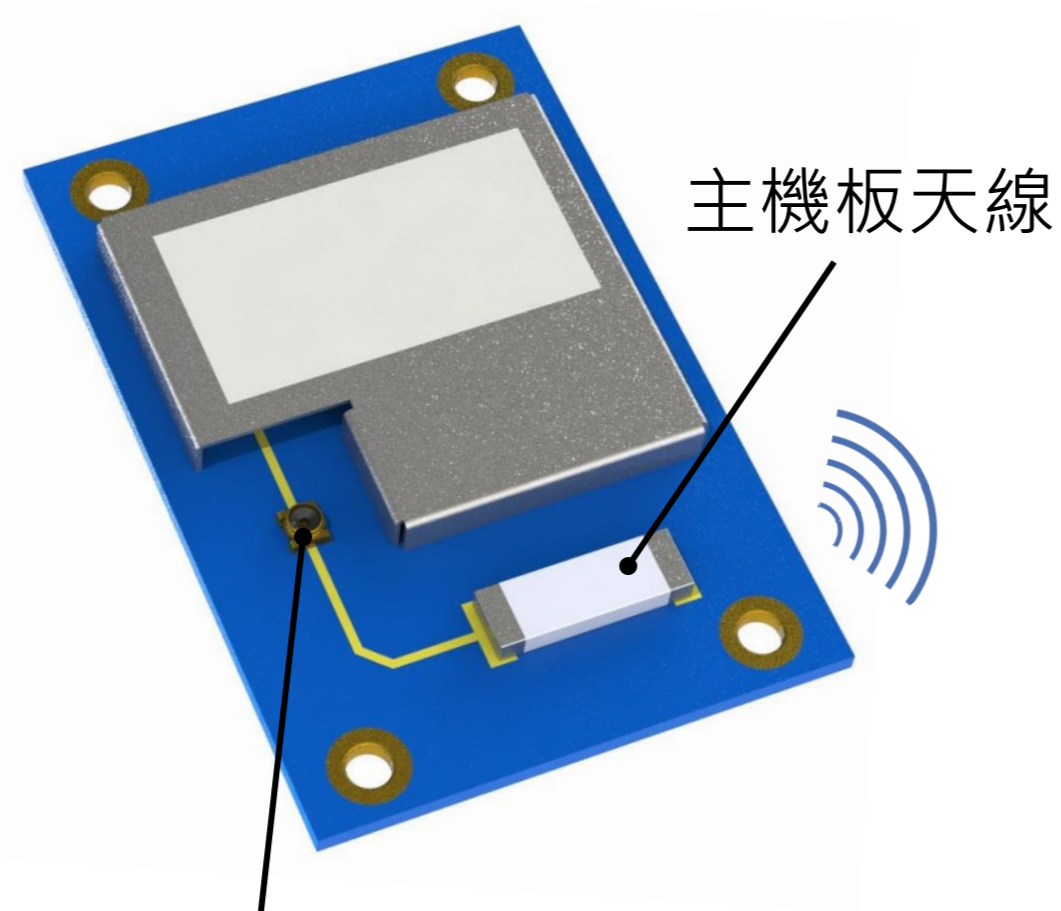
O.D. 1.13 mm / AWG 32

## Applicable Standards (Reference Only):

5G sub-6, Wi-Fi 6, LTE/LTE-Advanced, LPWA, Bluetooth, GPS



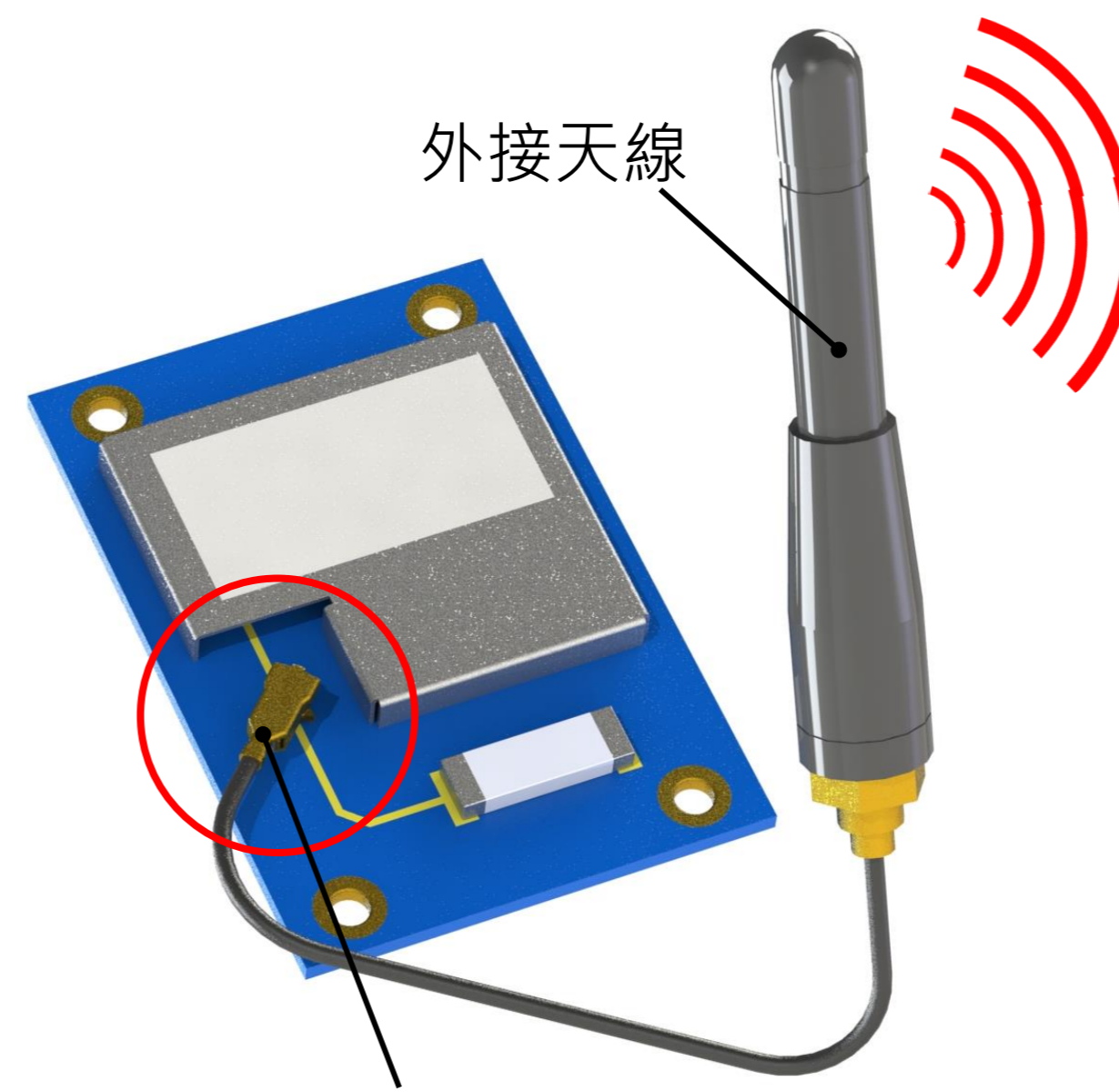
## ▶ 可靈活選擇主機板天線或外接天線



MHF<sup>®</sup>-SW23 (RF 開關)

主機板天線

or



MHF<sup>®</sup>-SW23公座 & MHF<sup>®</sup>-SW23

外接天線

## ▶ 匹配RF開關連接器的新選擇



RF開關連接器  
MHF<sup>®</sup>-SW23

MHF<sup>®</sup>-SW23

公座線束



用於天線連接

線纜探針

摩擦鎖扣



高循環使用系列

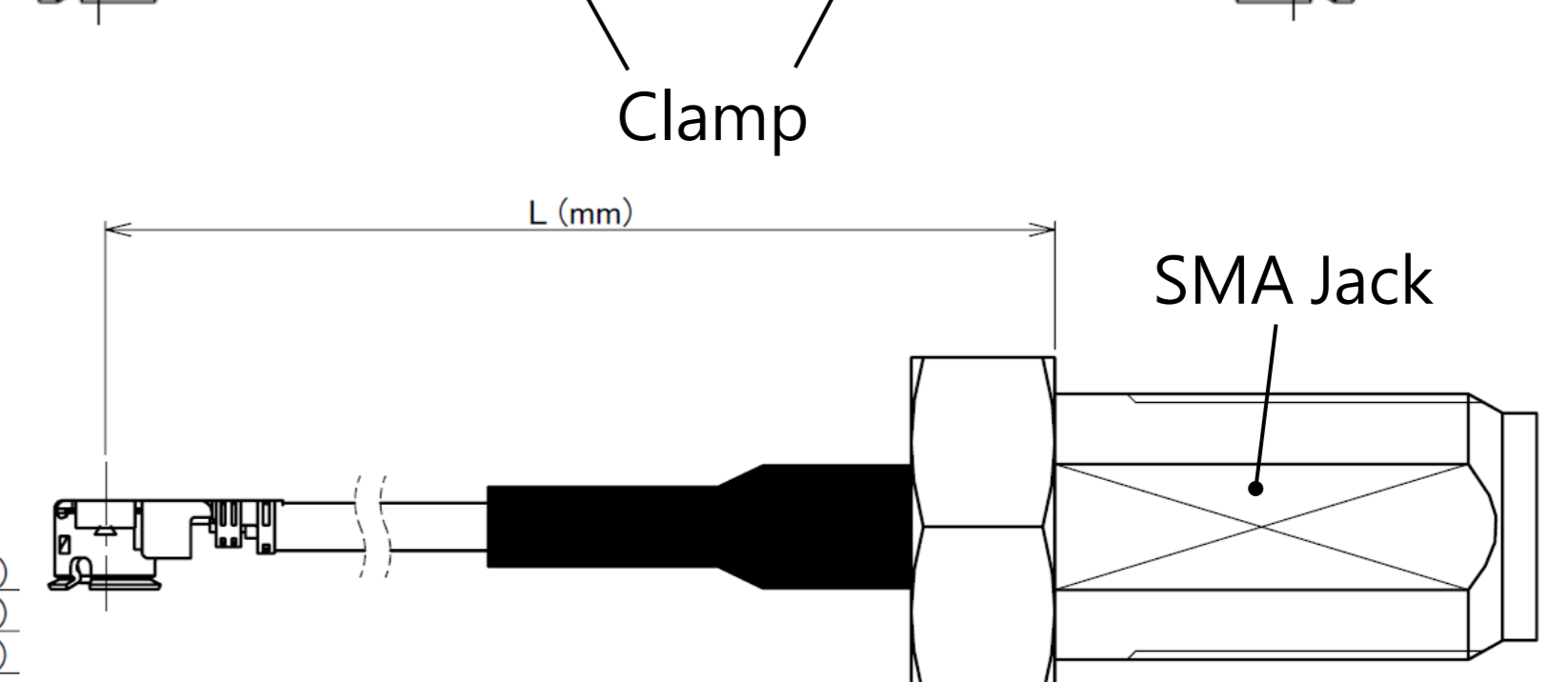
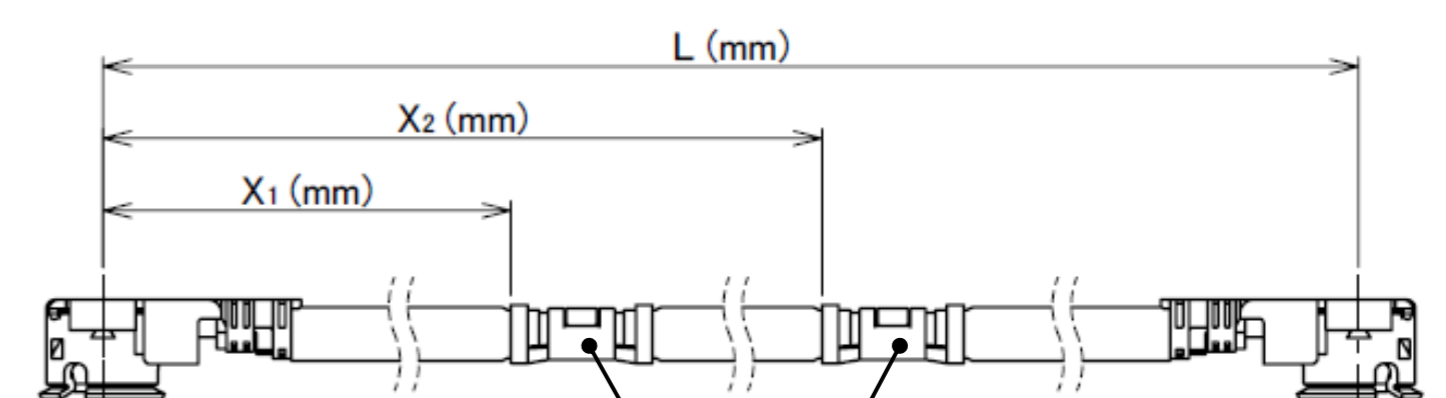
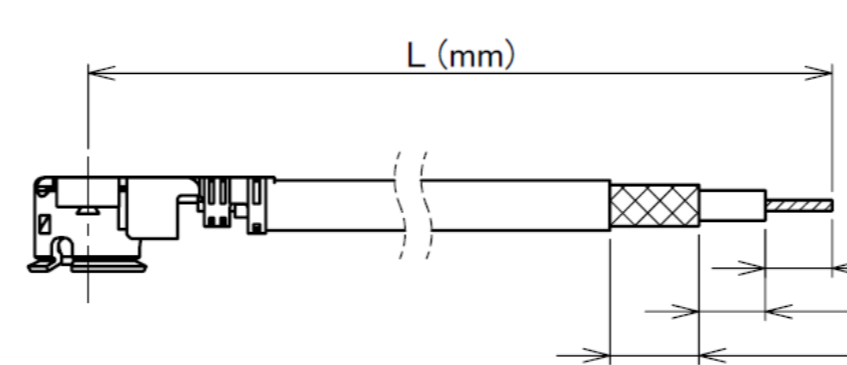
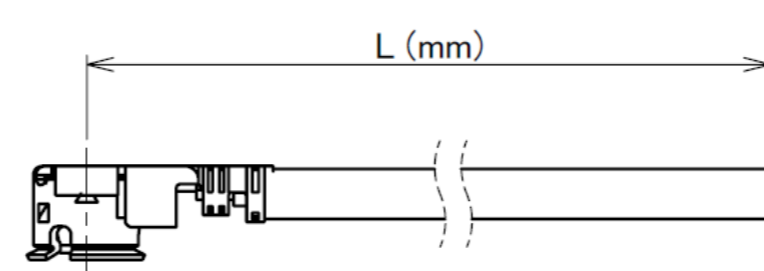
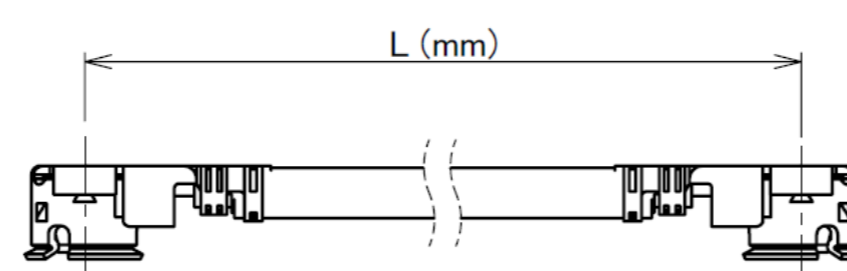
普通探針

浮動探針



SMA適配器

## ▶ 適用的線束配置



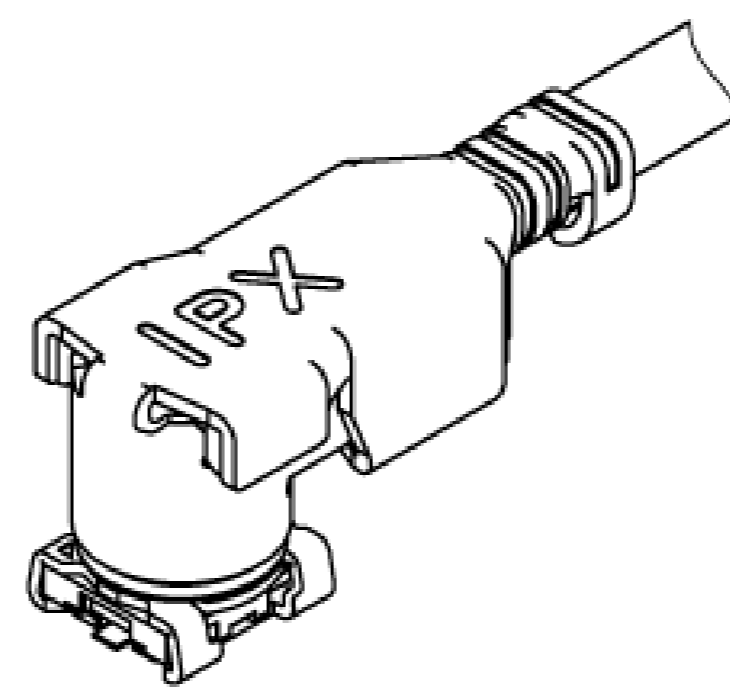
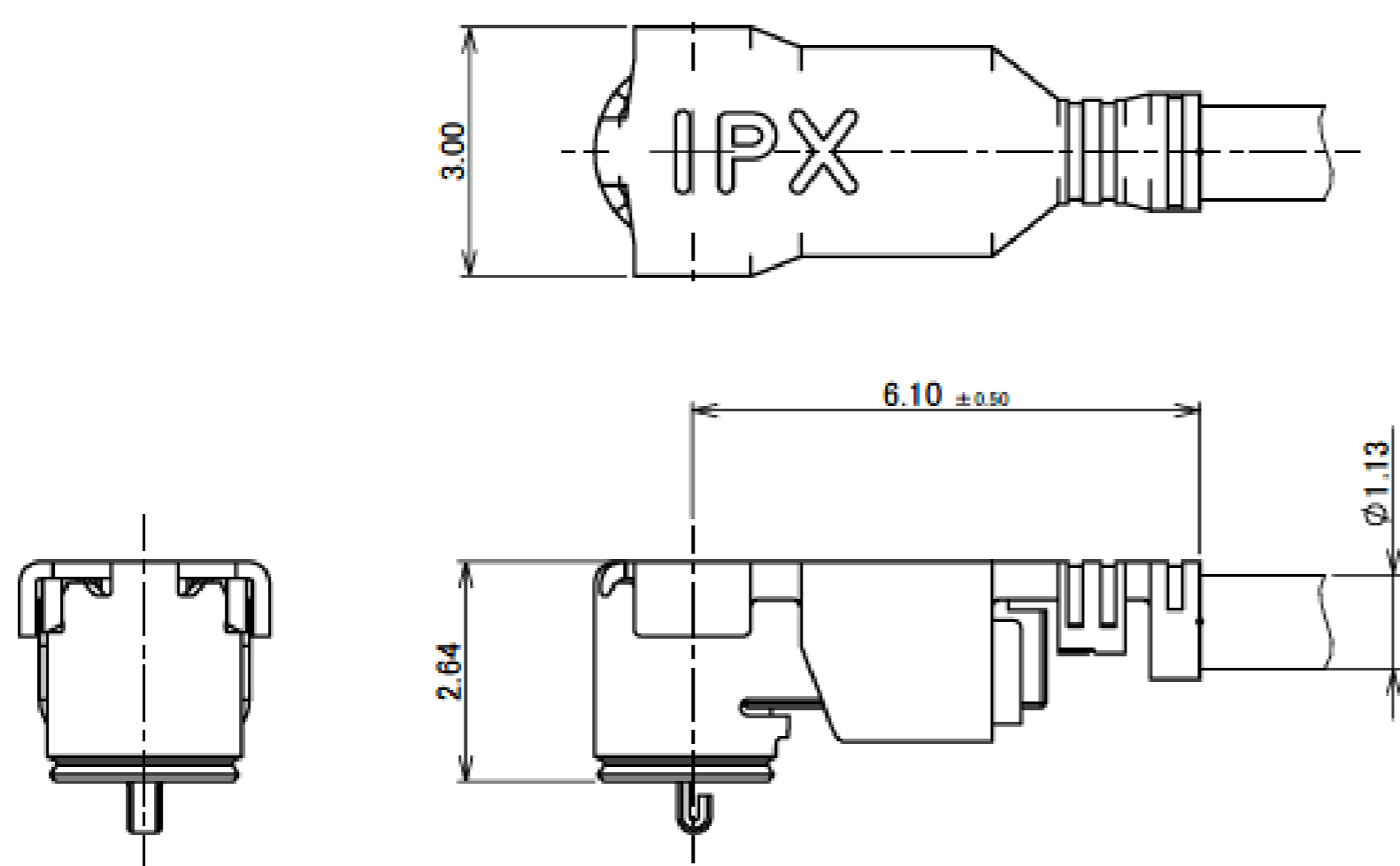
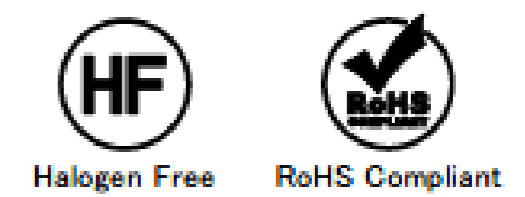


# Component Parts Details

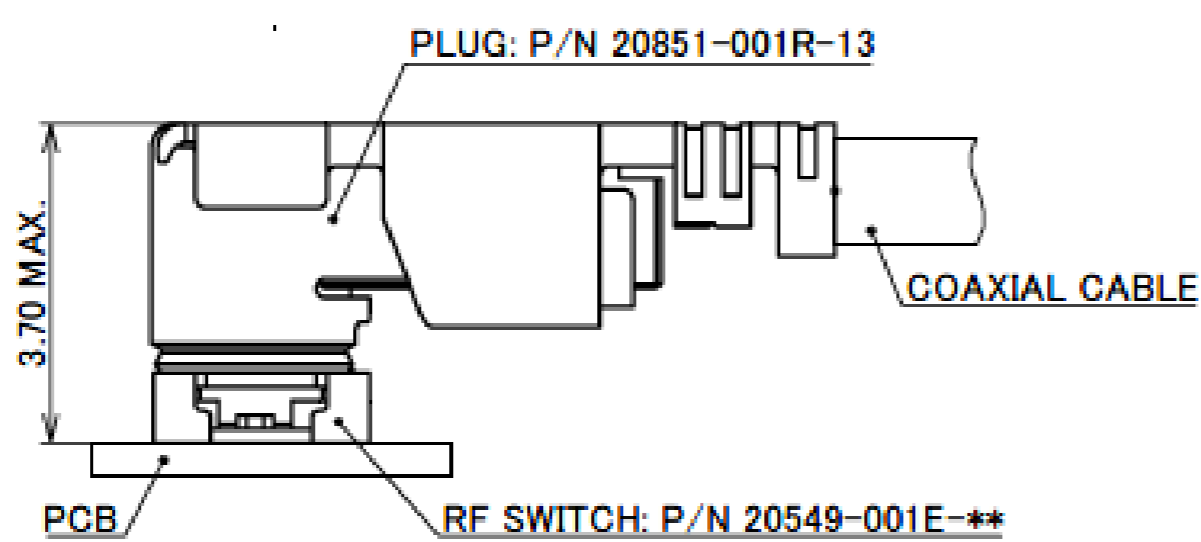
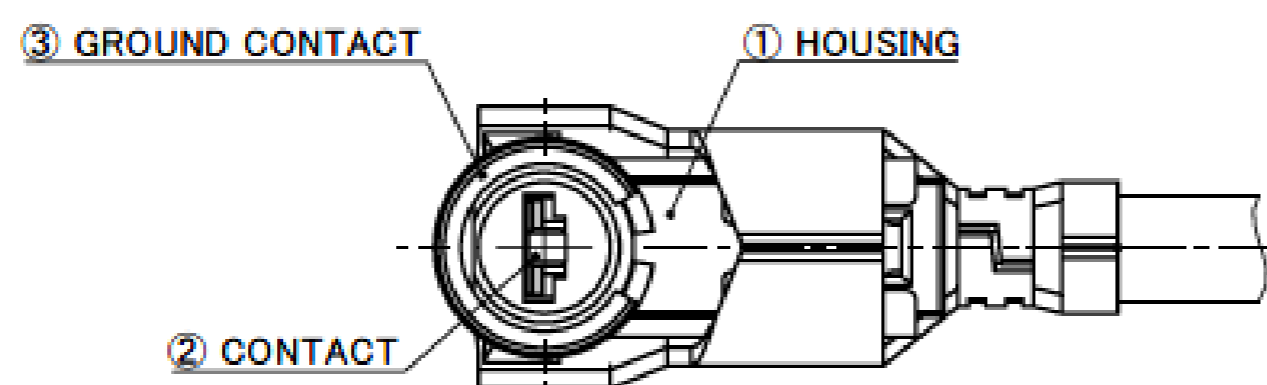
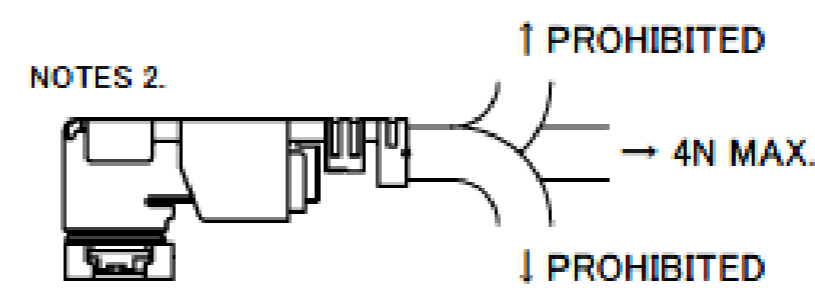
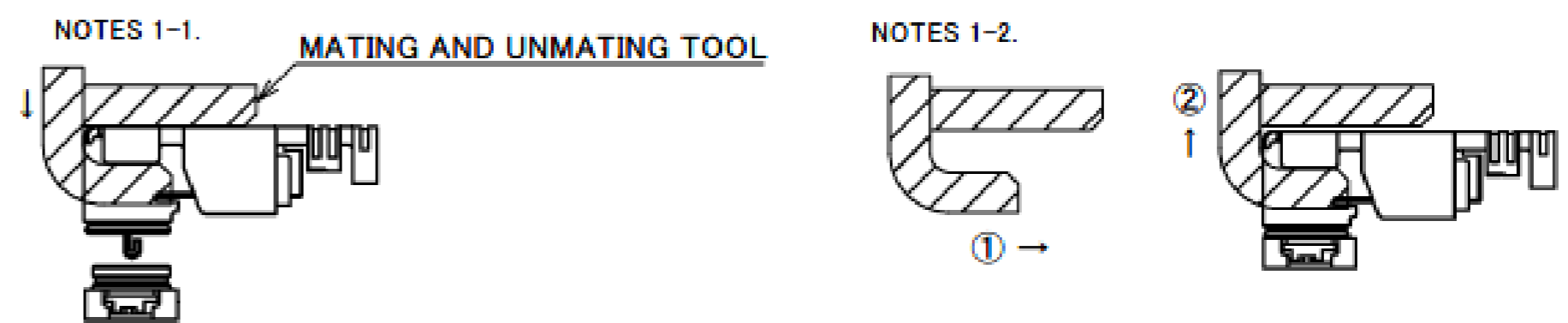
## MHF®-SW23 PLUG

Recommended P/N	20851-001R
PART No.	20851-001R

Offered as harness only.



NOTES  
 1. MATING AND UNMATING INSTRUCTION  
 1-1. MATING  
 MATE THE CONNECTOR VERTICALLY AS MUCH AS POSSIBLE, ADJUSTING THE MATING AXIS OF PLUG AND SWITCH. DO NOT SLANT MATE.  
 1-2. UNMATING  
 USE THE MATING AND UNMATING TOOL (PART NO. 91396-0001) AS THE FOLLOWING DRAWING, AND PULL PLUG TO VERTICAL DIRECTION AS DIRECTLY AS POSSIBLE.  
 2. PERMISSIBLE LOAD OF CABLE AT MATING.



MATING CONDITION

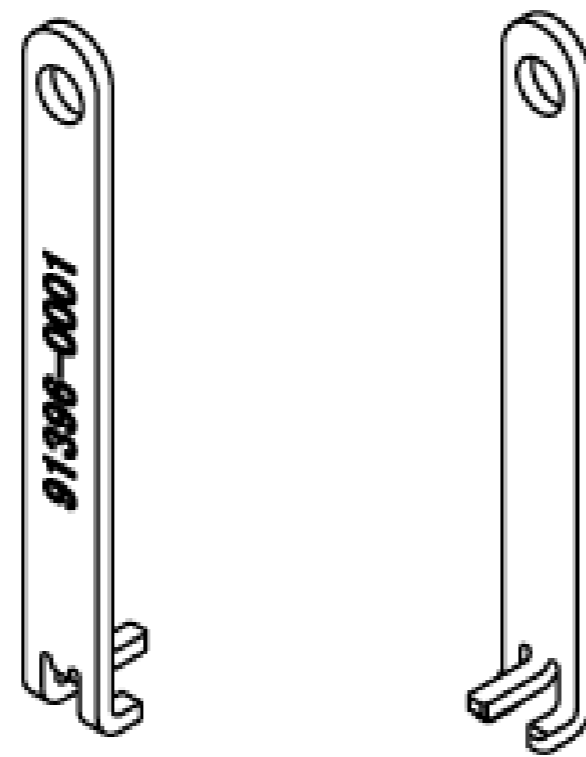
NO.	DESCRIPTION	MATERIAL	FINISH . REMARKS
3	GROUND CONTACT	PHOSPHOR BRONZE	Au OVER Ni
2	CONTACT	PHOSPHOR BRONZE	Au OVER Ni
1	HOUSING	LCP	UL94V-0, BLACK

# MHF®-SW23 PLUG

ITEMS	SPECIFICATION
APPLICABLE CONNECTOR PART No.	20549-001E-**
RATING FREQUENCY	DC~6GHz
OPERATING TEMPERATURE	233~358K(-40°C~+85°C)
OPERATING HUMIDITY	90% MAX.(NON-CONDENSING)
VSWR	1.4 MAX. AT 0.1~3 GHz 1.6 MAX. AT 3~6 GHz
MAIN CONTACT RESISTANCE	INITIAL : 100 mohm MAX. / AFTER TEST : 100 mohm MAX.
GROUND CONTACT RESISTANCE	INITIAL : 100 mohm MAX. / AFTER TEST : 100 mohm MAX.
INSULATION RESISTANCE	INITIAL : 1000 Mohm MIN. / AFTER TEST : 10 Mohm MIN.
DIELECTRIC WITHSTANDING VOLTAGE	AC 200 V 1min
DURABILITY	30 CYCLES
UNMATING FORCE (INITIAL / AFTER TEST)	5 N MIN. / 3 N MIN.
CRIMP STRENGTH	10 N MIN.
PRODUCT SPECIFICATION	PRS-2522
TEST REPORT	TR-18076
PACKING STANDARD	PST-19024
INSTRUCTION MANUAL	HIM-18020
APPEARANCE CRITERIA No.	QLS-A***

Rev.1

## Accessories for MHF®-SW23 PLUG



MHF-SW23 PLUG MATING AND UNMATING TOOL  
PART NO. 91396-0001

Rev.1



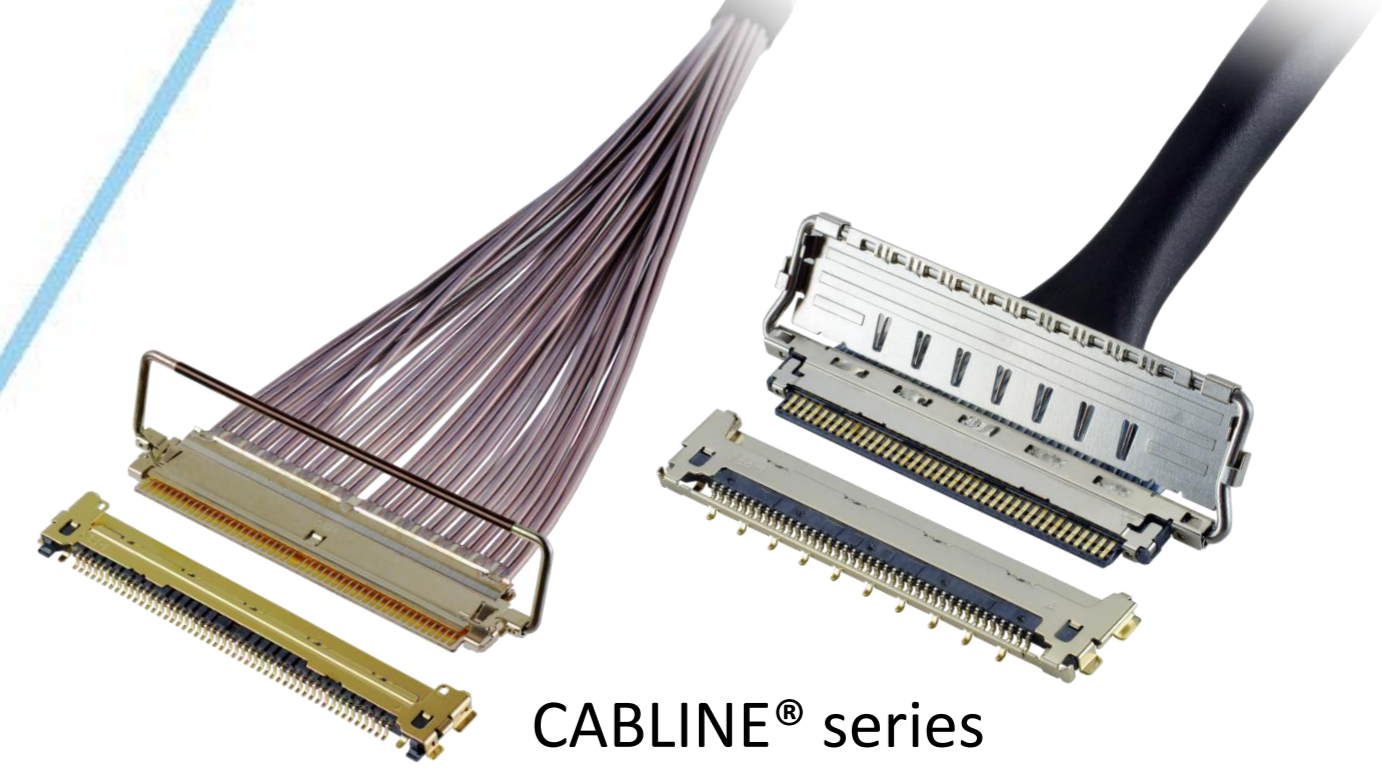
# Custom Products Available

## RF Connector

MHF® series



## Micro-coaxial/Twinax/ Discrete Wire Connector



CABLIN® series

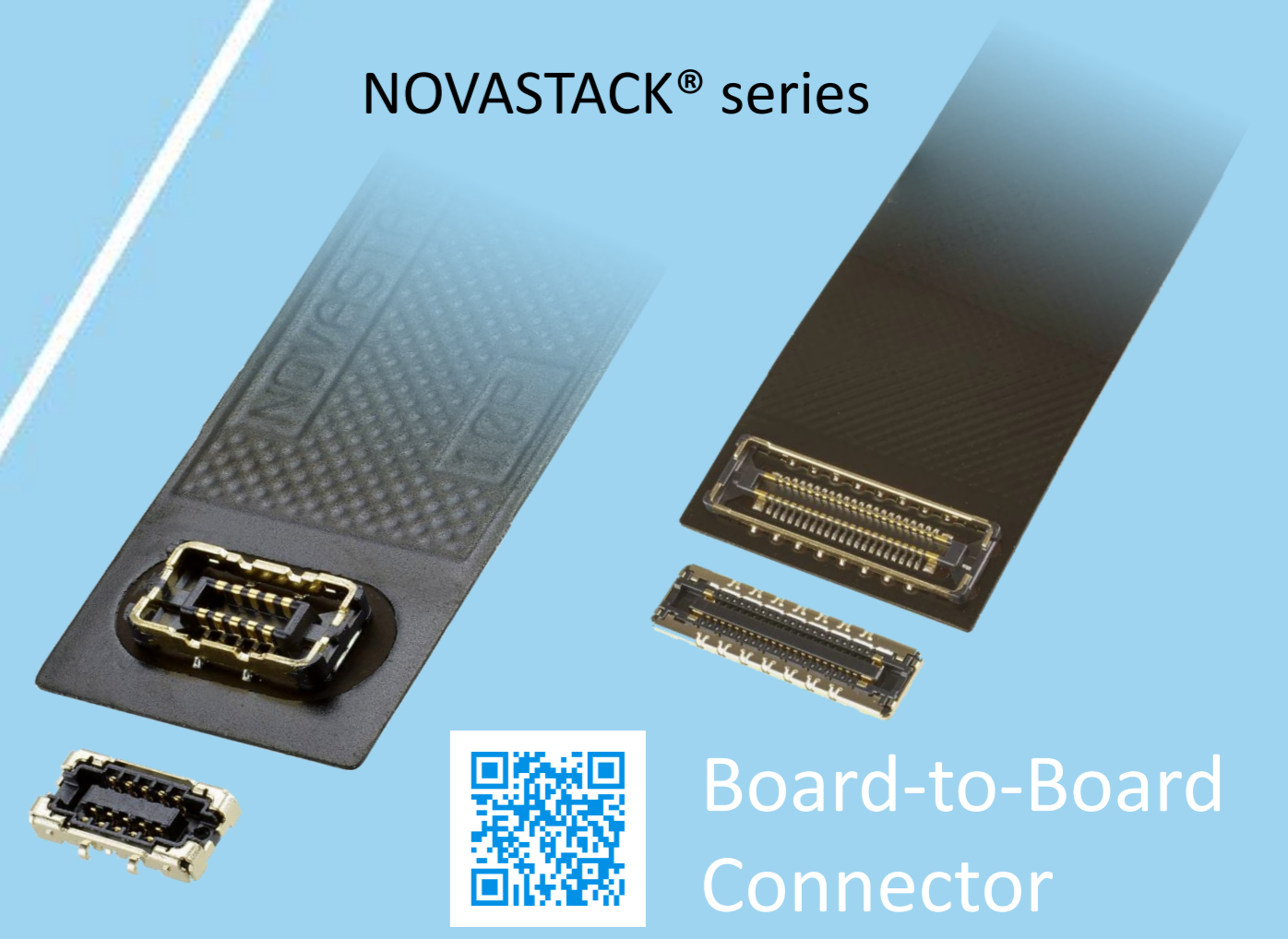


## Optical Module

LIGHTPASS® series



NOVASTACK® series



## Board-to-Board Connector



## Power Connector/ Terminal

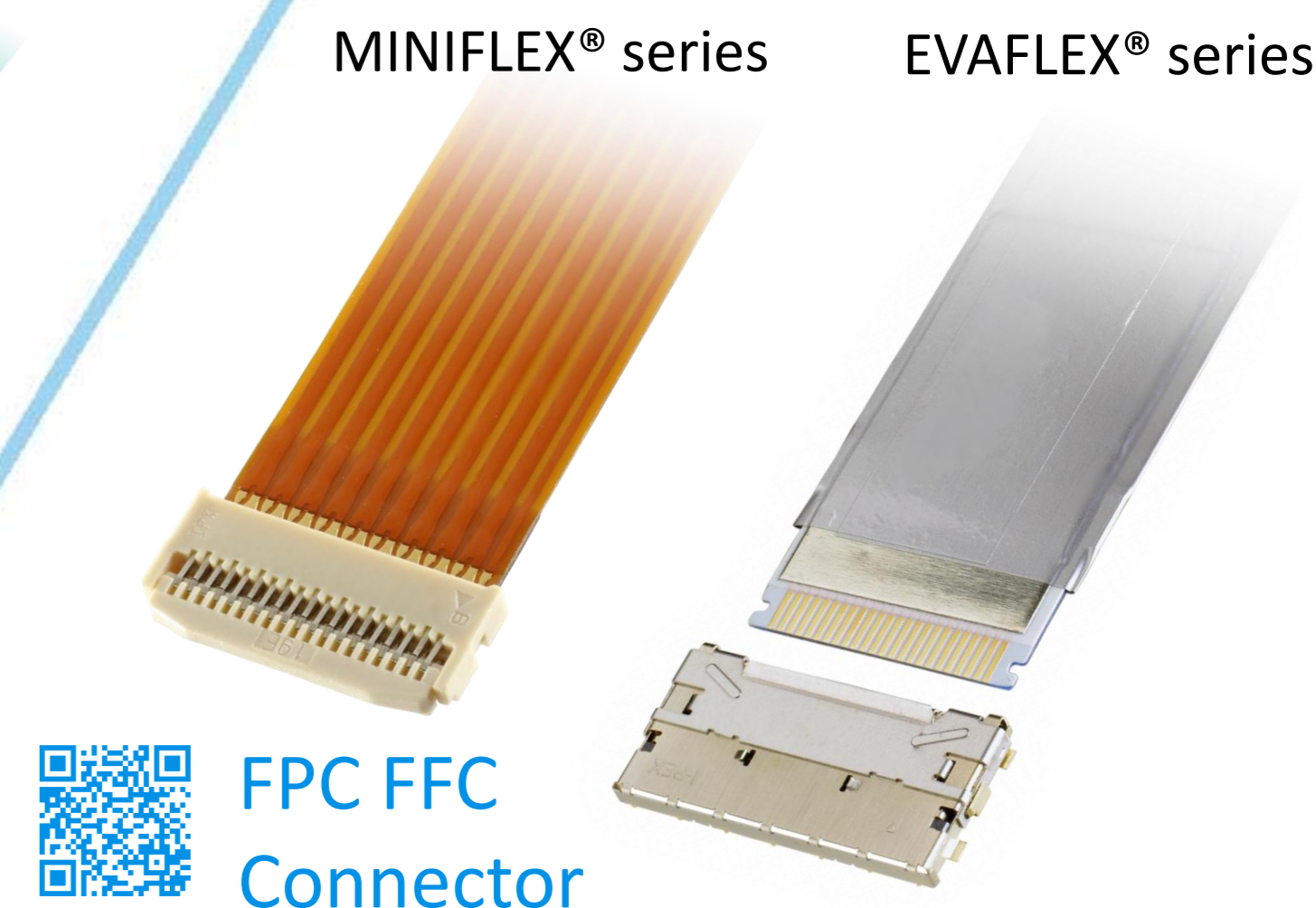
AP series

ISH® series



MINIFLEX® series

EVAFLEX® series



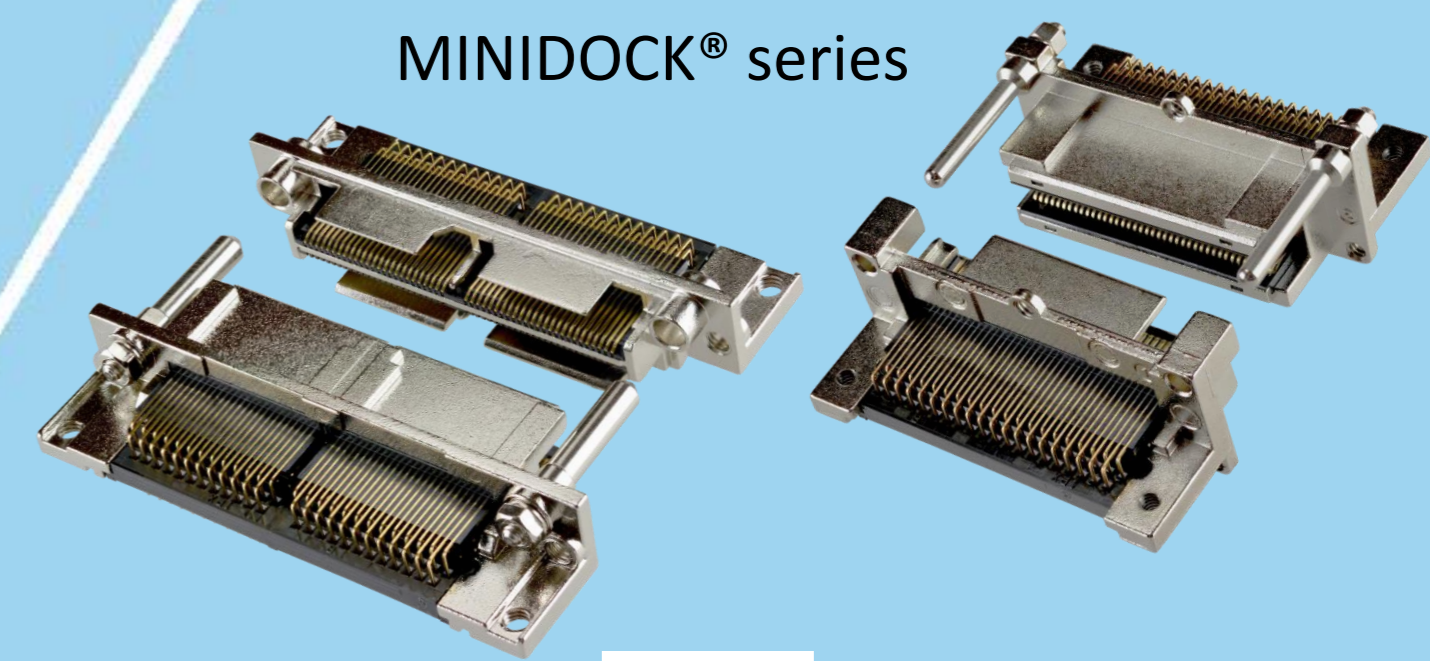
## FPC FFC Connector



Inquiry



MINIDOCK® series



## I/O Connector

I-PEX, MHF, CABLINE, LIGHTPASS, NOVASTACK, ISH, IARPB, MINIFLEX, EVAFLEX, MINIDOCKS and ZenShield are registered trademarks of I-PEX Inc. Please note that the contents in the catalog might be changed without prior notification. I-PEX Inc. assumes no responsibility for any inaccuracies or obligation to update information on these documents. Please be sure to read and understand the latest "Precautions for Use" and "Instruction Manual" before you use our products. We shall not be responsible for any defects, damages or troubles in case you use our products without following the precautions for use. Please feel free to contact our sales representatives when you use our products for any applications that require very high reliability and safety, or that relate to human life (ex. nuclear power control, aerospace, transportation, medical equipment, safety equipment etc.).

Contact your sales representative or more detailed information.

[www.i-pex.com](http://www.i-pex.com)



# I-PEX

© I-PEX Inc. 2024  
All rights reserved