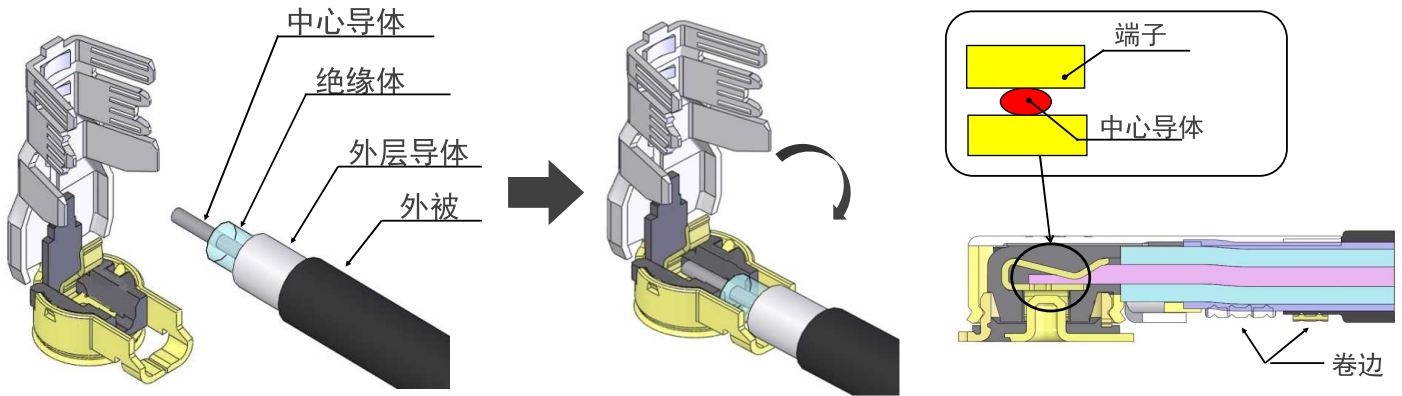




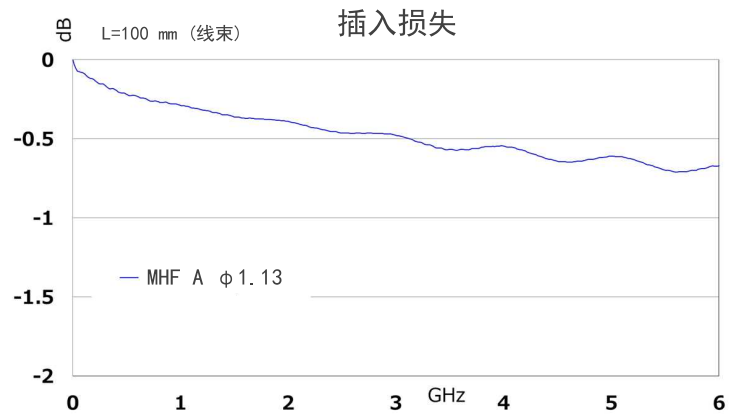
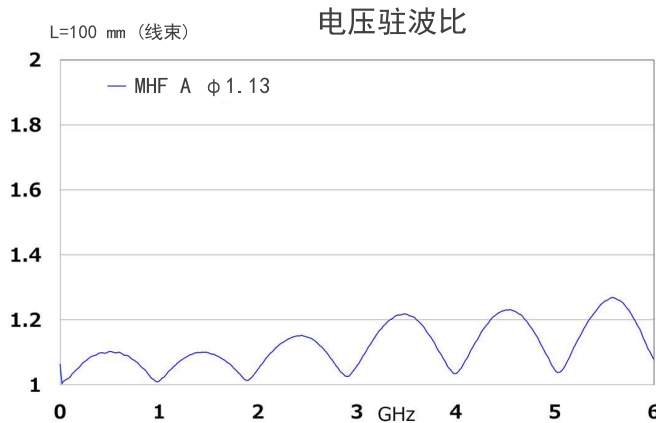
- ✓使用 “i-Fit[®]” 技术的无需焊接极细同轴线连结
- ✓对应 6 GHz 的高性能小型连接器
- ✓MHF[®]-A 公座适用的极细同轴线外径 (AWG) : 1.13 mm (32)

Maximum height (mm)	1.45	
Outside dimension of receptacle(mm)	3.0 x 3.0	
Applicable wire gauge	O.D. 1.13 mm / AWG 32	
Frequency	DC~6 GHz	
VSWR (L=100 mm)	DC~3 GHz	1.3 max.
	3 GHz~6 GHz	1.5 max.
	6 GHz~9 GHz	-
	9 GHz~12 GHz	-
12 GHz~15 GHz	-	
Service temp. (Celsius)	-40 degree ~ +90 degree	
Characteristic impedance	50 ohm	
Rated voltage	AC60V	
Contact resistance	20m ohm max.	
Withstand voltage	AC200V/min	
Insulation resistance	500M ohm min./DC100V	

使用 “i-Fit[®]” 技术的无焊接极细同轴线连结



对应 6 GHz 的高性能小型连接器



MHF[®]-A 公座适用的极细同轴线外径 (AWG) : 1.13 mm (32)

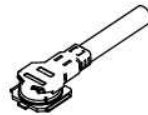
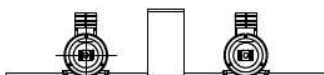
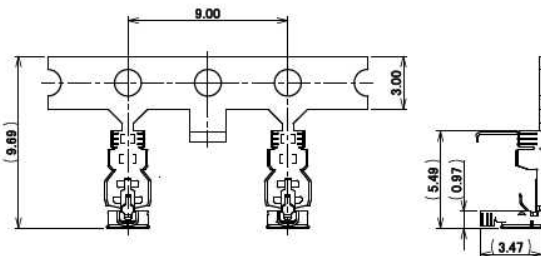
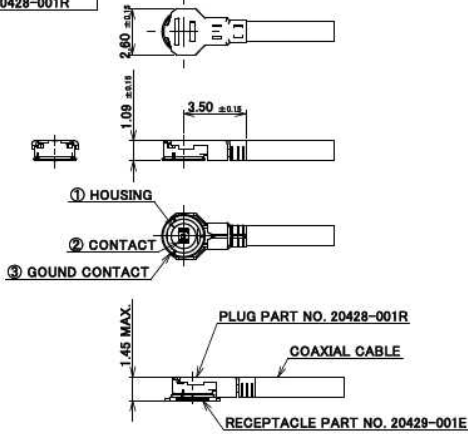
同轴线外径 (中心导体 AWG)	组合高度 最大 1.45 mm
2.00 mm (26)	
1.80 mm (30)	
1.37 mm (30)	
1.32 mm (32)	
1.13 mm (32)	○
0.95 mm (33)	
0.81 mm (33)	
0.81 mm (36)	
0.64 mm (36)	
0.48 mm (38)	
公座	MHF A公座

MHF[®]-A

Component Parts Detail

MHF[®]-A plug

Recommended P/N	20428-001R
PART NO.	20428-001R



NOTES

1. APPLICABLE CONNECTOR: 20428-001E
2. PERMISSIBLE LOAD OF CABLE AT MATING.
3. SUGGESTIONS FOR MATING & UNMATING OPERATION.

3-1. MATING

PLEASE MATE THE CONNECTOR STRAIGHTLY TO VERTICAL DIRECTION AS MUCH AS POSSIBLE, ADJUSTING THE MATING AXIS OF PLUG AND RECEPTACLE.

AS EXCESSIVE SLANT ANGLE MATING MAY BREAK THE CONNECTOR, PLEASE DON'T DO IT.

3-2. UNMATING

3-2-1.

IN CASE OF UNMATING BY PULLING TOOL.

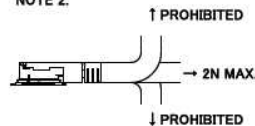
PLEASE USE THE PULLING TOOL AS THE FOLLOWING DRAWING, AND PLEASE PULL PLUG TO VERTICAL DIRECTION AS DIRECTLY AS POSSIBLE.

3-2-2.

IN CASE OF UNMATING DIRECTLY BY HAND.

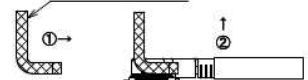
PLEASE CATCH THE CATCHING AREA OF PLUG, AND PLEASE PULL PLUG TO VERTICAL DIRECTION AS DIRECTLY AS POSSIBLE.

NOTE 2.



NOTE 3-2-1.

PULLING TOOL
PART NO. 90411-001



NOTE 3-2-2.

CATCHING AREA



NO.	DESCRIPTION	MATERIAL	FINISH, REMARKS
3	GROUND CONTACT	PHOSPHOR BRONZE	ALL OVER Ni 1.00 μm MIN. CONTACT PART Au 0.05 μm MIN.
2	CONTACT	PHOSPHOR BRONZE	ALL OVER Ni 1.00 μm MIN. CONTACT PART Au 0.1 μm MIN.
1	HOUSING	PBT	UL94V-0, BLACK

MHF[®]-A plug

ITEMS	SPECIFICATION
APPLICABLE CONNECTOR PART No.	20429-001R
RATING VOLTAGE	80 V AC (R.M.S)
RATING FREQUENCY	DC~6 GHz
OPERATING TEMPERATURE	233~363 K (-40°C~+90°C)
VSWR	1.3 MAX. AT 0.1~3 GHz, 1.5 MAX. AT 3~6 GHz
MAIN CONTACT RESISTANCE	INITIAL : 20 mohm MAX. / AFTER TEST : \surd R 20 mohm MAX.
GROUND CONTACT RESISTANCE	INITIAL : 20 mohm MAX. / AFTER TEST : \surd R 20 mohm MAX.
INSULATION RESISTANCE	INITIAL : 500 Mohm MIN. / AFTER TEST : 100 Mohm MIN.
DIELECTRIC WITHSTANDING VOLTAGE	AC 200 V 1min
DURABILITY	30 CYCLES
TOTAL MATING FORCE (INITIAL / AFTER TEST)	15 N MAX. / 15 N MAX.
TOTAL UNMATING FORCE (INITIAL / AFTER TEST)	4 N MIN. / 2 N MIN.
CRIMP STRENGTH	8 N MIN.
PRODUCT SPECIFICATION	PRS-1350
TEST REPORT	TR-07031
PACKING STANDARD	300-587
INSTRUCTION MANUAL	HIM-11001

Rev.5

MHF[®]-A plug

PART NO.	20428-001R	
APPLICABLE CABLE NOMINAL DIMENSION		
	MUST NOT USE SOLDER COATED INNER CONDUCTOR AND OUTER CONDUCTOR.	
BRAID SHIELD OF OUTER CONDUCTOR	SINGLE	
PART NO. OF SEMI AUTO TERMINATION MACHINE	90420-013 (SEMI-AUTO)	
CRIMP HEIGHT	<p>USE FOR POINT MICROMETER.</p> <p>CH-1 (I-Fit[®] PART) : 1.055~1.105</p>	<p>USE FOR POINT MICROMETER.</p> <p>CH-2 (JACKET PART) : 1.06~1.13</p>
BARREL GAP		

NOTES

4. APPLICABLE CABLE

4-1. DISCRPTION

INNER CONDUCTOR: AWG#32 (7/0.08)

SILVER PLATING ANNEALED COPPER WIRE OR SILVER PLATING

TIN-COPPER ALLOY.

* MUST NOT USE SOLDER COATED INNER CONDUCTOR.

DIELECTRIC CORE: FLUORO-PLASTICS

DIAMETER 0.68 (+0.04/-0.02)MM,

NOMINAL THICKNESS 0.22MM.

OUTER CONDUCTOR: 16/4/0.05

NOMINAL DIAMETER 0.93MM, SILVER PLATING ANNEALED COPPER WIRE.

* MUST NOT USE SOLDER COATED OUTER CONDUCTOR.

JACKET: FLUORO-PLASTICS

DIAMETER 1.13 (+0.08/-0.05)MM, NOMINAL THICKNESS 0.1MM.

4-2. REQUIREMENTS

CHARACTERISTIO IMPEDANCE: 50 (+2/-2)OHM BY TDR METHOD

NOMINAL CAPACITANCE (REFER VALUE): 97 PF/M

CONDUCTOR RESISTANCE OF INNER CONDUCTOR AT 293K (REFERENCEVALU)

: 520 OHM/KM

INSULATION RESISTANCE: 1500 MEGA-OHM/KM MIN.

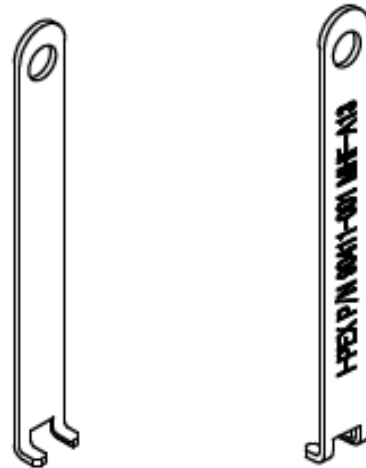
DILECTRIC WITHSTANCE VOLTAGE: NO BREAKDOWN AT AC100V FOR 1 MINUTES.

Rev.5

Accessories for MHF[®]-A plug



MHF-A13 SMA ADAPTOR
PART NO. 90413-001

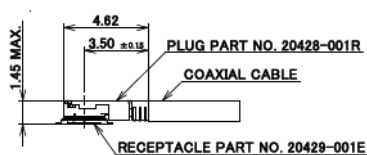
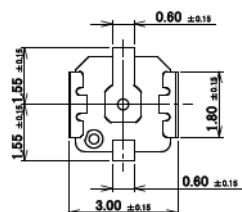
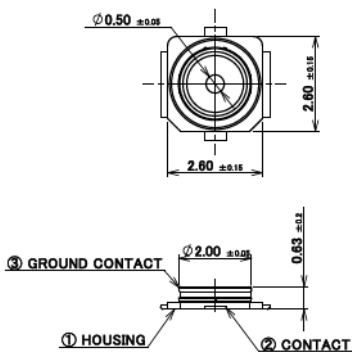


MHF-A13 PULLING TOOL
PART NO. 90411-001

Rev.5

MHF[®]-A Receptacle

Recommended P/N	20429-001E
PART NO.	20429-001E



NOTES
1. APPLICABLE CONNECTOR: 20428-001R
2. COPLANARITY: 0.1 MAX.

NO.	DESCRIPTION	MATERIAL	FINISH, REMARKS
3	GROUND CONTACT	PHOSPHOR BRONZE	ALL OVER Ni 1.00 μm MIN. CONTACT PART Au 0.03 μm MIN. SOLDERING PART Au 0.03 μm MIN.
2	CONTACT	BRASS	ALL OVER Ni 1.00 μm MIN. CONTACT PART Au 0.05 μm MIN. SOLDERING PART Au 0.05 μm MIN.
1	HOUSING	LCP	UL94V-0, BLACK

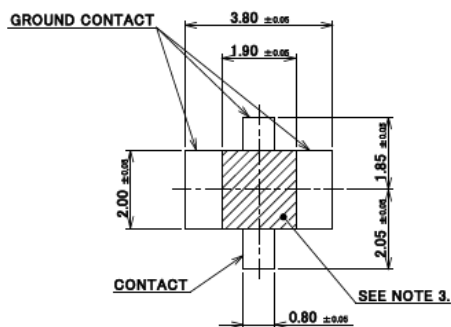
Rev.8

MHF[®]-A Receptacle

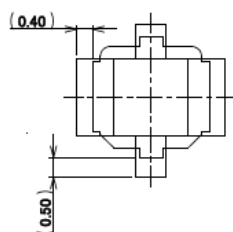
ITEMS	SPECIFICATION
APPLICABLE CONNECTOR PART NO.	20428-001E
RATING VOLTAGE	80 V AC (R.M.S)
RATING FREQUENCY	DC~6 GHz
OPERATING TEMPERATURE	233~363 K (-40°C~+90°C)
VSWR	1.3 MAX. AT 0.1~3 GHz, 1.4 MAX. AT 3~6 GHz
MAIN CONTACT RESISTANCE	INITIAL : 20 mohm MAX. / AFTER TEST : \leq R 20 mohm MAX.
GROUND CONTACT RESISTANCE	INITIAL : 20 mohm MAX. / AFTER TEST : \leq R 20 mohm MAX.
INSULATION RESISTANCE	INITIAL : 500 Mohm MIN. / AFTER TEST : 100 Mohm MIN.
DIELECTRIC WITHSTANDING VOLTAGE	AC 200 V 1min
DURABILITY	30 CYCLES
TOTAL MATING FORCE (INITIAL / AFTER TEST)	15 N MAX. / 15 N MAX.
TOTAL UNMATING FORCE (INITIAL / AFTER TEST)	4 N MIN. / 2 N MIN.
PRODUCT SPECIFICATION	PRS-1350
TEST REPORT	TR-07031
PACKING STANDARD	300-532
INSTRUCTION MANUAL	HIM-11001
APPEARANCE CRITERIA NO.	QLS-A***

Rev.8

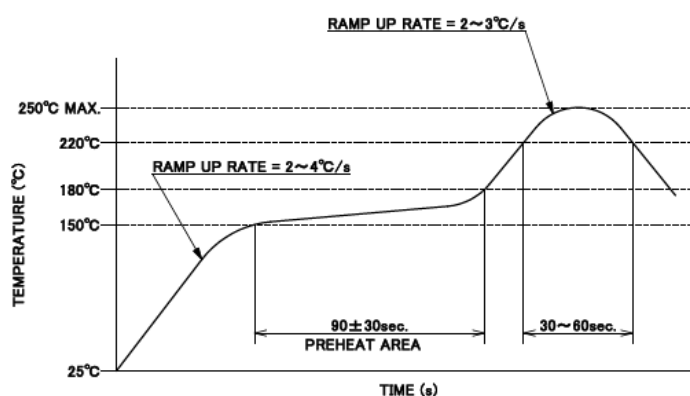
MHF[®]-A Receptacle



RECOMMENDED FOOTPRINT PATTERN



CONNECTOR ON RECOMMENDED FOOTPRINT PATTERN



REFLOW TEMPERATURE PROFILE
SENJU METAL INDUSTRY CO., LTD. : M705-SHF(Sn96.5 Ag3.0 Cu0.5)

NOTES
3. CUT OUT PROHIBITION AREA

Rev.8

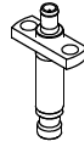
Accessories for MHF® -A Receptacle



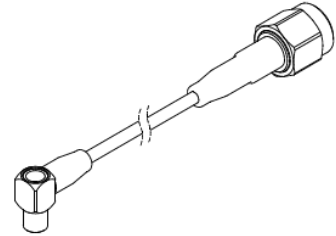
MHF-A13 SMA ADAPTOR
PART NO. 90413-002



MHF-A13 SMA ADAPTOR HIGH CYCLE TYPE
PART NO. 90416-001



4.5MM HIGH CYCLE TEST PROBE FOR MHF/MHF A
PART NO. 90575-0001



4.5MM HIGH CYCLE TEST PROBE CABLE ASSY
PART NO. 90577-****

* 90575-0001 AND 90577-**** SHOULD BE USED TOGETHER.

Rev.8

I-PEX

Copyright © I-PEX Inc. 2020. All rights reserved.

I-PEX, MHF, CABLINE, NOVASTACK, EVAFLEX, MINIFLEX, ISH, IARPB, IASLP, ESTORQ, i-Fit 以及 ISFIT 是 I-PEX 株式会社的注册商标。请注意，目录中的内容可能会在没有事先通知的情况下进行更改。I-PEX 集团没有义务和责任承担这些文件中误差和更新。使用我们的产品前，请务必正确阅读和理解最新的“使用注意事项”和“使用说明书”。如果您在使用我们的产品时没有遵循使用注意事项，我们将不对任何不良，损坏或故障负责。当您我们的产品使用在任何需要较高可靠性和安全性，或者涉及生命安全的应用时，请提前联系我们的销售代表。（例如：核电控制，航空航天，运输，医疗设备，安全设备等）

请联系您当地的销售代表，了解更详细的信息 [i-pex.com]

202008R0