

LIGHTPASS®-EOB 100G

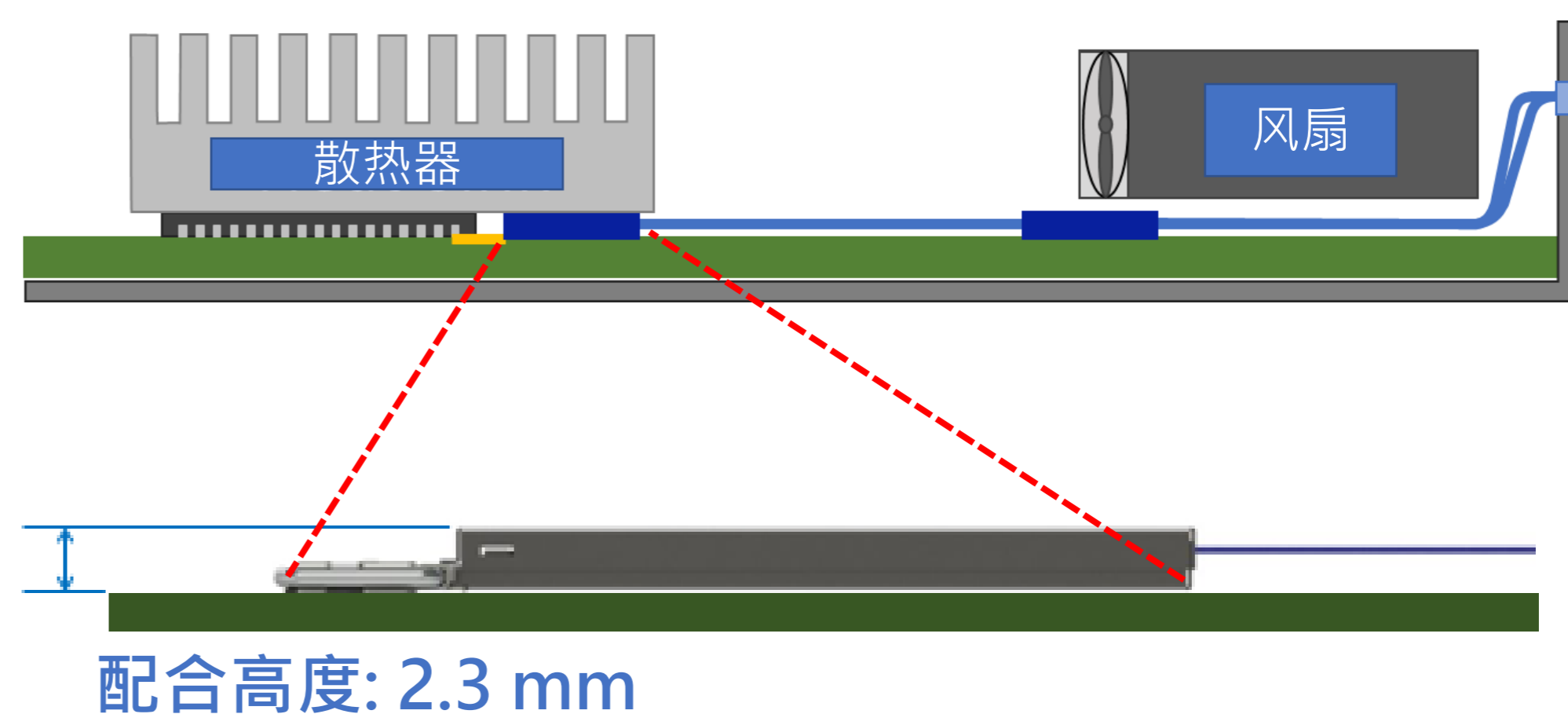
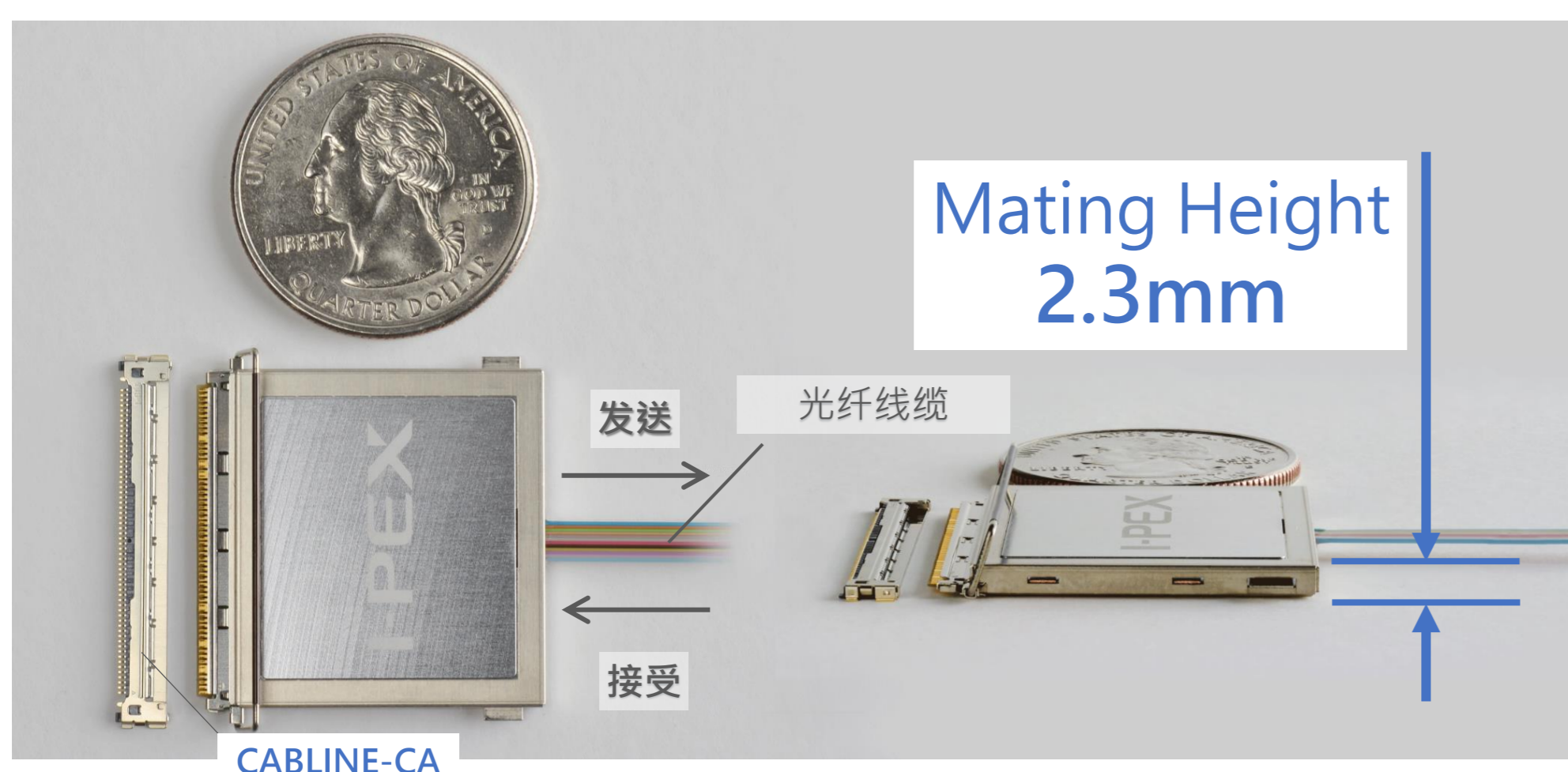
支持高速数据传输100Gbps (25Gbps x 4 通道), 双向式, 超薄型, 内部搭载微处理器, 低功耗, 光电转换模组

Product Specifications:

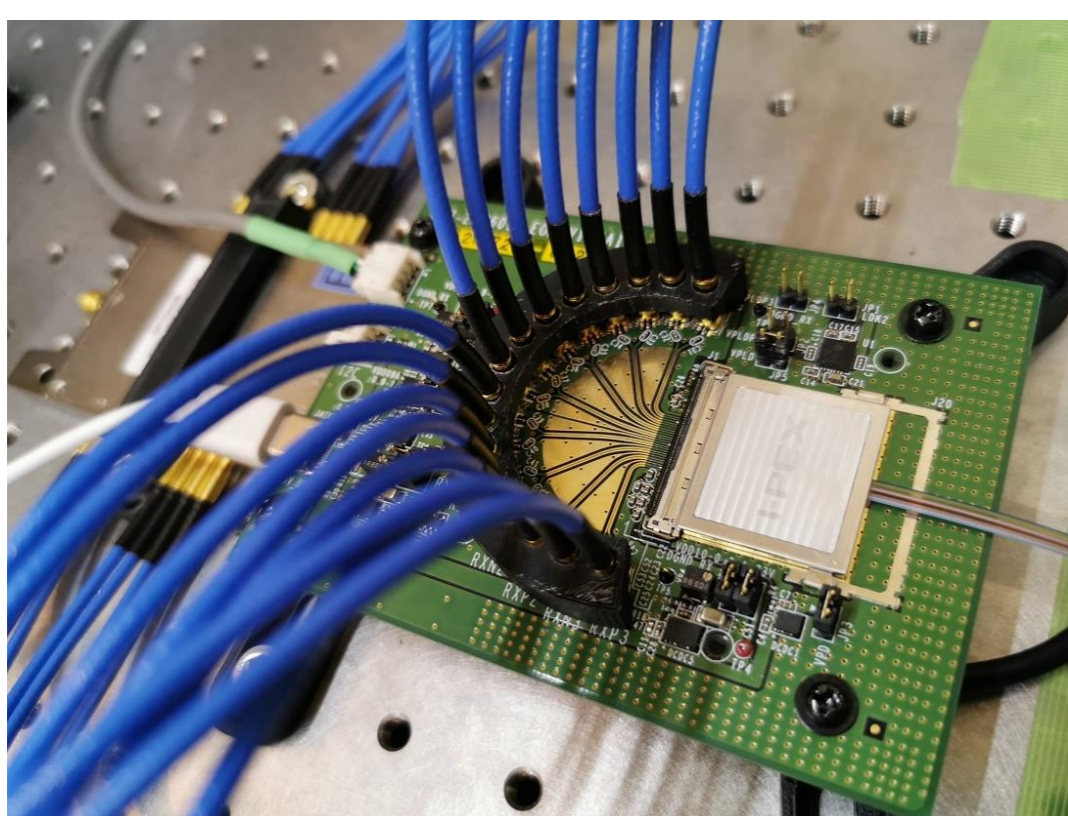
High Channel Capacity	100 Gbps (25 Gbps x 4)
Size	29.01 x 29.75 x 2.30
Case Temperature Operating Range	-40 ~ 85 degree
Electrical Interface	I-PEX CABLINE®-CA 60P
Optical Interface	12 core MT Connector via 12 core Multi Mode Fiber
Power Supply	0.9, 1.0 and 3.3V
Low Power Consumption per Gbps	Consumption per Gbps: < 35 mW/Gbps for TX-RX pair



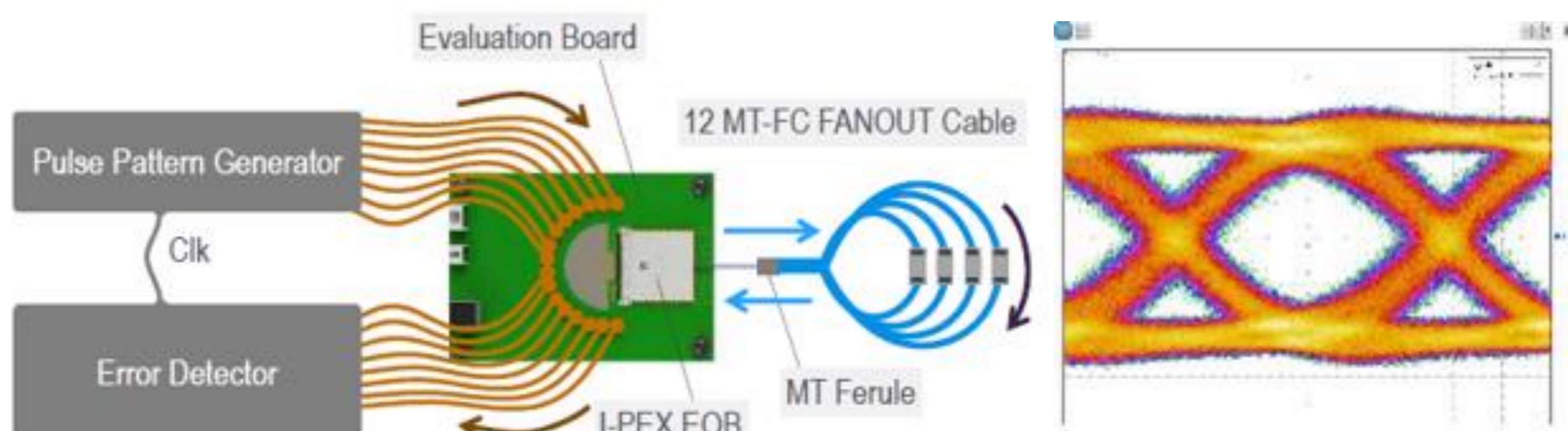
► 超低配合高度: 2.3 mm



► 实现高速传输: 100 Gbps (25 Gbps x 4 通道)



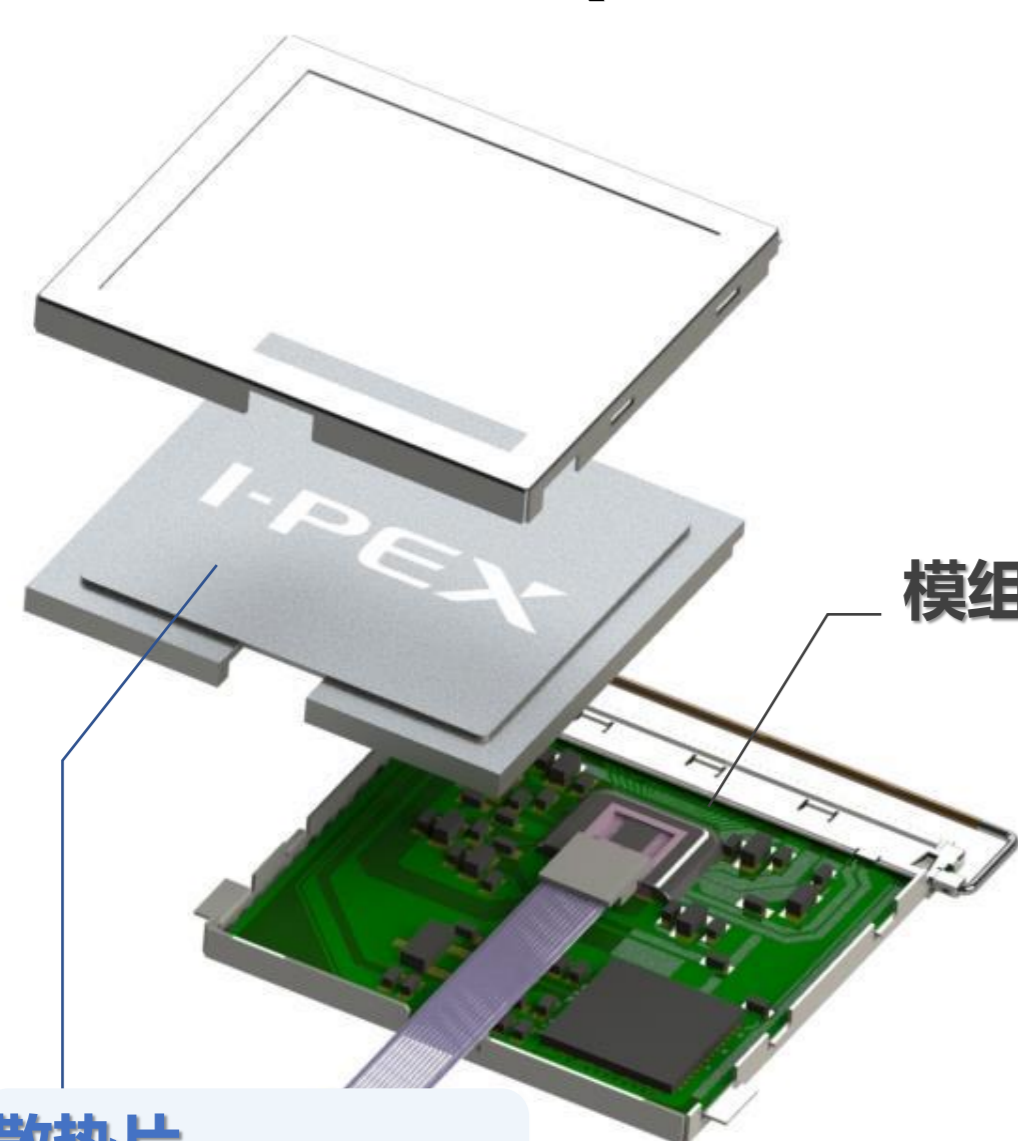
测试用基板



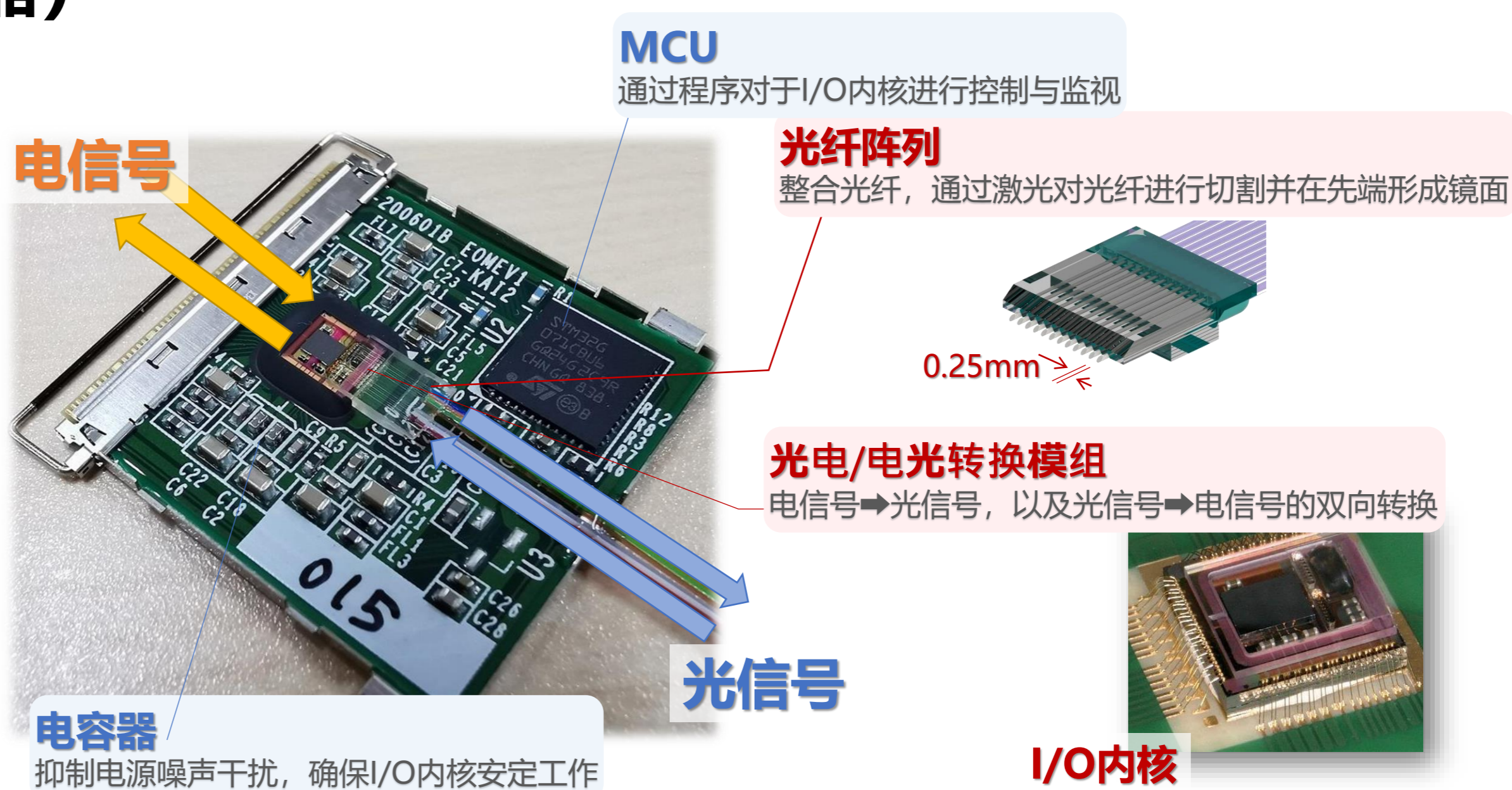
测试治具

眼图

► 有源光模组 (内部搭载微处理器)



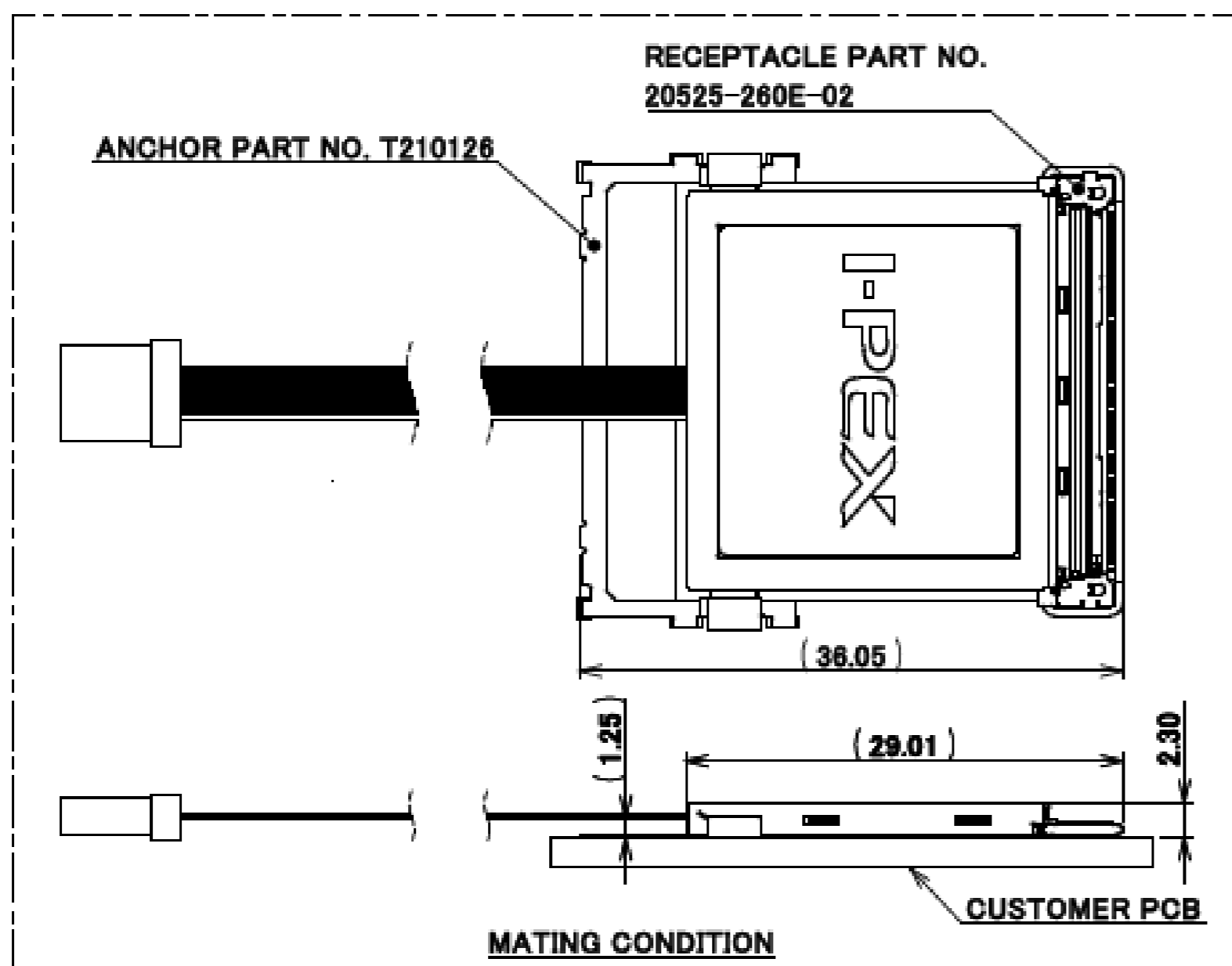
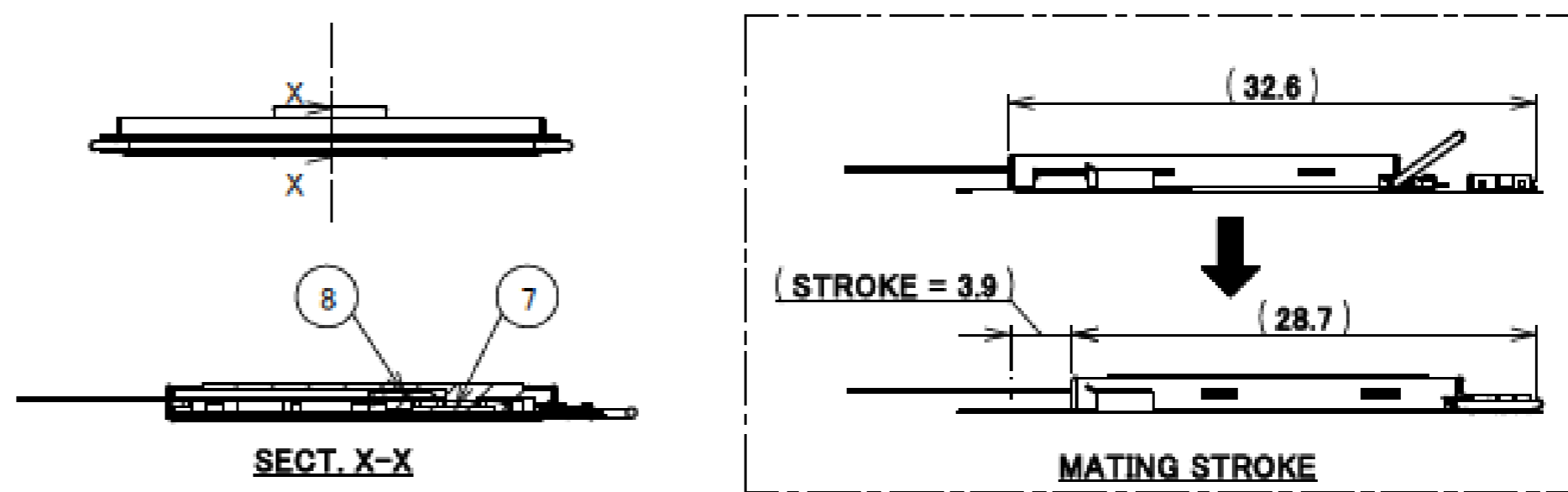
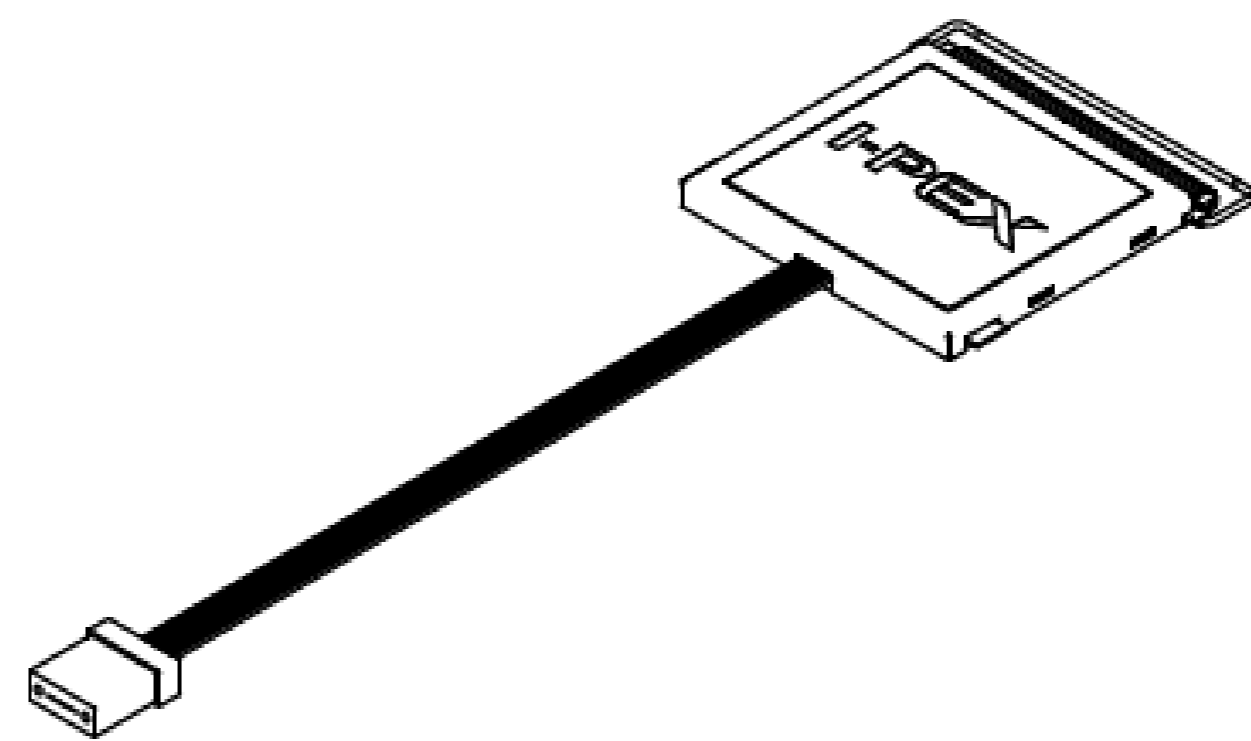
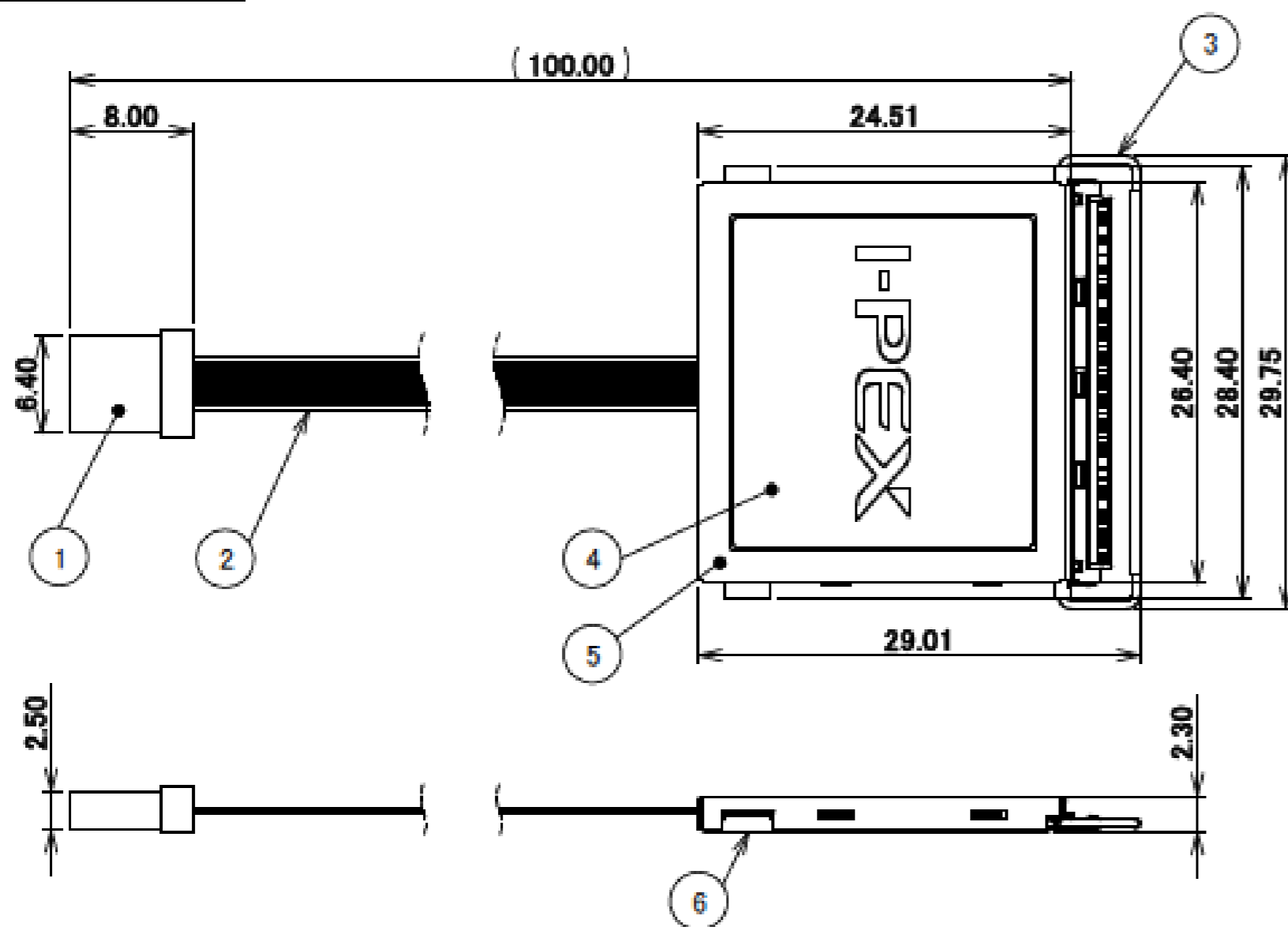
散热片
通过散热片实现模组降温



Component Parts Detail

EOB 100G Optical Module

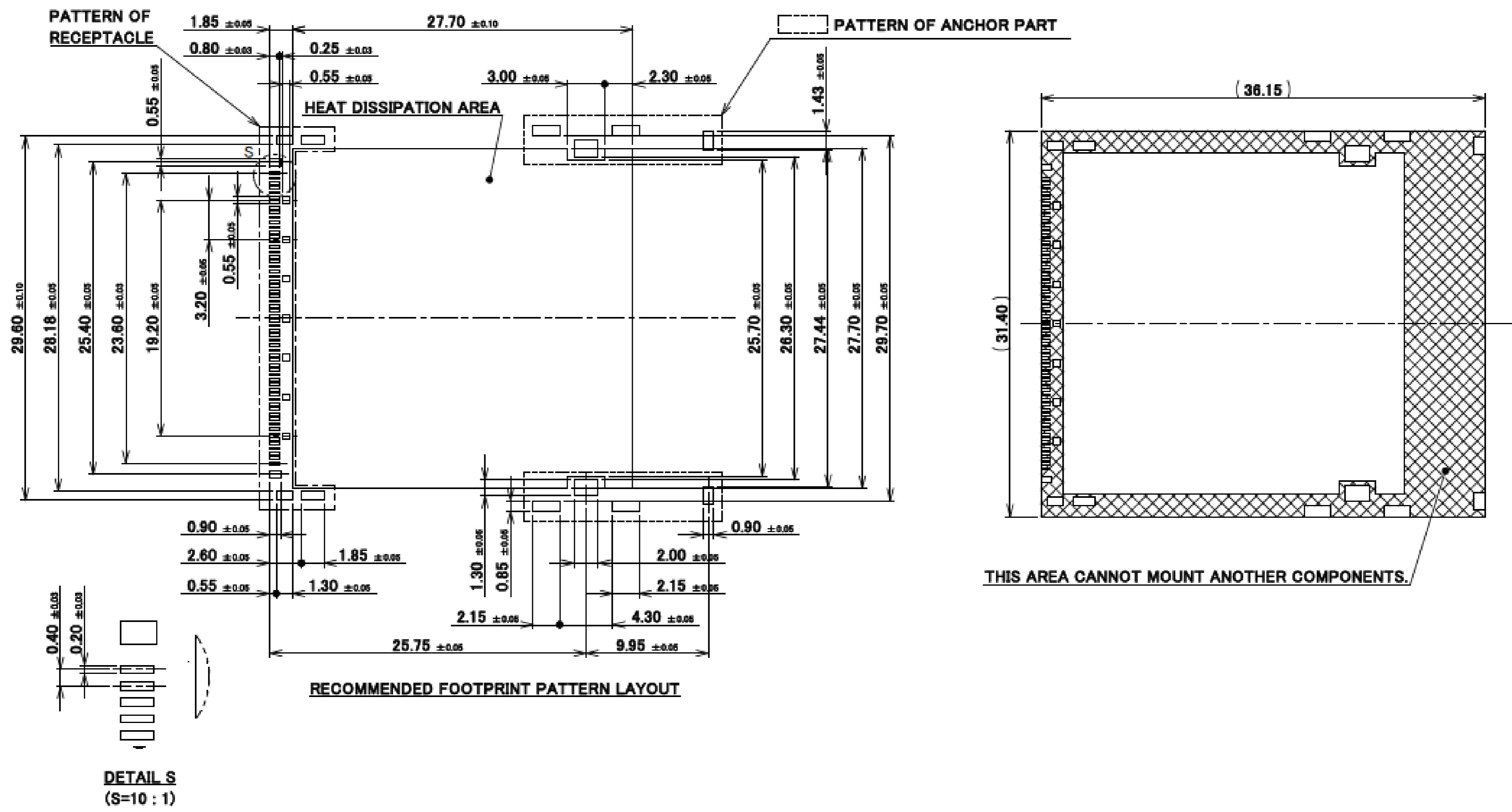
Recommended P/N 88002-000T-25-01
 PART NO.
 88002-000T-25-01



NO.	DESCRIPTION	MATERIAL	FINISH, REMARKS
8	OPTICAL CONNECTER	-	-
7	OPTICAL I/O CORE P/N PAA-XW8001-ESB	-	TIP NUMBERING
6	SHELL-B	COPPER ALLOY	NICKEL PLATING
5	SHELL-A	COPPER ALLOY	NICKEL PLATING
4	HEAT SPREADER	ALUMINUM	ANODIZING
3	CABLIN®-CAF SHELL ASS'Y P/N 20858-060T-01	-	-
2	12-CORE TAPE FIBER	-	-
1	12-MT FERRULE	-	-

ANGLE $\pm 2^\circ$ 6 OVER 30 MAX ± 0.3 PROJECTION SERIES NO. CUSTOMER COPY

EOB 100G Optical Module



Rev.0

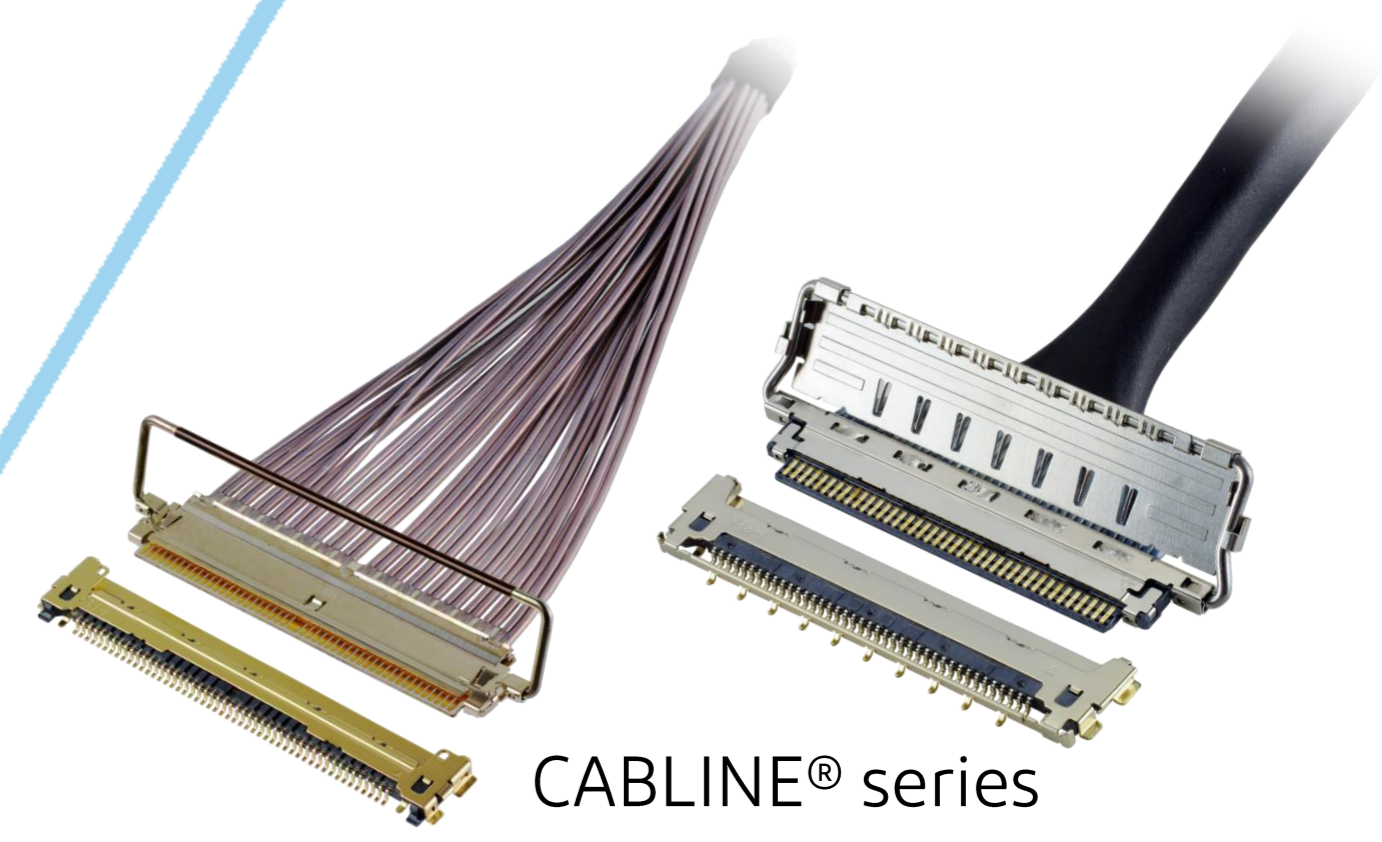
Custom Connectors Available

RF Connector

MHF® series



Micro-coaxial/Twinax/Discrete Wire Connector



CABLINE® series

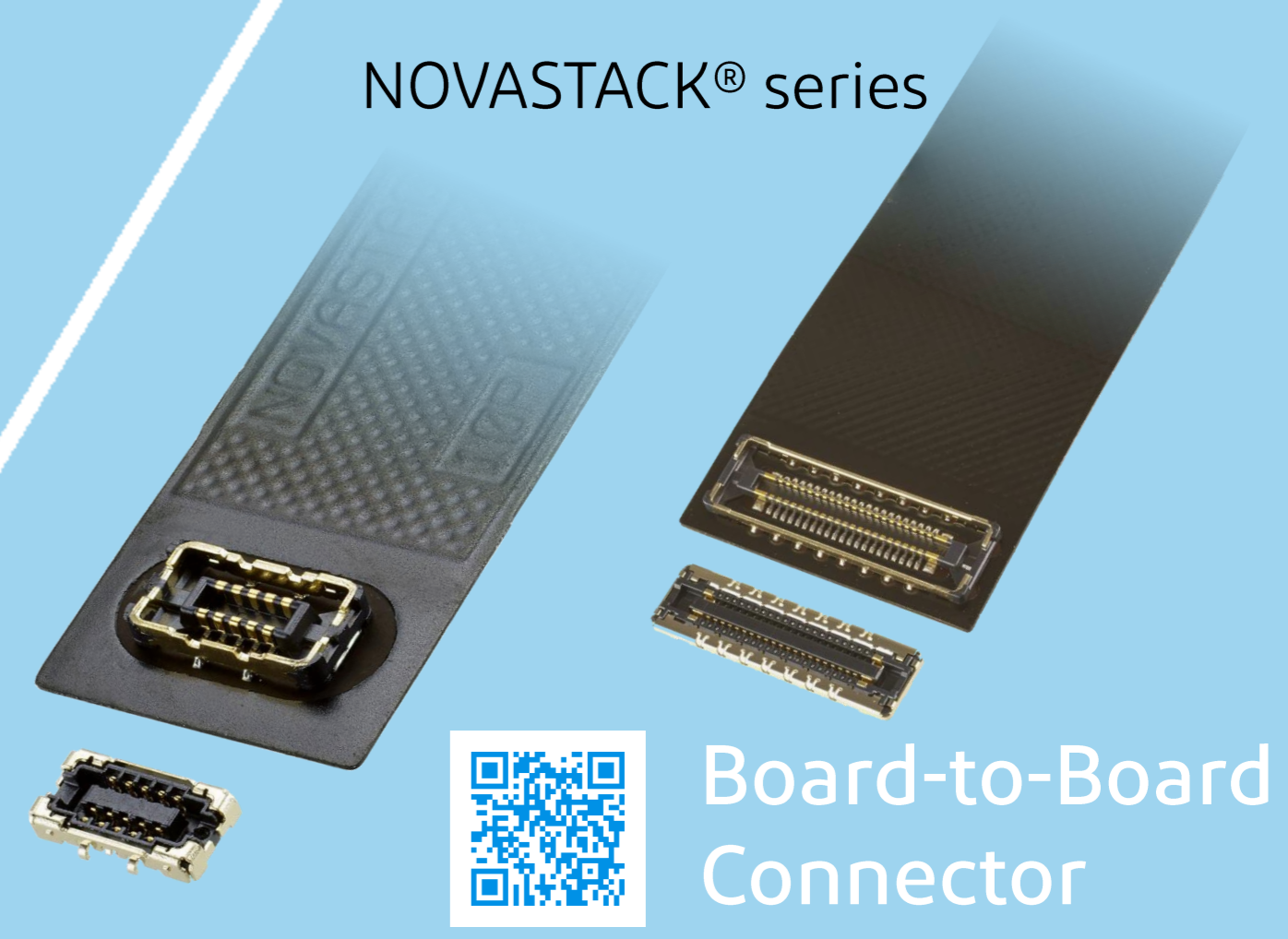


Optical Module

LIGHTPASS® series



NOVASTACK® series



Board-to-Board Connector



Power Connector/Terminal

AP series

ISH® series



MINIFLEX® series

EVAFLEX® series



FPC FFC Connector



Inquiry



MINIDOCK® series



I/O Connector

I-PEX, MHF, CABLINE, LIGHTPASS, NOVASTACK, ISH, IARPB, MINIFLEX, EVAFLEX, MINIDOCKS and ZenShield are registered trademarks of I-PEX Inc. Please note that the contents in the catalog might be changed without prior notification. I-PEX Inc. assumes no responsibility for any inaccuracies or obligation to update information on these documents. Please be sure to read and understand the latest "Precautions for Use" and "Instruction Manual" before you use our products. We shall not be responsible for any defects, damages or troubles in case you use our products without following the precautions for use. Please feel free to contact our sales representatives when you use our products for any applications that require very high reliability and safety, or that relate to human life (ex. nuclear power control, aerospace, transportation, medical equipment, safety equipment etc.).

Contact your sales representative or more detailed information.

www.i-pex.com



I-PEX

© I-PEX Inc. 2024
All rights reserved