

EVAFLEX® 5

Auto-Lock, 고속 전송 대응, 수평 결합, 0.5 mm Pitch, TV 패널 업계의 표준 실장 패턴을 호환하는 실드 부착 커넥터



Product Specifications:

Board Pitch (mm)	0.5
Wiping Length (mm)	1.75
Size (mm)	Height 4.75 +/- 0.15
	Width Formula: 12.35 + (0.5*?p)
	Depth 5.95 +/- 0.20
Pin counts	Range 21 - 51
	Available 41, 51

Applicable FPC/FFC:

FPC/FFC Type	Shielded FFC
FPC/FFC Contact Point	Lower
FPC/FFC Thickness (mm)	0.33 +/- 0.03

Applicable Standards (Reference Only):

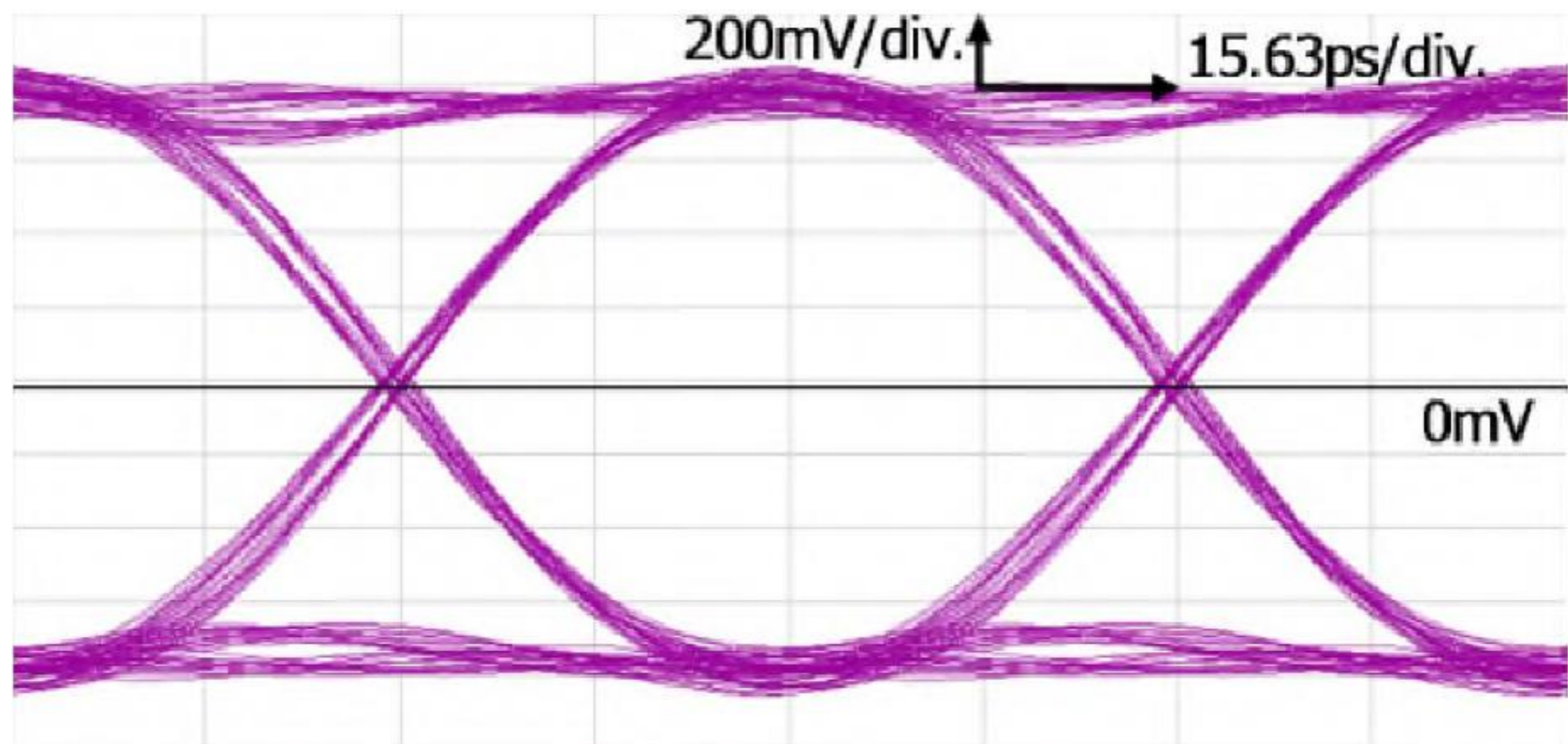
eDP HBR2 (5.4 Gbps) V-By-One US (16 Gbps)

*기재가 되어있지 않은 핀 수의 대응 여부에 대해서는 문의해 부탁드립니다.

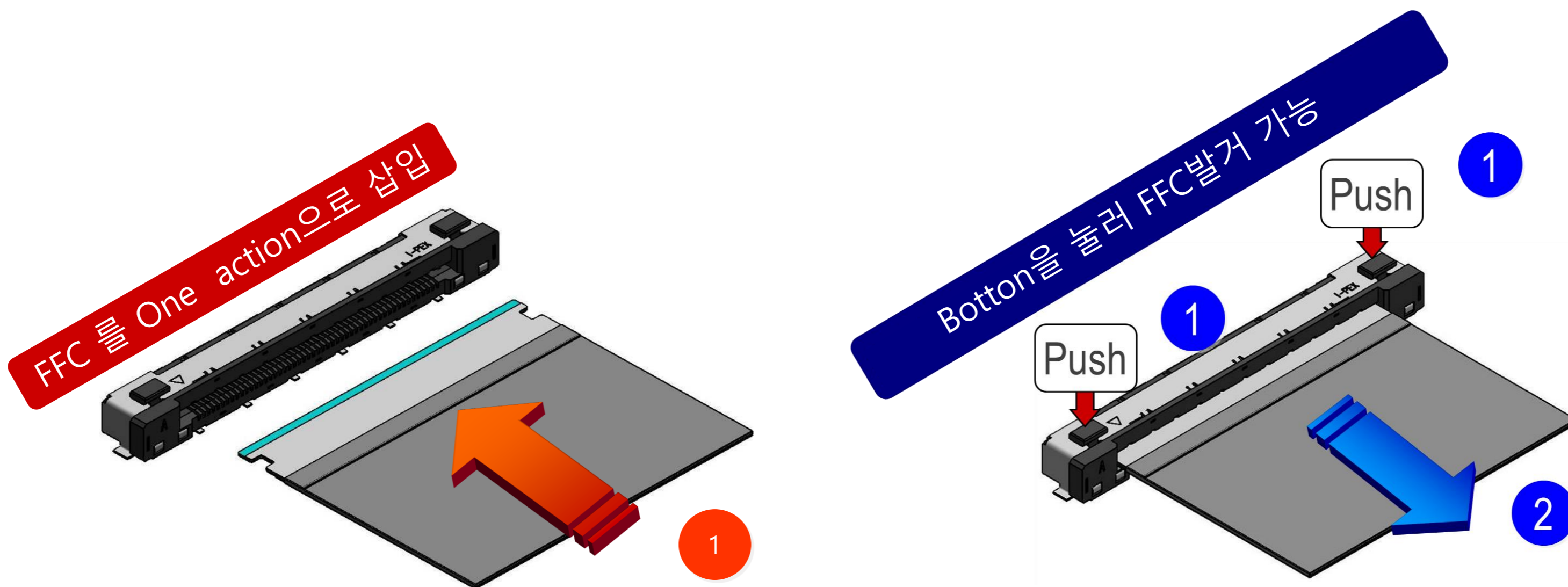
▶ 고속 전송 설계 (16+ Gbps V-by-One® US)

Eye pattern (Differential)
 Bit rate : 16 Gbps
 Rise time : 24 ps (10% - 90%)
 Input Voltage : 800 mVp-p

*데이터의 상세내용에 관해서는 당사에 문의 주시기 바랍니다.



▶ 체결 작업이 용이한 Auto-Lock 디자인. 수작업 또는 로봇에 의한 조립 작업에 최적



Auto Lock 기능과 One action 체결로 생산성 향상

▶ 확장성이 높은 EVAFLEX® 시리즈로 Auto-Lock을 비롯한 다양한 옵션에 대응

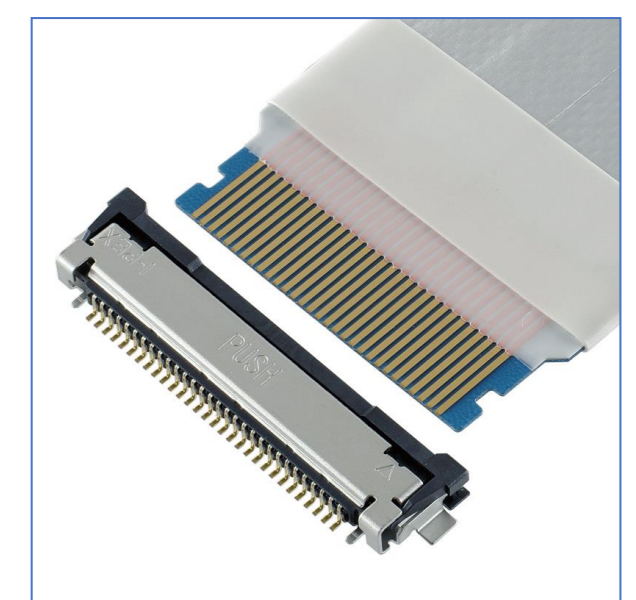
소형 & EMI Shield 대응

소형 & 고온대응 (105°C)

	EVAFLEX® 5-HD
Height (mm)	2.00 +/- 02
Reference Performance	USB 3.1 Gen2 (10+ Gbps)
Special Feature	360-degree fully-shielded with multi-point grounds to prevent EMI leakage



	EVAFLEX® 5-VS
Height (mm)	1.90 +/- 01
Depth (mm)	4.95
Reference Performance	PCIe Gen 3 (8+ Gbps)
Operation Temperature	up to 105°C



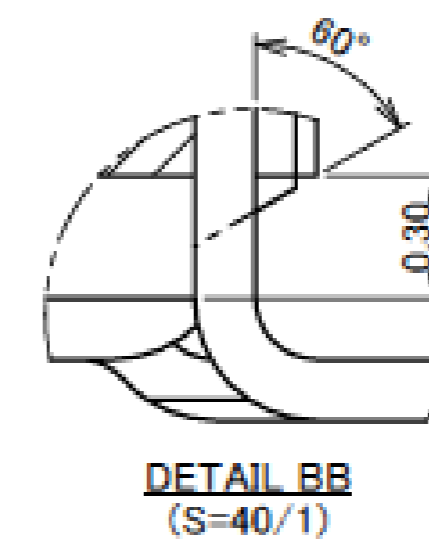
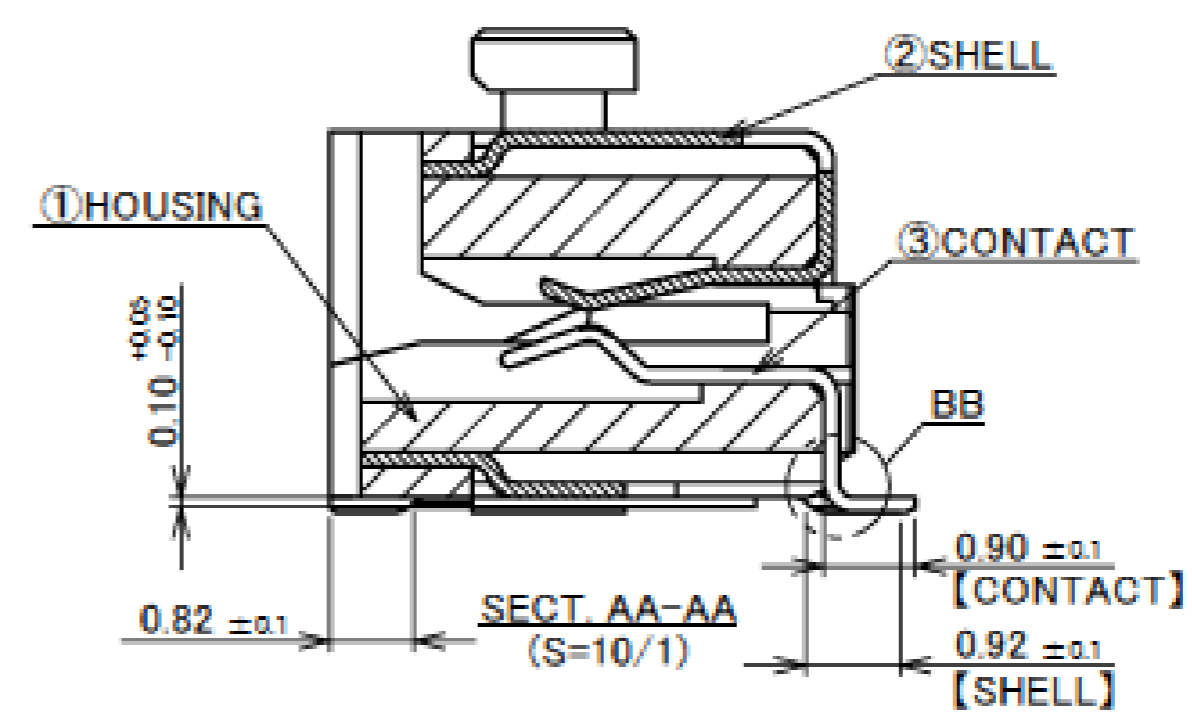
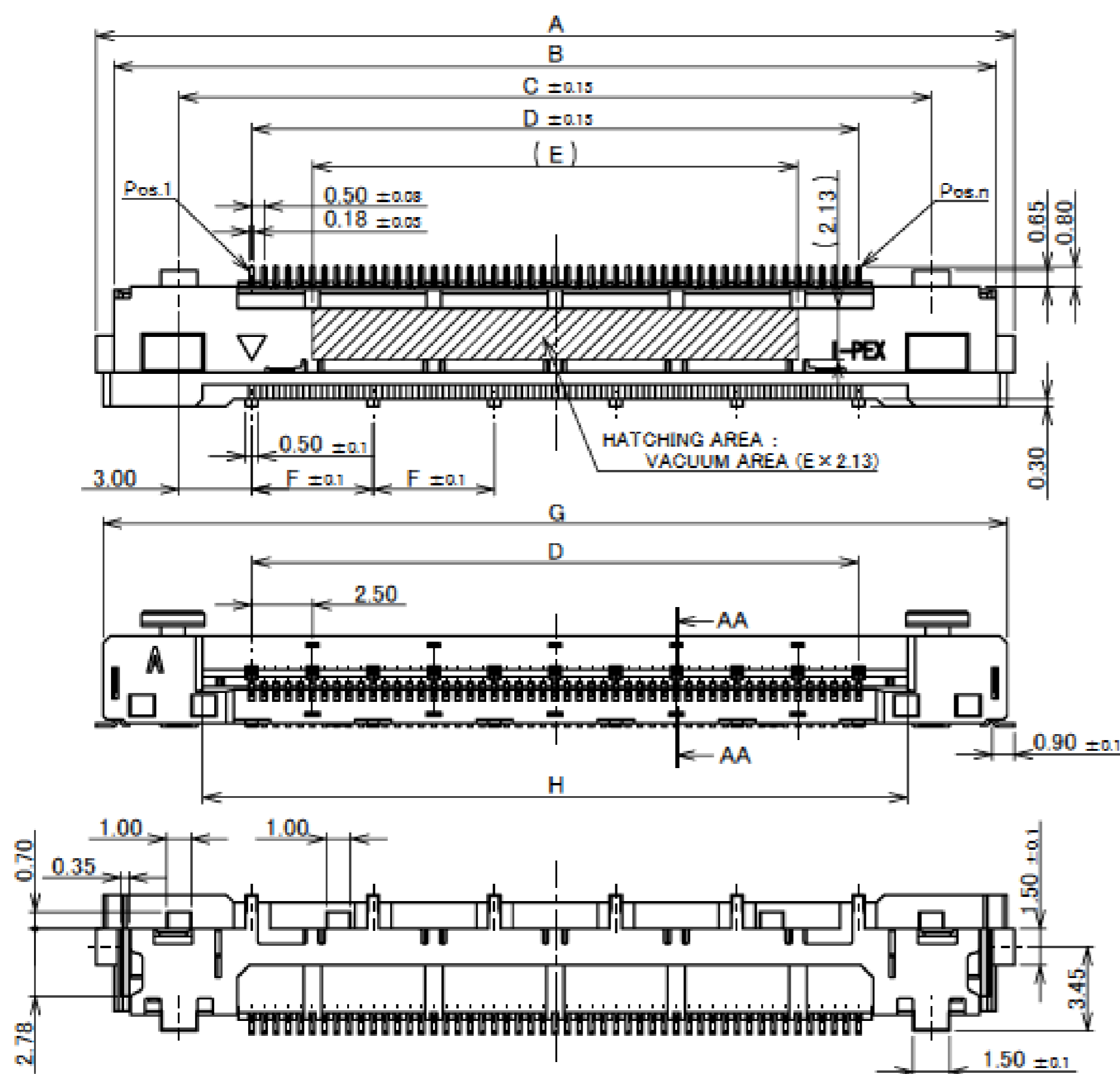
Component Parts Details

Connector Assembly

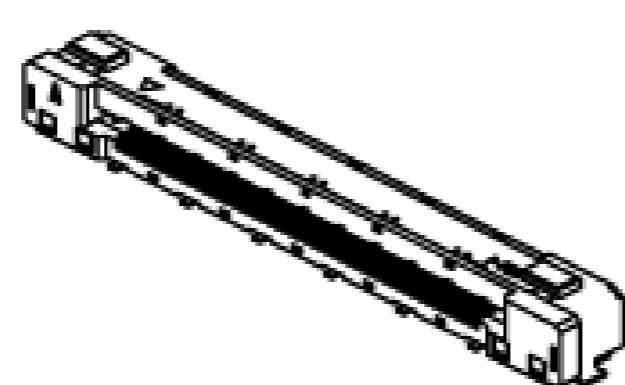
Recommended P/N		20818-0**E							
PART NO.	Pos.	A	B	C	D	E	F	G	H
20818-041E	41P	32.85	31.35	26.00	20.00	15.00	4.00	32.25	24.06
20818-051E	51P	37.85	36.35	31.00	25.00	20.00	5.00	37.25	29.06



Halogen Free RoHS Compliant

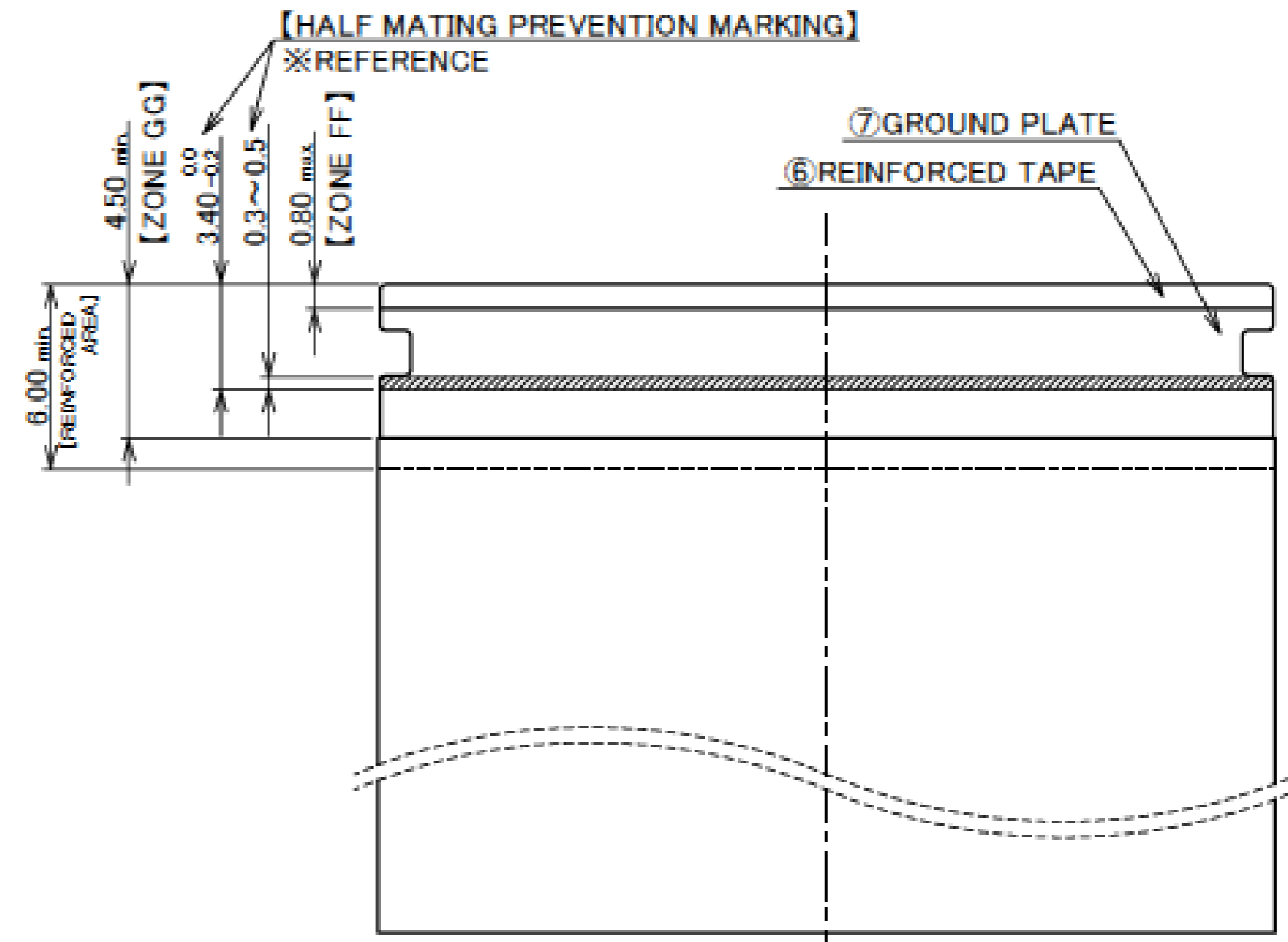
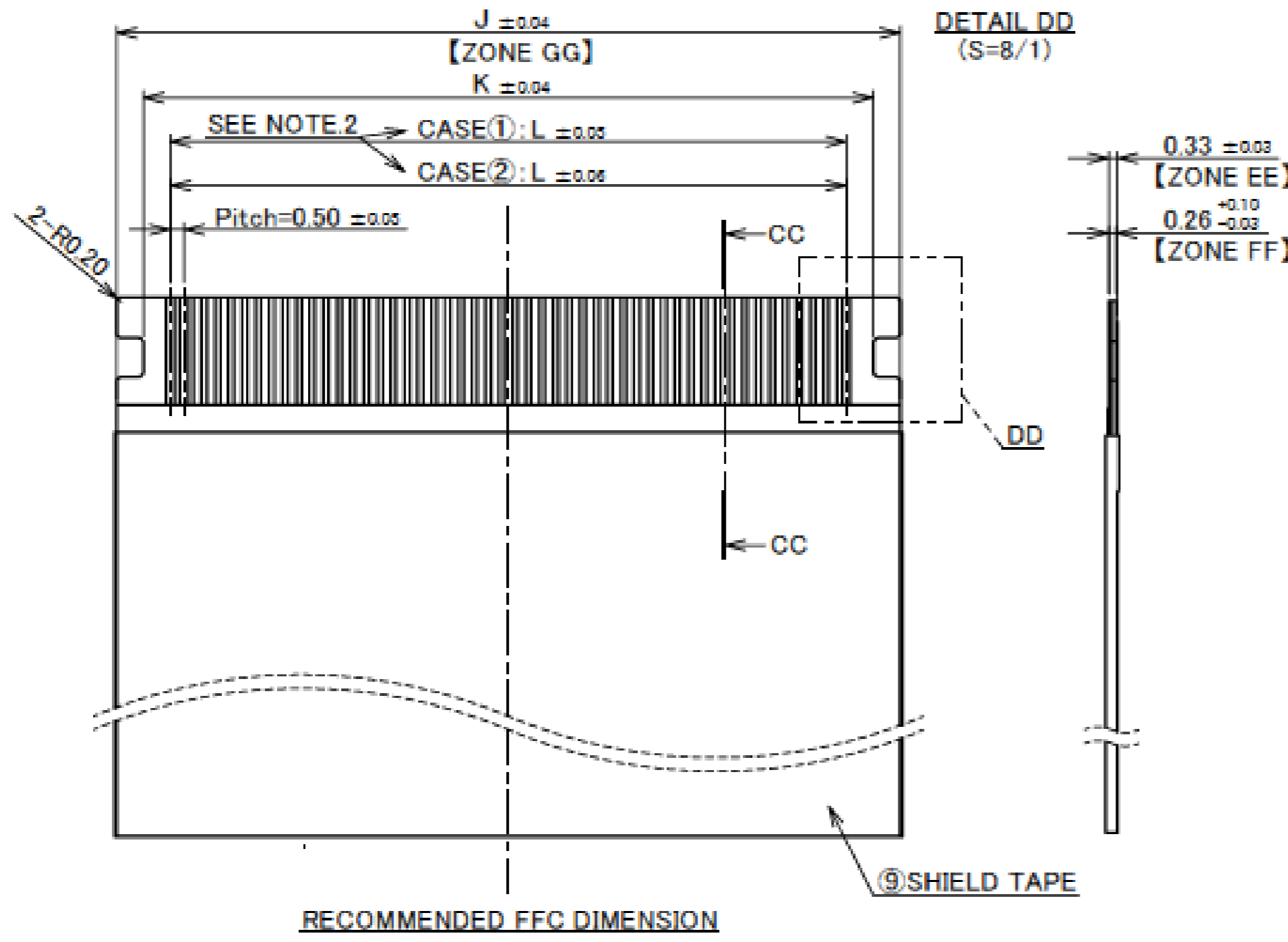
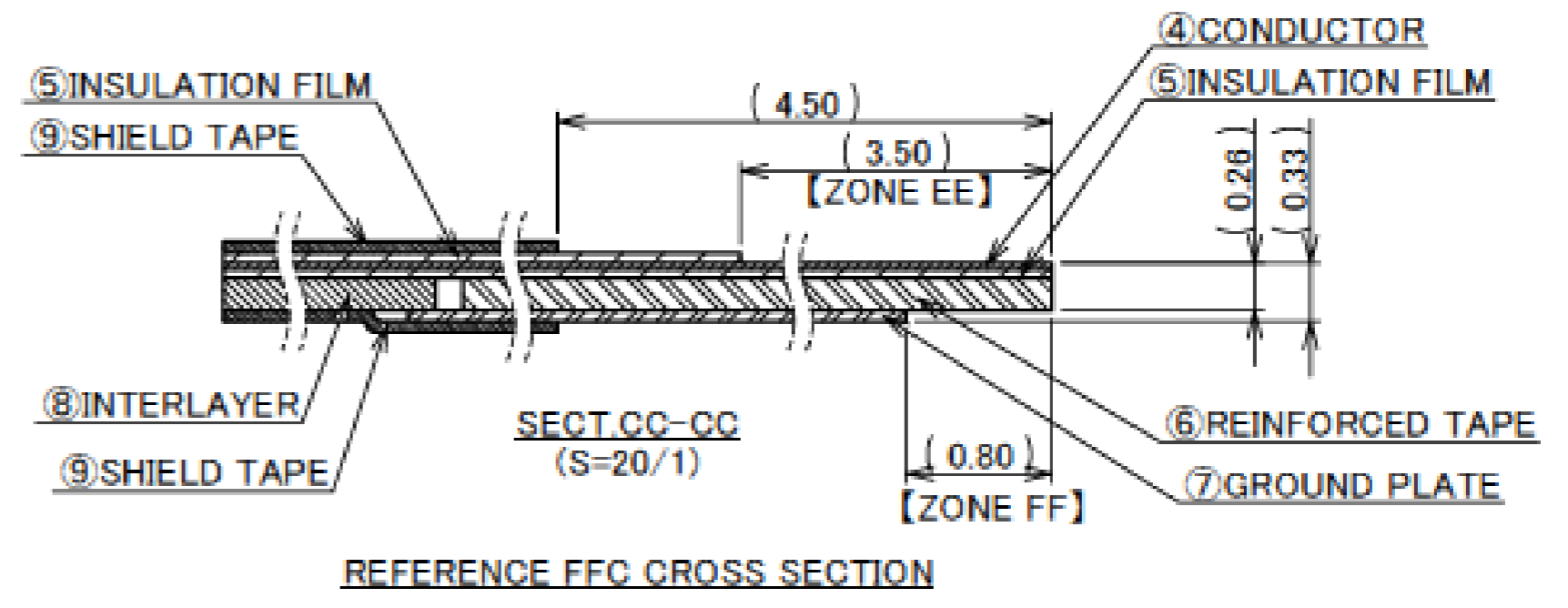
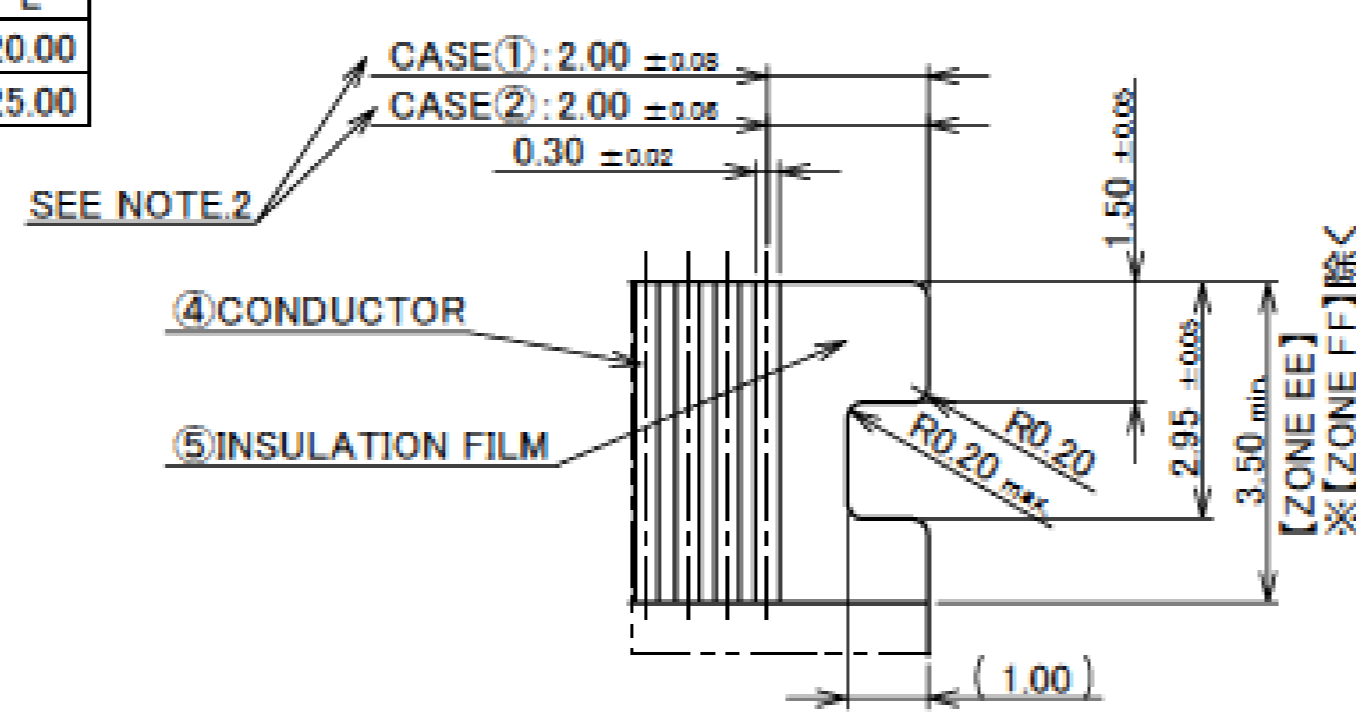


NO.	DISCRIPTION	MATERIAL	FINISH, REMARKS
3	CONTACT	PHOSPHOR BRONZE	Au 0.03 μmMIN. OVER Ni 1.00 μmMIN.
2	SHELL	PHOSPHOR BRONZE	Sn 1.00 μmMIN. OVER Ni 1.00 μmMIN.
1	HOUSING	LCP	UL94V-0, BLACK



Connector Assembly

PART NO.	Pos.	J	K	L
20818-041E	41P	24.00	22.00	20.00
20818-051E	51P	29.00	27.00	25.00

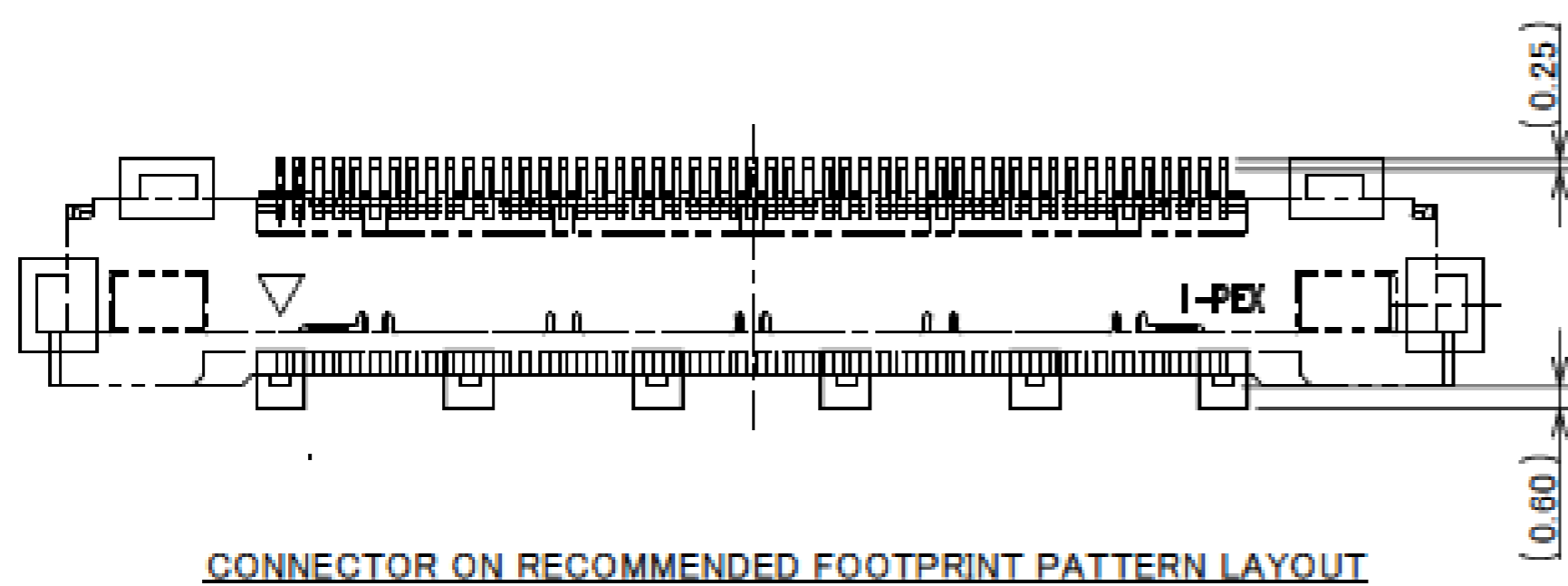
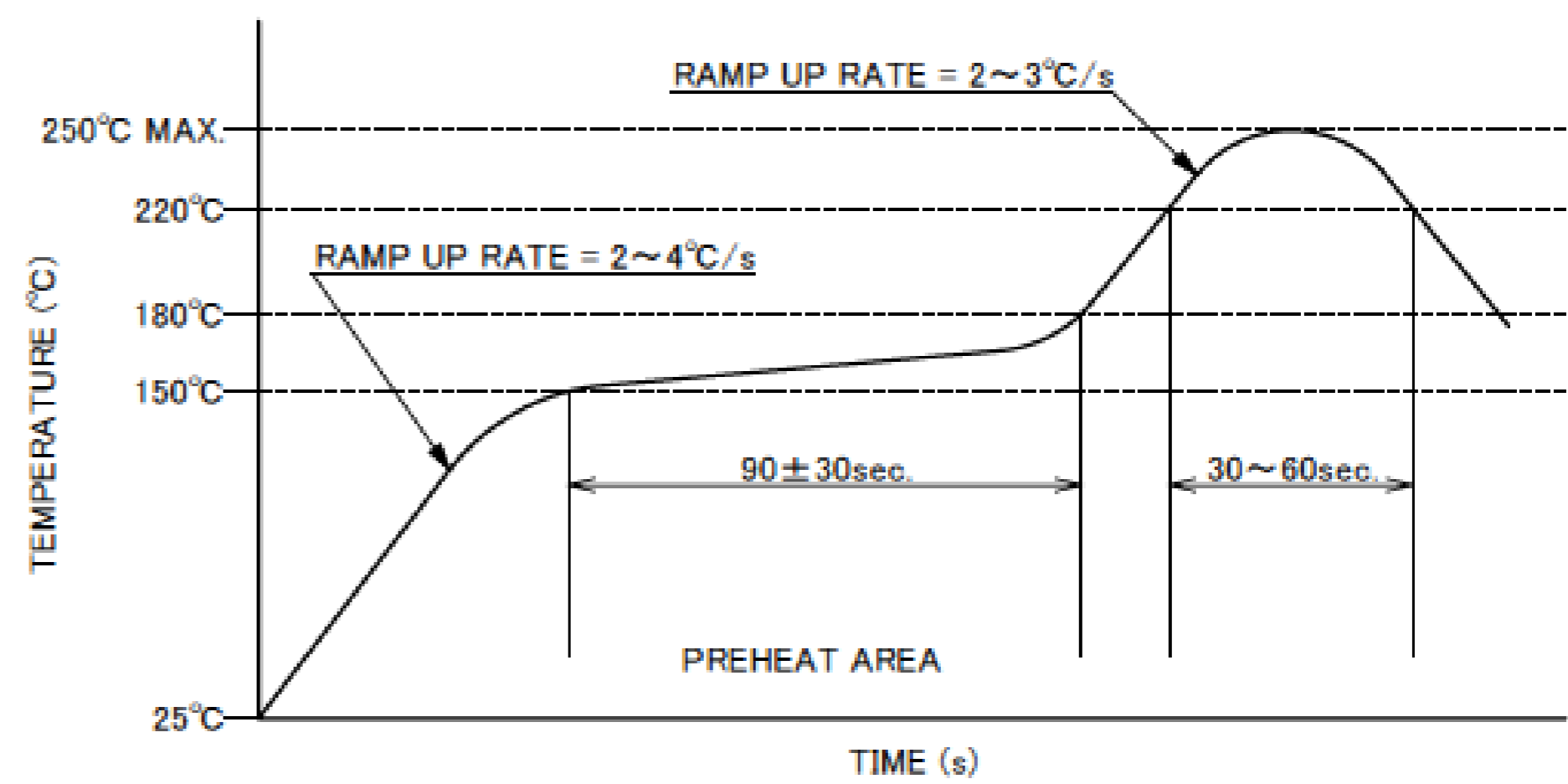
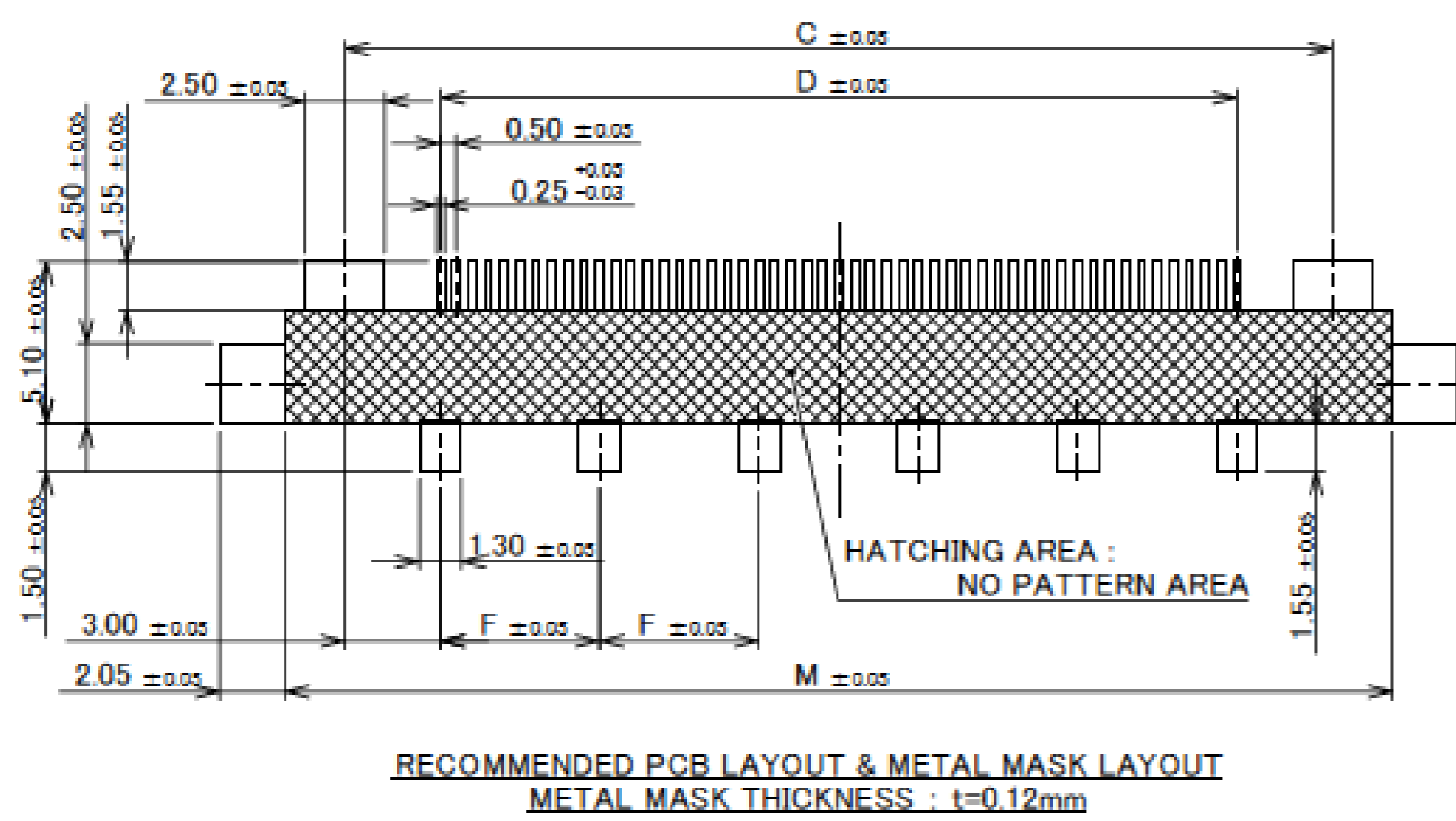


- NOTES
1. DIFFERENTIAL IMPEDANCE : $100 \pm 10 \Omega$
 2. MANUFACTURE CASE① or CASE②
 3. SELECT A MATERIAL WITH A SOFTENING TEMPERATURE OF 85°C OR HIGHER FOR THE PATTERN ADHESIVE PART OF FFC.

NO.	DISCRIPTION	MATERIAL	FINISH , REMARKS
9	SHIELD TAPE	METALIC FILM	
8	INTERLAYER	ARBITRARY	
7	GROUND PLATE	METALIC FILM	POLISH or HALF POLISH Sn PLATING
6	REINFORCED TAPE	ARBITRARY	
5	INSULATION FILM	ARBITRARY	
4	CONDUCTOR	COPPER ALLOY	CONTACT AREA: Au 0.05 μ m MIN. OVER Ni 0.5 μ m MIN.

Rev.1

PART NO.	Pos.	C	D	F	M
20818-041E	41P	26.00	20.00	4.00	29.75
20818-051E	51P	31.00	25.00	5.00	34.75



- NOTES
4. THIS AREA CANNOT MOUNT ANOTHER COMPONENTS.
 5. SOLDER RESIST SHALL BE APPLIED TO PREVENT SHORT CIRCUITS WHEN PLACING SIGNAL LINES ON GROUND AREA.

Rev.1

Connector Assembly

ITEMS	SPECIFICATION
RATING VOLTAGE	200V AC/DC (PER CONTACT PIN)
RATING AMPERAGE	0.3A AC/DC (PER CONTACT PIN)
OPERATING TEMPERATURE	233~358K(-40°C~+85°C)
OPERATING HUMIDITY	85% MAX.(NON-CONDENSING)
CONTACT RESISTANCE	INITIAL : 60mohm MAX. / AFTER TEST : \triangle 40mohm MAX.
INSULATION RESISTANCE	100Mohm MIN.
DIELECTRIC WITHSTANDING VOLTAGE	AC250V 1min
DURABILITY	30 CYCLES
MATING FORCE (INITIAL / 30 CYCLES)	41P : 29.2N MAX. / 51P : 30.0N MAX.
UNMATING FORCE (INITIAL / 30 CYCLES)	41P : 4.25N MIN. / 51P : 5.00N MIN.
FFC RETENTION FORCE	41P : 22N MIN./ 51P : 25N MIN.
COPLANARITY	0.10mm MAX.
PRODUCT SPECIFICATION	PRS-2671
TEST REPORT	TR-20035
PACKING STANDARD	300-980
INSTRUCTION MANUAL	HIM-12001
APPEARANCE CRITERIA No.	QLS-A***


Rev.1

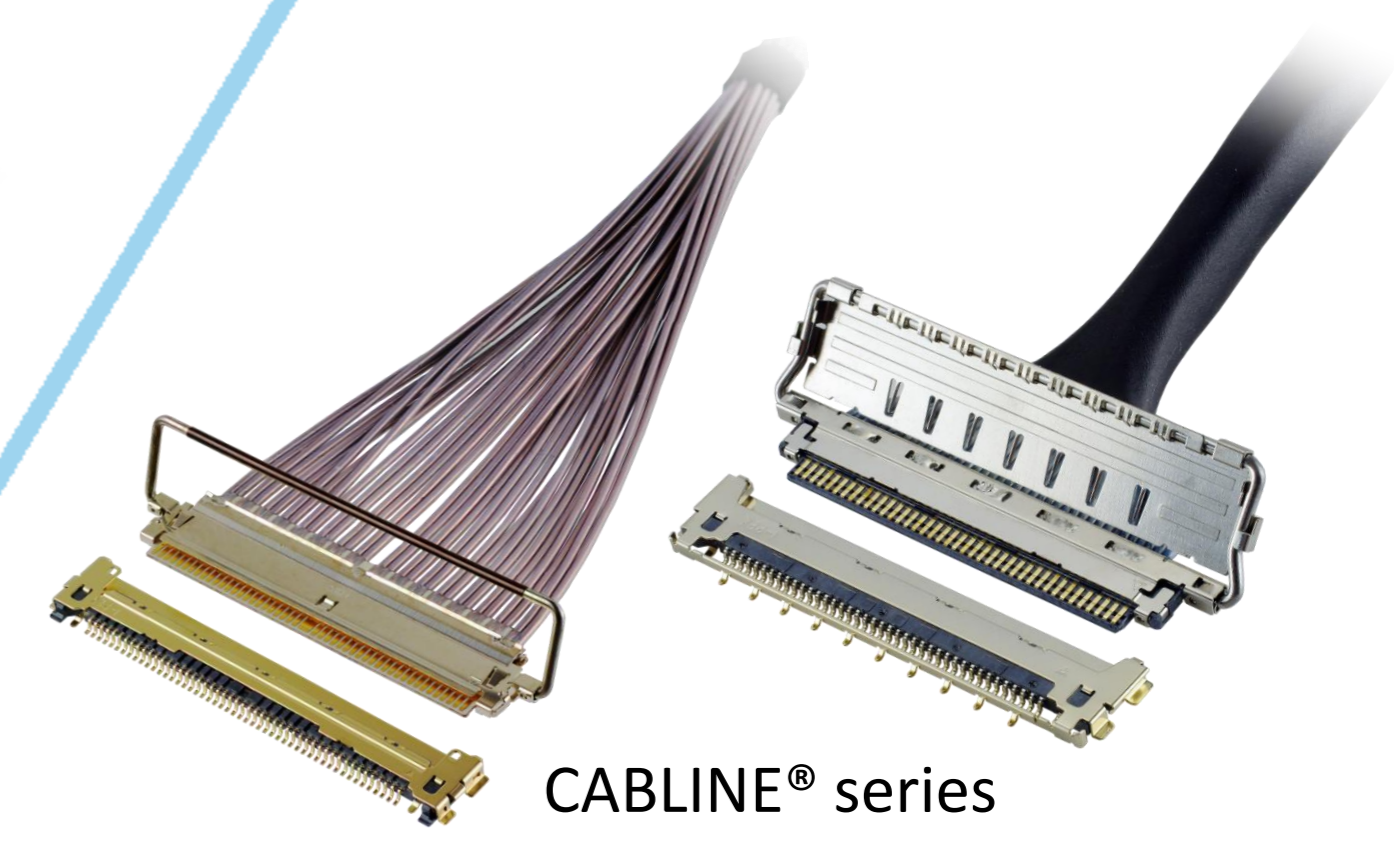
Custom Connectors Available

 RF Connector

MHF® series



 CABLINE® series
Micro-coaxial/Twinax/
Discrete Wire Connector



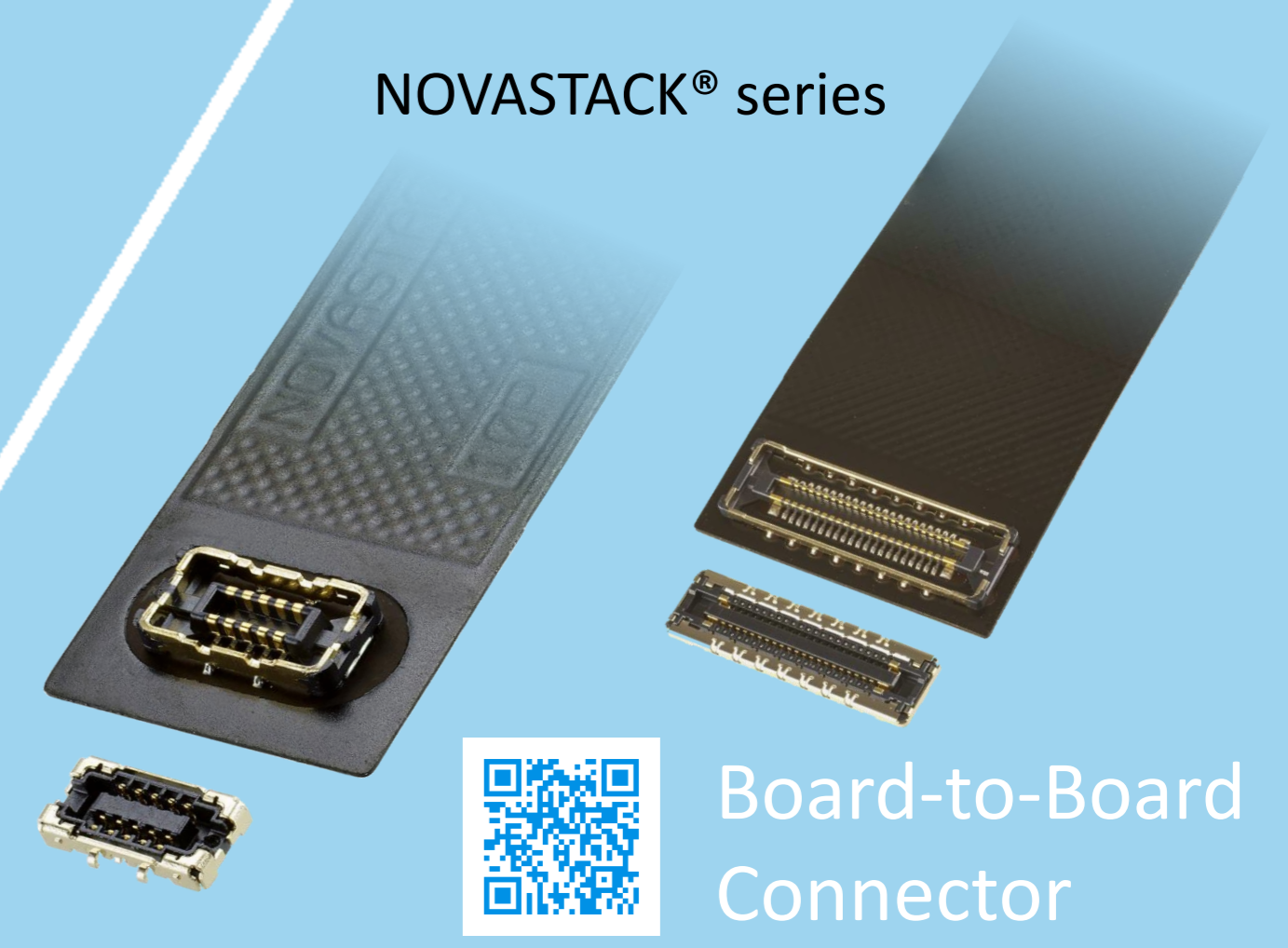
 Optical Module

LIGHTPASS® series



NOVASTACK® series

 Board-to-Board Connector



 Power Connector/
Terminal

AP series

ISH® series



MINIFLEX® series

EVAFLEX® series

 FPC FFC Connector

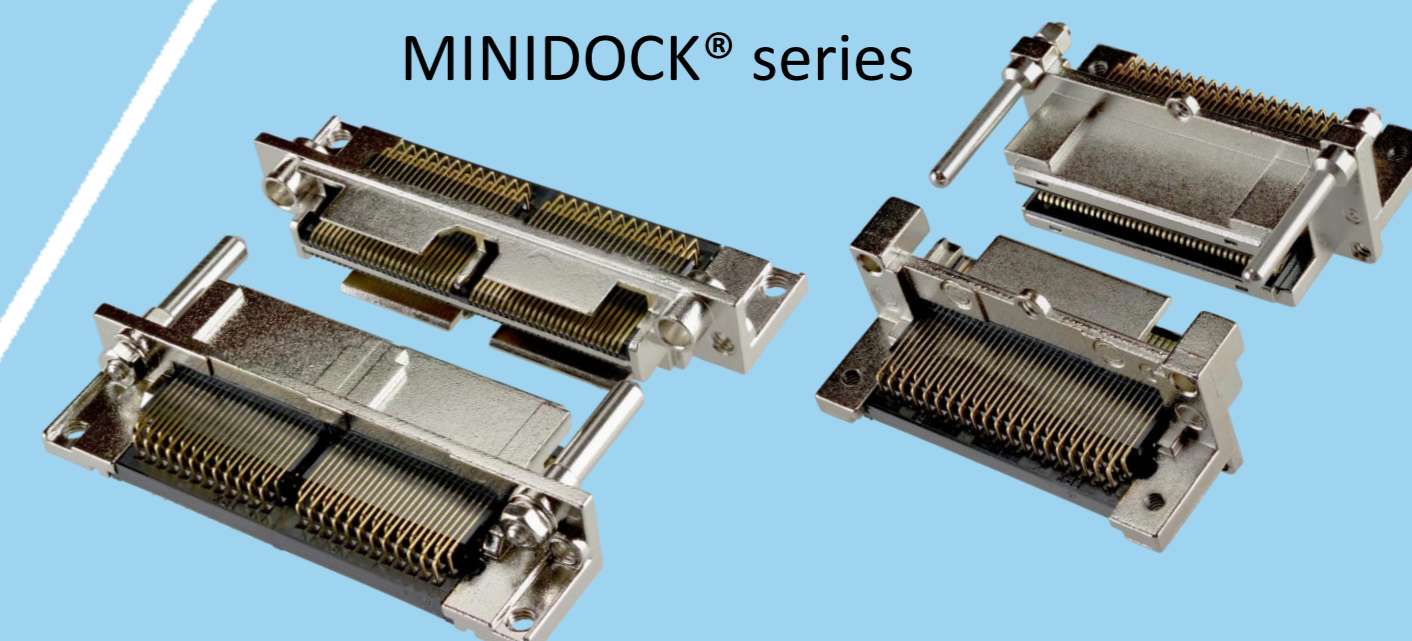


Inquiry



MINIDOCK® series

 I/O Connector



I-PEX, MHF, CABLINE, LIGHTPASS, NOVASTACK, ISH, IARPB, MINIFLEX, EVAFLEX, MINIDOCKS and ZenShield are registered trademarks of I-PEX Inc. Please note that the contents in the catalog might be changed without prior notification. I-PEX Inc. assumes no responsibility for any inaccuracies or obligation to update information on these documents. Please be sure to read and understand the latest "Precautions for Use" and "Instruction Manual" before you use our products. We shall not be responsible for any defects, damages or troubles in case you use our products without following the precautions for use. Please feel free to contact our sales representatives when you use our products for any applications that require very high reliability and safety, or that relate to human life (ex. nuclear power control, aerospace, transportation, medical equipment, safety equipment etc.).

Contact your sales representative or more detailed information.

www.i-pex.com



I-PEX

© I-PEX Inc. 2024
All rights reserved