

EVAFLEX® 5-SE-G HT

한 손 결합 작업에 대응 가능한 Auto-Lock, 고온 대응(125°C), 고속 전송 대응,수평 결합, 0.5 mm Pitch, 실드 FFC/FPC



Product Specifications:

Board Pitch (mm)	0.5	
Wiping Length (mm)	1.2	
Size (mm)	Height	3.65 +/- 0.20
	Width	Formula: 8.00 + (0.5*?p)
	Depth	7.00 +/- 0.30
Pin counts	Range	20 - 60
	Available	30, 50

Applicable FPC/FFC:

FPC/FFC Type	Shielded FFC, Non-shielded FFC/FFC
FPC/FFC Contact Point	Bottom
FPC/FFC Thickness (mm)	0.30 +/- 0.03

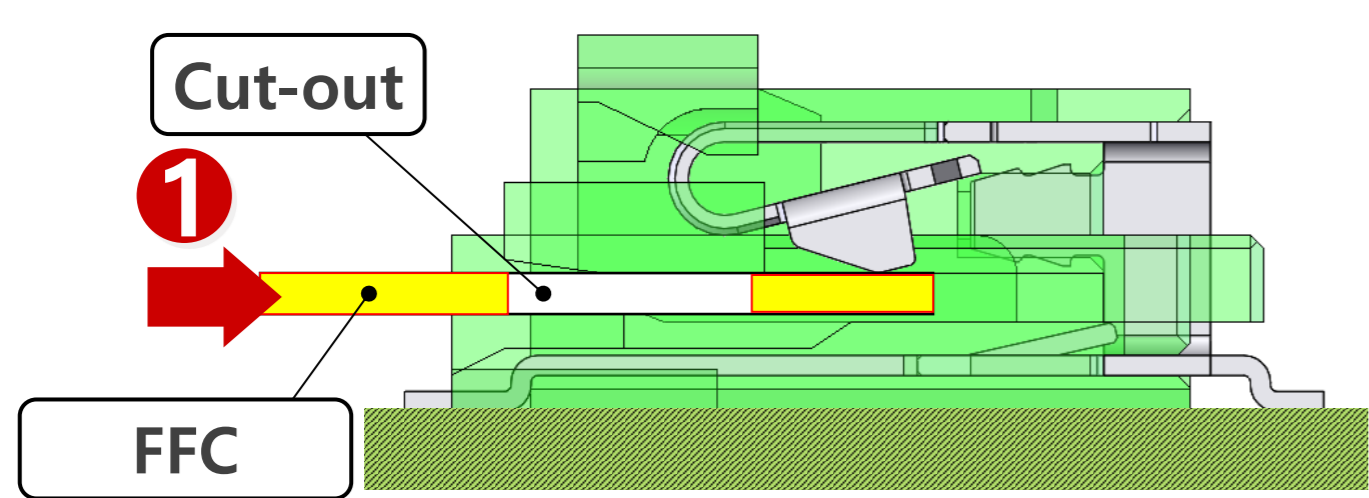
Applicable Standards (Reference Only):

eDP (2.7 Gbps) V-By-One HS 1.4 (4 Gbps)

*기재가 되어있지 않은 핀 수의 대응 여부에 대해서는 문의해 부탁드립니다.

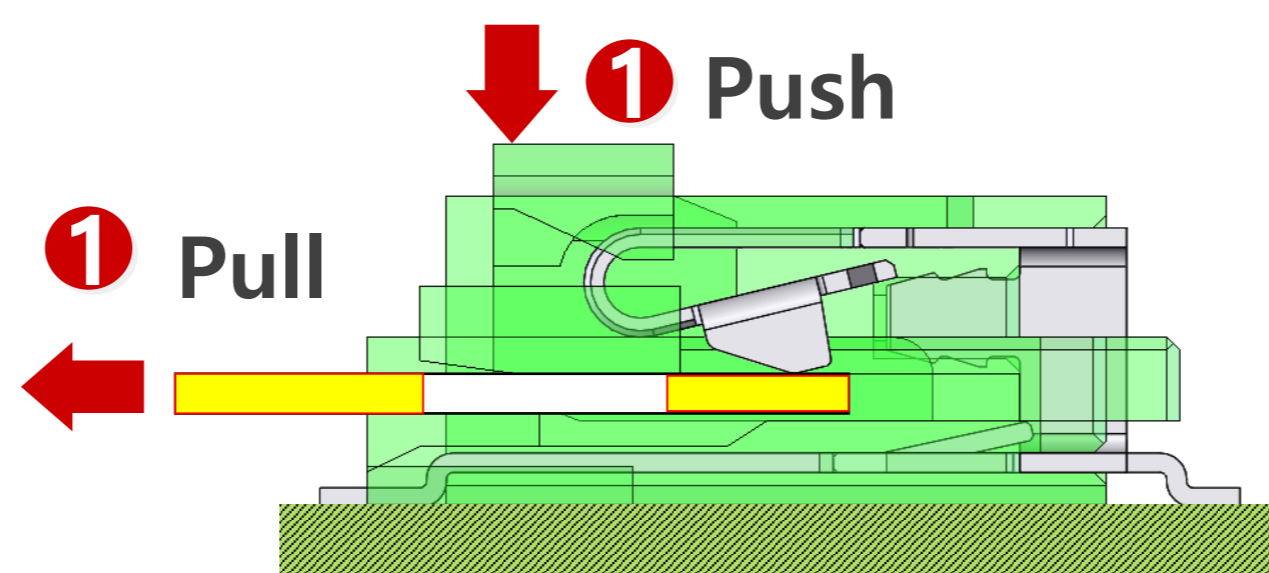
▶ 한 손으로 탈착 작업이 가능한 Auto-Lock 디자인, 수작업 또는 로봇에 의한 조립 작업에 최적

One action FFC체결

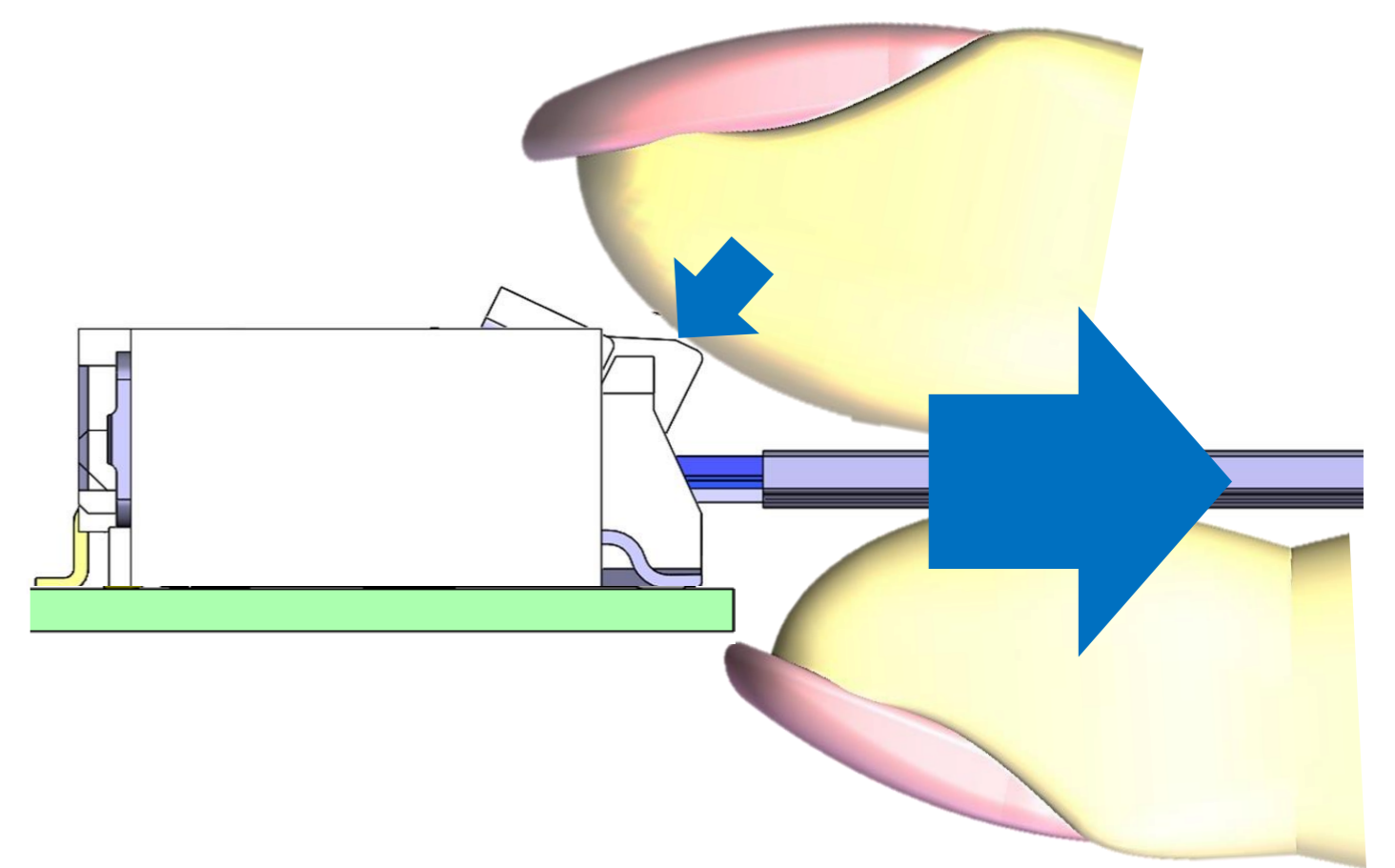


FFC 삽입

One action FFC발거



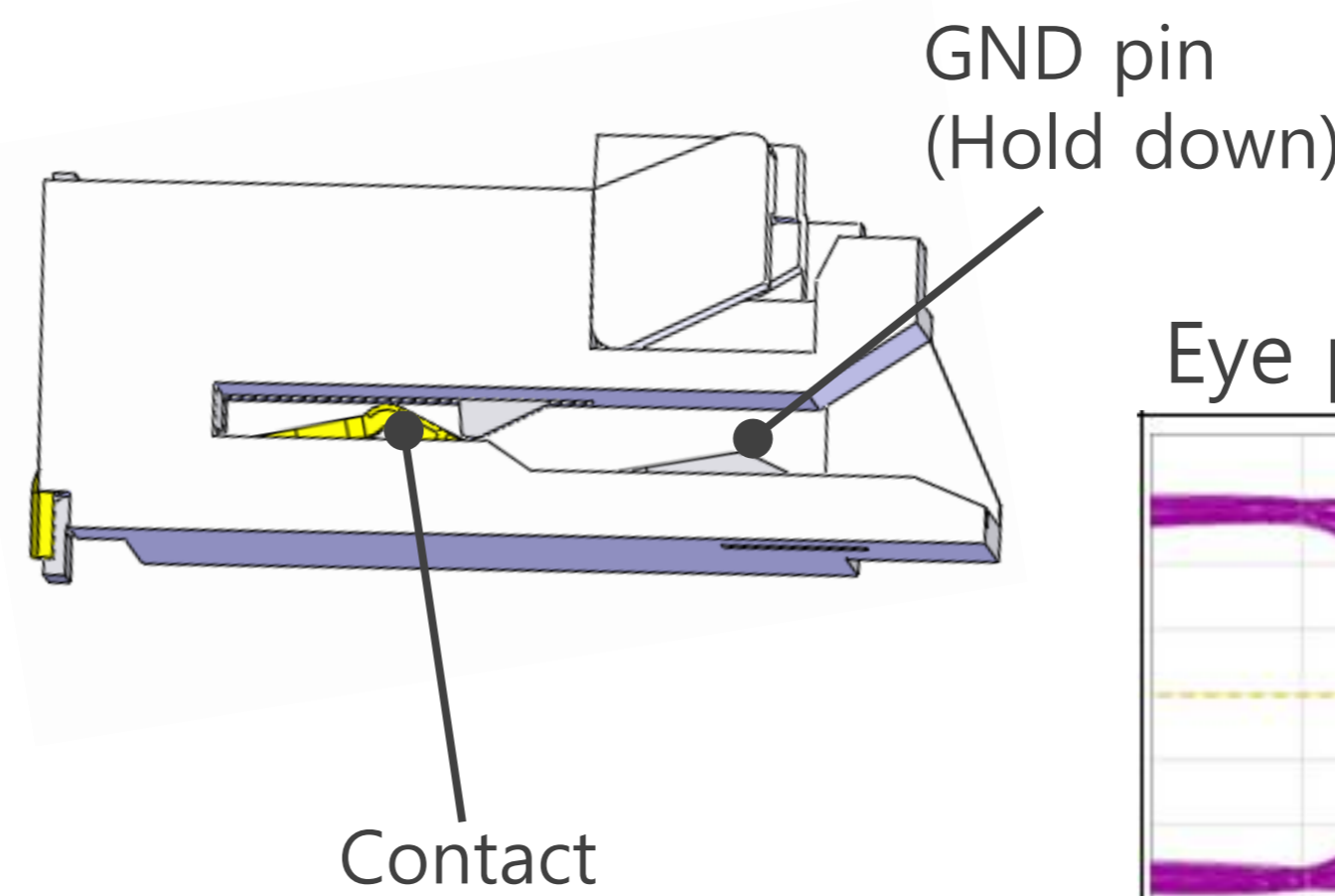
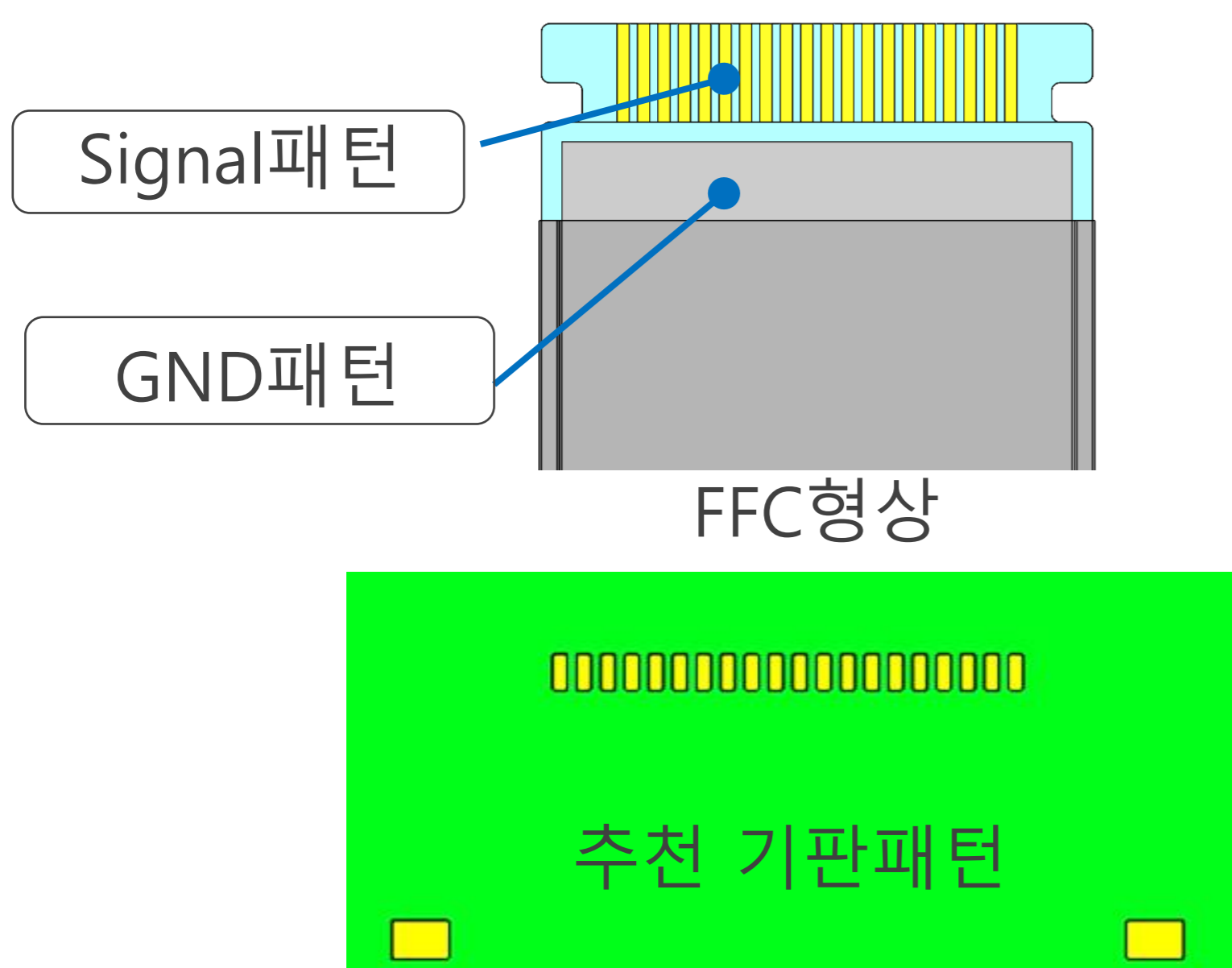
Lock해제 및 FFC발거



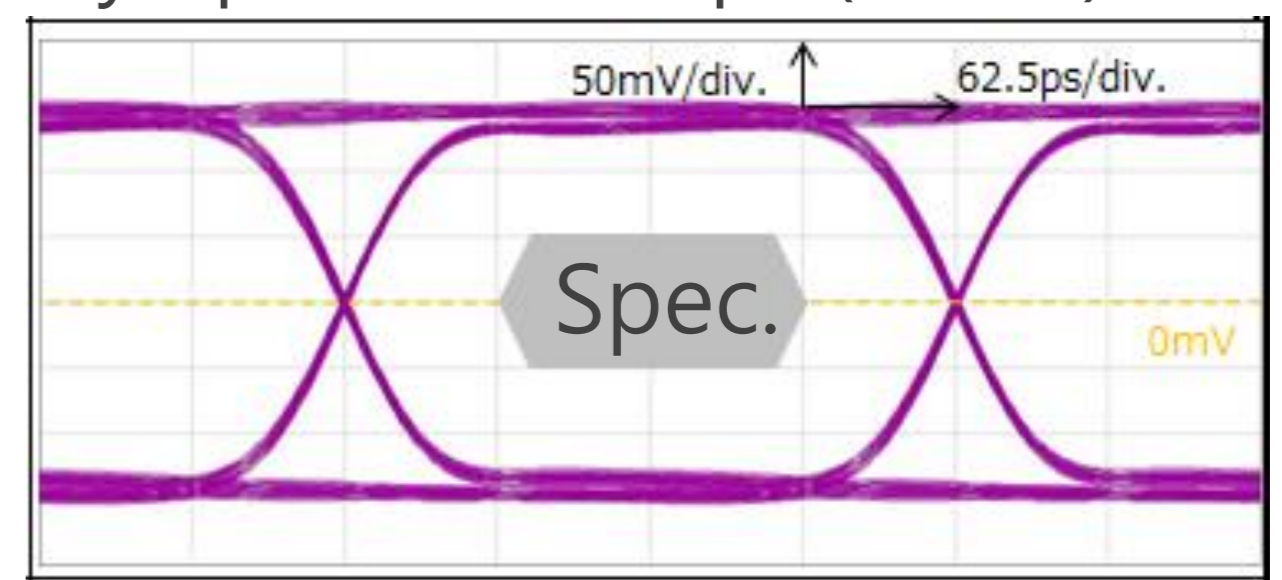
FFC를 잡음과 동시에 Lock해제 동작이 가능하도록 하였습니다

▶ 그라운드 단자를 내장한 고속 전송 설계(4+ Gbps V-by-One® HS)

Hold down을 GND로 사용 가능
전송속도 Target : 4+ Gbps(V-by-One®)



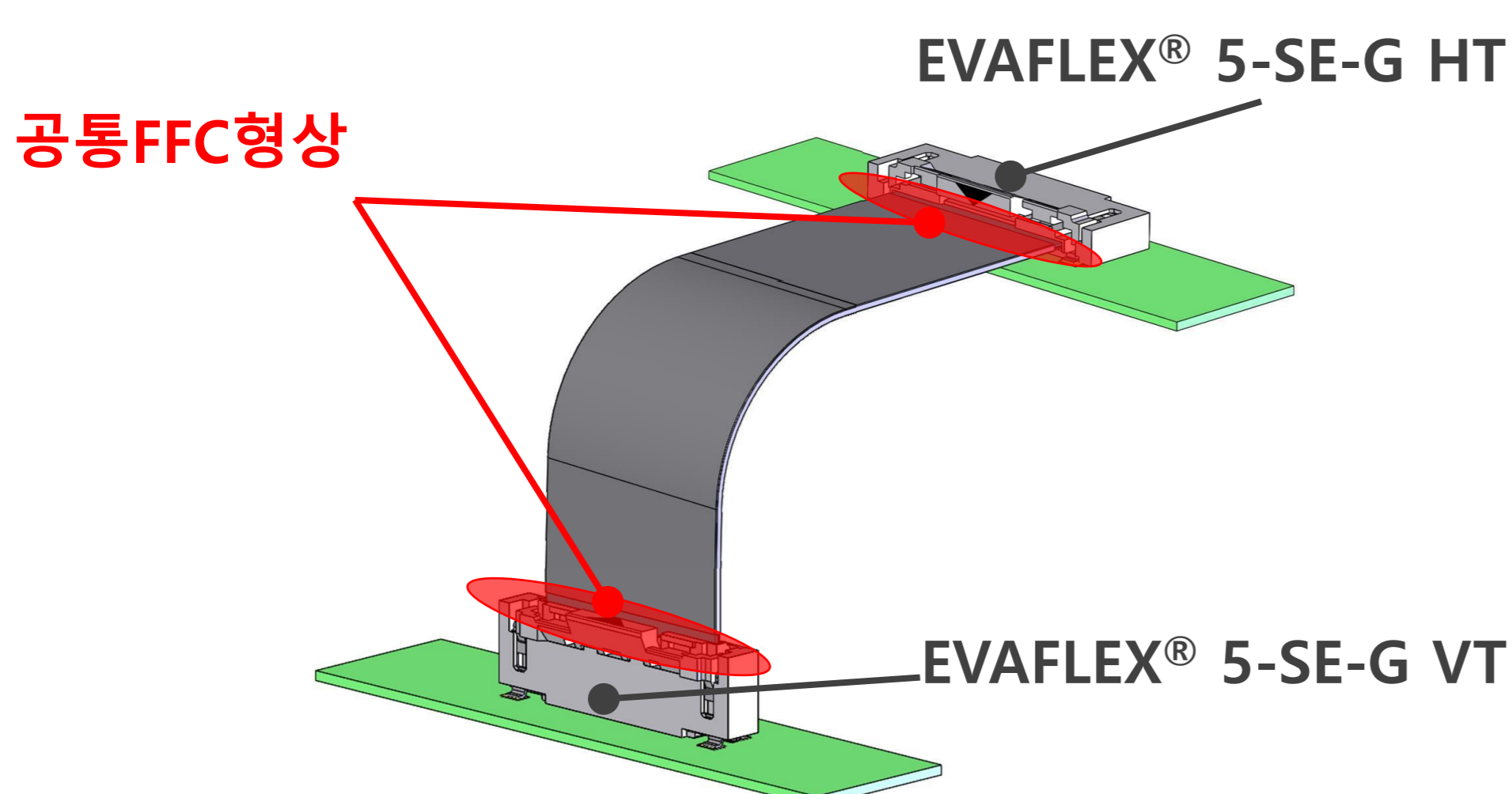
Eye pattern 4 Gbps (actual)



▶ 확장성이 높은 EVAFLEX® 시리즈로 Auto-Lock을 비롯한 다양한 옵션에 대응

동일한 FFC를 사용하는 수평결합타입: EVAFLEX® 5-SE-G VT

고속 & 소형 : EVAFLEX® 5-VS Type CH



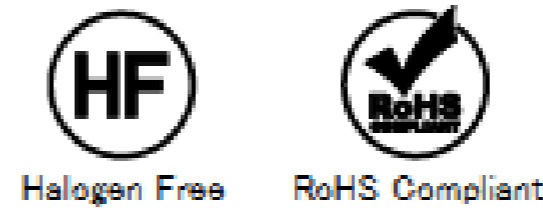
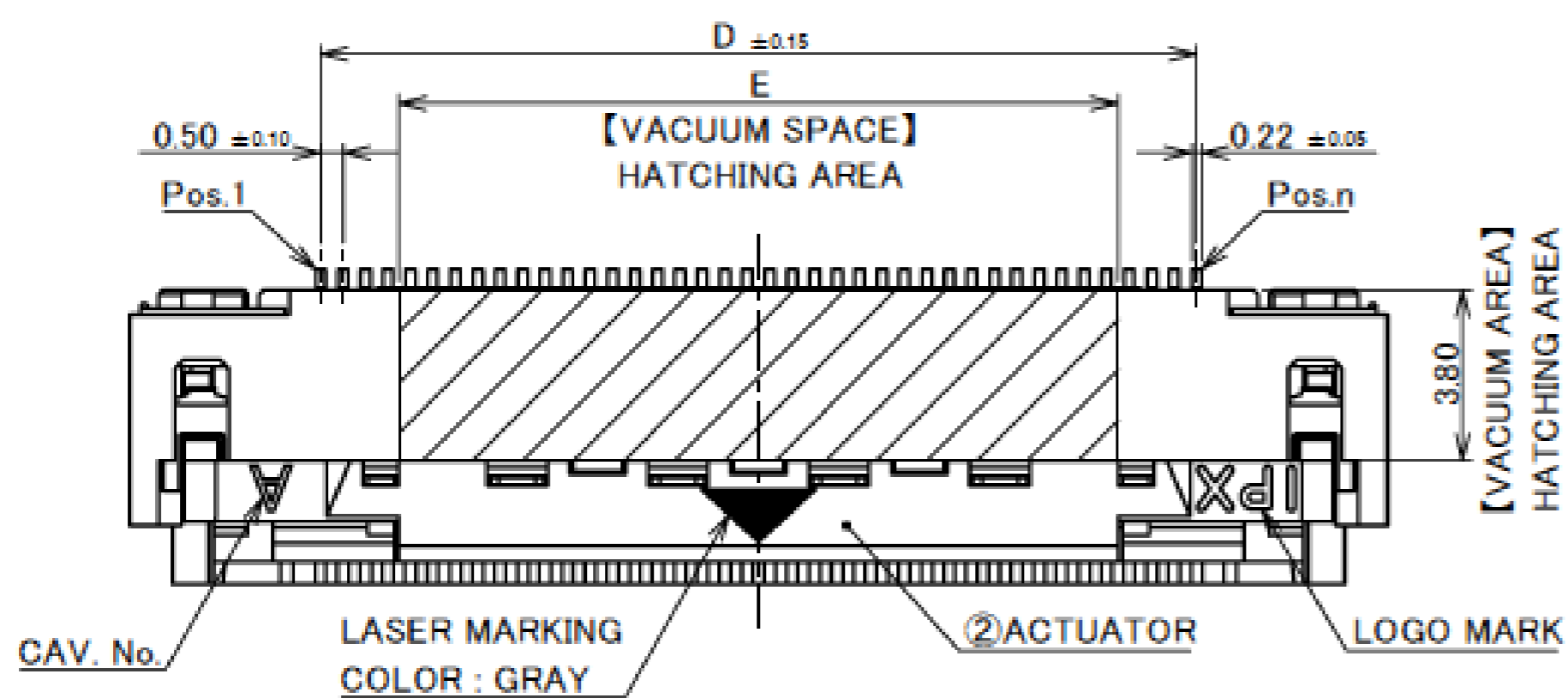
	EVAFLEX® 5-SE-G VT	EVAFLEX® 5-VS
Height (mm)	6.60 +/- 0.1	1.90 +/- 0.1
Operation Temperature	~ 125°C	~ 105°C
Reference Performance	V-by-one HS 1.4 (4+ Gbps)	PCIe Gen 3 (8+ Gbps)



Component Parts Details

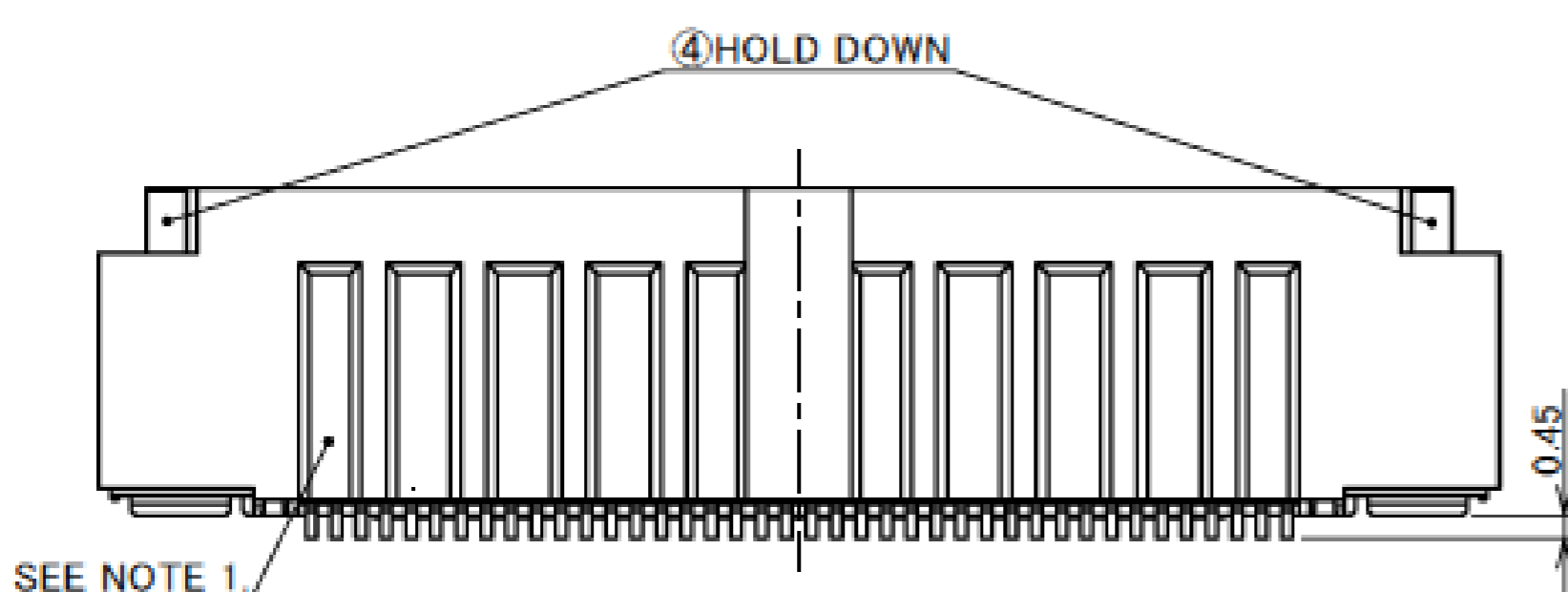
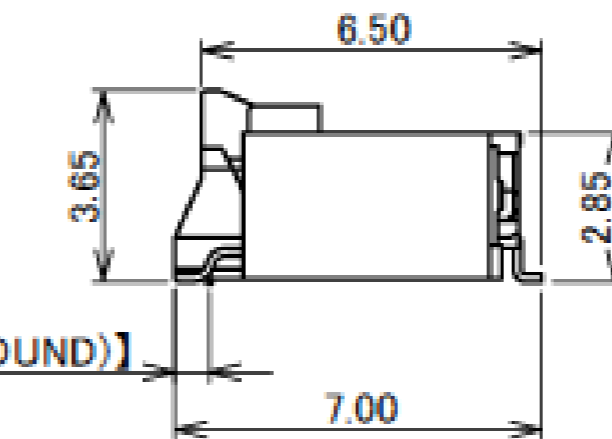
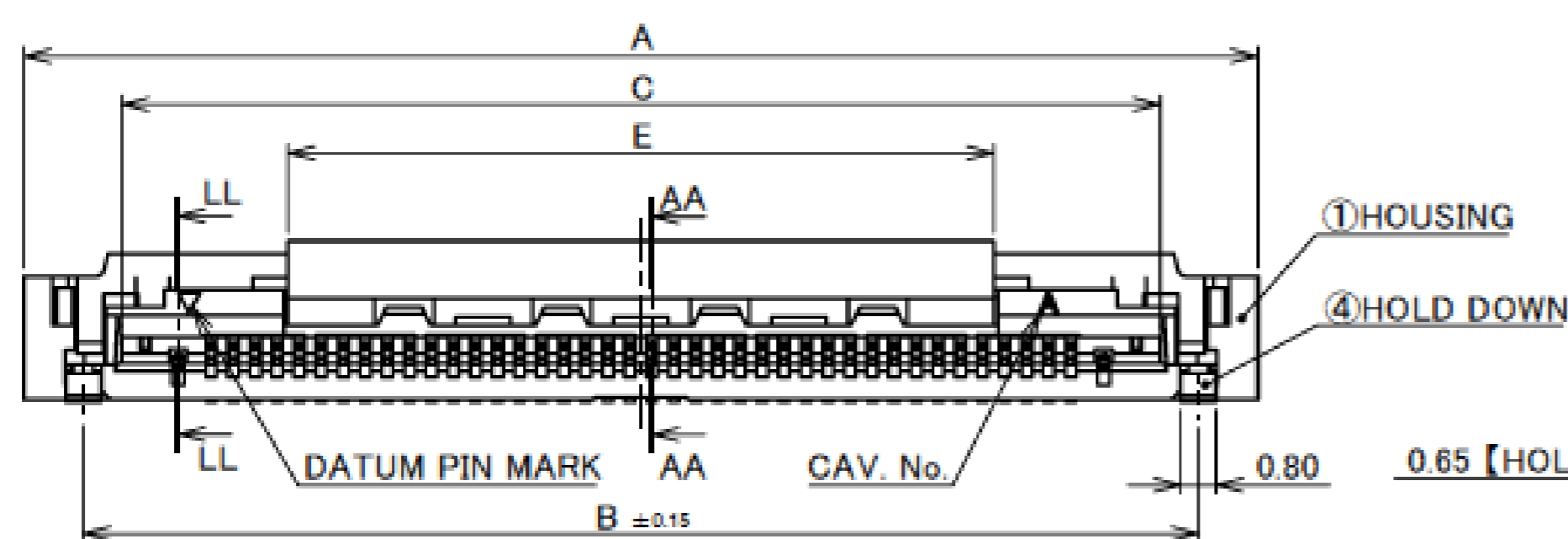
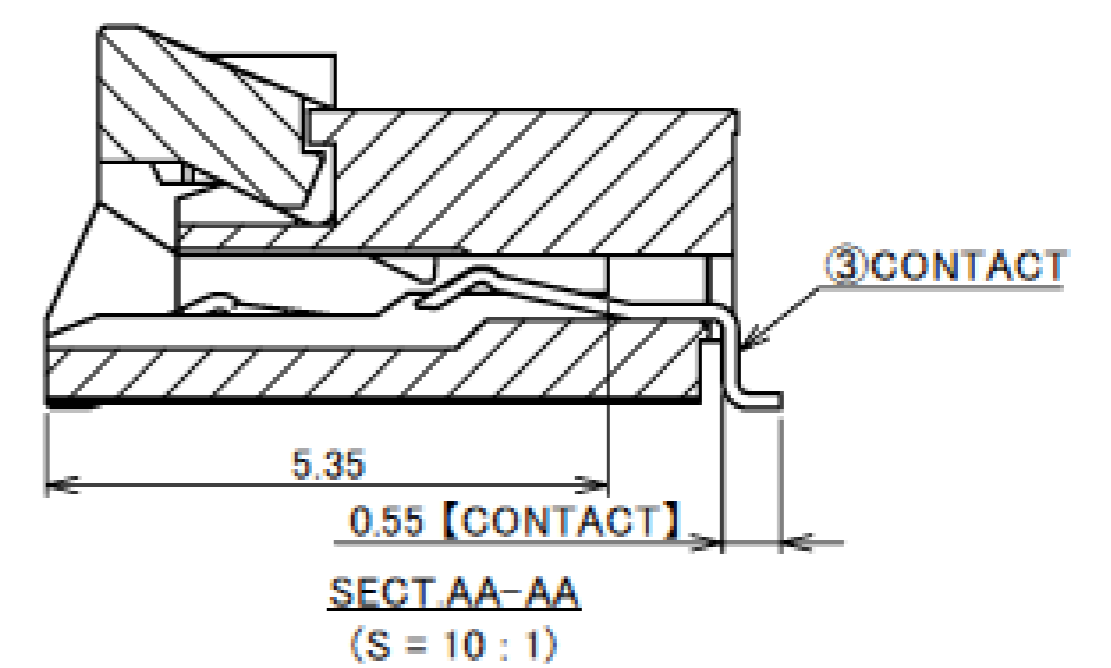
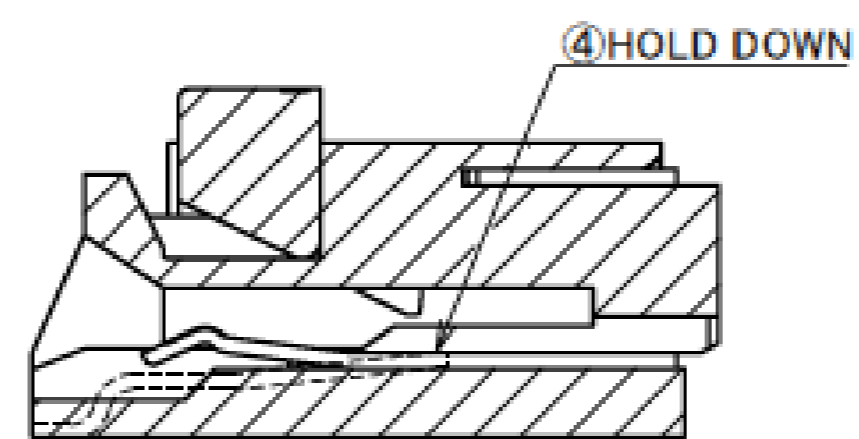
Connector Assembly

Recommended P/N 20899-0**E-01



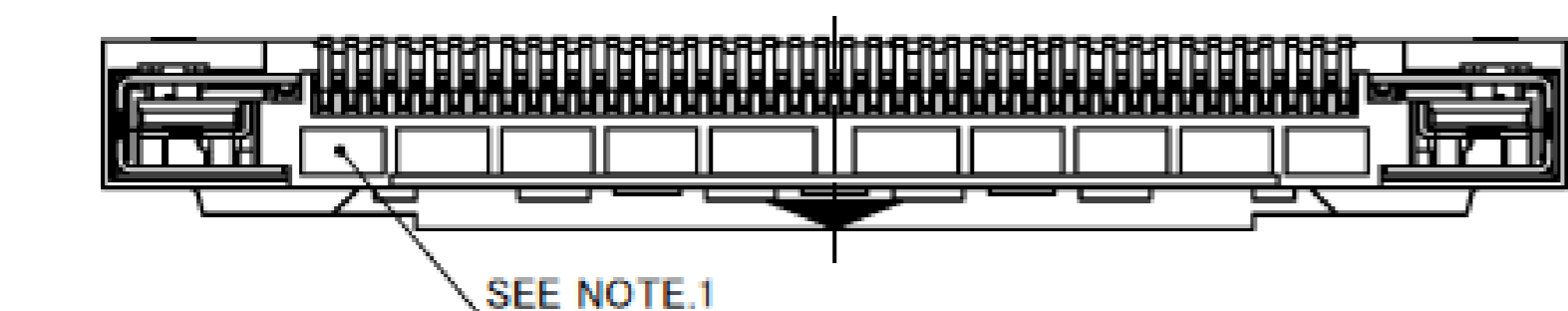
PART No.	A	B	C	D	E
◆20899-020E-01	18.00	15.30	13.56	9.50	6.00
20899-030E-01	23.00	20.30	18.56	14.50	11.00
◆20899-040E-01	28.00	25.30	23.56	19.50	16.00
20899-050E-01	33.00	30.30	28.56	24.50	21.00
◆20899-060E-01	38.00	35.30	33.56	29.50	26.00

◆MARK MEANS NOT AVAILABLE.



NOTES.
1. DENT SHAPE SHOWN ON DRAWING IS JUST FOR REFERENCE.
DENT SHAPE AND QUANTITY MIGHT CHANGE FROM DIFFERENT PIN COUNT AND DIFFERENT TOOLING.

NO.	DISCRIPTION	MATERIAL	FINISH , REMARKS
4	HOLD DOWN	CORSON ALLOY	SOLDERING AREA : Au 0.03μm MIN. OVER Ni 1.00μm MIN.
3	CONTACT	CORSON ALLOY	CONTACT AREA AND SOLDERING AREA : Au 0.03μm MIN. OVER Ni 1.00μm MIN.
2	ACTUATOR	LCP	UL94V-0, BEIGE
1	HOUSING	LCP	UL94V-0, BEIGE

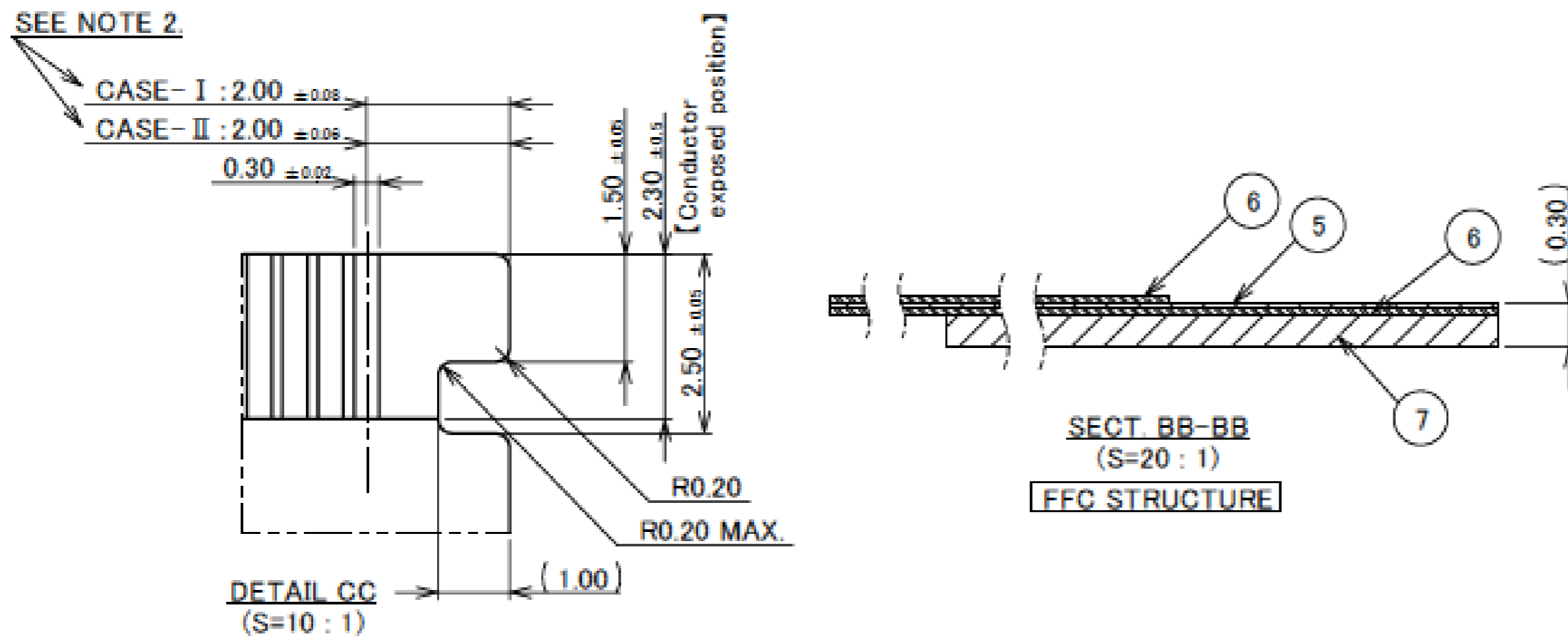
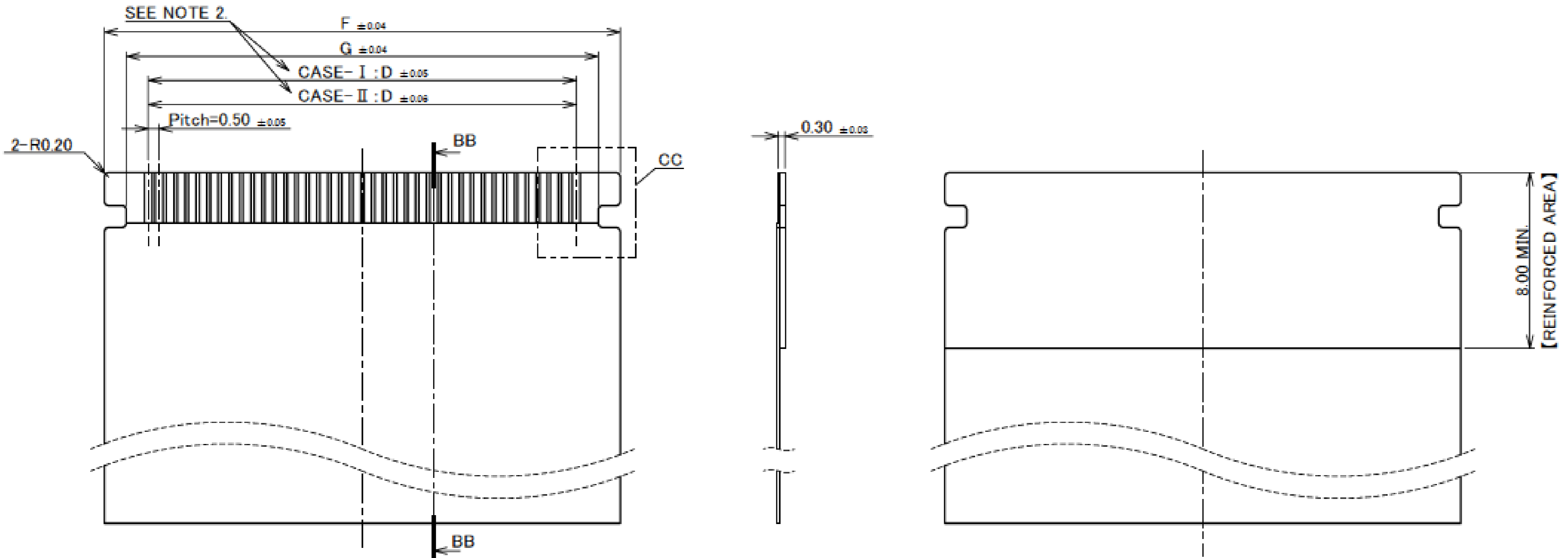


Connector Assembly

PART No.	D	F	G
◆20899-020E-01	9.50	13.50	11.50
20899-030E-01	14.50	18.50	16.50
◆20899-040E-01	19.50	23.50	21.50
20899-050E-01	24.50	28.50	26.50
◆20899-060E-01	29.50	33.50	31.50

◆MARK MEANS NOT AVAILABLE.

RECOMMENDED FFC LAYOUT 【NON SHIELDED TYPE】



NOTES.

2. MANUFACTURE CASE- I or II
3. SELECT A MATERIAL WITH A SOFTENING TEMPERATURE OF 85°C OR HIGHER FOR THE PATTERN ADHESIVE PART OF FFC.

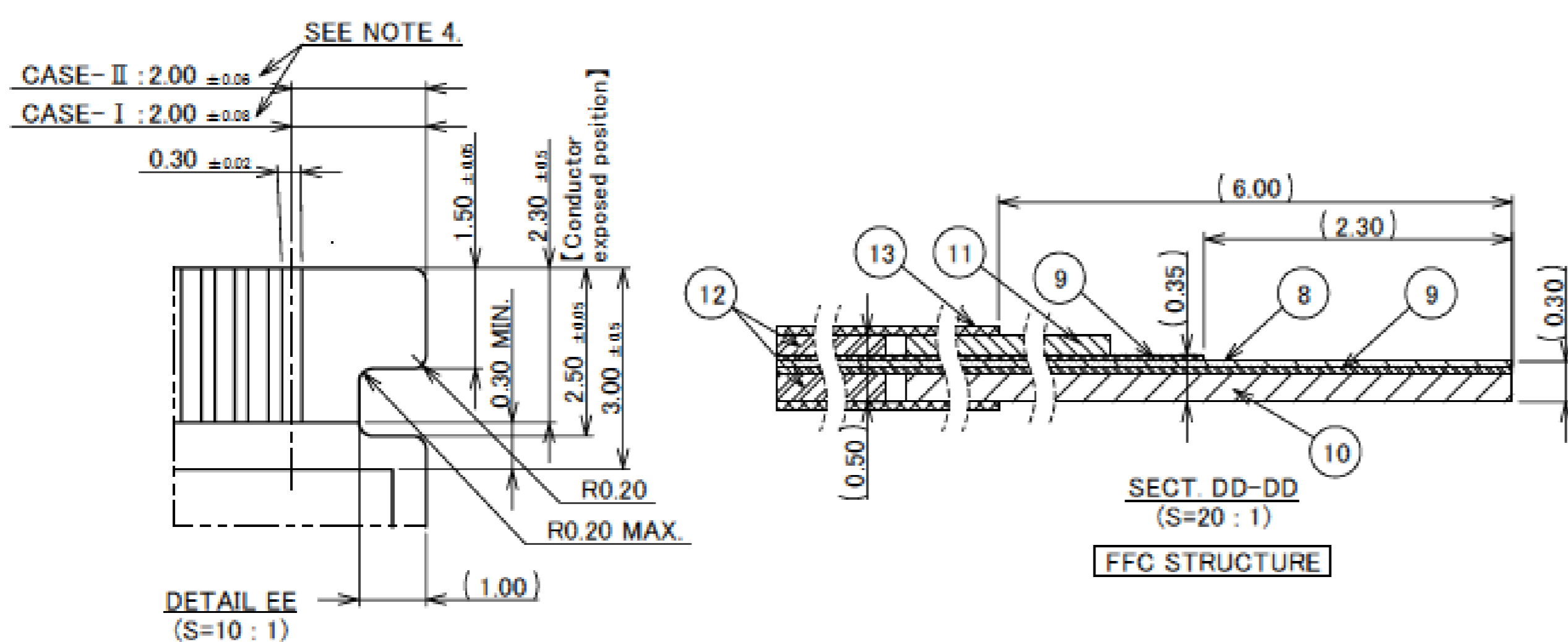
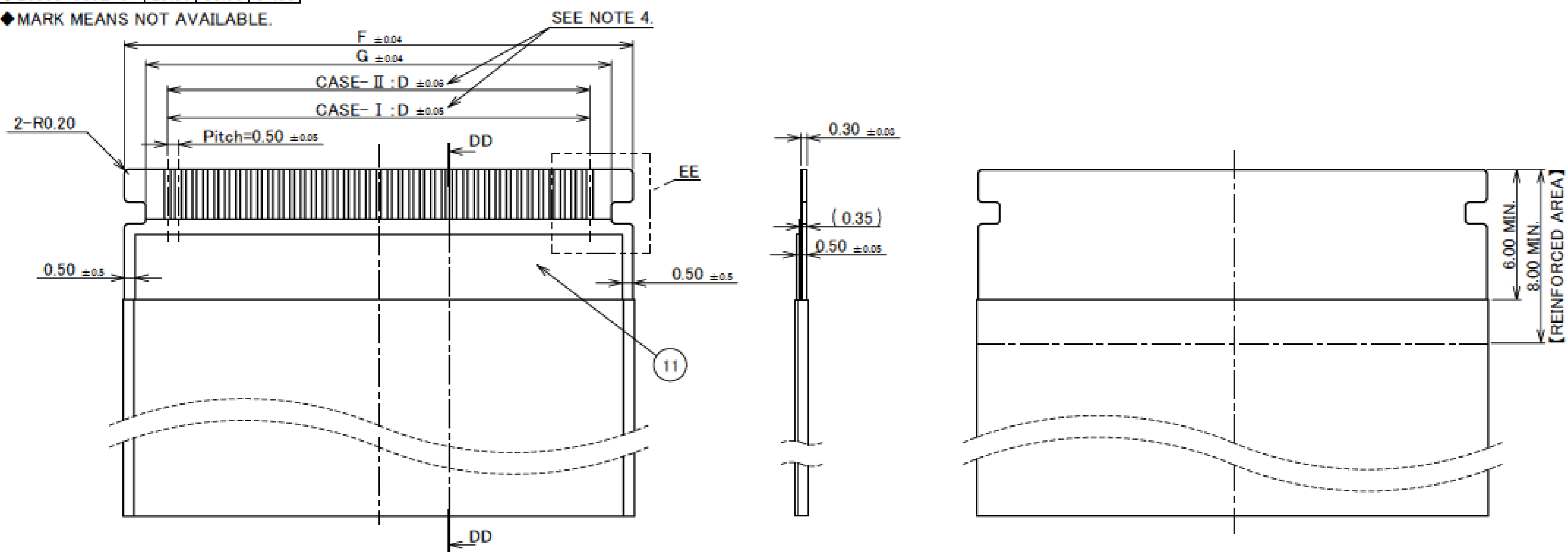
NO.	COMPONENTS	MATERIAL	FINISH
7	REINFORCED TAPE	ARBITRARY	
6	INSULATION FILM	ARBITRARY	
5	CONDUCTOR	COPPER ALLOY	CONTACT AREA : Au 0.05 μm MIN. OVER Ni 0.5 μm MIN.

Rev.6

PART No.	D	F	G
◆20899-020E-01	9.50	13.50	11.50
20899-030E-01	14.50	18.50	16.50
◆20899-040E-01	19.50	23.50	21.50
20899-050E-01	24.50	28.50	26.50
◆20899-060E-01	29.50	33.50	31.50

◆MARK MEANS NOT AVAILABLE.

RECOMMENDED FFC LAYOUT 【SHIELDED TYPE】



NOTES.

4. MANUFACTURE CASE- I or II
5. DIFFERENTIAL IMPEDANCE : 100±10Ω
6. SELECT A MATERIAL WITH A SOFTENING TEMPERATURE OF 85°C OR HIGHER FOR THE PATTERN ADHESIVE PART OF FFC.

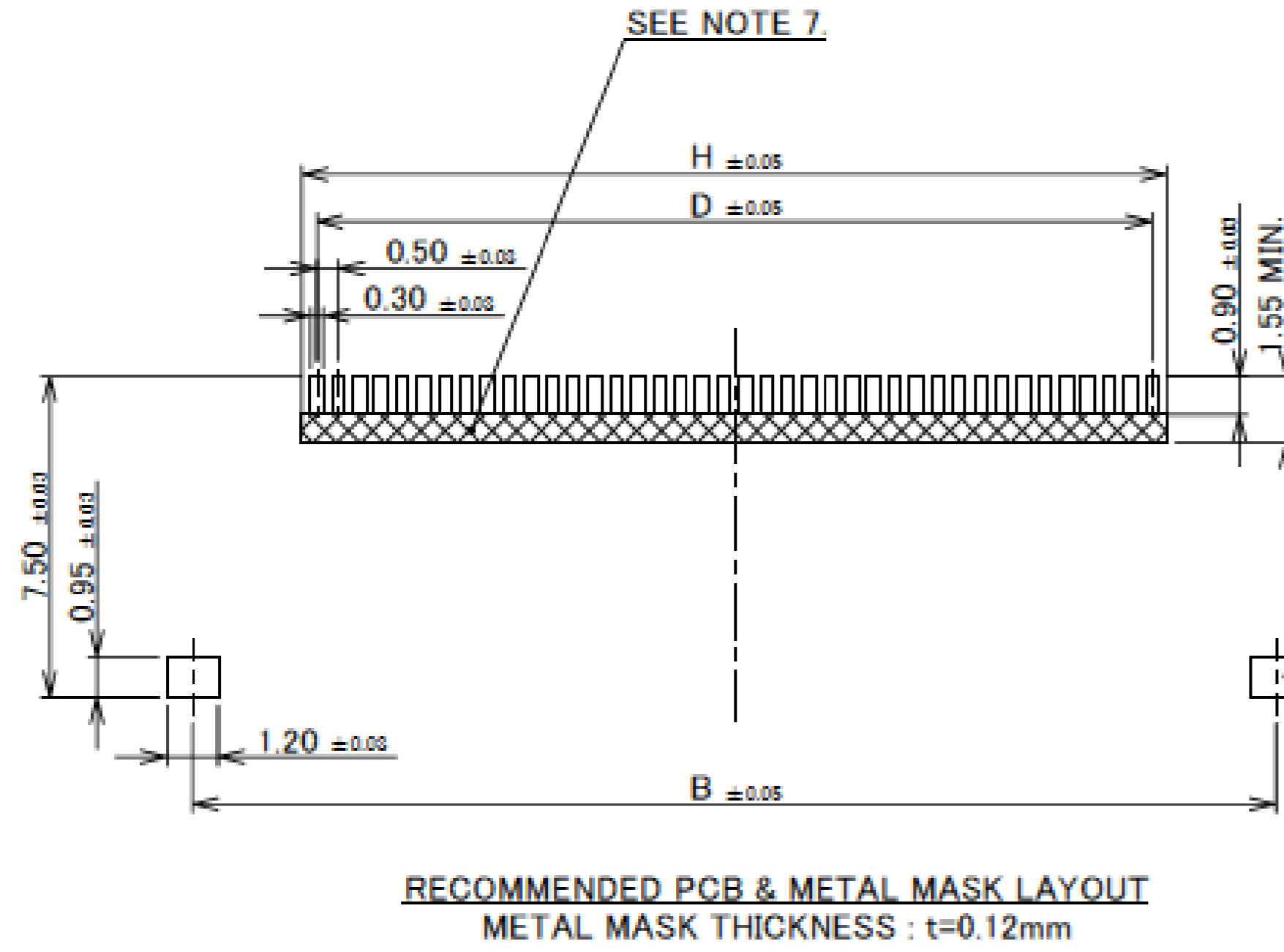
NO.	COMPONENTS	MATERIAL	FINISH
13	SHIELD TAPE	METALLIC FILM	
12	INTERLAYER	ARBITRARY	
11	GROUND PLATE	METALLIC FILM	POLISH or HALF POLISH Sn PLATING
10	REINFORCED TAPE	ARBITRARY	
9	INSULATION FILM	ARBITRARY	
8	CONDUCTOR	COPPER ALLOY	CONTACT AREA : Au 0.05 μm MIN. OVER Ni 0.5 μm MIN.

Rev.6

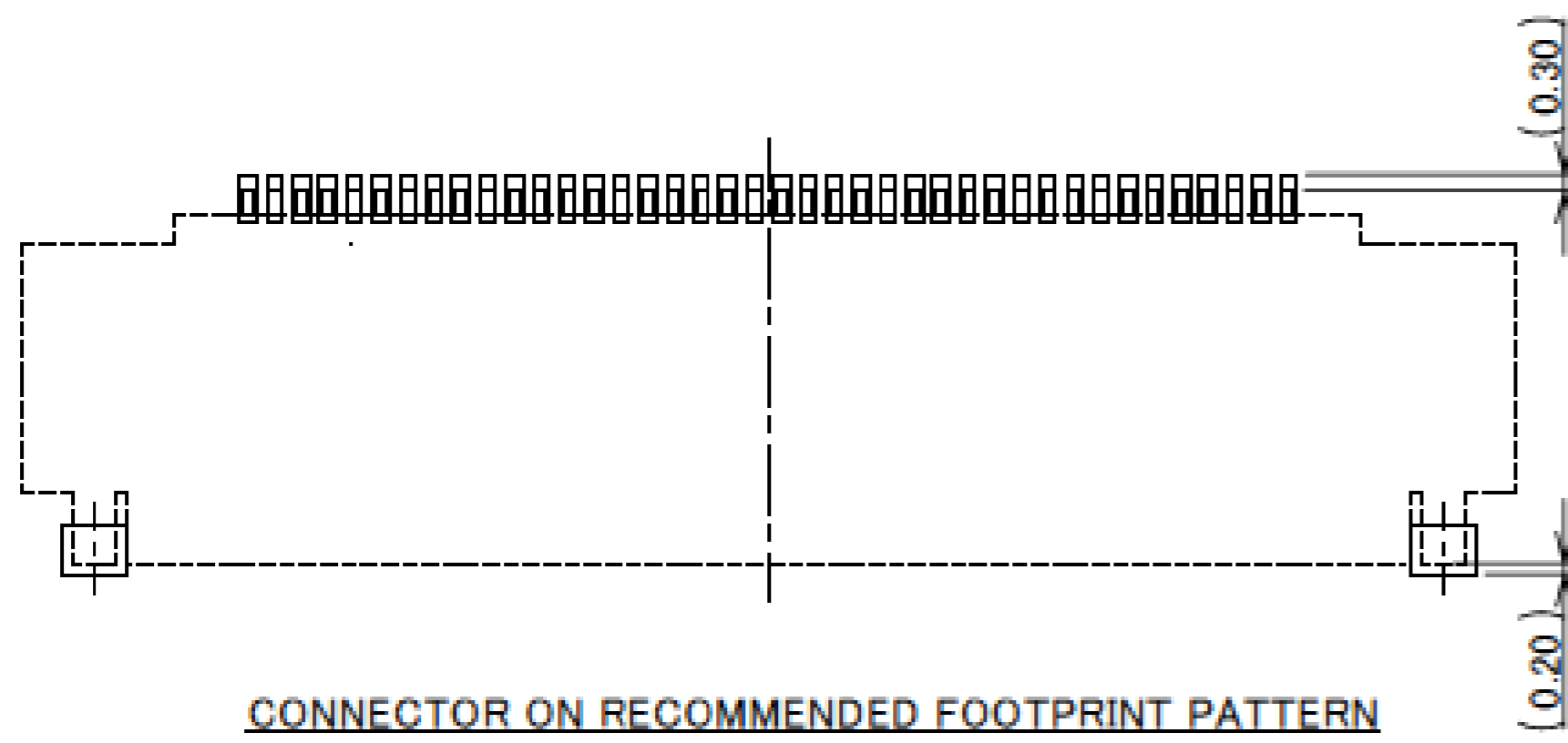
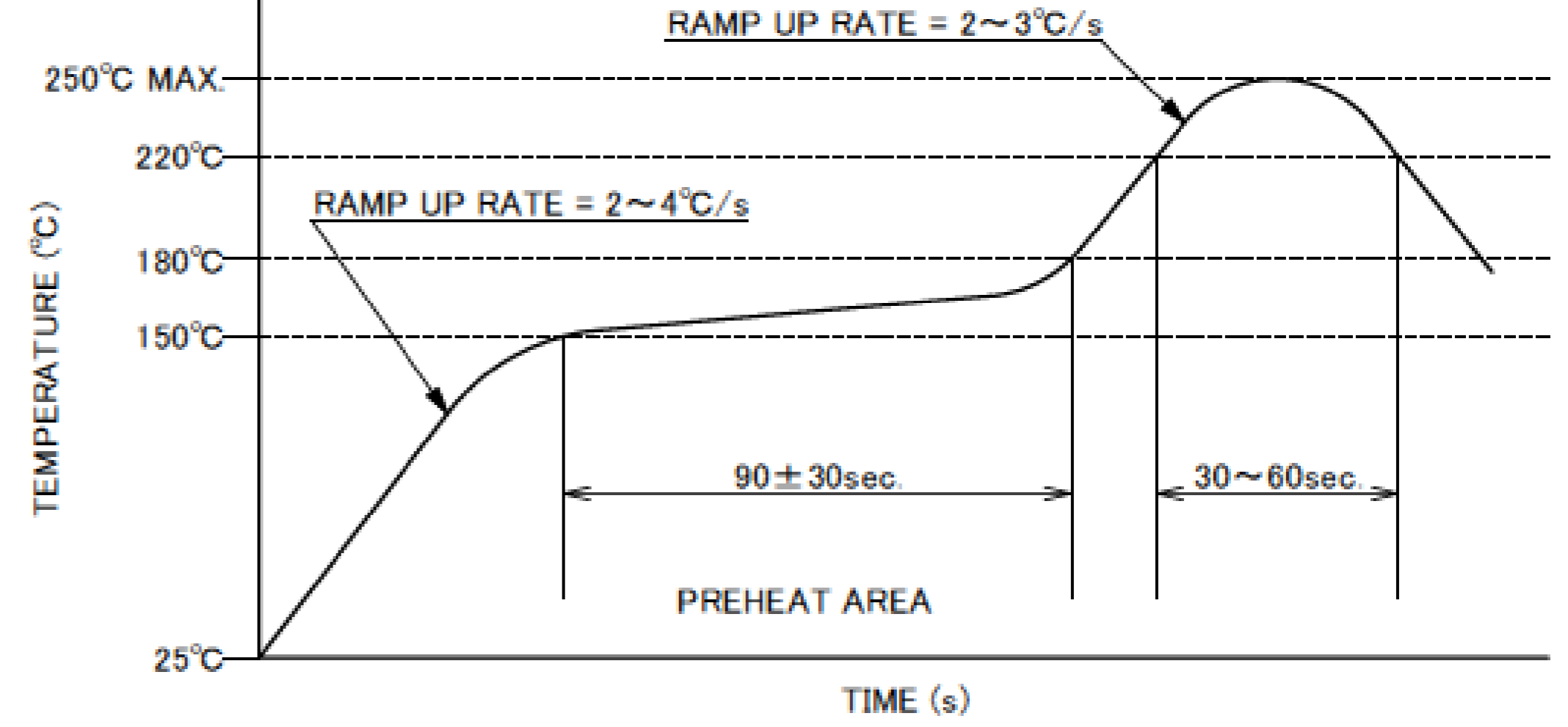
Connector Assembly

PART No.	B	D	H
◆20899-020E-01	15.30	9.50	10.20
20899-030E-01	20.30	14.50	15.20
◆20899-040E-01	25.30	19.50	20.20
20899-050E-01	30.30	24.50	25.20
◆20899-060E-01	35.30	29.50	30.20

◆MARK MEANS NOT AVAILABLE.



HOLD DOWN / ※GROUND PAD
(※WITH SHIELDED FPC / FFC)



NOTES

7. SOLDER RESIST MUST BE APPLIED TO THIS AREA.

Rev.6

ITEMS	SPECIFICATION
RATING VOLTAGE	50V AC/DC (PER CONTACT PIN)
RATING AMPERAGE	0.35A AC/DC (PER CONTACT PIN) AVAILABLE FOR ALL CONTACTS 0.5A AC/DC (PER CONTACT PIN) AVAILABLE UP TO 15 CONTACTS
OPERATING TEMPERATURE	233~398K(-40°C~+125°C)
OPERATING HUMIDITY	85% MAX.
CONTACT RESISTANCE	INITIAL : 60mohm MAX. / AFTER TEST : 140mohm MAX.
INSULATION RESISTANCE	500Mohm MIN.
DIELECTRIC WITHSTANDING VOLTAGE	AC250V 1min
DURABILITY	50TH CYCLES
FPC/FFC MATING FORCE (INITIAL / 50TH CYCLES)	20P : 15.00 N MAX. 30P : 22.00 N MAX. 40P : 29.00 N MAX. 50P : 36.00 N MAX. 60P : 43.00 N MAX.
FPC/FFC UNMATING FORCE (INITIAL / 50TH CYCLES)	20P : 2.00 N MIN. 30P : 2.70 N MIN. 40P : 3.40 N MIN. 50P : 4.10 N MIN. 60P : 4.80 N MIN.
FPC/FFC RETENTION FORCE (INITIAL / AFTER TEST)	20P : 11.00 N MIN. 30P : 11.70 N MIN. 40P : 12.40 N MIN. 50P : 13.10 N MIN. 60P : 13.80 N MIN.
COPLANARITY	0.10 MAX.
PRODUCT SPECIFICATION	PRS-2470
TEST REPORT	TR-18020
PACKING STANDARD	PST-19019
INSTRUCTION MANUAL	HIM-18018
APPEARANCE CRITERIA No.	QLS-A***

Rev.6

Custom Connectors Available

 RF Connectors

MHF® series



CABLINE® series



Micro-coaxial/Twinax Connectors

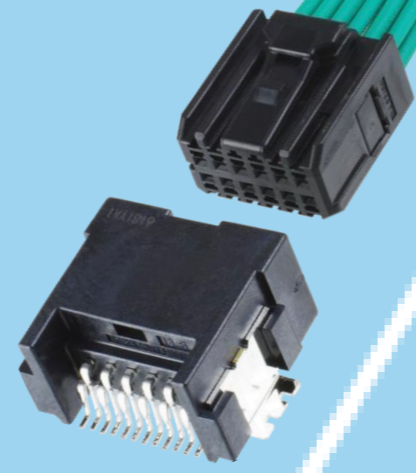


Wire-to-Board Connectors/Terminals

AP series



ISH® series



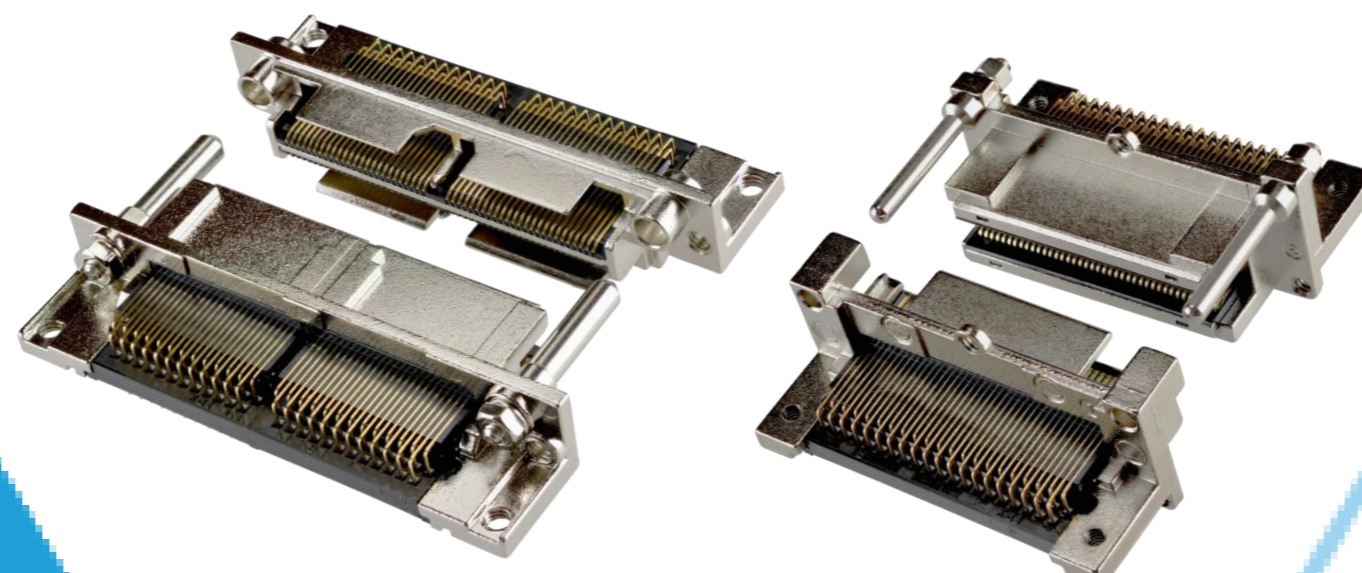
NOVASTACK® series



Board-to-Board Connectors



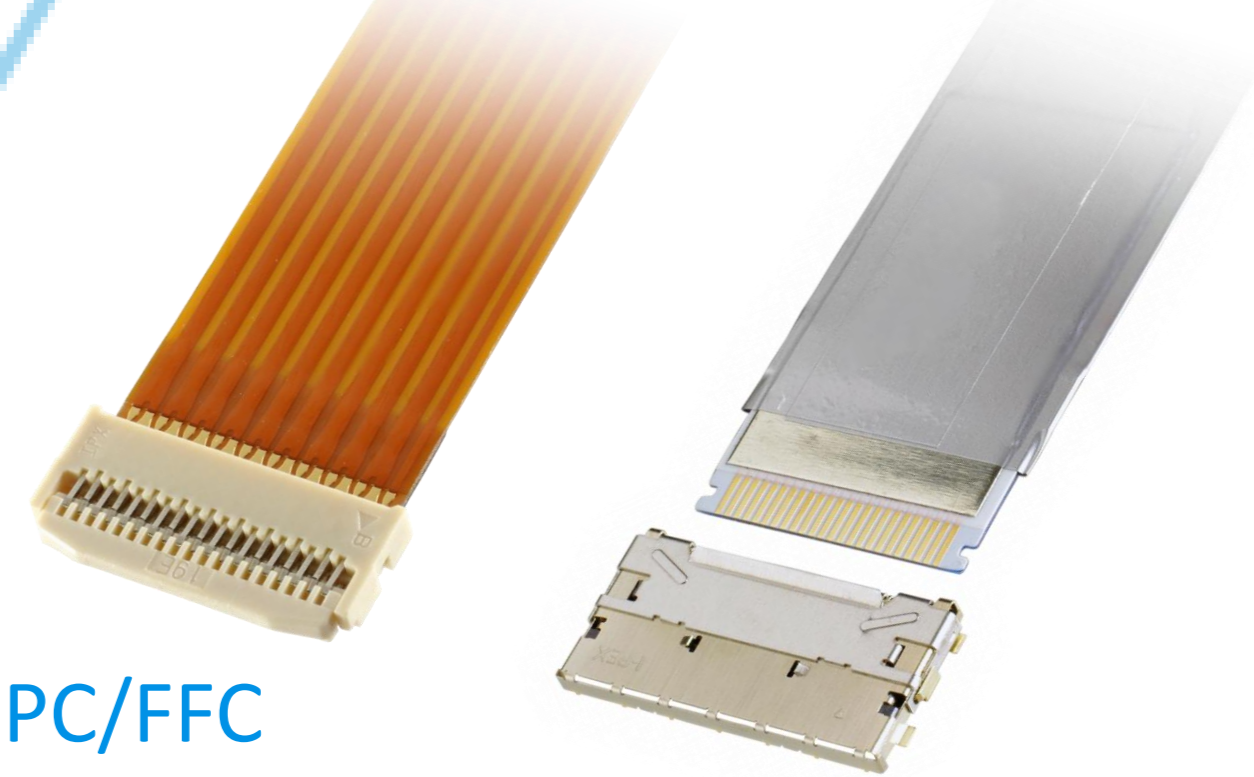
I/O Connectors



MINIDOCK™ series

MINIFLEX® series

EVAFLEX® series



FPC/FFC Connectors



Inquiry



I-PEX, MHF, CABLINE, NOVASTACK, ISH, IARPB, MINIFLEX, EVAFLEX, MINIDOCK and ZenShield are registered trademarks of I-PEX Inc. Please note that the contents in the catalog might be changed without prior notification. I-PEX Inc. assumes no responsibility for any inaccuracies or obligation to update information on these documents. Please be sure to read and understand the latest "Precautions for Use" and "Instruction Manual" before you use our products. We shall not be responsible for any defects, damages or troubles in case you use our products without following the precautions for use. Please feel free to contact our sales representatives when you use our products for any applications that require very high reliability and safety, or that relate to human life (ex. nuclear power control, aerospace, transportation, medical equipment, safety equipment etc.).

Contact your sales representative or more detailed information.

www.i-pex.com



I-PEX

© I-PEX Inc. 2025
All rights reserved