

CABLINE®- UY

較低嵌合高度 (嵌合高度 0.82 mm max.) · 適用於高速數據傳輸(32 Gbps/lane) · 較窄間距 (0.35 mm pitch) · 90度出線垂直插拔款的極細同軸線連接器

Product Specifications:

Mating Type	Right angle vertical	
Board Pitch	0.35 mm	
Wiping Length	0.1 mm	
Mated Size	Height	0.82 mm max.
	Width	2.15 + (0.35 x pin count) mm
	Depth	3.10 mm
Pin Counts	Range	Up to 25
	Available	5, 10

Applicable Cable Size:

Maximum O.D.	0.35 mm
Micro-Coaxial for Signal	45 ohm: AWG 40 or smaller
	50 ohm: AWG 42 or smaller
Twinaxial	-
Discrete	AWG 36 or smaller

Applicable Standards (Reference Only):

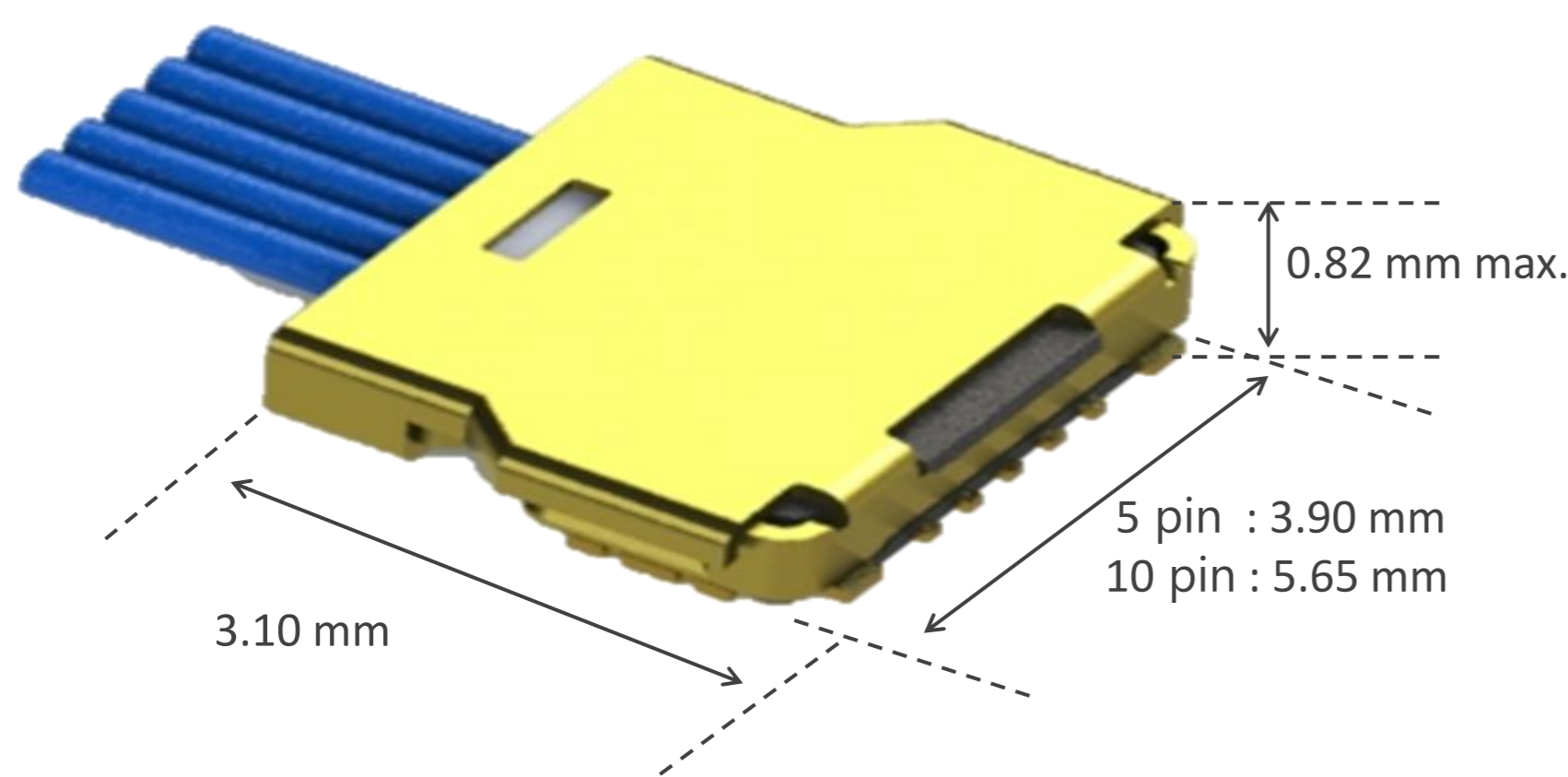
32 Gbps/Lane, USB4 Gen4 (40 Gbps/Lane PAM3)
USB4 Gen3/Thunderbolt 4 (20 Gbps/lane)



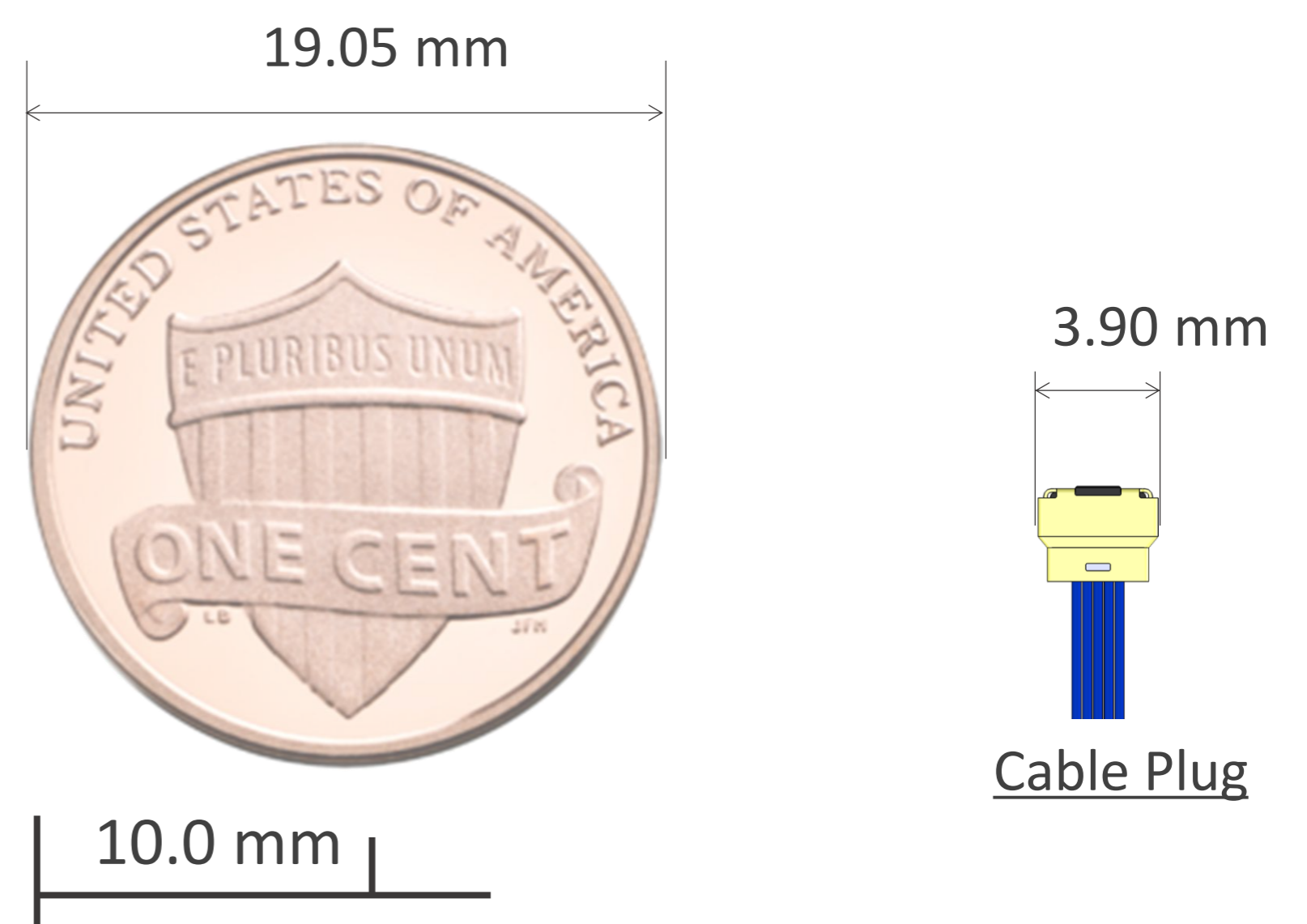
*若有規格外 P in 數需求, 請與當地負責業務窗口聯繫。

▶ 小而低的設計，適用於狹窄的空間

連接器組合大小



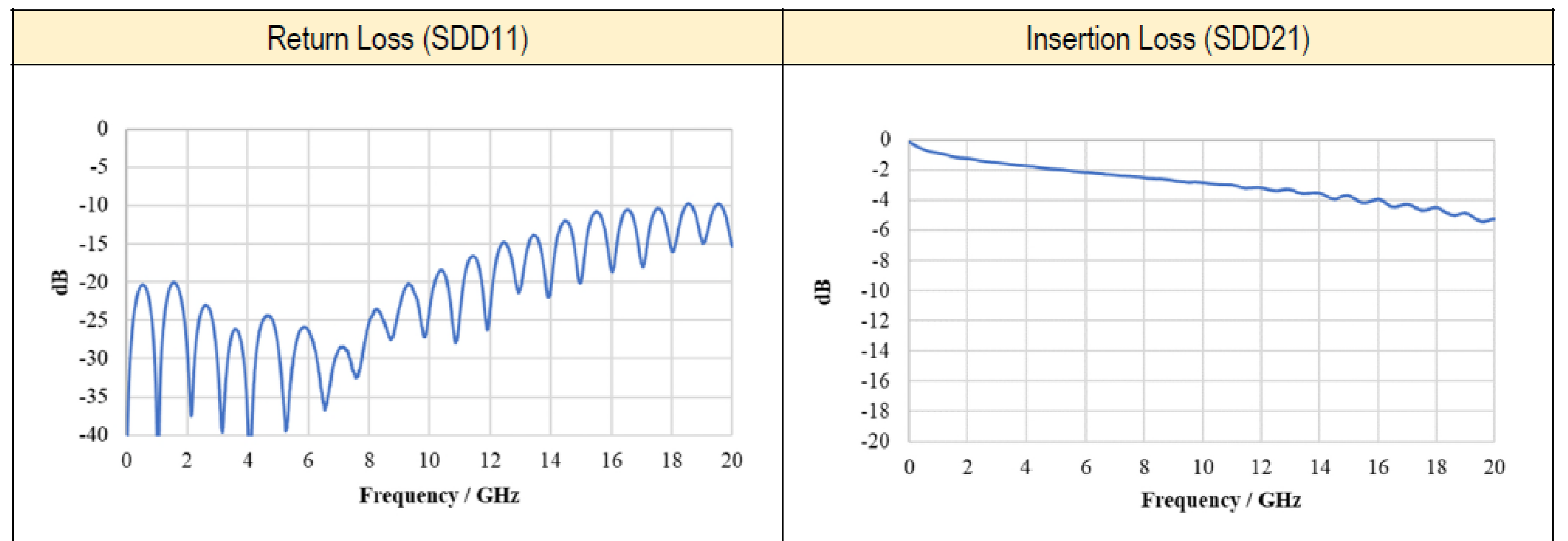
5 pin 公座和一美分硬幣大小比較



▶ 高速率傳輸, 32 Gbps/lane應用的理想選擇

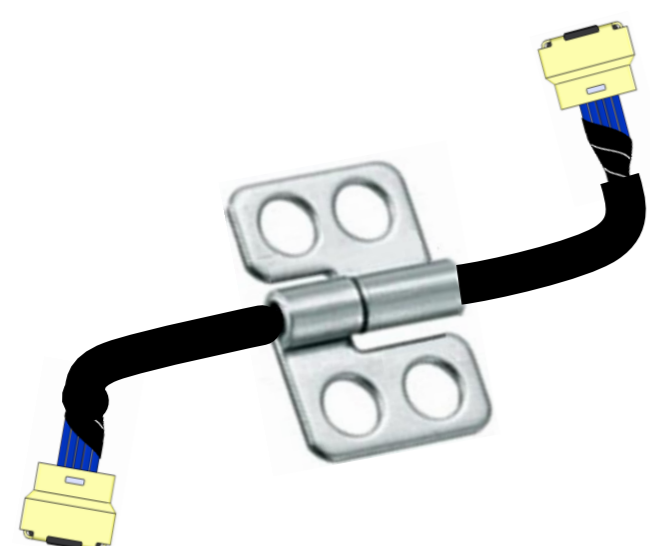
Measurement results

Connector: CABLINE-UY 10 pin
Cable: Micro-coaxial cable
AWG 42, 50 ohm, Length: 100 mm
Pin Assignment: GSSGSSG

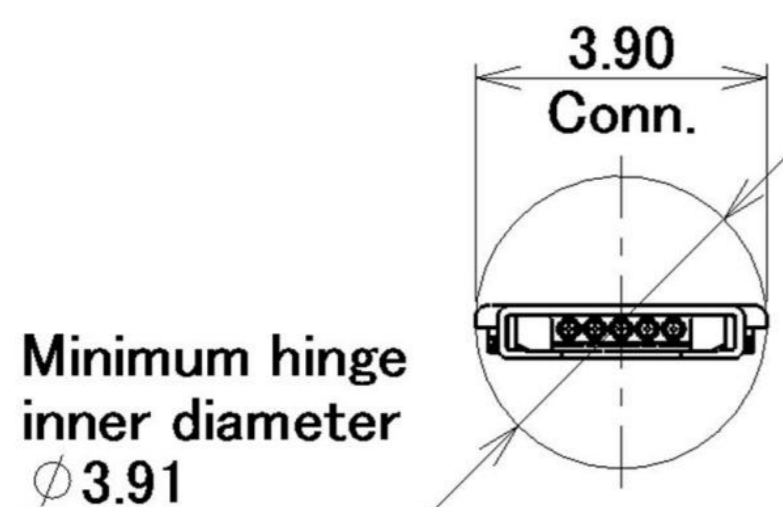


▶ 適於穿孔的窄小型設計

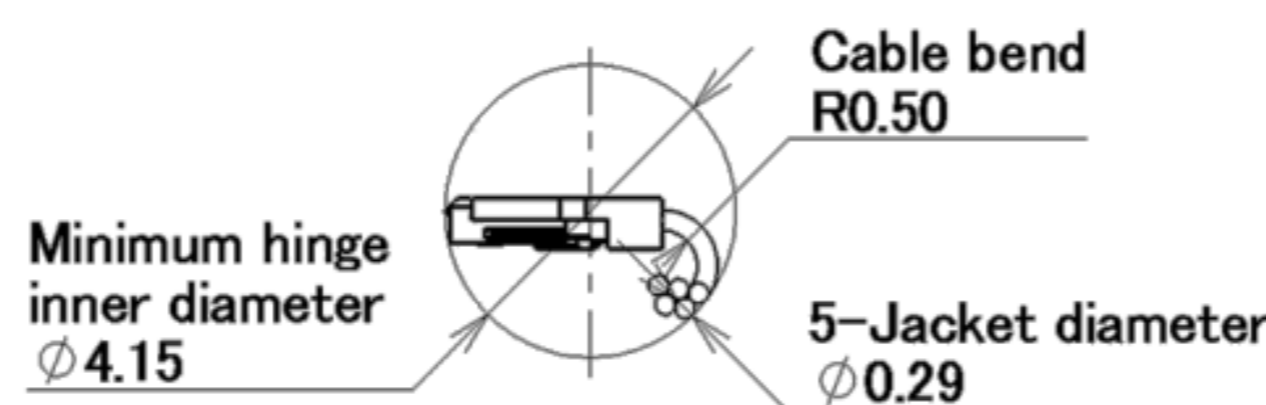
穿越轉軸組件- CABLINE® 連接器



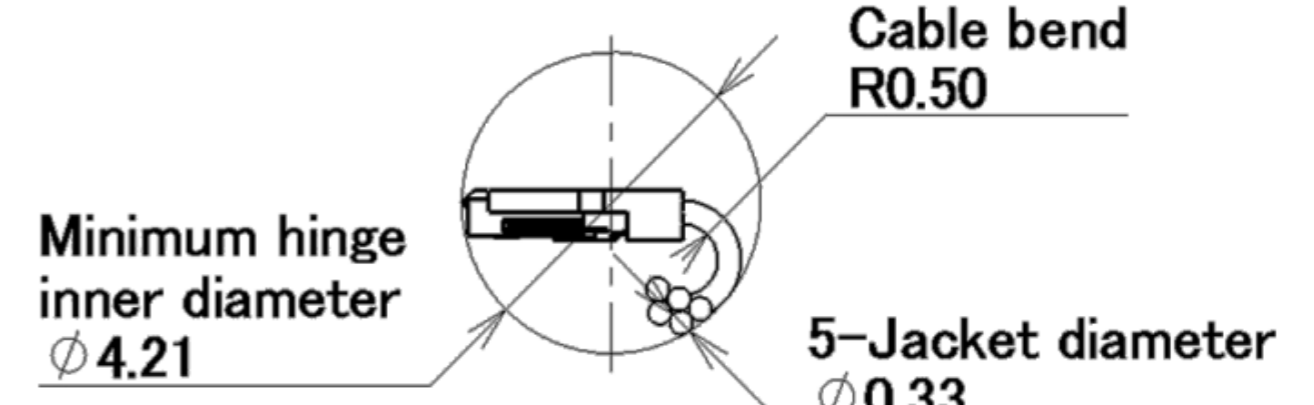
模擬如下情境 (5 pin) : 不需要彎曲電纜線即可穿越轉軸



模擬情境 (大於5 pin) : 最小轉軸內徑(mm) (未做粘接處理)

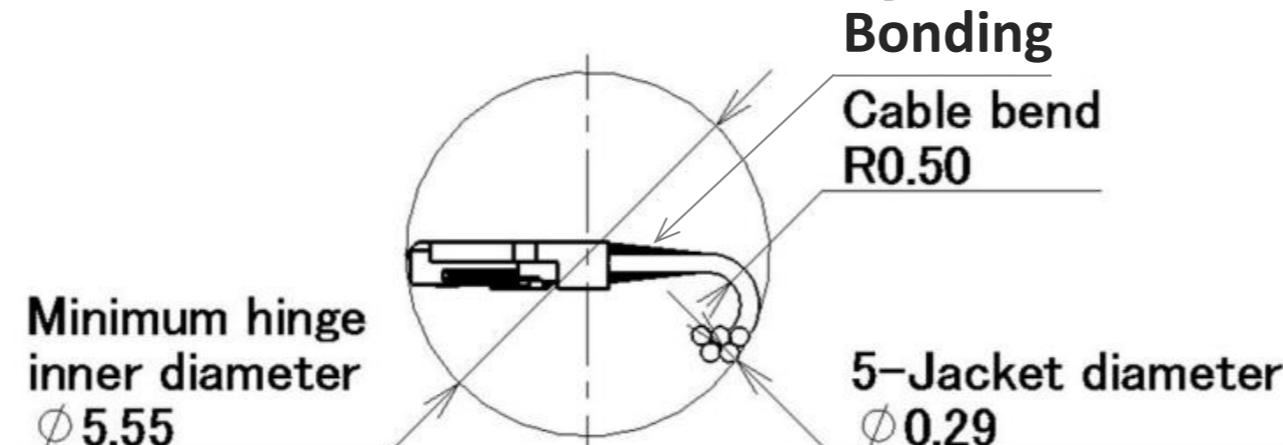


AWG 42 (45 ohm)

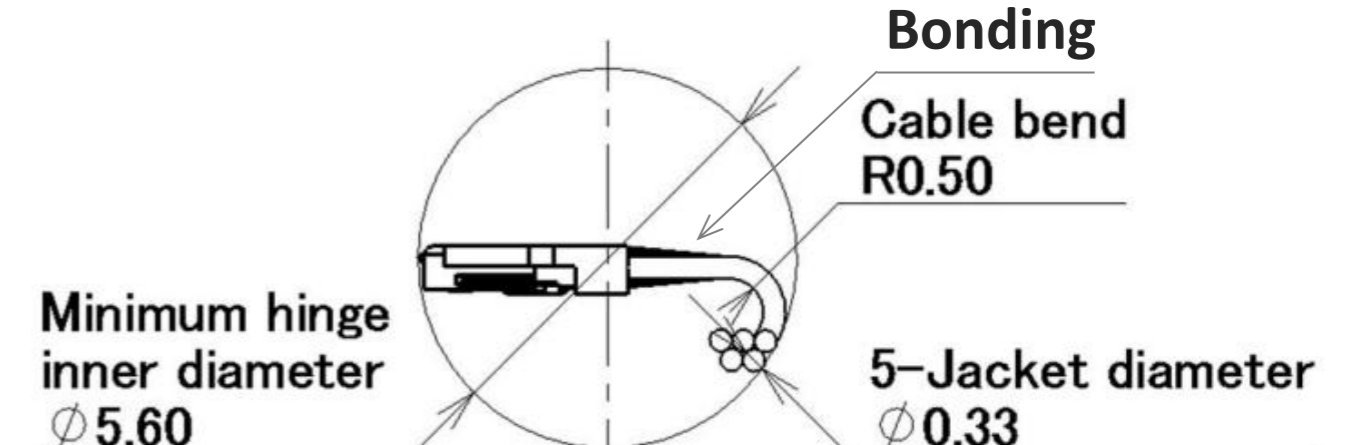


AWG 42 (50 ohm)

模擬情境 (大於5 pin) : 最小轉軸內徑(mm) (做粘接處理)



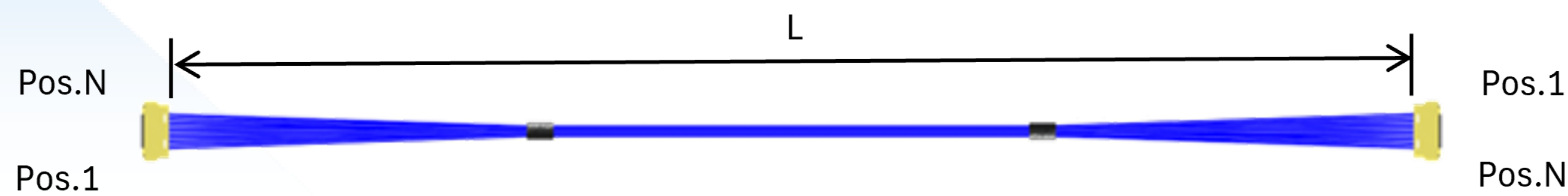
AWG 42 (45 ohm)



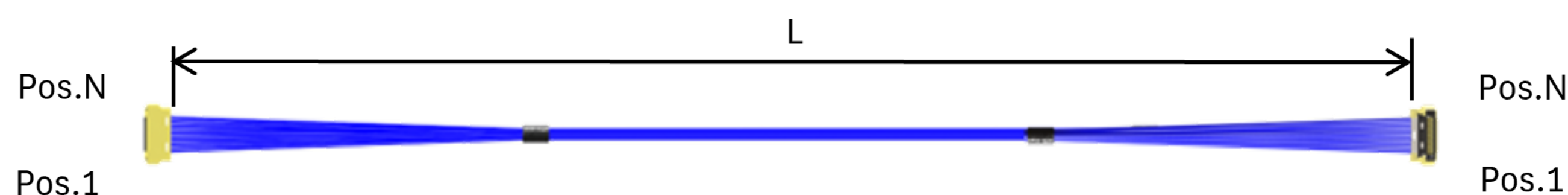
AWG 42 (50 ohm)

CABLINE[®] -UY standard harness

- ◆ Please click the part number to get its 2D drawing.
- ◆ Please be advised that if it becomes necessary to change the harness specifications, the part number will also need to be updated. The following part number is valid only when used with the harness specifications shown below.
- ◆ Please contact us via [Inquiry form](#) for other harness specifications.



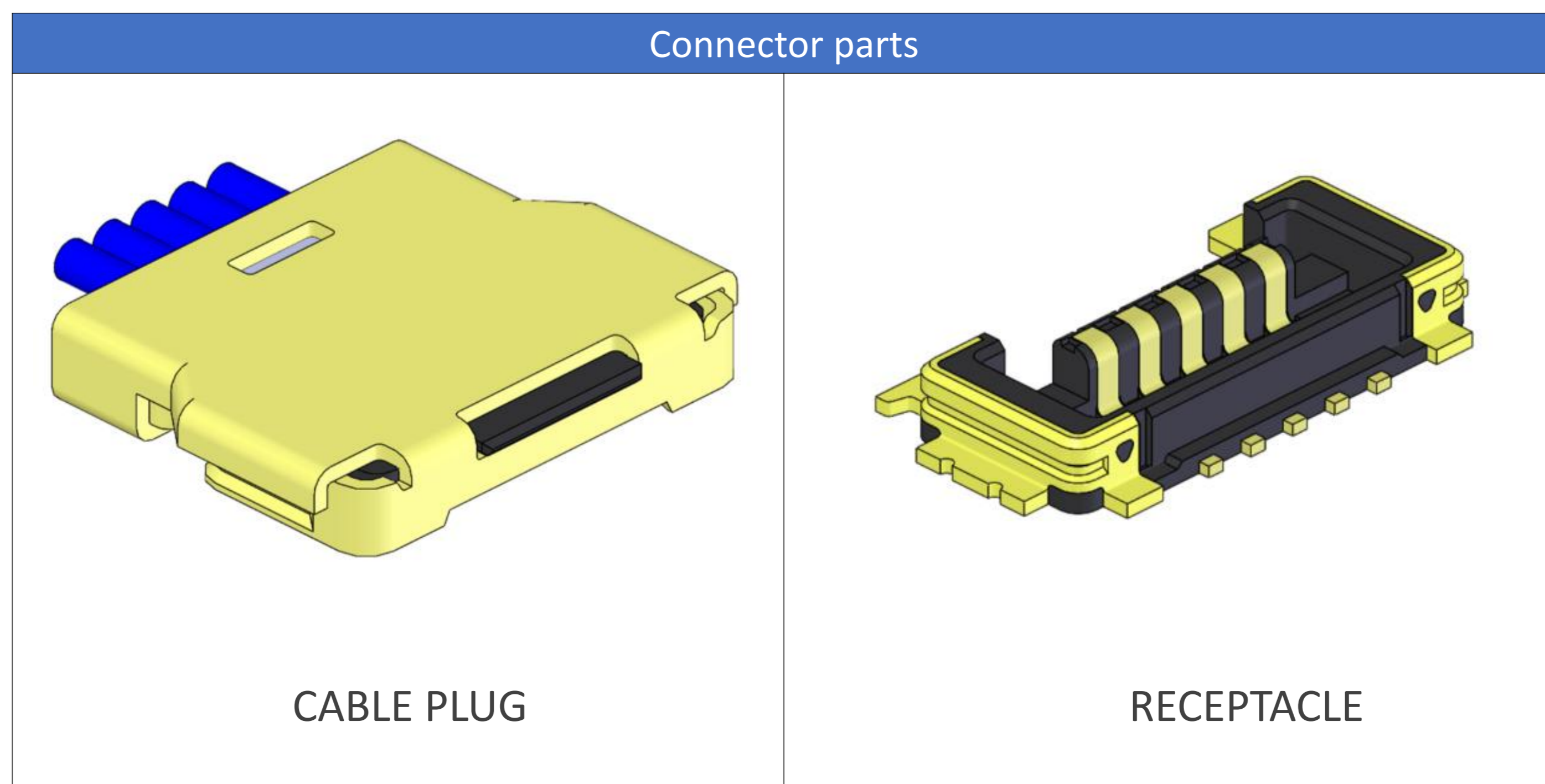
Part Number Description	Part Number (Link to Drawing)	Sample available
CABLINE-UY harness 5pin micro-coaxial 42AWG L=100mm 1-N	81426-100B-03-D	Buy from Digikey
CABLINE-UY harness 5pin micro-coaxial 42AWG L=200mm 1-N	81426-100B-02-D	Buy from Digikey
CABLINE-UY harness 5pin micro-coaxial 42AWG L=300mm 1-N	81426-100B-01-D	Buy from Digikey
CABLINE-UY harness 10pin micro-coaxial 42AWG L=100mm 1-N	81787-100B-03-D	Buy from Digikey
CABLINE-UY harness 10pin micro-coaxial 42AWG L=200mm 1-N	81787-100B-02-D	Buy from Digikey
CABLINE-UY harness 10pin micro-coaxial 42AWG L=300mm 1-N	81787-100B-01-D	Buy from Digikey



Part Number Description	Part Number (Link to Drawing)	Sample available
CABLINE-UY harness 5pin micro-coaxial 42AWG L=100mm 1-1	82681-100B-01-D	Contact us
CABLINE-UY harness 5pin micro-coaxial 42AWG L=200mm 1-1	82682-100B-01-D	Contact us
CABLINE-UY harness 5pin micro-coaxial 42AWG L=300mm 1-1	82448-100B-02-D	Buy from Digikey
CABLINE-UY harness 10pin micro-coaxial 42AWG L=100mm 1-1	82683-100B-01-D	Contact us
CABLINE-UY harness 10pin micro-coaxial 42AWG L=200mm 1-1	82684-100B-01-D	Contact us
CABLINE-UY harness 10pin micro-coaxial 42AWG L=300mm 1-1	82449-100B-02-D	Buy from Digikey

Component Parts Details

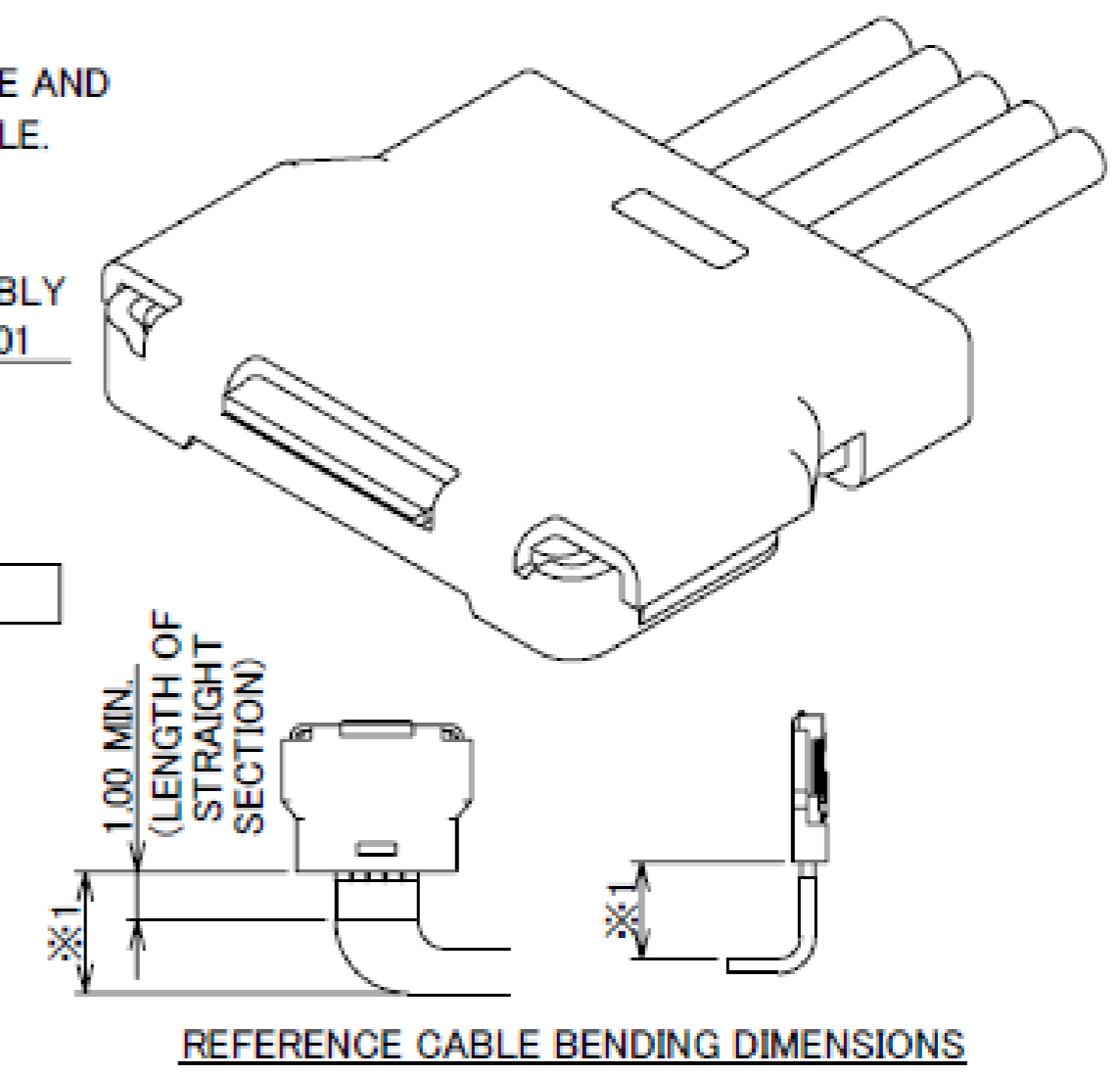
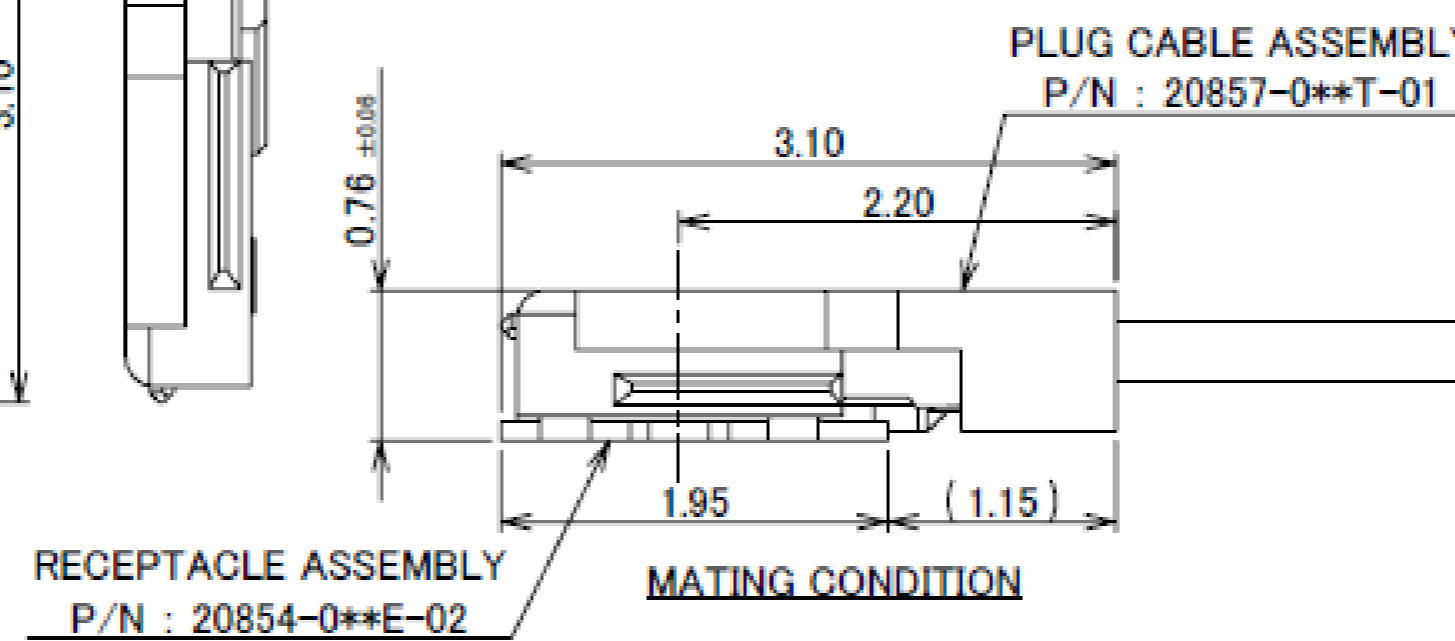
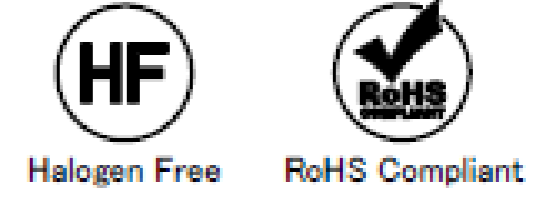
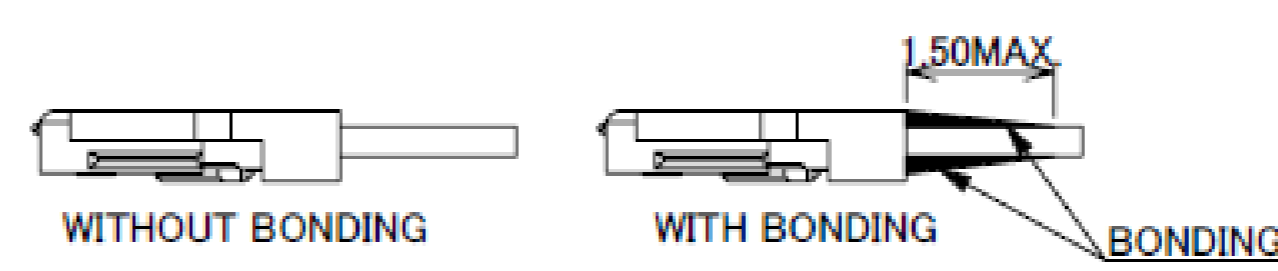
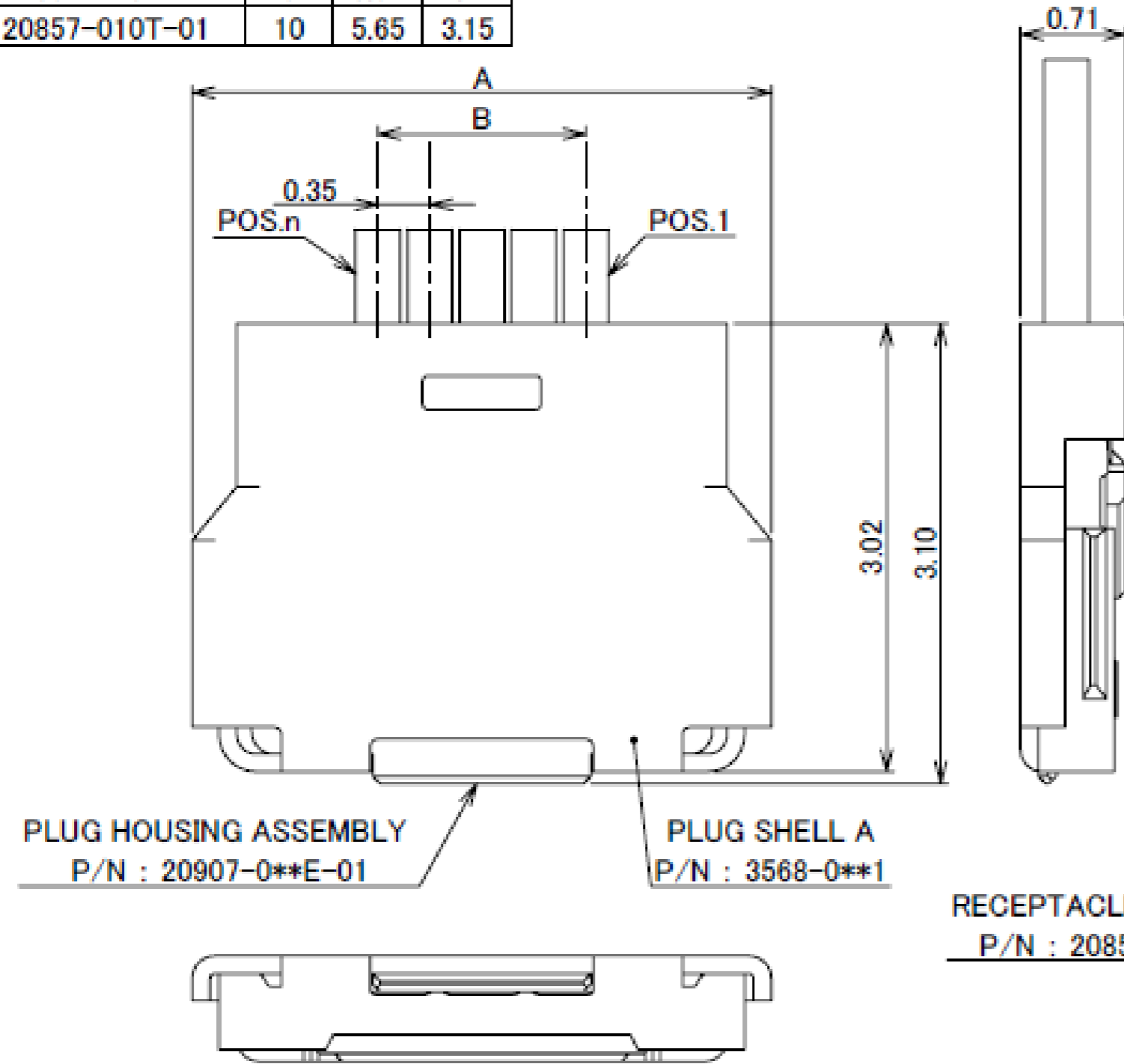
Component Parts



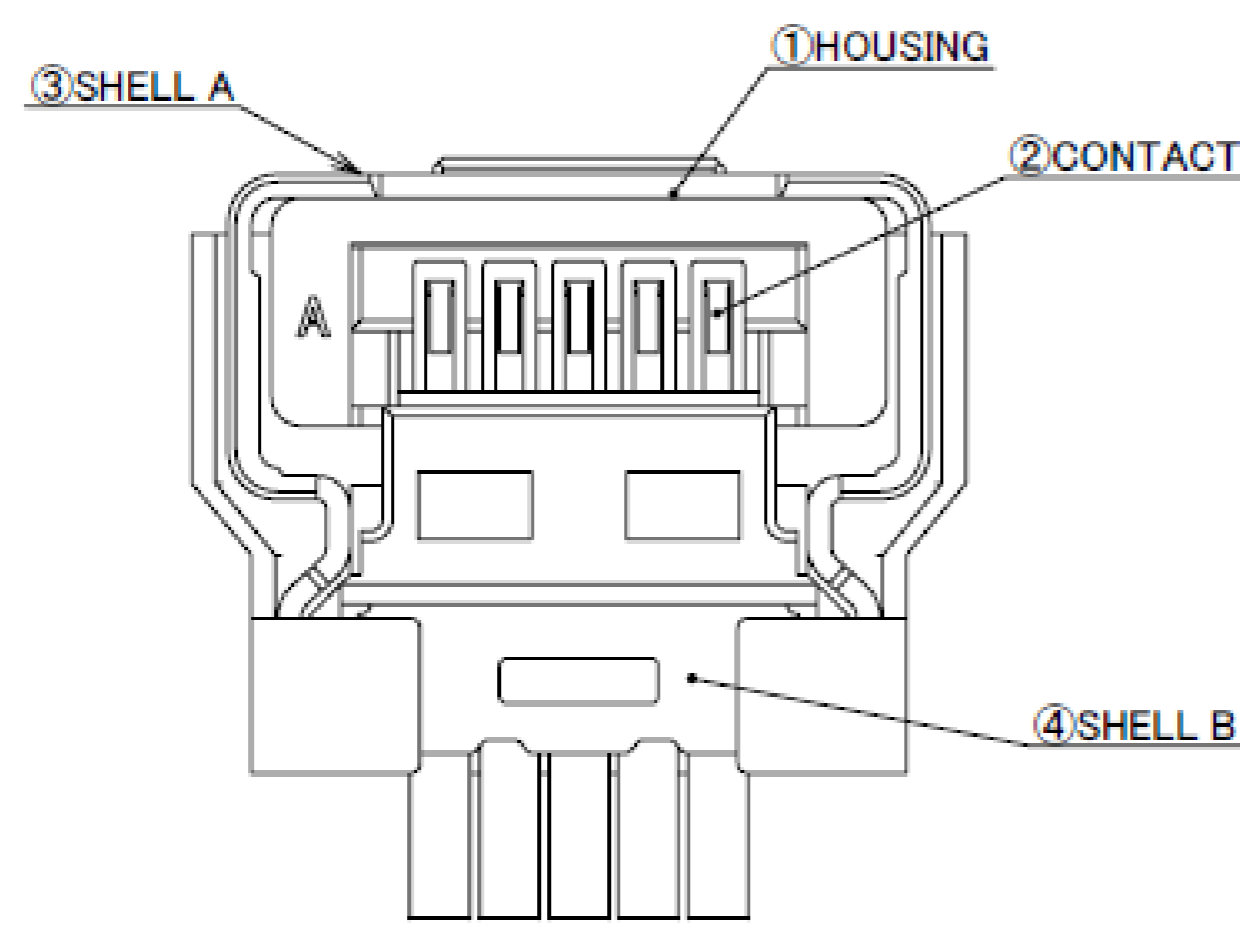
Plug for Cable Assembly

Recommended P/N		20857-0**T-01	
PART NO.	Pos.	A	B
20857-005T-01	5	3.90	1.40
20857-010T-01	10	5.65	3.15

PART COMBINATION TABLE			
PLUG CABLE ASSEMBLY	PLUG HOUSING ASSEMBLY	PLUG SHELL A	RECEPTACLE ASSEMBLY
20857-005T-01	20907-005E-01	3568-0051	20854-005E-02
20857-010T-01	20907-010E-01	3568-0101	20854-010E-02



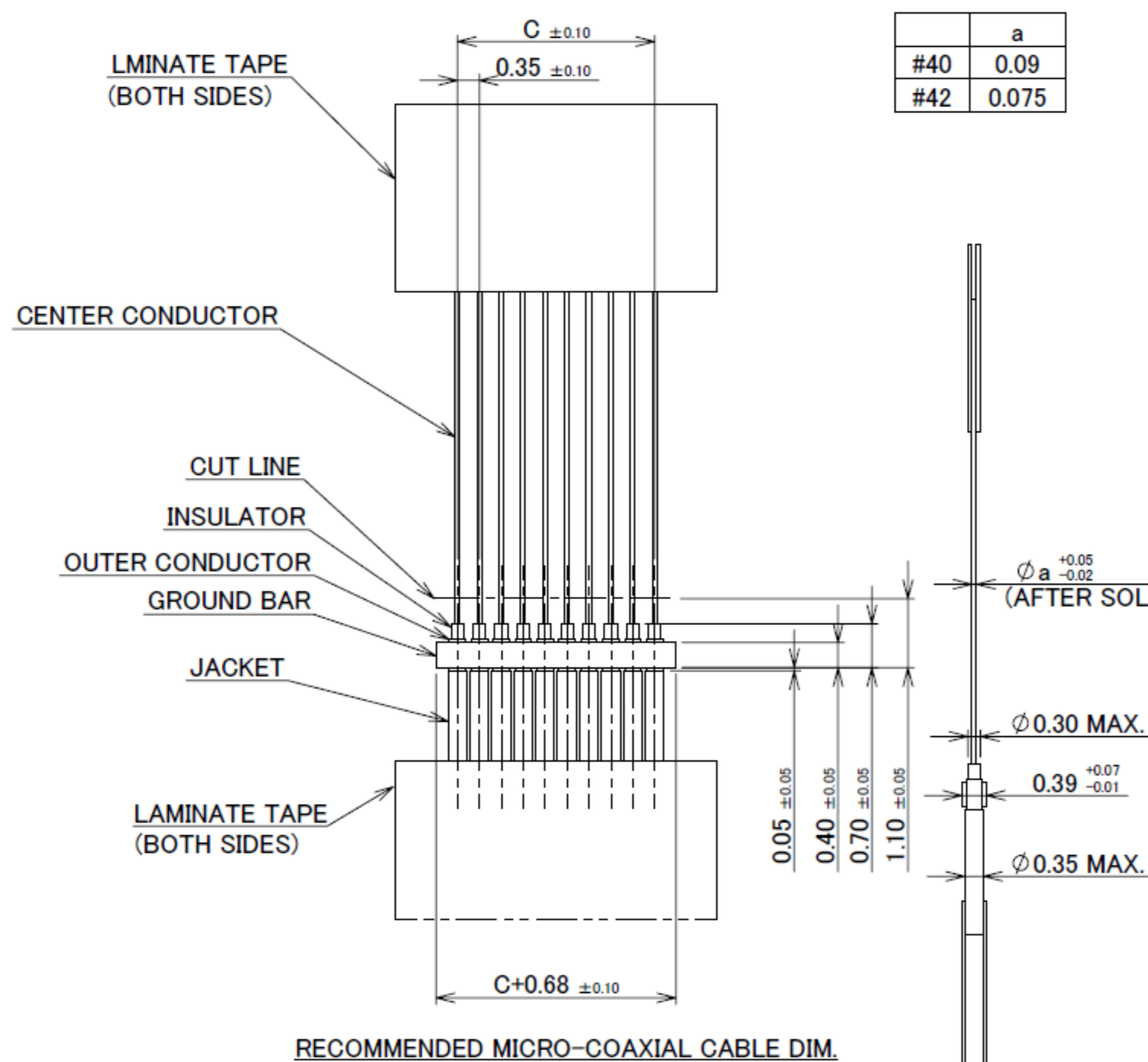
※1: THE BEND DIMENSIONS MAY VARY BASED ON THE SIZE AND QUANTITY OF CABLES. PLEASE CONFIRM THE MINIMUM BENDING RADIUS WITH I-PEX OR THE HARNESS MANUFACTURER.



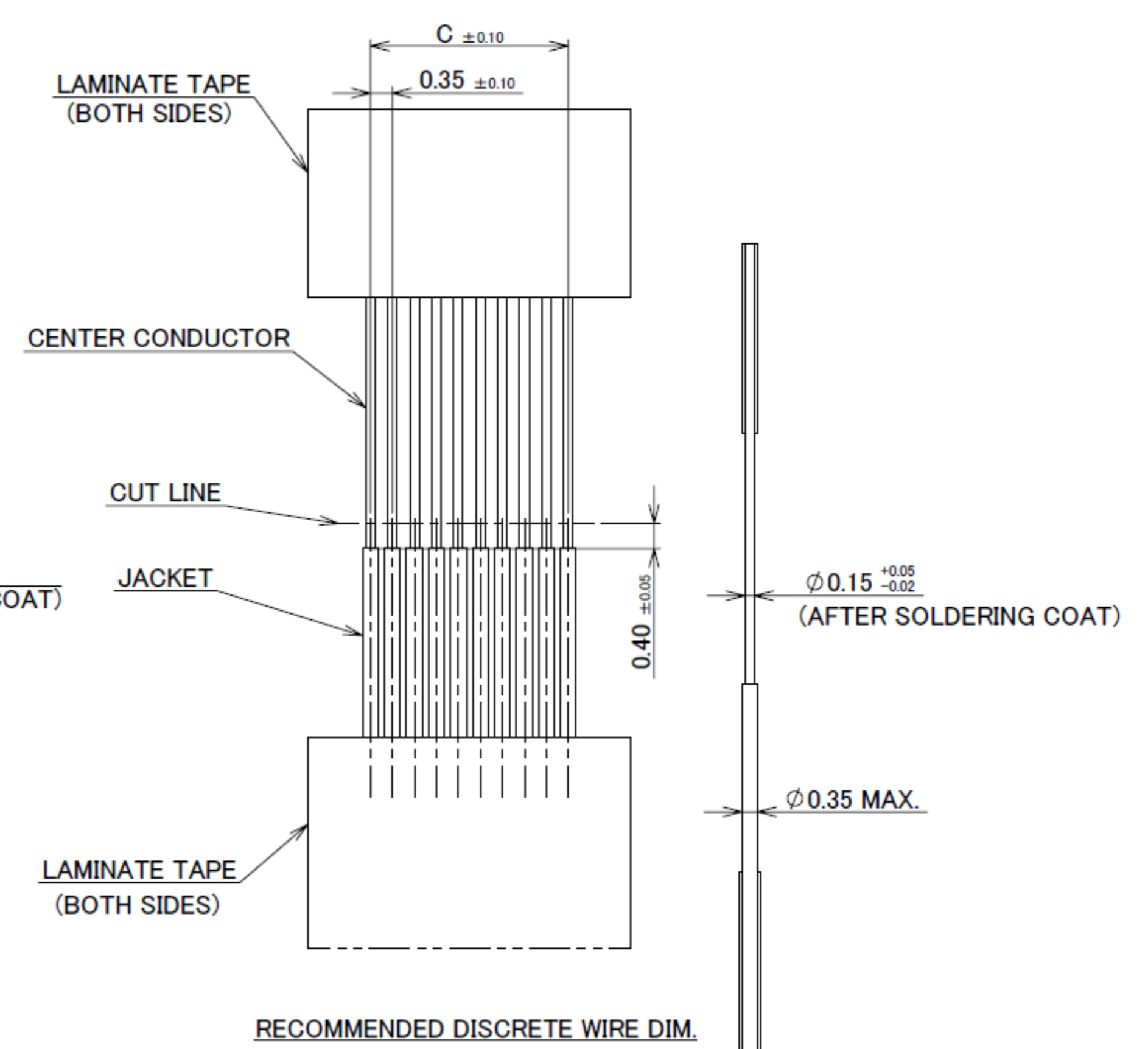
NO.	DESCRIPTION	MATERIAL	FINISH, REMARKS
4	SHELL B	SUS	Au 0.02 μm MIN. OVER Ni 1.00 μm MIN.
3	SHELL A	PHOSPHOR BRONZE	ALL OVER Ni 1.00 μm MIN. CONTACT PART Au 0.02 μm MIN. SOLDERING PART Au 0.02 μm MIN.
2	CONTACT	CORSON ALLOY	ALL OVER Ni 1.00 μm MIN. CONTACT PART Au 0.02 μm MIN. SOLDERING PART Au 0.02 μm MIN.
1	HOUSING	LCP	UL94V-0, BLACK

PART NO.	Pos.	C
20857-005T-01	5	1.40
20857-010T-01	10	3.15

CHARACTERISTIC IMPEDANCE MATCHING MICRO-COAXIAL CABLE



MICRO-COAXIAL CABLE AWG# **



DISCRETE WIRE AWG# 36

Rev.7

Rev.7

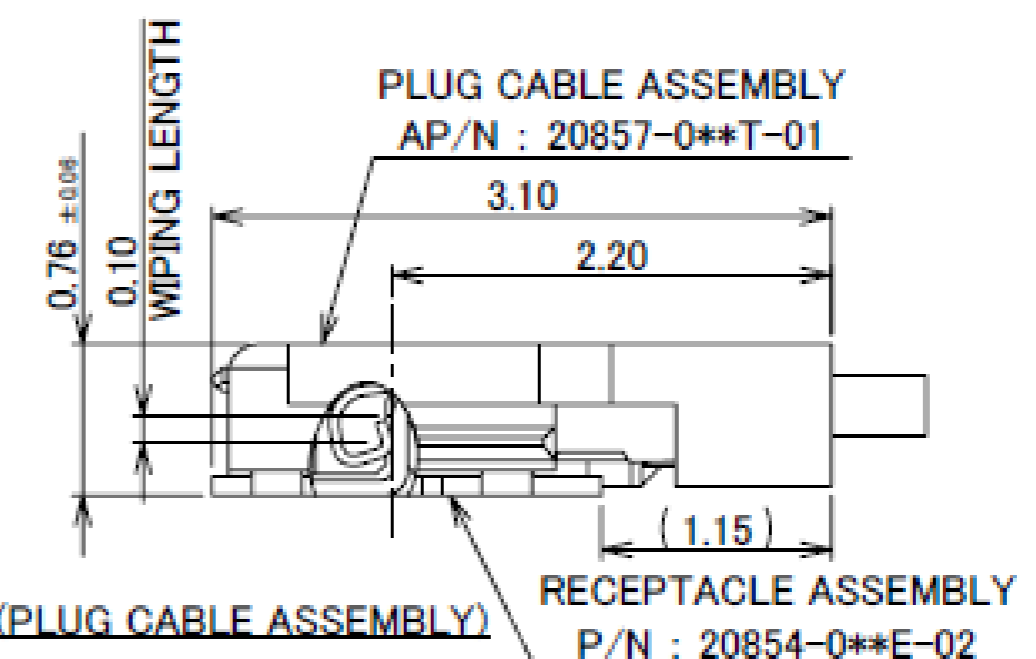
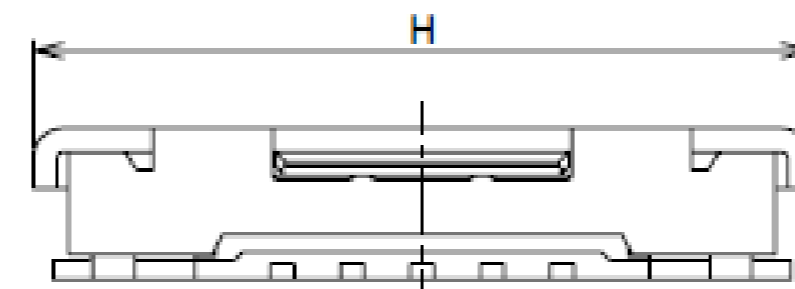
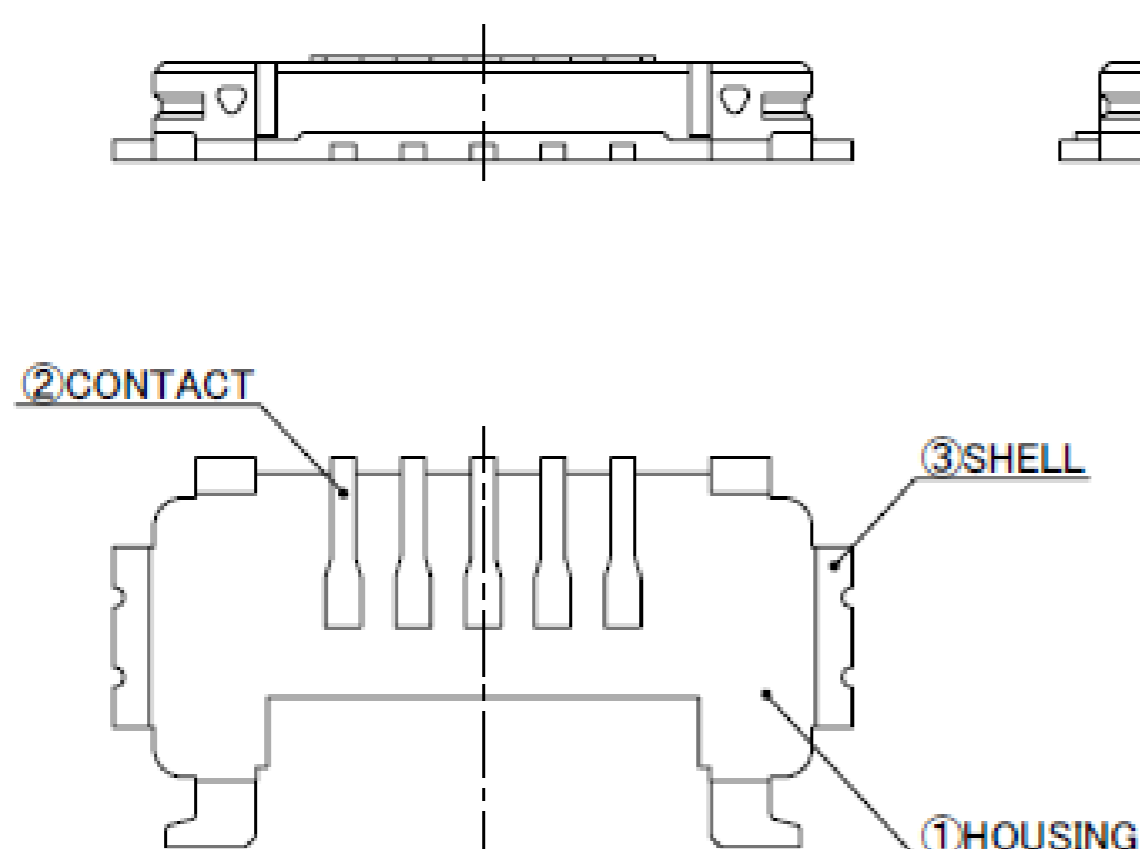
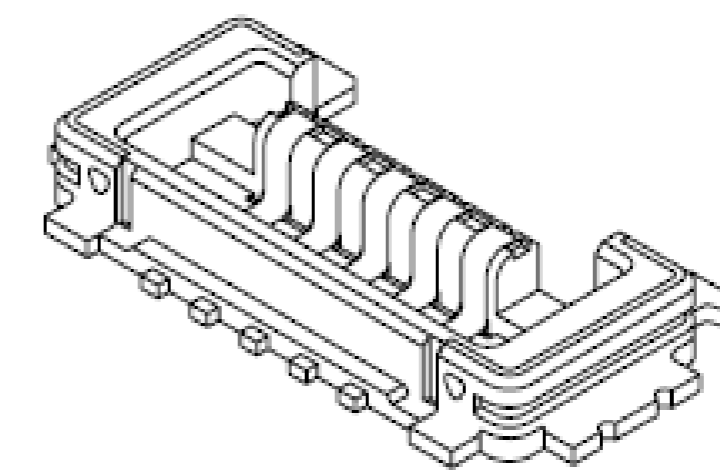
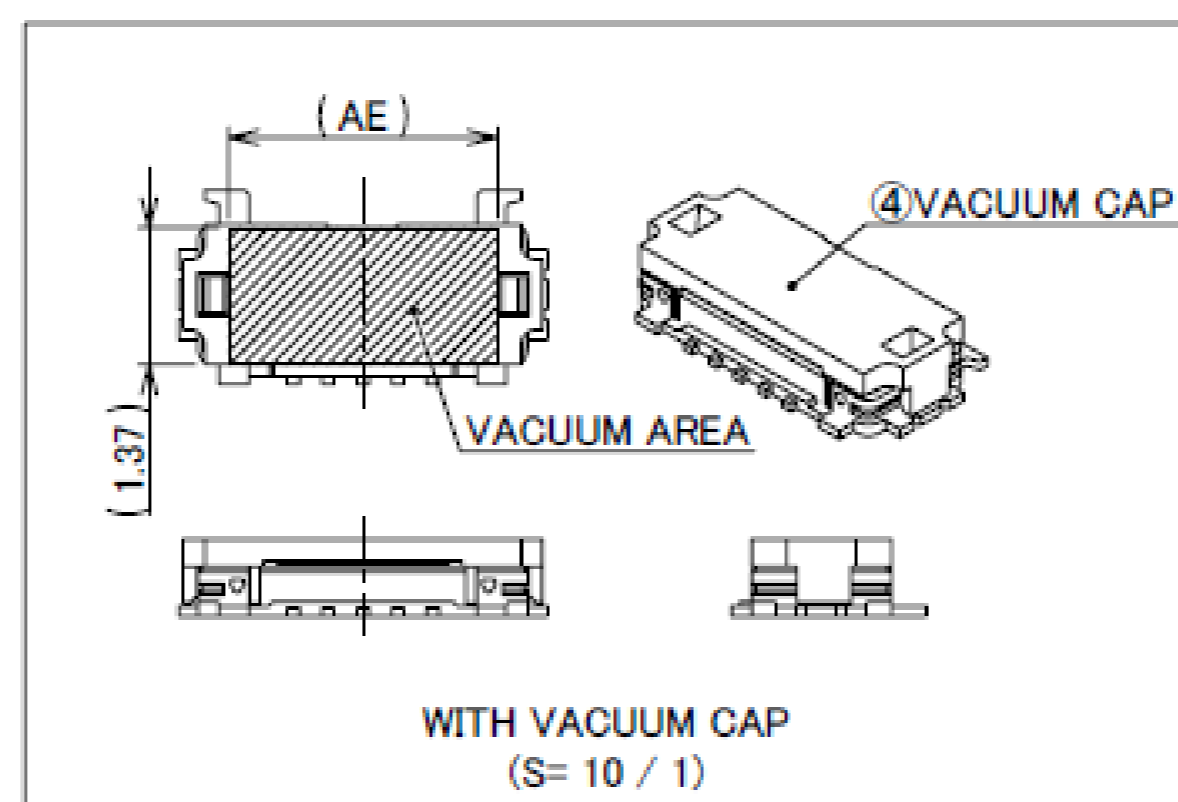
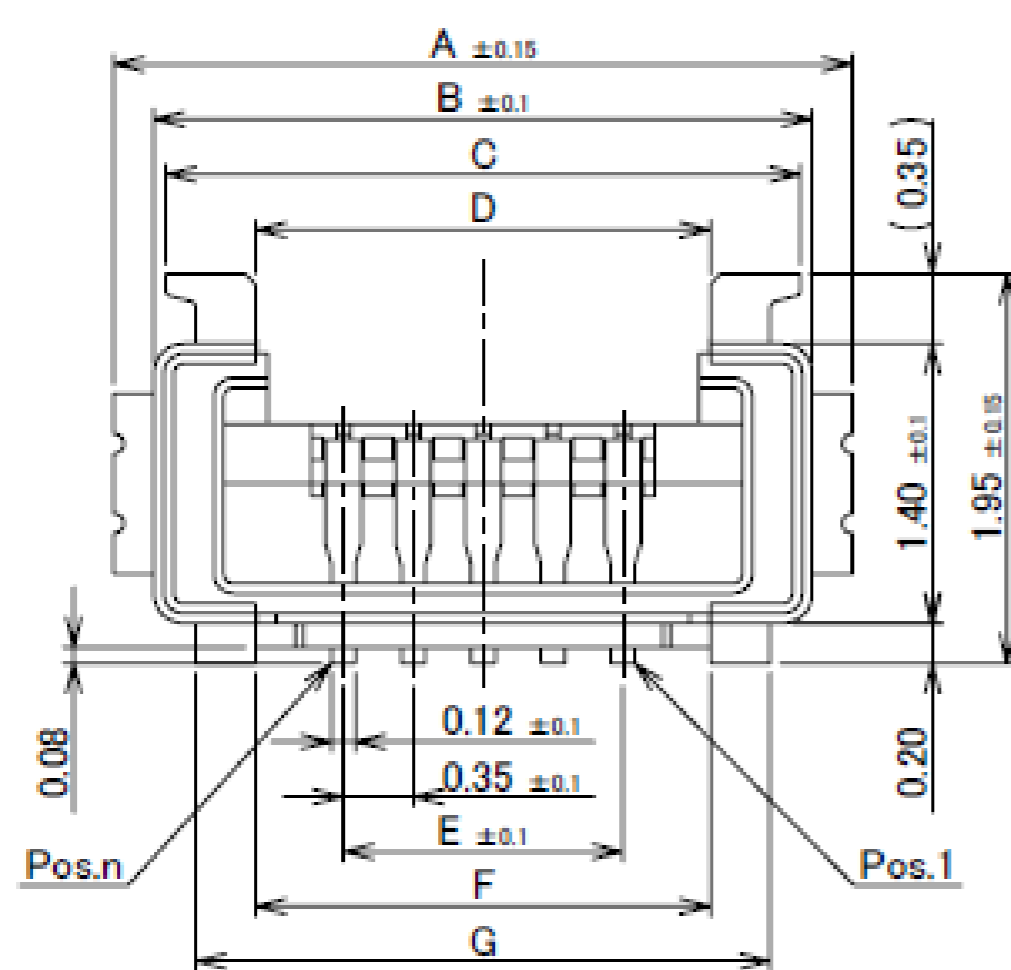
Plug for Cable Assembly

ITEMS	SPECIFICATION
APPLICABLE CABLE	MICRO-COAXIAL CABLE : AWG# 42 , 40 DISCRETE WIRE : AWG# 36
RATING VOLTAGE	60V AC (PER CONTACT PIN) ※THIS IS THE RATED VOLTAGE OF THE CONNECTOR. PLEASE NOTE THAT THE RATED VOLTAGE MAY VARY IN THE HARNESS DEPENDING ON THE CABLES USED.
RATING AMPERAGE (FOR CONTACT)	0.35 AC/DC[AWG# 42] PER CONTACT PIN/UP TO 10 CONTACTS 0.38 AC/DC[AWG# 40] PER CONTACT PIN/UP TO 10 CONTACTS 0.5 AC/DC[AWG# 36] PER CONTACT PIN/UP TO 10 CONTACTS
OPERATING TEMPERATURE	233~358K(-40°C~+85°C)
OPERATING HUMIDITY	85% MAX.(NON-CONDENSING)
CONTACT RESISTANCE	INITIAL : 700mohm MAX.(AWG# 42) / AFTER TEST : Δ R 40mohm MAX. 600mohm MAX.(AWG# 40) 275mohm MAX.(AWG# 36)
GROUND SHELL RESISTANCE	INITIAL : 60mohm MAX. / AFTER TEST : Δ R 40mohm MAX.
INSULATION RESISTANCE	INITIAL : 500Mohm MIN. / AFTER TEST : 100Mohm MIN.
DIELECTRIC WITHSTANDING VOLTAGE	AC200V 1min
DURABILITY	30 CYCLES
MATING FORCE (INITIAL / AFTER TEST)	5P : INITIAL: 30N MAX. / AFTER TEST: 30N MAX. 10P : INITIAL: 30N MAX. / AFTER TEST: 30N MAX.
UNMATING FORCE (INITIAL / AFTER TEST)	5P : INITIAL: 5N MIN. / AFTER TEST: 3N MIN. 10P : INITIAL: 5N MIN. / AFTER TEST: 3N MIN.
CABLE RETENTION FORCE	5Pin : 2.45N MIN. 10Pin : 4.9N MIN.
PRODUCT SPECIFICATION	PRS-2634
TEST REPORT	TR-19084
INSTRUCTION MANUAL	HIM-18037
ASSEMBLY MANUAL	ASM-18002
APPEARANCE CRITERIA No.	QLS-A***

Rev.7

Receptacle Assembly

Recommended P/N	20854-0**E-02										
PART NO.	Pos.	A	B	C	D	E	F	G	H	J	AE
20854-005E-02	5	3.70	3.30	3.18	2.28	1.40	2.28	2.88	3.90	2.90	2.70
20854-010E-02	10	5.45	5.05	4.93	4.03	3.15	4.03	4.63	5.65	4.65	4.45

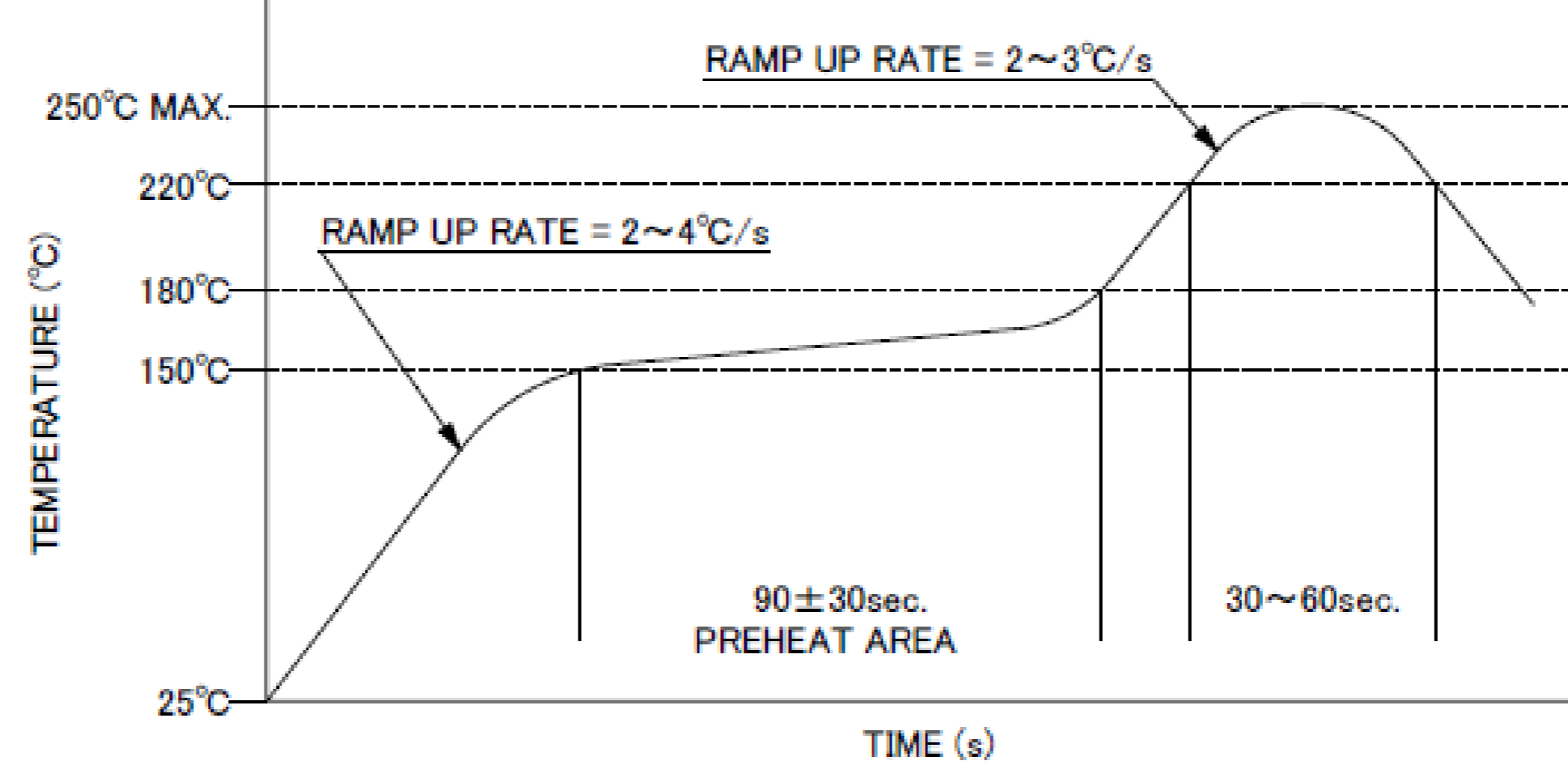
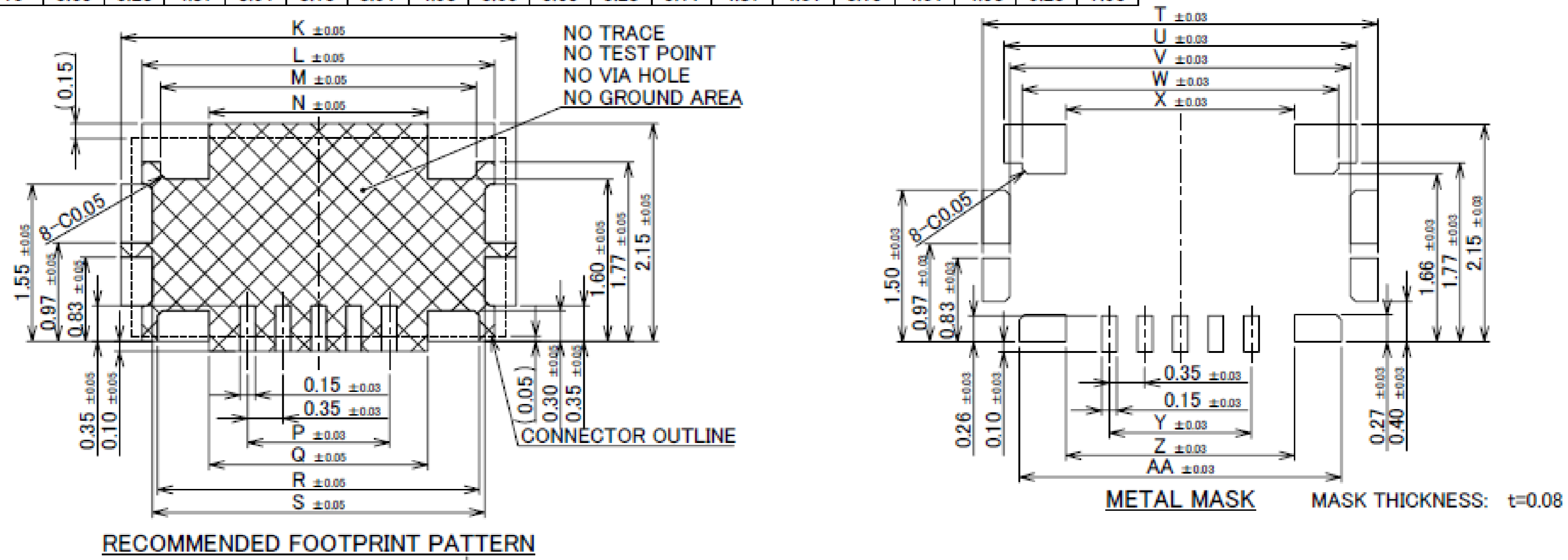


NO.	DESCRIPTION	MATERIAL	FINISH, REMARKS
4	VACUUM CAP	LCP	UL94V-0, BLACK
3	SHELL	PHOSPHOR BRONZE	ALL OVER Ni 1.00 μ m MIN. CONTACT PART: Au 0.01 μ m MIN. SOLDERING PART: Au 0.01 μ m MIN.
2	CONTACT	PHOSPHOR BRONZE	ALL OVER Ni 1.00 μ m MIN. CONTACT PART: Au 0.05 μ m MIN. SOLDERING PART: Au 0.03 μ m MIN.
1	HOUSING	LCP	UL94V-0, BLACK

Rev.7

Receptacle Assembly

PART NO.	Pos.	K	L	M	N	P	Q	R	S	T	U	V	W	X	Y	Z	AA	AB	AC
20854-005E-02	5	3.90	3.48	3.12	2.16	1.40	2.16	3.18	3.28	3.90	3.48	3.36	3.12	2.26	1.40	2.26	3.18	7.50	6.20
20854-010E-02	10	5.65	5.23	4.87	3.91	3.15	3.91	4.93	5.03	5.65	5.23	5.11	4.87	4.01	3.15	4.01	4.93	9.25	7.95



REFLOW TEMPERATURE PROFILE
 SENJU METAL INDUSTRY CO., LTD. : M705-SHF(Sn96.5 Ag3.0 Cu0.5)

Rev.7

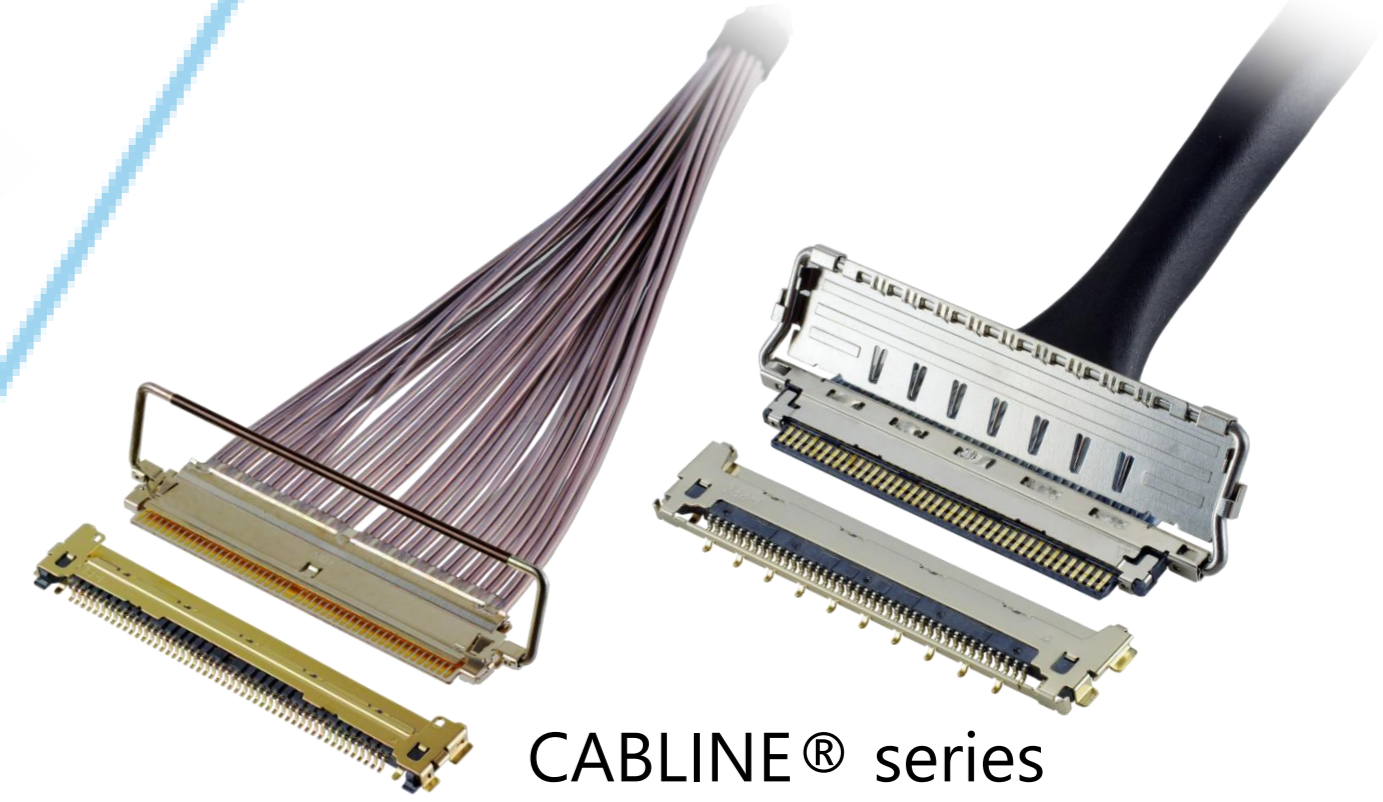
ITEMS	SPECIFICATION
APPLICABLE CONNECTOR PART No.	20857-0**T-01 (PLUG CABLE ASSEMBLY)
APPLICABLE CABLE	MICRO-COAXIAL CABLE : AWG# 42 , 40 DISCRETE WIRE : AWG# 36
RATING VOLTAGE	60V AC (PER CONTACT PIN)
RATING AMPERAGE (FOR CONTACT)	0.35 AC/DC [AWG#42] PER CONTACT PIN/UP TO 10 CONTACTS 0.38 AC/DC [AWG#40] PER CONTACT PIN/UP TO 10 CONTACTS 0.50 AC/DC [AWG#36] PER CONTACT PIN/UP TO 10 CONTACTS
OPERATING TEMPERATURE	233~358K(-40°C~+85°C)
OPERATING HUMIDITY	85% MAX.(NON-CONDENSING)
CONTACT RESISTANCE	INITIAL : 700mohm MAX.(AWG#42) / AFTER TEST : Δ R 40mohm MAX. 600mohm MAX.(AWG#40) 275mohm MAX.(AWG#36)
GROUND CONTACT RESISTANCE	INITIAL : 60mohm MAX. / AFTER TEST : Δ R 40mohm MAX.
INSULATION RESISTANCE	INITIAL : 500Mohm MIN. / AFTER TEST : 100Mohm MIN.
DIELECTRIC WITHSTANDING VOLTAGE	AC200V 1min
DURABILITY	30 CYCLES
MATING FORCE (INITIAL / AFTER TEST)	5P : INITIAL: 30N MAX. / AFTER TEST: 30N MAX. 10P : INITIAL: 30N MAX. / AFTER TEST: 30N MAX.
UNMATING FORCE (INITIAL / AFTER TEST)	5P : INITIAL: 5N MIN. / AFTER TEST: 3N MIN. 10P : INITIAL: 5N MIN. / AFTER TEST: 3N MIN.
CABLE RETENTION FORCE	5P : 2.45N MIN. 10P : 4.90N MIN.
COPLANARITY	0.08 MAX.
PRODUCT SPECIFICATION	PRS-2634
TEST REPORT	TR-19084
PACKING STANDARD	PST-18040
INSTRUCTION MANUAL	HIM-18037
APPEARANCE CRITERIA No.	QLS-A***

Rev.7

Custom Connectors Available

RF Connectors

MHF® series



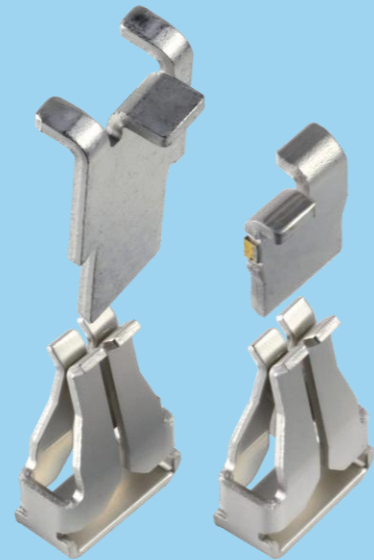
CABLINE® series

Micro-Coaxial/Twinaxial Connectors

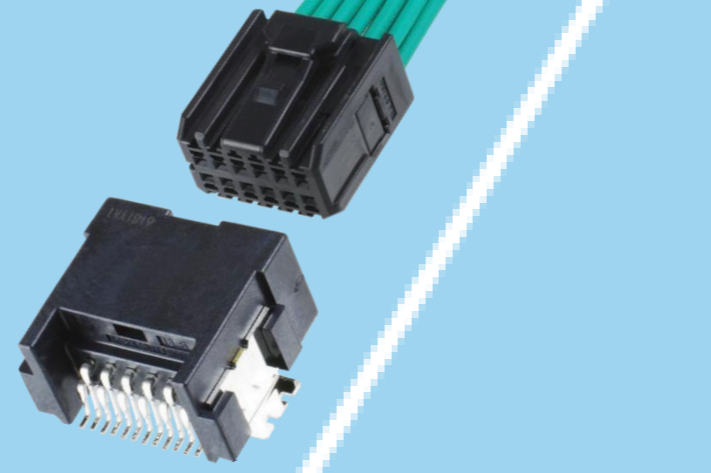


Wire-to-Board Connectors/Terminals

AP series



ISH® series



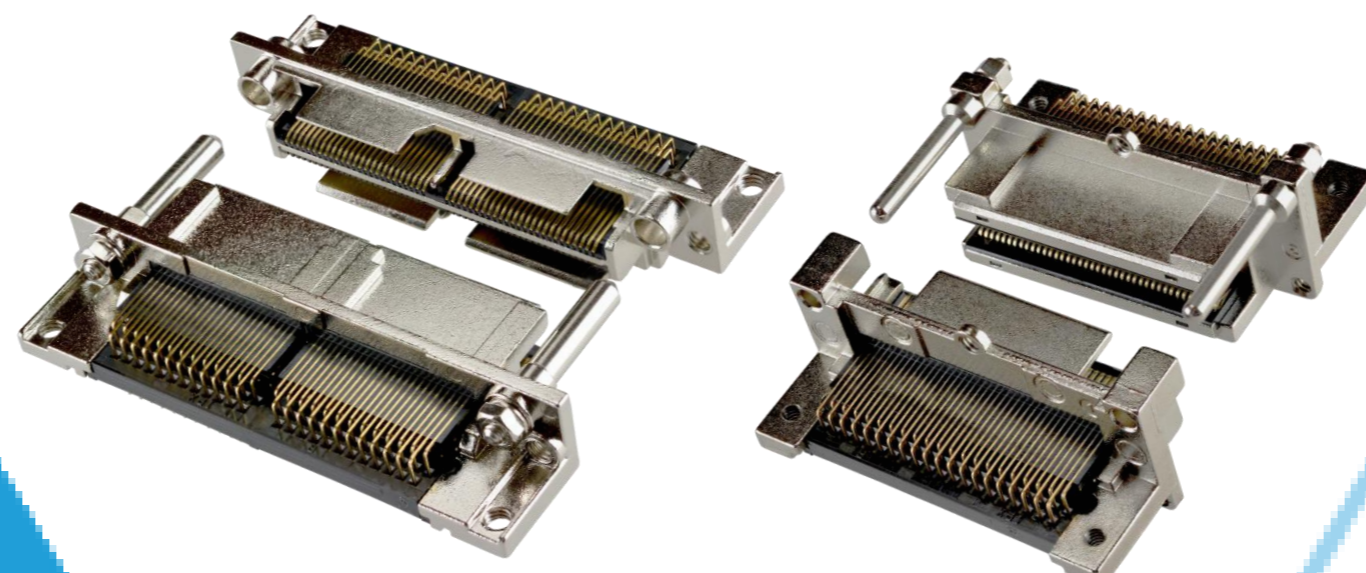
NOVASTACK® series



Board-to-Board Connectors

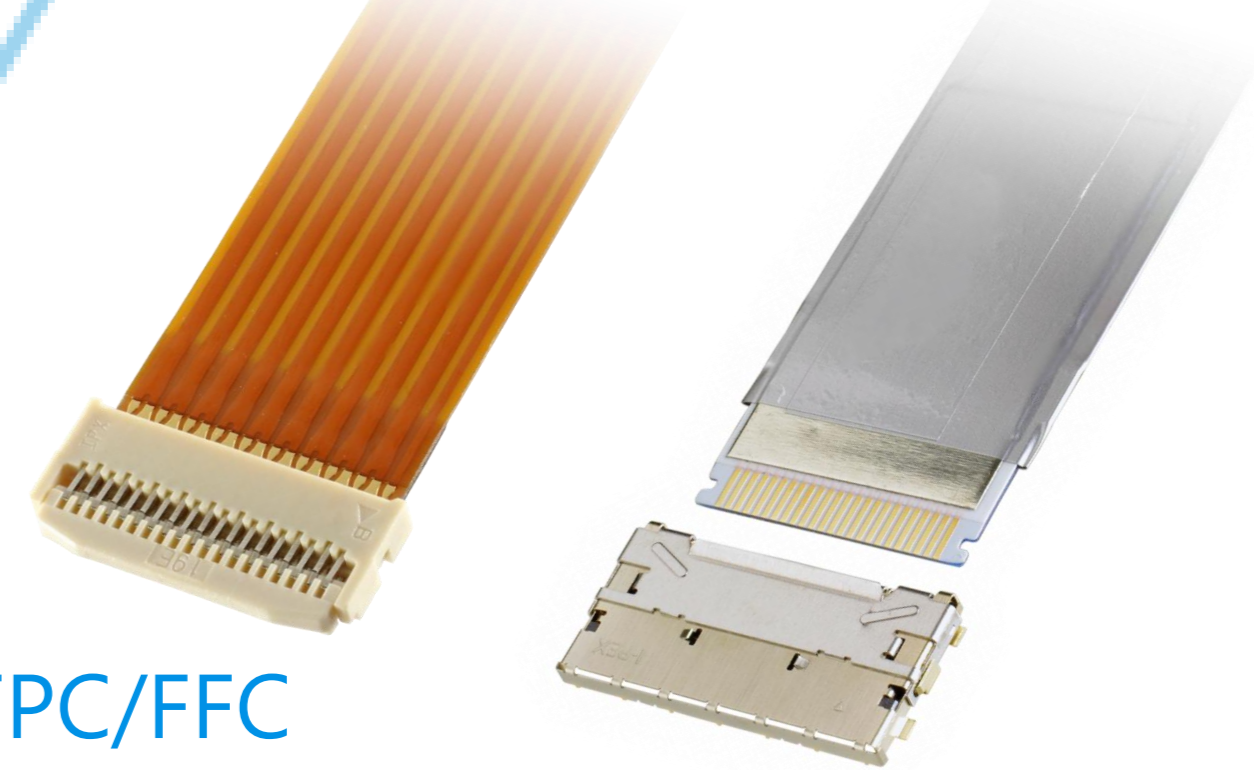


I/O Connectors



MINIDOCK™ series

MINIFLEX® series EVAFLEX® series



FPC/FFC Connectors



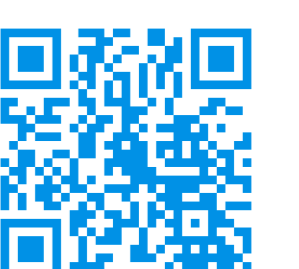
Inquiry



I-PEX, MHF, CABLINE, NOVASTACK, ISH, IARPB, MINIFLEX, EVAFLEX, MINIDOCK, i-Fit and ZenShield are registered trademarks of I-PEX Inc. Please note that the contents in the catalog might be changed without prior notification. I-PEX Inc. assumes no responsibility for any inaccuracies or obligation to update Information on these documents. Please be sure to read and understand the latest "Precautions for Use" and "Instruction Manual" before you use our products. We shall not be responsible for any defects, damages or troubles in case you use our products without following the precautions for use. Please feel free to contact our sales representatives when you use our products for any applications that require very high reliability and safety, or that relate to human life (ex. nuclear power control, aerospace, transportation, medical equipment, safety equipment etc.).

Contact your sales representative or more detailed information.

www.i-pex.com



I-PEX

© I-PEX Inc. 2026
All rights reserved