

CABLINE®-CBL

고속 데이터 전송(20Gbps/Lane)에 적용, 낮은 결합 높이(높이 = 0.975mm Max), Mechanical Lock 및 Shield가 있는 Multi Ground 접점 0.4mm Pitch, 수평 결합형 Micro 동축 Connector



Product Specifications:

Mating type	Horizontal	
Board Pitch (mm)	0.4	
Wiping Length (mm)	0.44	
Mated size (mm)	Height	0.975 Max
	Width	Formula: 6.44 + (0.4*?p)
	Depth	5.44
Pin Counts	Range	Up to 40
	Available	30, 40

Applicable Cable Size:

Maximum O.D. (mm)	0.4
Micro-Coaxial for Signal (AWG)	45 ohm: #40 or smaller wire 50 ohm: #40 or smaller wire
Twinax (AWG)	-
Discrete (AWG)	#36 or smaller wire

Applicable Standards (Reference Only):

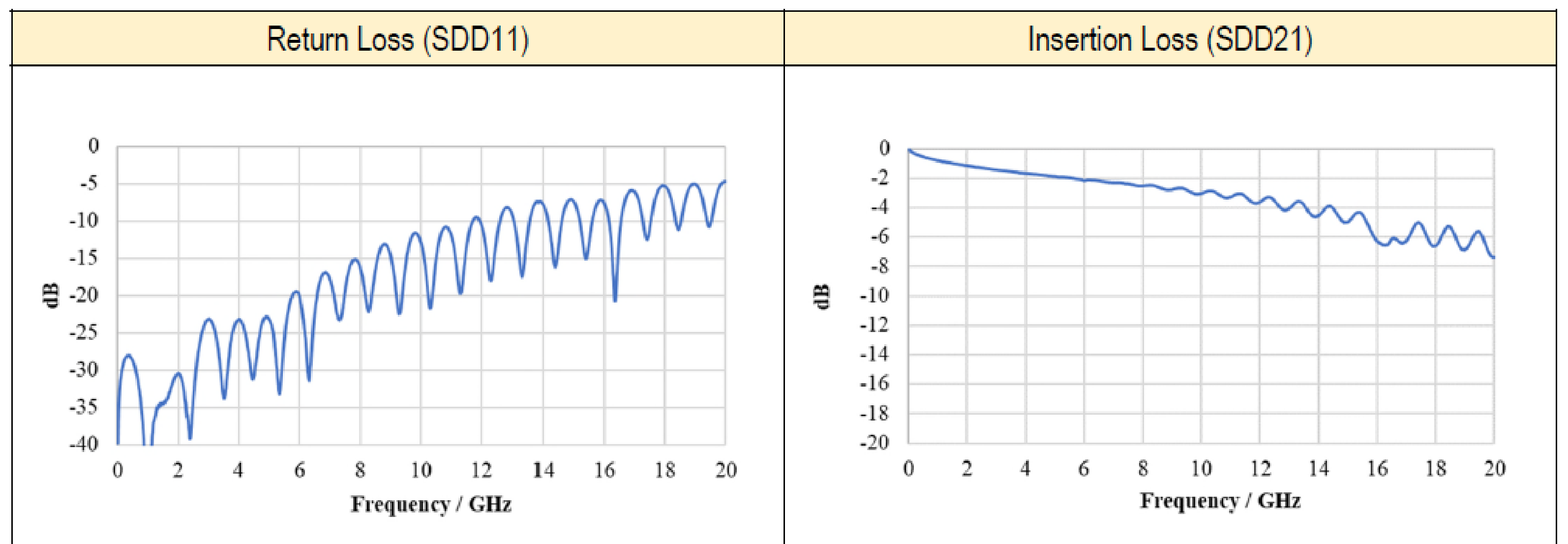
DP UHBR20 (20 Gbps/ Lane), V-by-One® US (16 Gbps/Lane), HDMI 2.1 (12 Gbps/ Lane)

*기재가 되어있지 않은 핀 수의 대응 여부에 대해서는 문의해 부탁드립니다.
*CABLINE®-CAL(체결 높이: 최대 0.8mm)은 더 낮은 높이를 제공합니다.

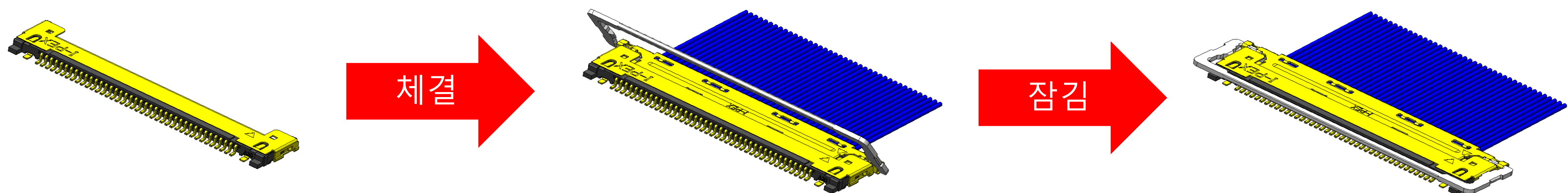
▶ 20Gbps/lane의 고속전송 내부 연결에 최적

Measurement results

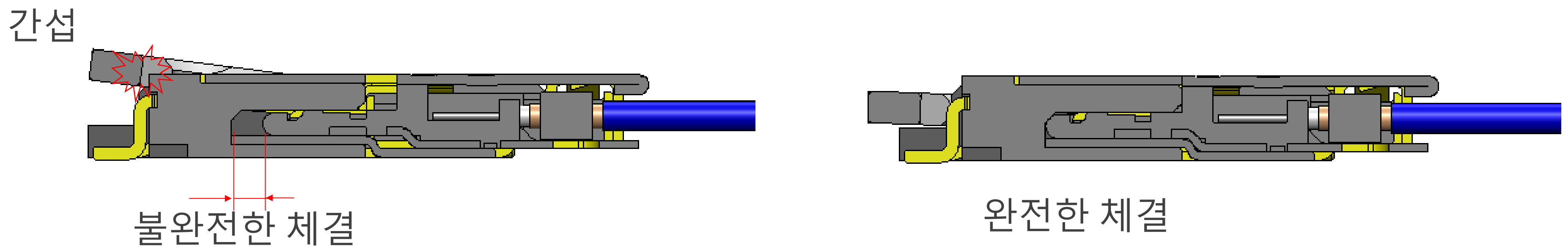
Connector: CABLINE-CBL 40P
Cable: Micro-coaxial cable
AWG #40, 45ohm, Length: 100 mm
Pin Assignment: GSSGSSG



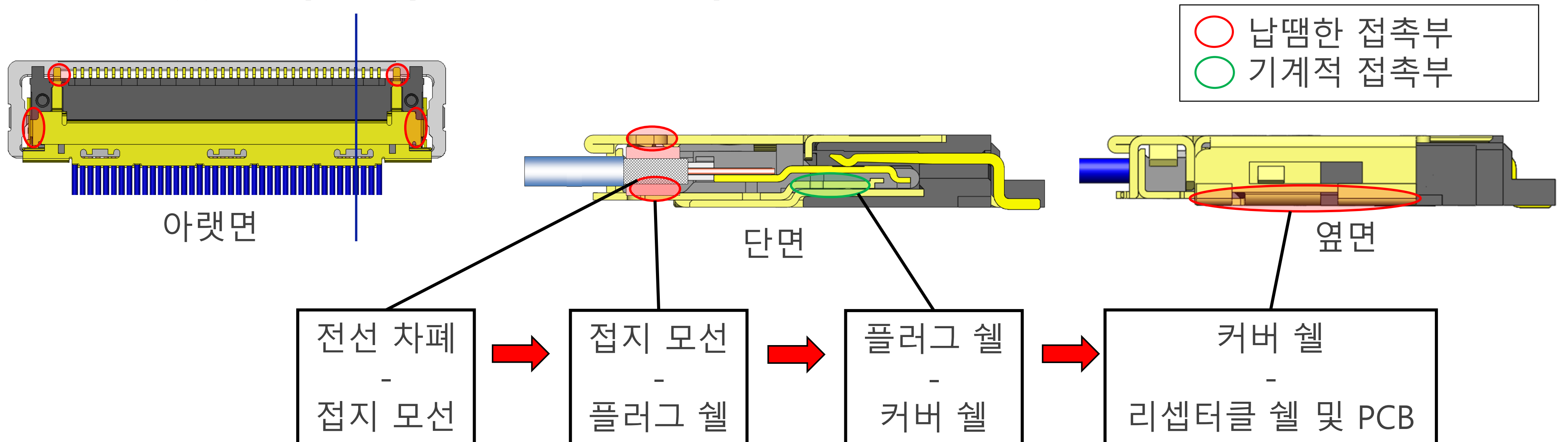
▶ 기계식 Locking bar에 의한 불완전 체결 방지와 Plug 이탈 방지



기계식 잠금 바는 플러그가 리셉터클에 완전히 체결된 경우에만 잠깁니다.

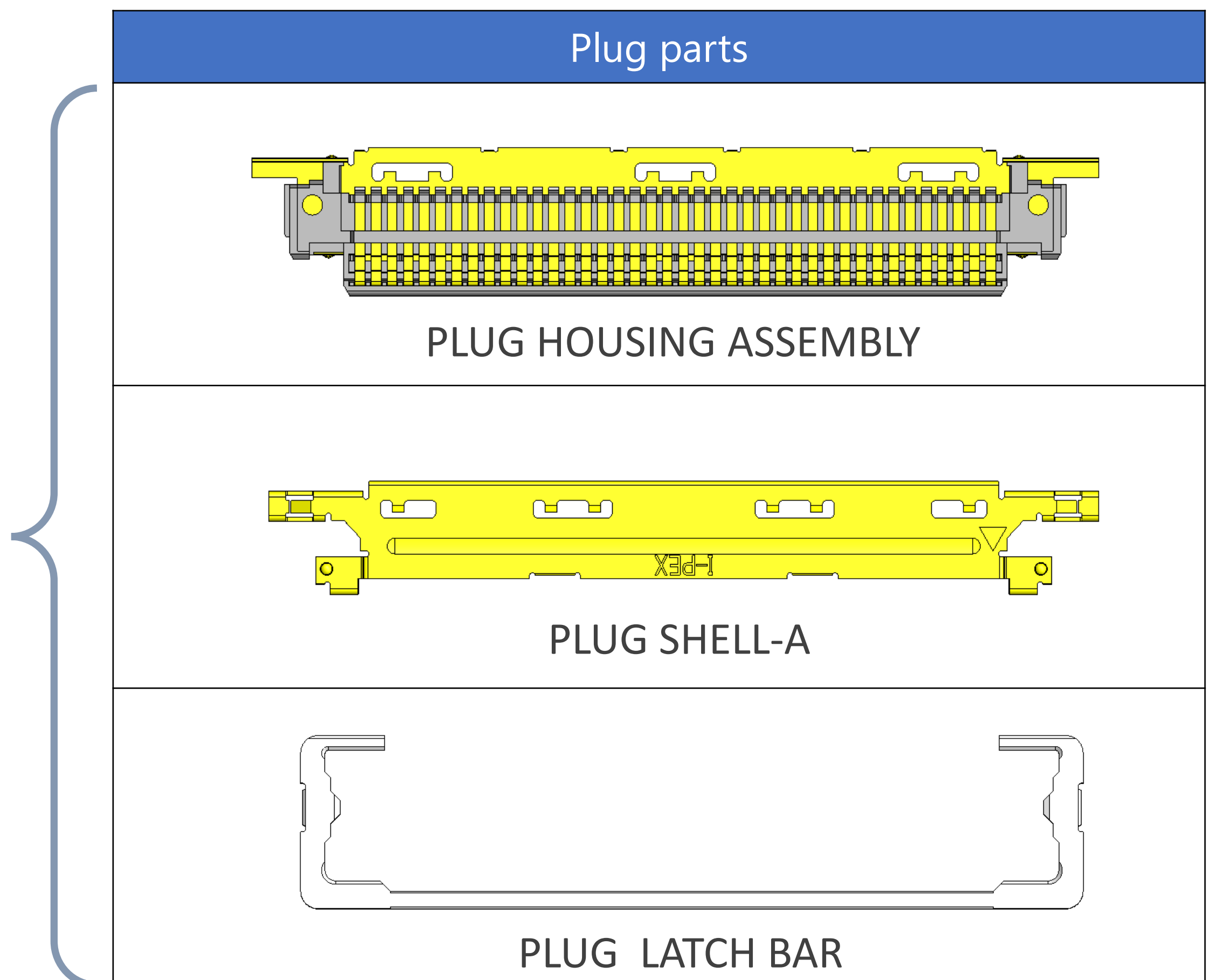
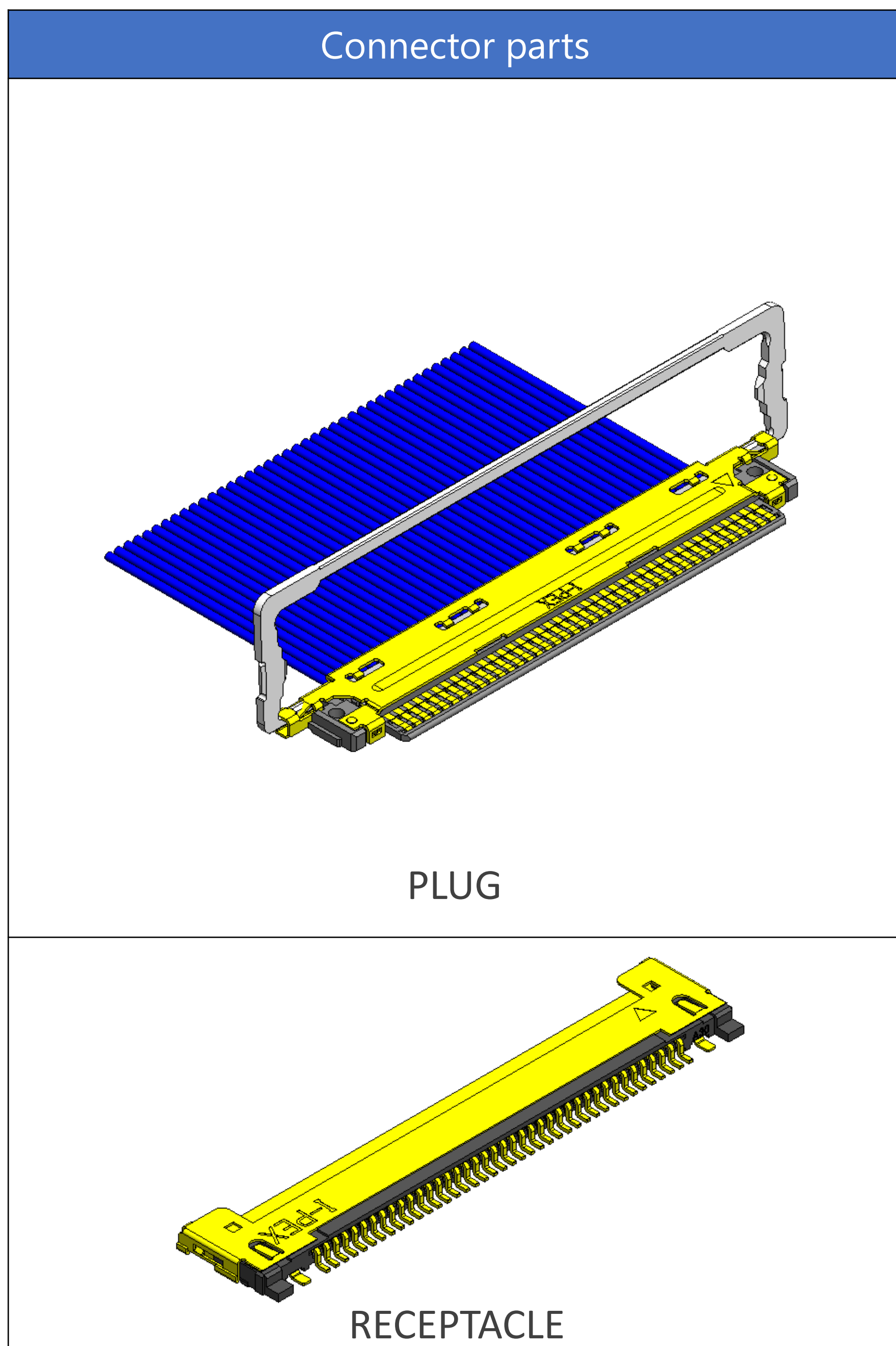


▶ EMI 실드 및 멀티 그라운드 접점 설계



Component Parts Details

Component Parts



Plug for Cable Assembly

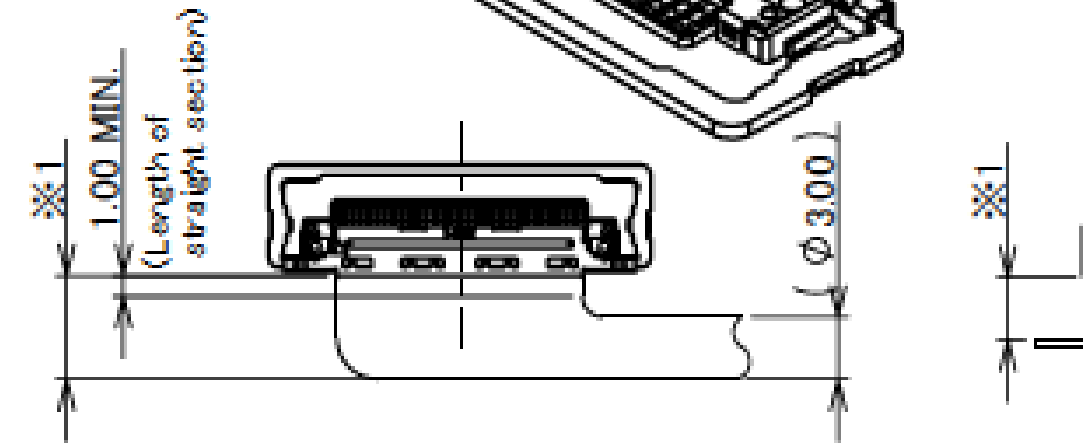
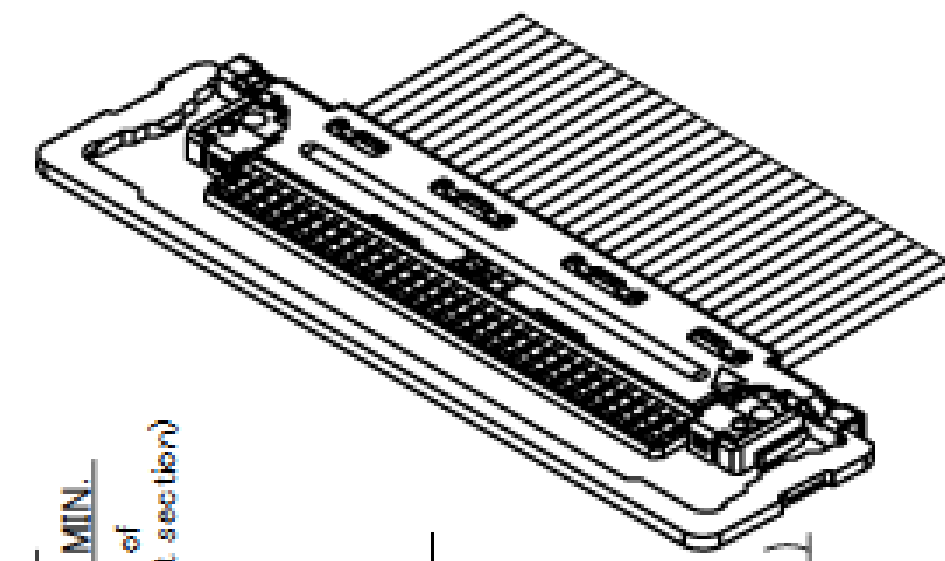
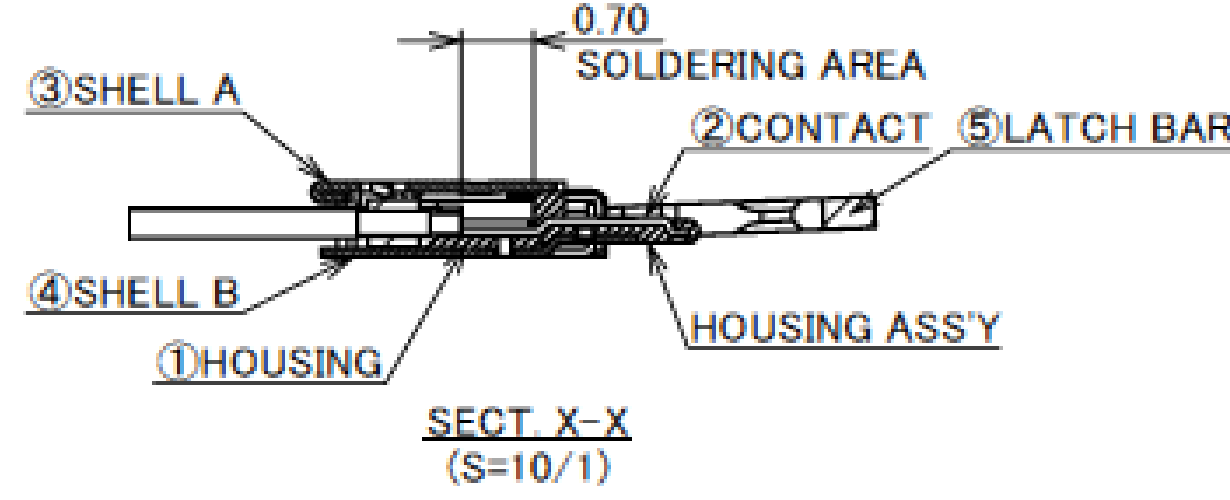
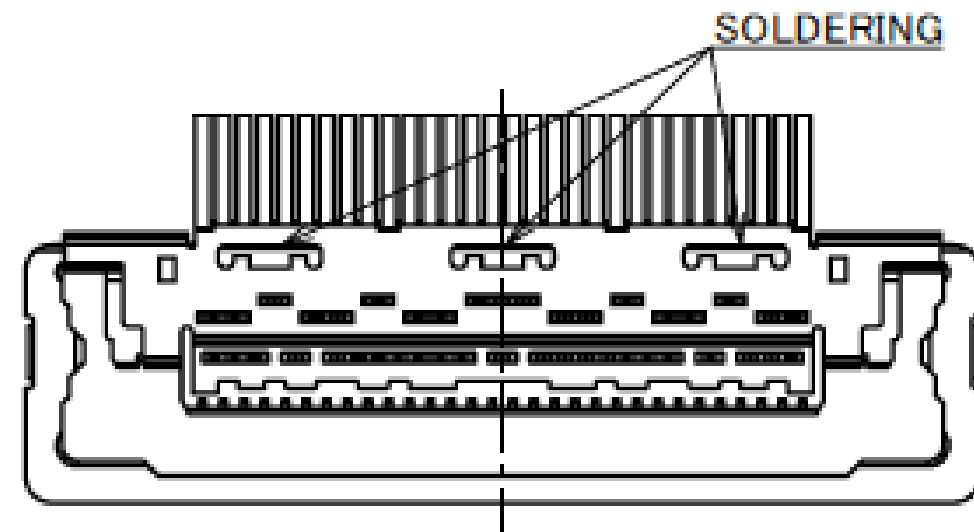
Recommended P/N		20472-0**T-10			
PART NO.	POS.	A	B	C	D
20472-030T-10	30	11.60	12.40	18.44	13.00
20472-040T-10	40	15.60	16.40	22.44	17.00

P/N : 20472-#**T-10

POS.
0: WITH LATCH BAR
1: WITHOUT LATCH BAR

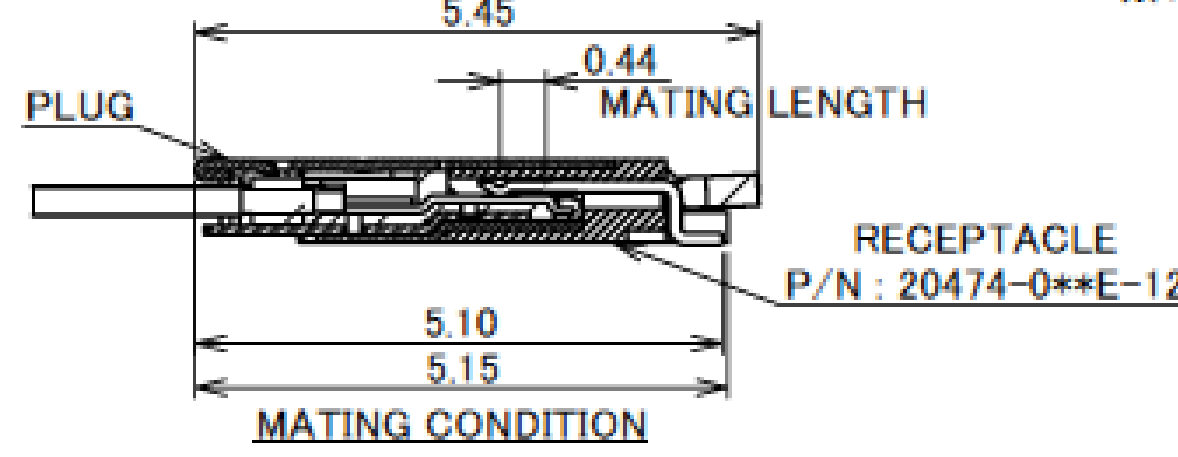


Halogen Free RoHS Compliant

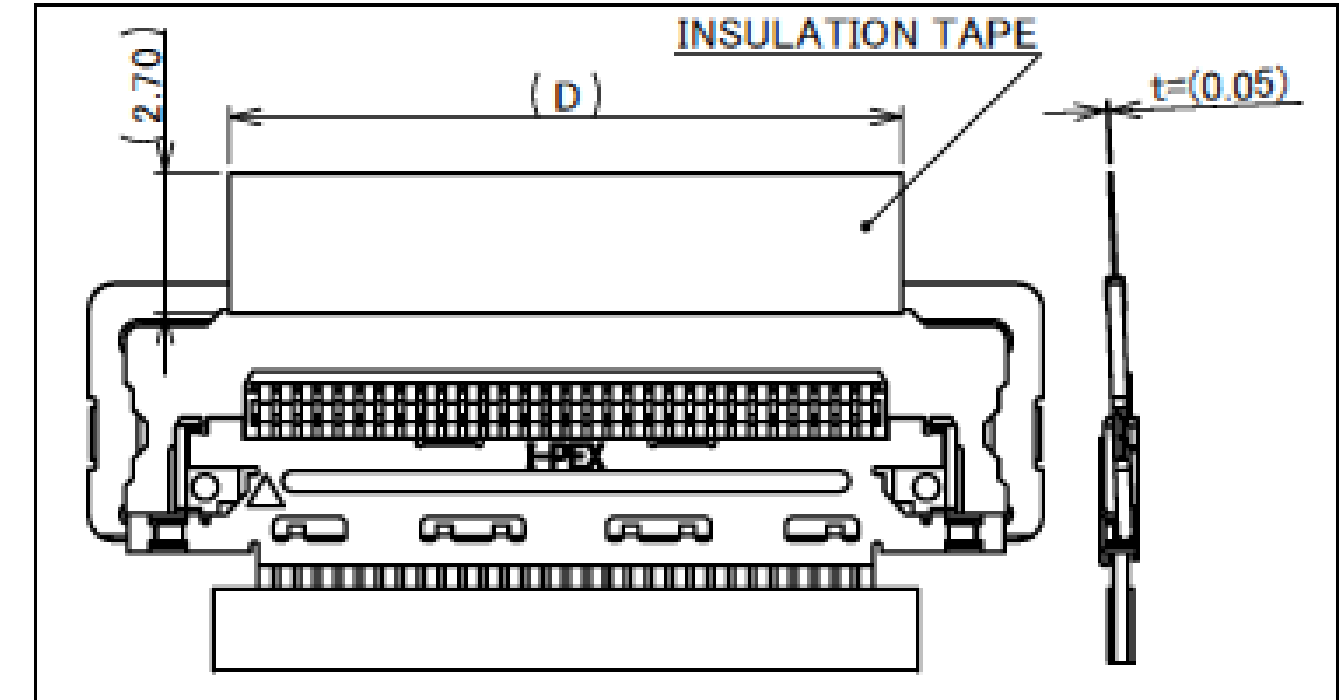


REFERENCE CABLE BENDING DIMENSIONS

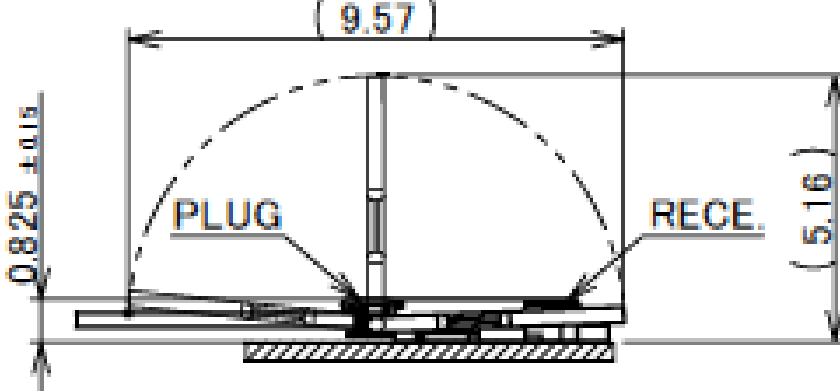
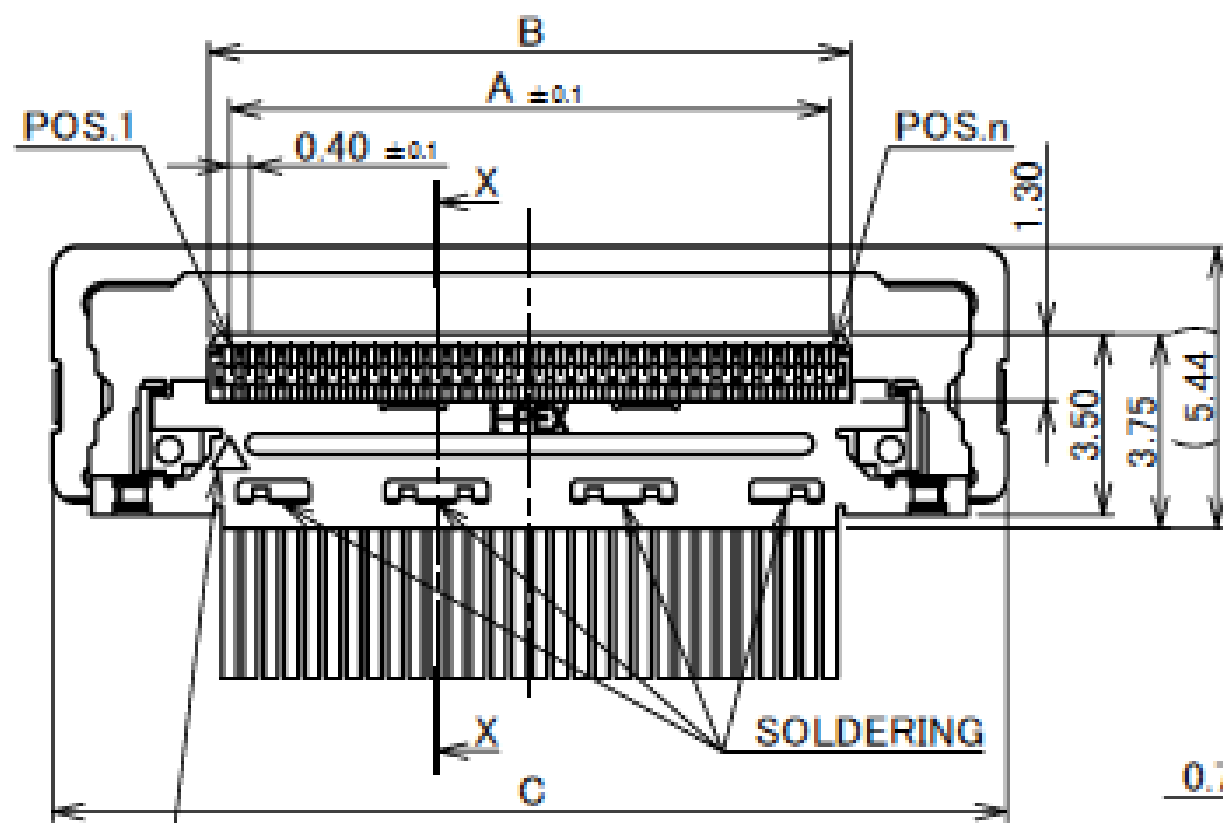
※1: THE BEND DIMENSIONS MAY VARY BASED ON THE SIZE AND QUANTITY OF CABLES. PLEASE CONFIRM THE MINIMUM BENDING RADIUS WITH I-PEX OR THE HARNESS MANUFACTURER.



MATING CONDITION

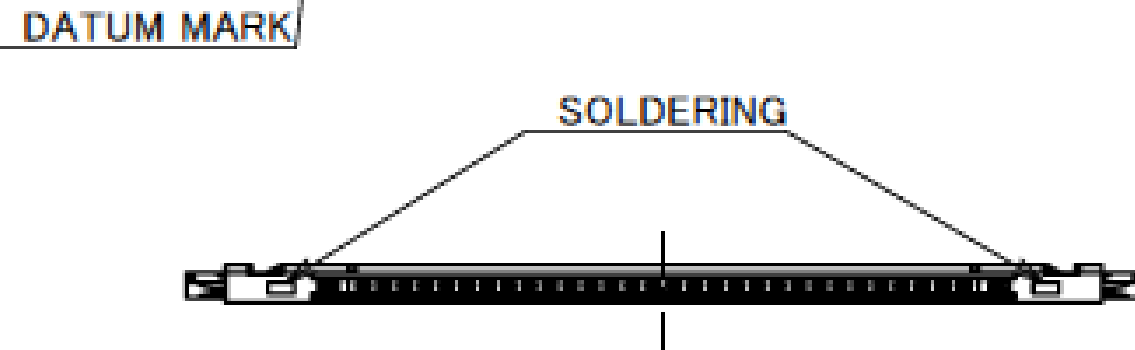


INSULATION TAPE RECOMMENDED DIMENSIONS



LATCH MOVEMENTS

NO.	DISCRIPTION	MATERIAL	FINISH , REMARKS
5	LATCH BAR	SUS	
4	SHELL B	PHOSPHOR BRONZE	Au 0.05 μm MIN. OVER Ni 1.00 μm MIN.
3	SHELL A	PHOSPHOR BRONZE	Au 0.05 μm MIN. OVER Ni 1.00 μm MIN.
2	CONTACT	PHOSPHOR BRONZE	Au 0.1 μm MIN. OVER Ni 1.00 μm MIN.
1	HOUSING	LCP	UL94V-0, BLACK



WITH LATCH BAR

Rev.15

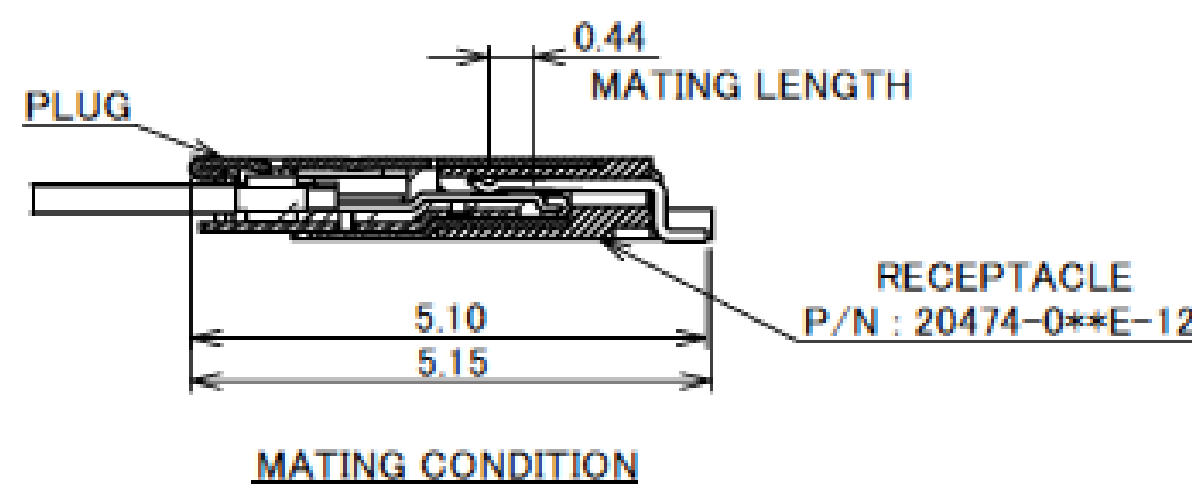
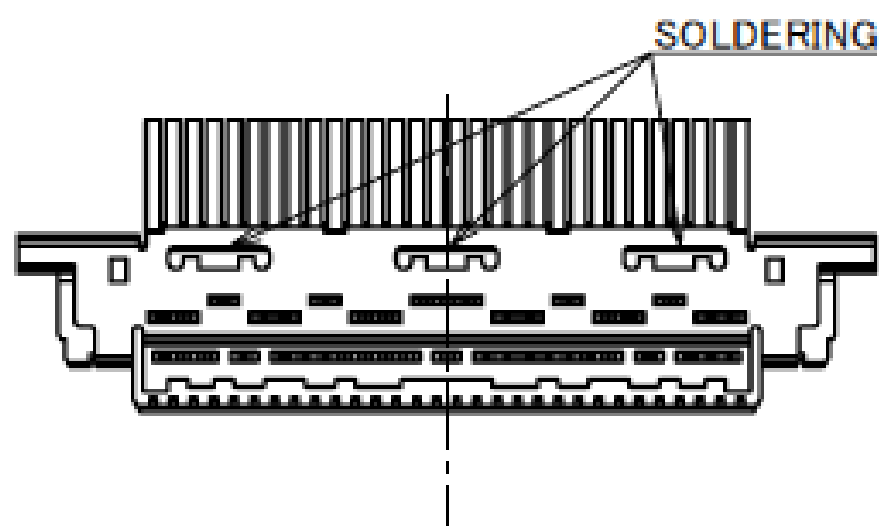
Recommended P/N		20472-0**T-10			
PART NO.	POS.	A	B	E	
20472-130T-10	30	11.60	12.40	16.94	
20472-140T-10	40	15.60	16.40	20.94	

P/N : 20472-#**T-10

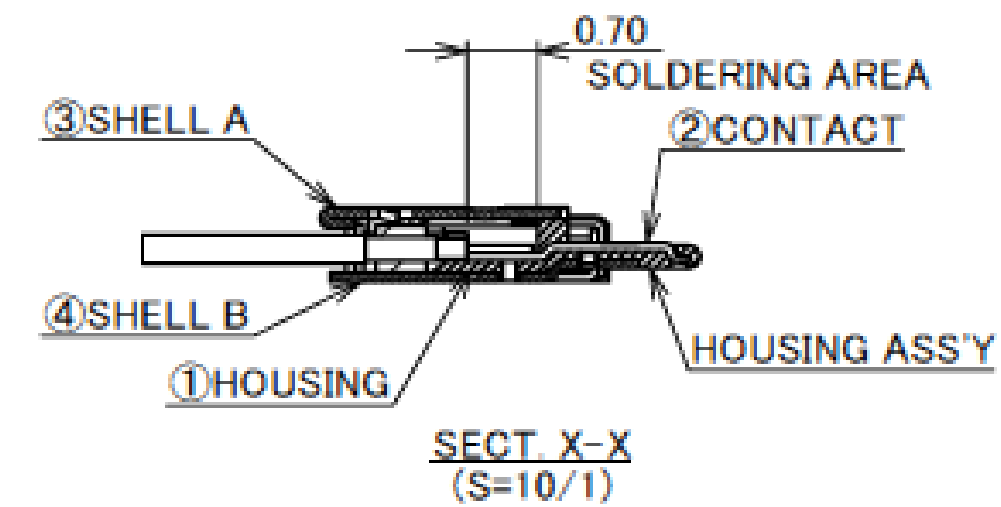
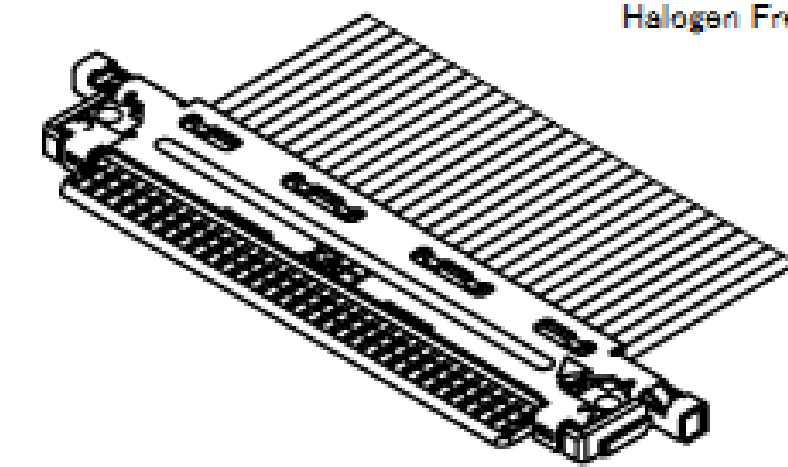
POS.
0: WITH LATCH BAR
1: WITHOUT LATCH BAR



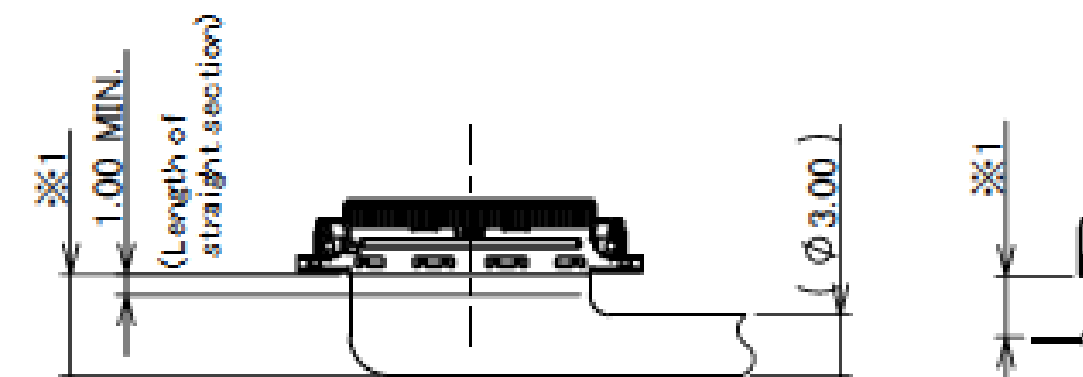
Halogen Free RoHS Compliant



MATING CONDITION

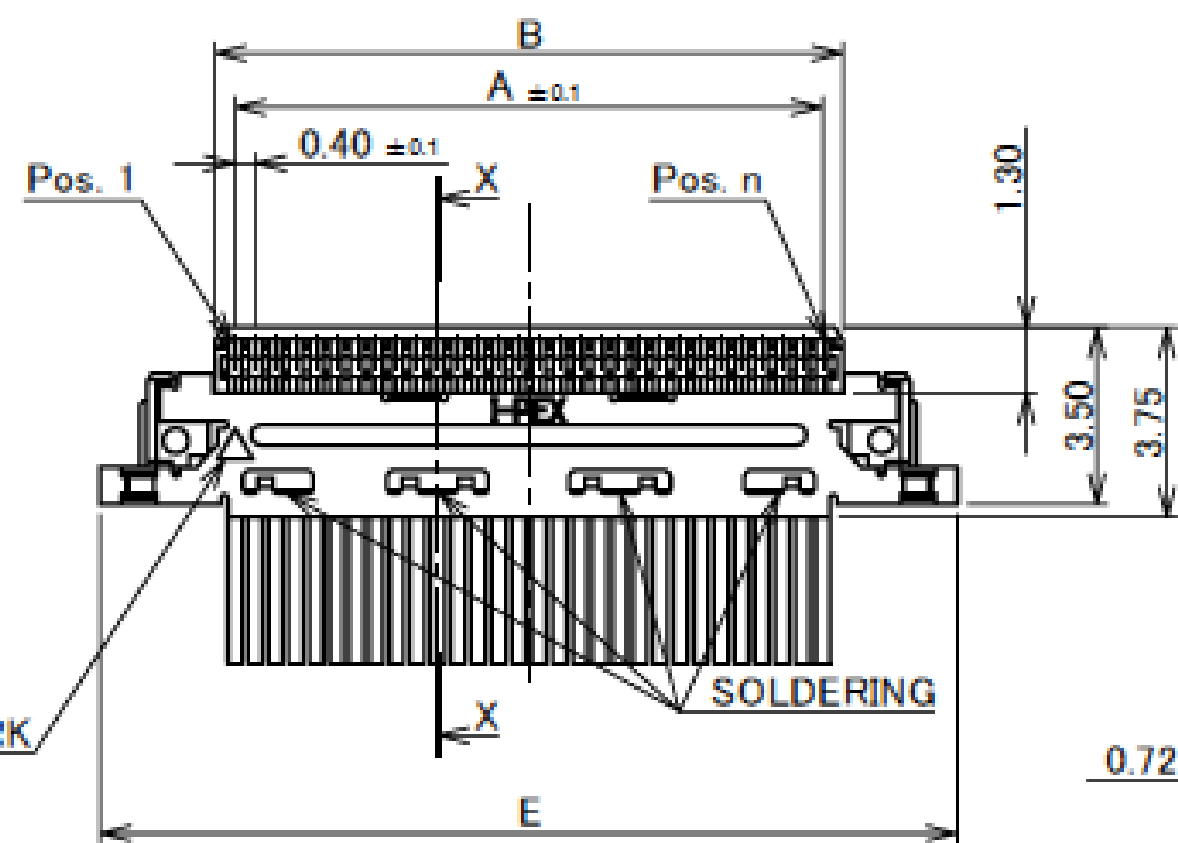


SECT. X-X (S=10/1)

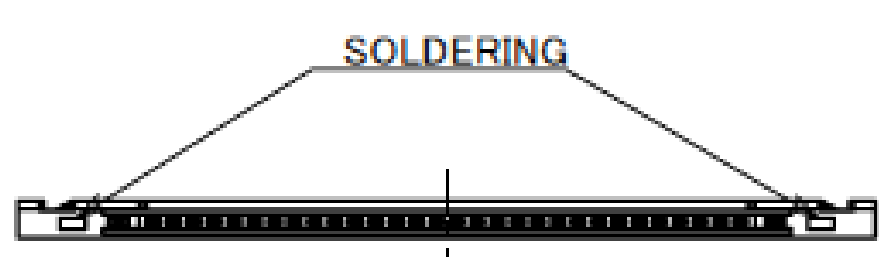


REFERENCE CABLE BENDING DIMENSIONS

※1: THE BEND DIMENSIONS MAY VARY BASED ON THE SIZE AND QUANTITY OF CABLES. PLEASE CONFIRM THE MINIMUM BENDING RADIUS WITH I-PEX OR THE HARNESS MANUFACTURER.



DATUM MARK

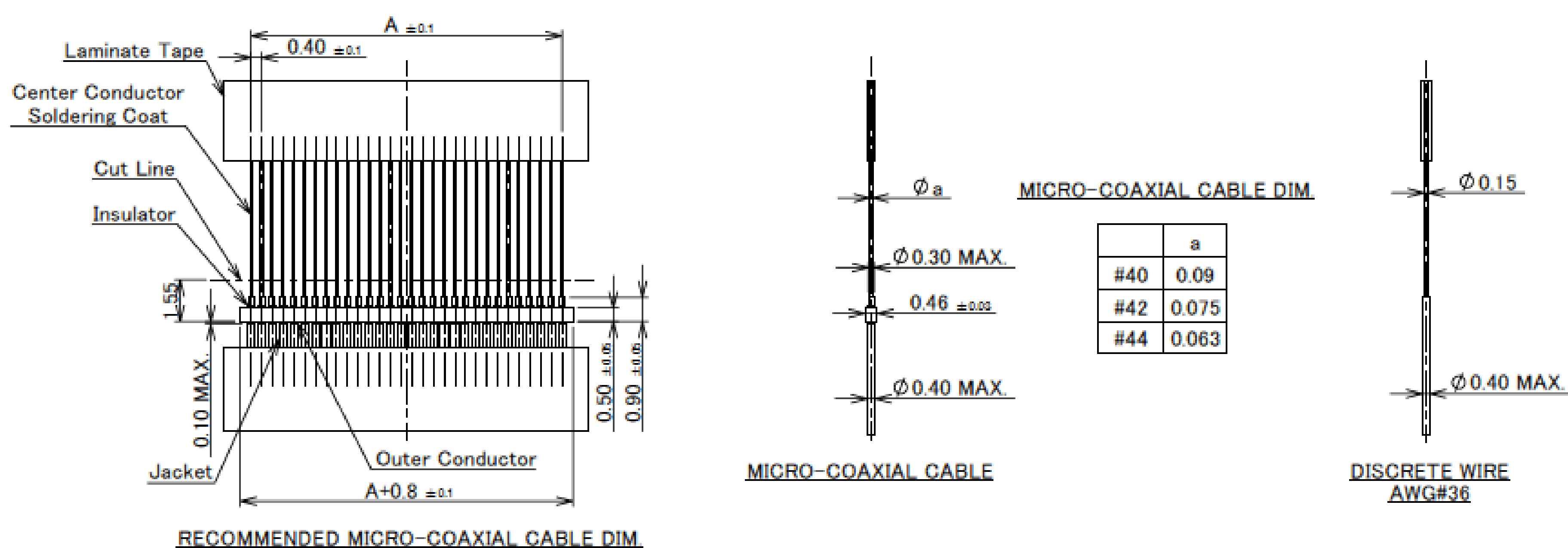


WITHOUT LATCH BAR

Rev.15

Plug for Cable Assembly

PART NO.	POS.	A
20472-#30T-10	30	11.60
20472-#40T-10	40	



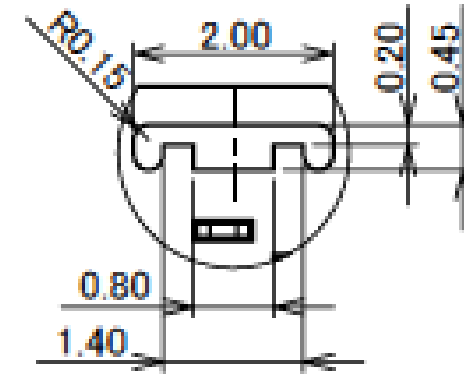
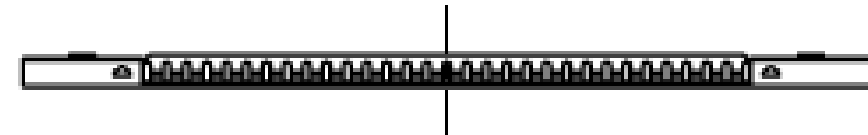
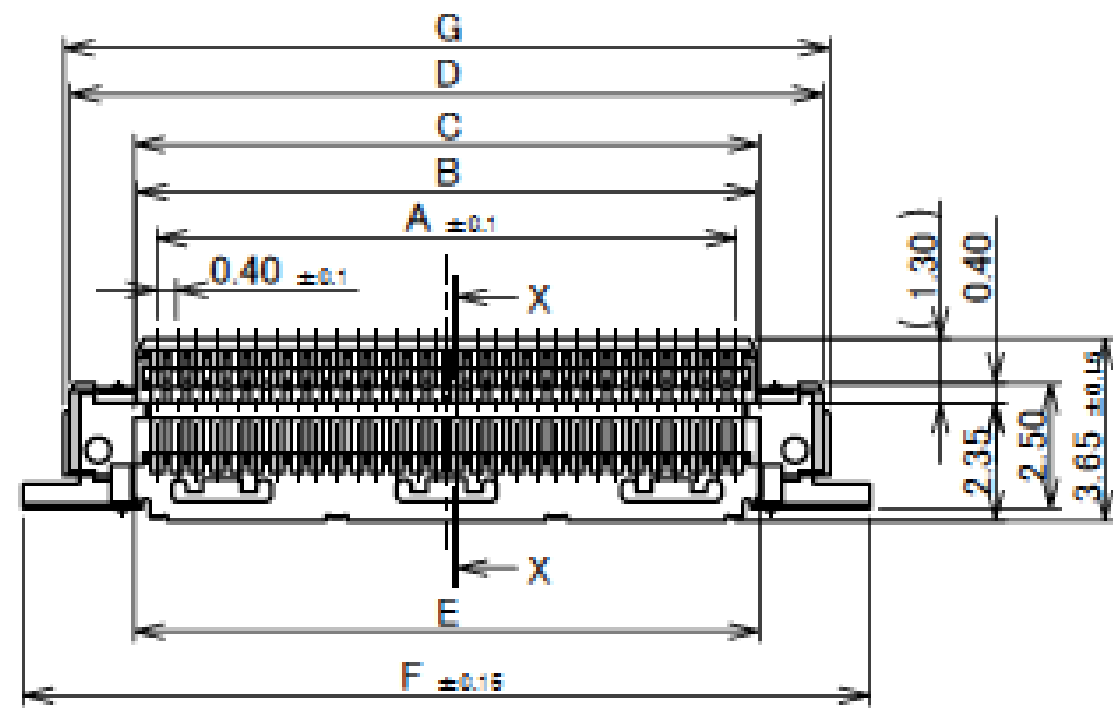
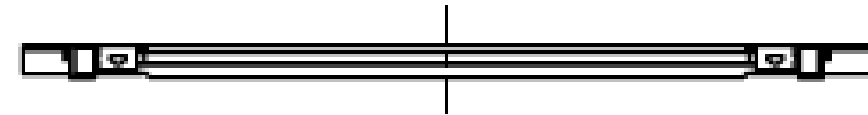
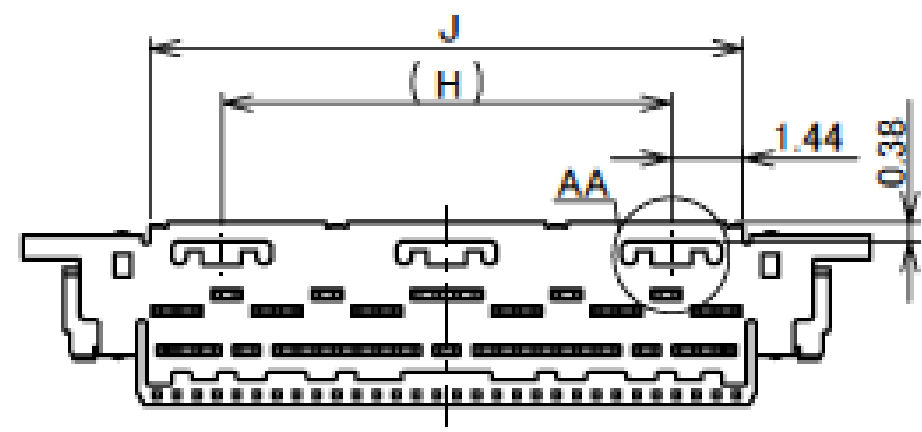
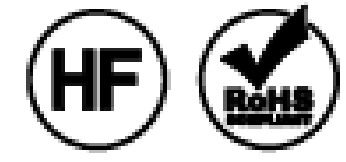
Rev.15

ITEMS	SPECIFICATION
APPLICABLE CABLE	MICRO-COAXIAL CABLE : AWG# 40, 42, 44 DISCRETE WIRE : AWG# 36
RATING VOLTAGE	100V AC (PER CONTACT PIN) ※THIS IS THE RATED VOLTAGE OF THE CONNECTOR. PLEASE NOTE THAT THE RATED VOLTAGE MAY VARY IN THE HARNESS DEPENDING ON THE CABLES USED.
RATING AMPERAGE (FOR CONTACT)	0.1A AC/DC [AWG#44] PER CONTACT PIN 0.24A AC/DC [AWG#42] PER CONTACT PIN 0.3A AC/DC [AWG#40] PER CONTACT PIN 0.8A AC/DC [AWG#36] PER CONTACT PIN ※TESTING BY A REAL MACHINE IS RECOMMENDED BECAUSE TEMPERATURE RISE MAY AFFECTED BY ACTUAL SITUATION.
OPERATING TEMPERATURE	233~358K(-40°C~+85°C)
OPERATING HUMIDITY	85% MAX.
CONTACT RESISTANCE	INITIAL : 275mohm MAX. (AWG#36) / AFTER TEST : \triangleleft40mohm MAX. 600mohm MAX. (AWG#40) 700mohm MAX. (AWG#42) 1080mohm MAX. (AWG#44)
GROUND SHELL RESISTANCE	INITIAL : 50mohm MAX. / AFTER TEST : \triangleleft40mohm MAX.
INSULATION RESISTANCE	INITIAL : 1000Mohm MIN. / AFTER TEST : 500Mohm MIN.
DIELECTRIC WITHSTANDING VOLTAGE	AC250V 1min
DURABILITY	30 CYCLES
MATING FORCE (INITIAL / AFTER TEST)	30P : 10N MAX. 40P : 12N MAX.
UNMATING FORCE (INITIAL / AFTER TEST)	30P : 3.0N MIN. 40P : 4.0N MIN.
CABLE RETENTION FORCE	30P : 14.70N MIN. 40P : 19.60N MIN.
PRODUCT SPECIFICATION	PRS-1421
TEST REPORT	TR-08030
INSTRUCTION MANUAL	HIM-09002
ASSEMBLY MANUAL	ASM-09002
APPEARANCE CRITERIA No.	QLS-A***

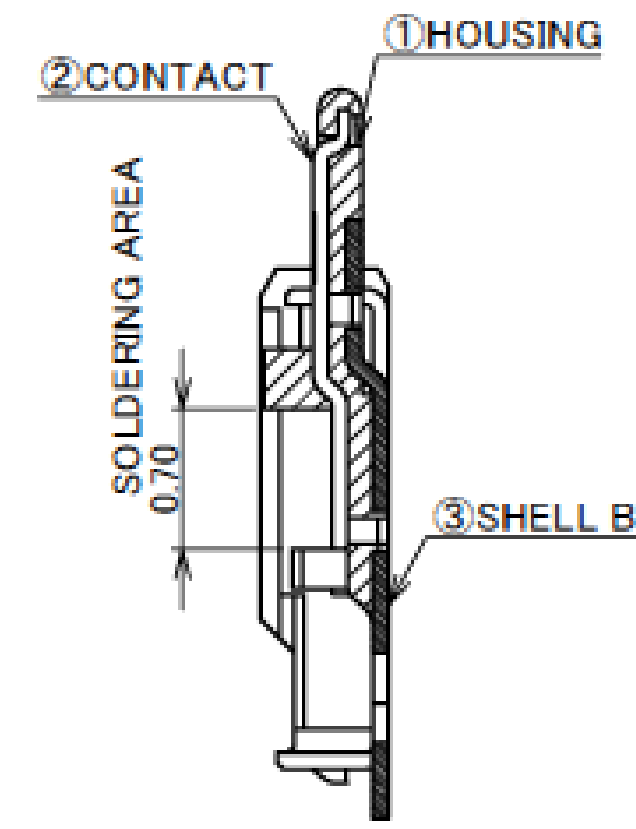
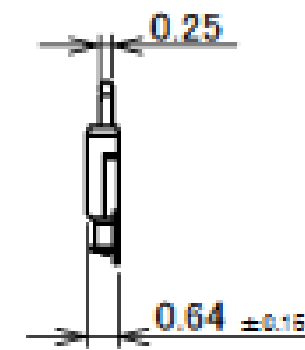
Rev.15

Plug Housing Assembly

Recommended P/N		20473-0**T-10									
PART NO.	POS.	A	B	C	D	E	F	G	H	J	
20473-030T-10	30	11.60	12.40	12.65	15.08	12.65	16.94	15.34	9.00	11.88	
20473-040T-10	40	15.60	16.40	16.65	19.08	16.65	20.94	19.34	13.00	15.88	



DETAIL AA
(S=10/1)



SECT. X-X
(S=10/1)

NOTES

- THIS PART IS ASSEMBLED WITH SHELL A(P/N 2618-0**1) AND LATCH BAR(P/N 2619-***0) AFTER SOLDERED THE CABLE, AND IT BECOMES P/N 20472-0**T-10

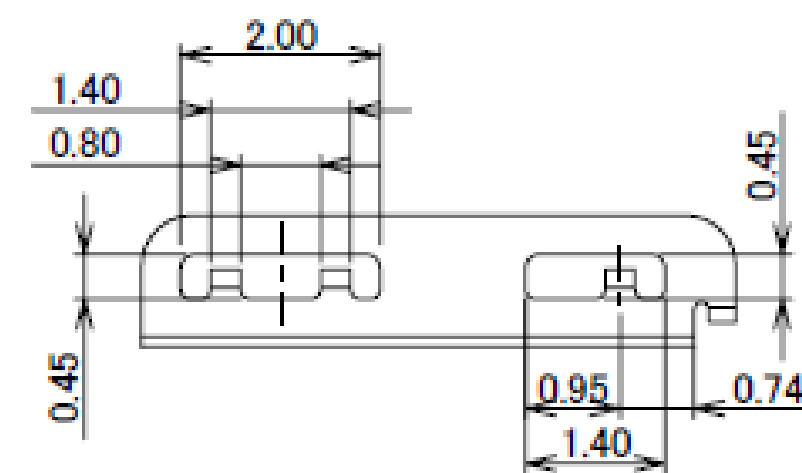
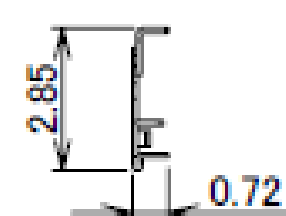
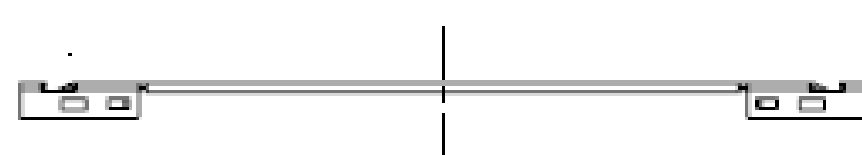
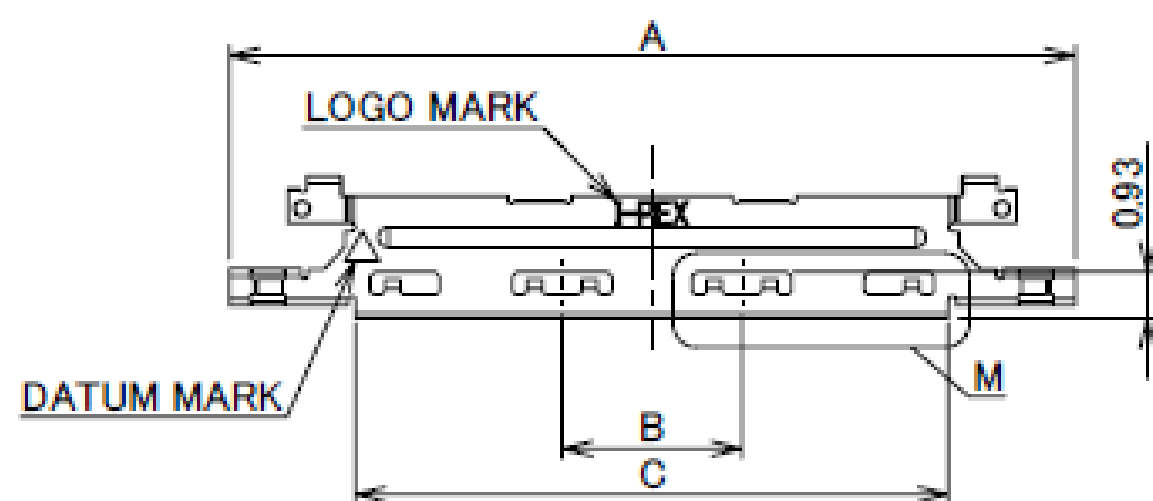
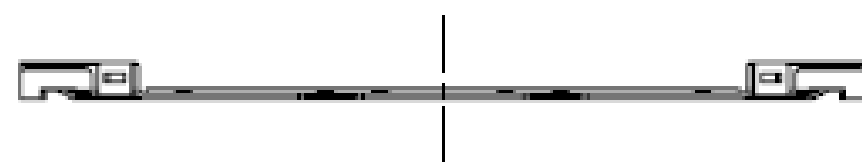
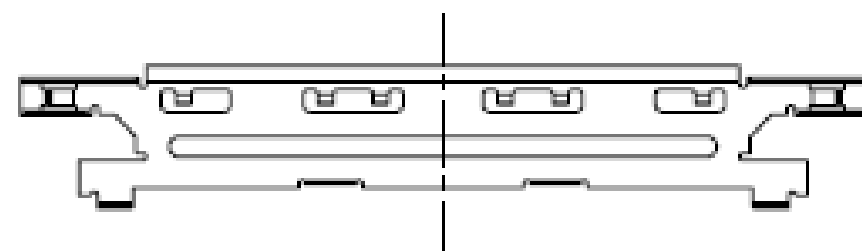
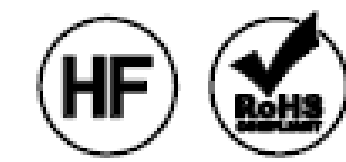
NO.	DISCRIPTION	MATERIAL	FINISH , REMARKS
3	SHELL B	PHOSPHOR BRONZE	Au 0.05 μm MIN. OVER Ni 1.00 μm MIN.
2	CONTACT	PHOSPHOR BRONZE	Au 0.1 μm MIN. OVER Ni 1.00 μm MIN.
1	HOUSING	LCP	UL94V-0, BLACK

Rev.6

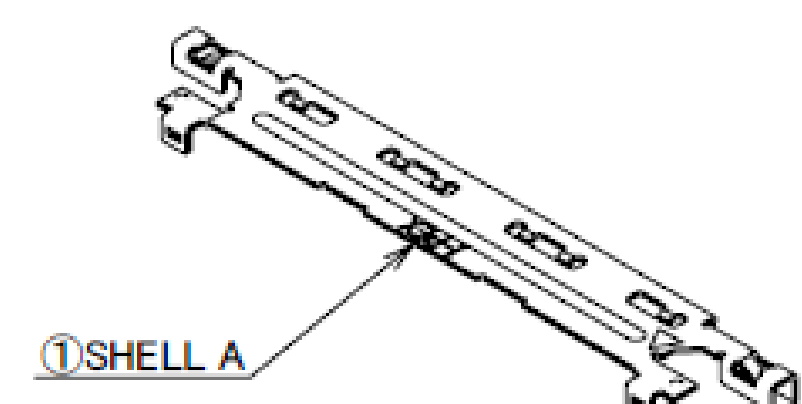
Plug Shell-A

Recommended P/N		2618-0**1		
PART NO.	POS.	A	B	C
2618-0301	30	16.94	3.60	11.88
2618-0401	40	20.94	5.60	15.88

P/N:2618-0**1
POS.



DETAIL M
(S=10/1)



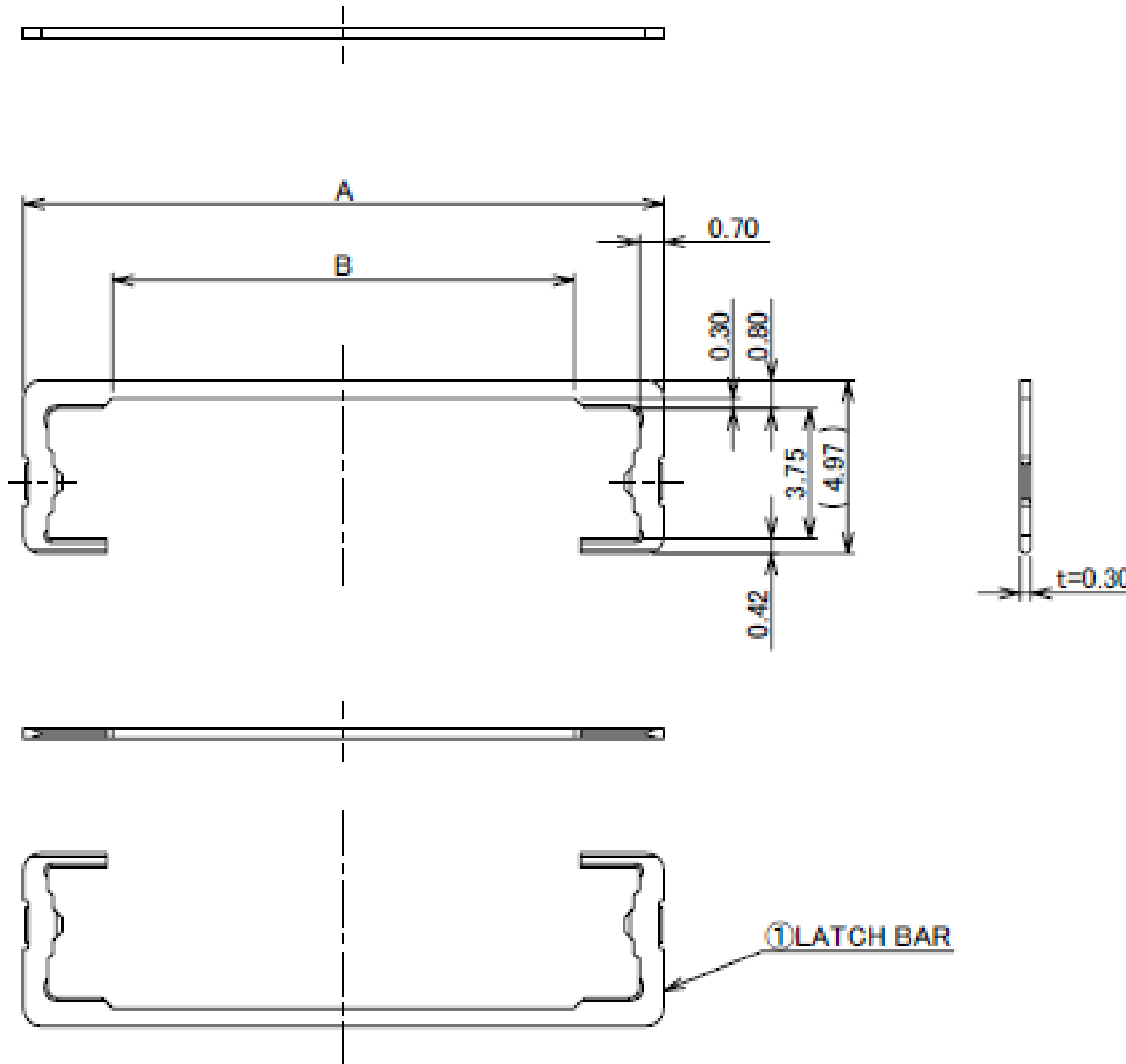
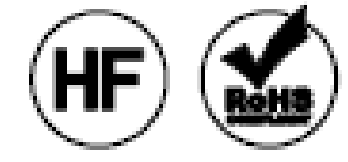
NO.	DISCRIPTION	MATERIAL	FINISH , REMARKS
1	SHELL A	PHOSPHOR BRONZE	Au 0.05 μm MIN. OVER Ni 1.00 μm MIN.

Rev.5

Plug Latch Bar

Recommended P/N		2619-0**0	
PART NO.	POS.	A	B
2619-0300	30	18.44	13.00
2619-0400	40	22.44	17.00

2619-0**0
POS.

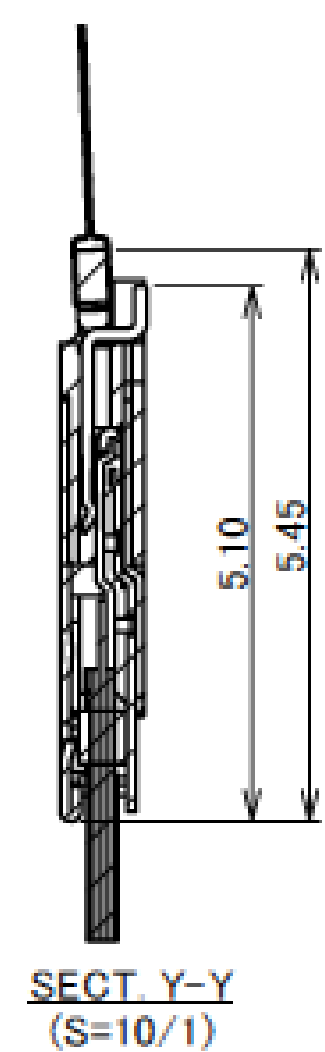
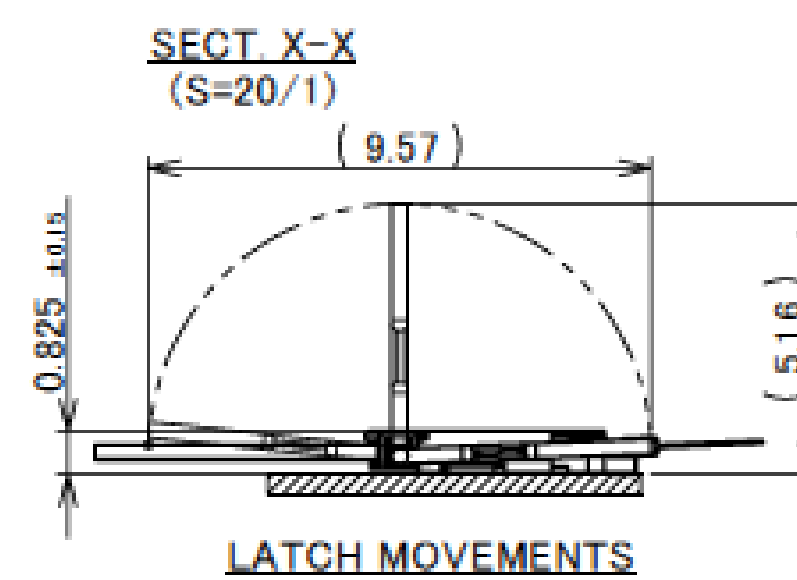
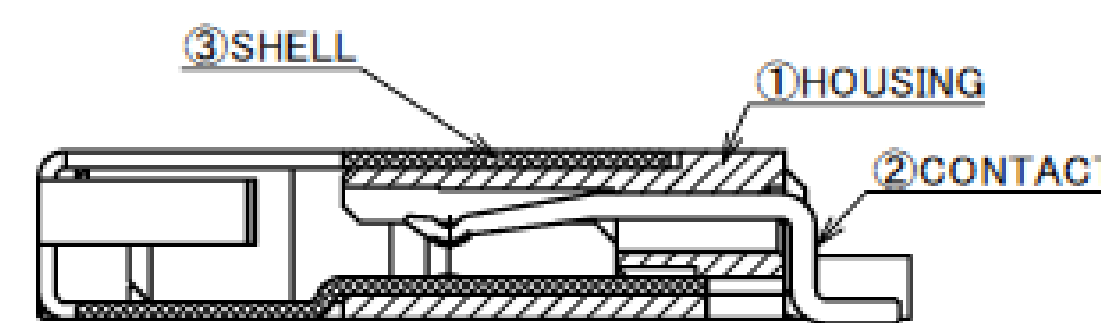
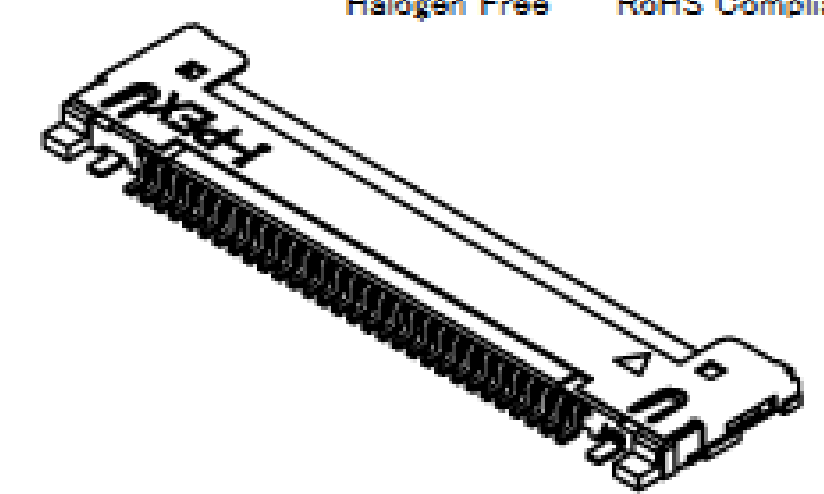
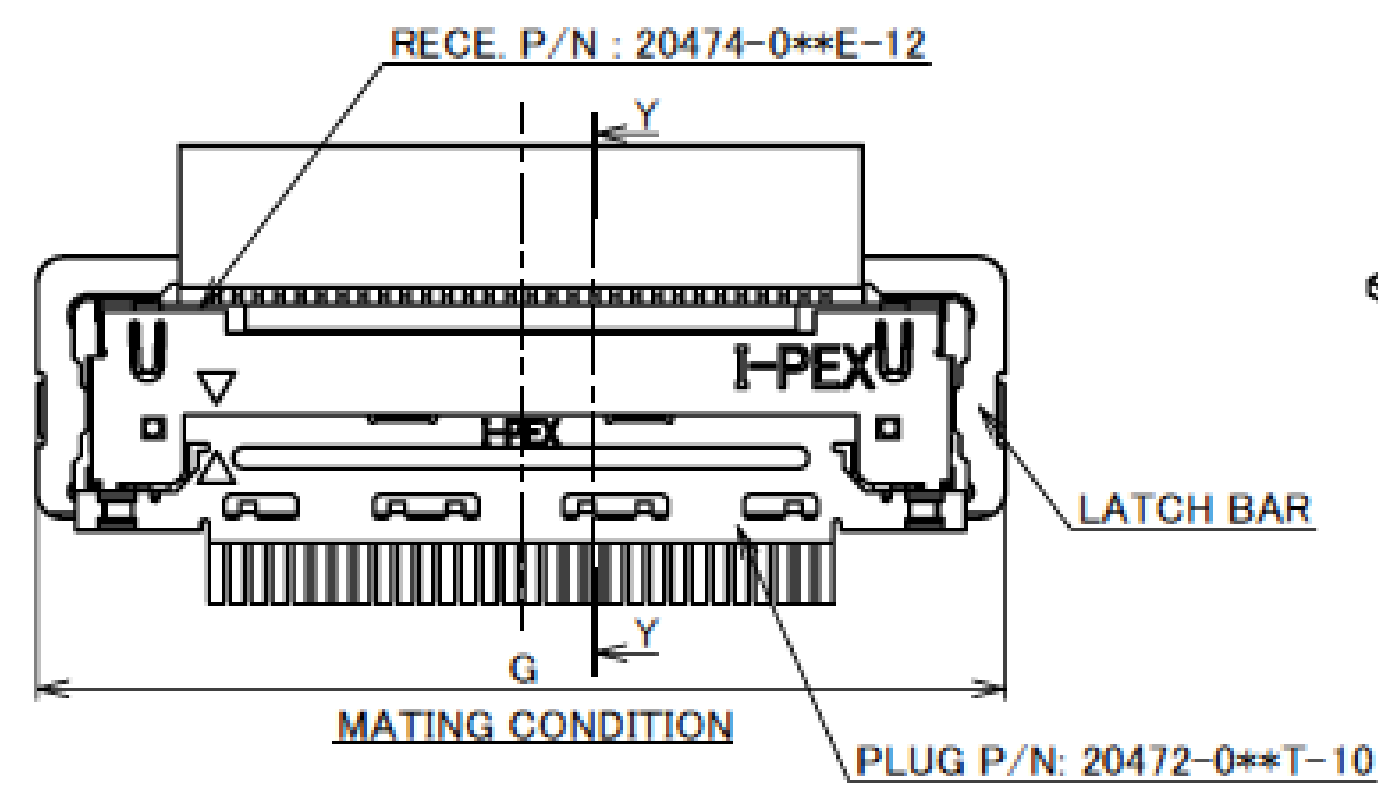
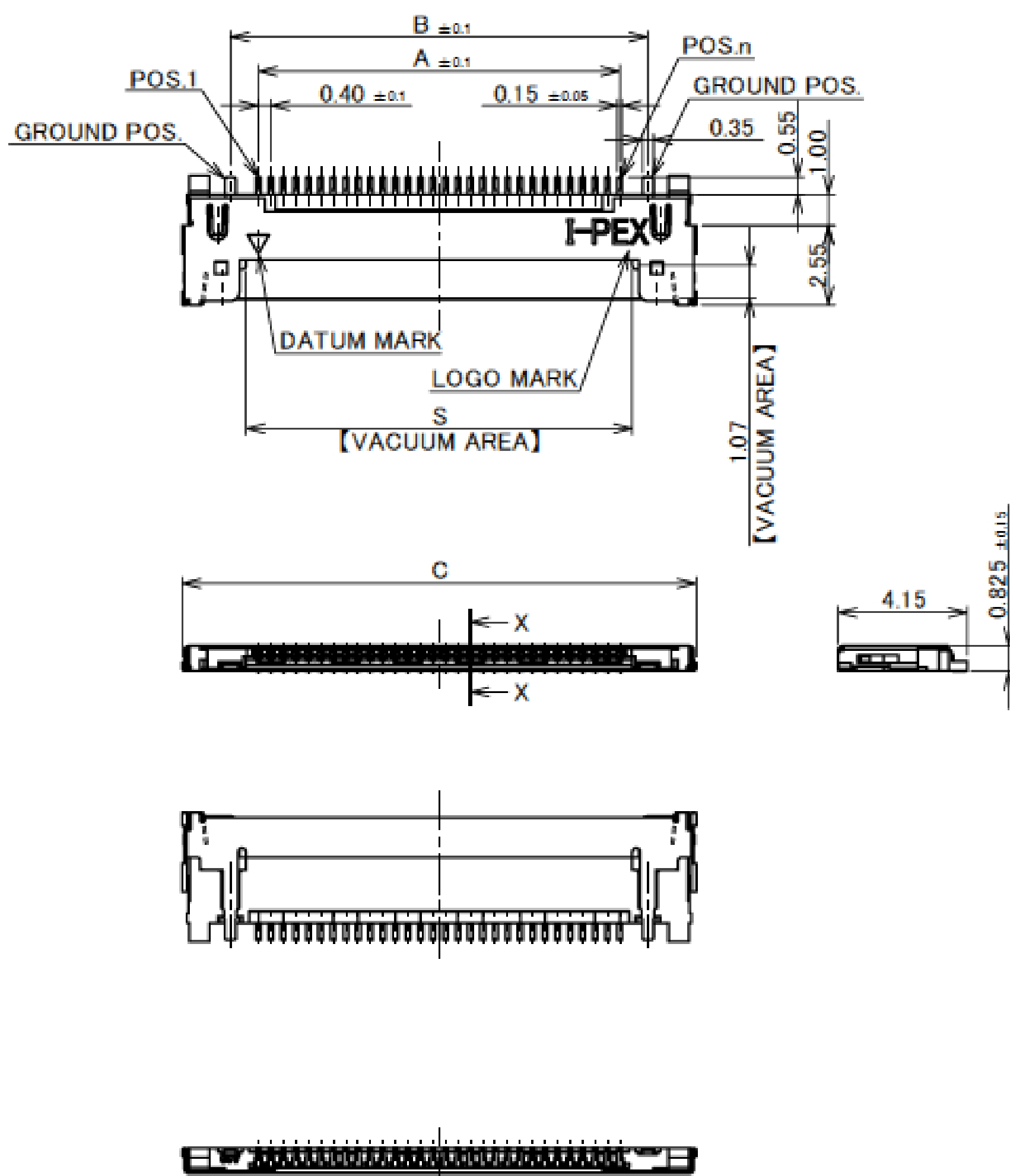


NO.	DISCRIPTION	MATERIAL	FINISH , REMARKS
1	LATCH BAR	SUS	-

Rev.7

Receptacle Assembly

Recommended P/N		20474-0**E-12				
PART NO.	POS.	A	B	C	G	S
20474-030E-12	30	11.60	13.40	16.50	18.44	12.40
20474-040E-12	40	15.60	17.40	20.50	22.44	16.40

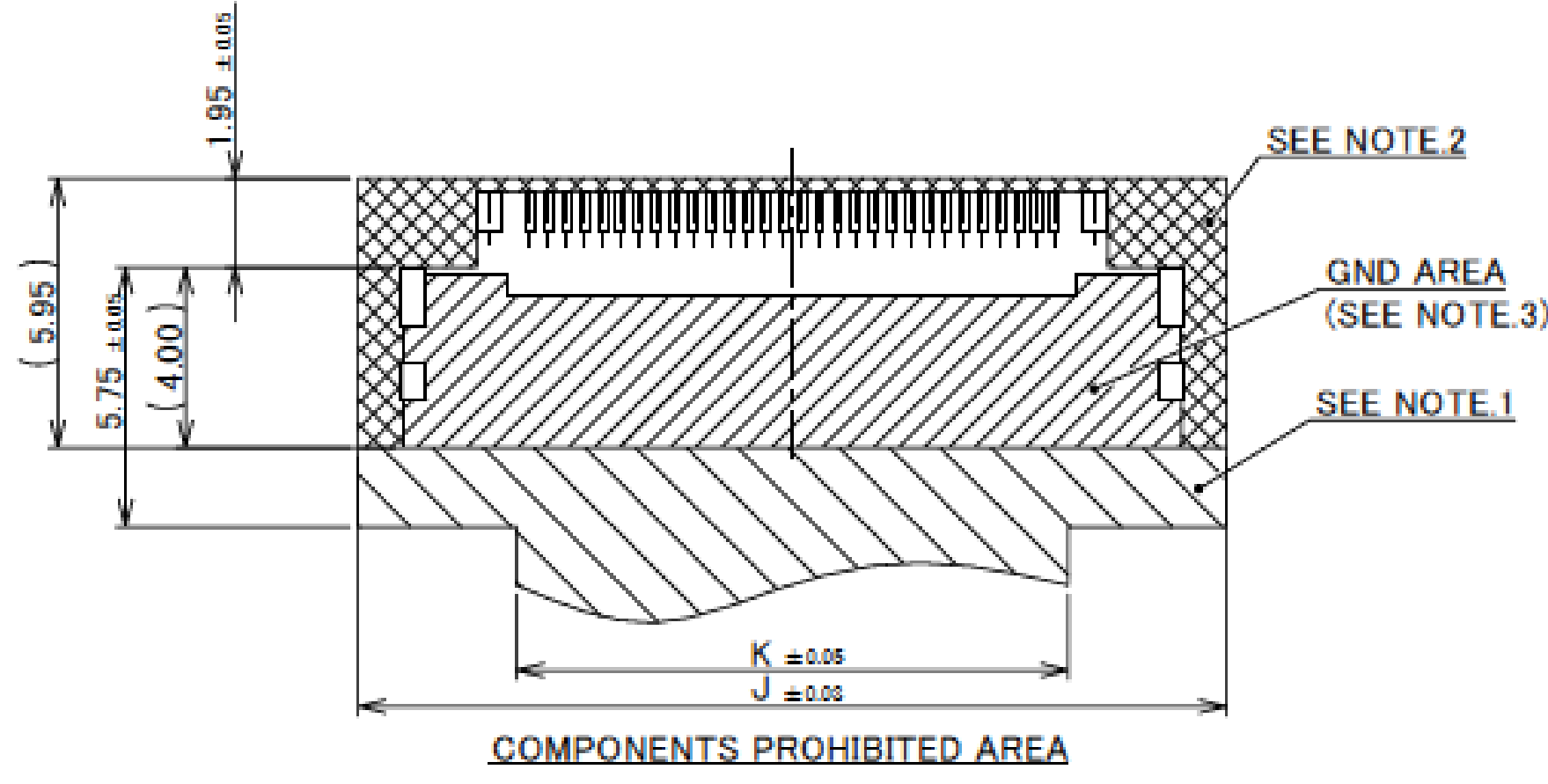
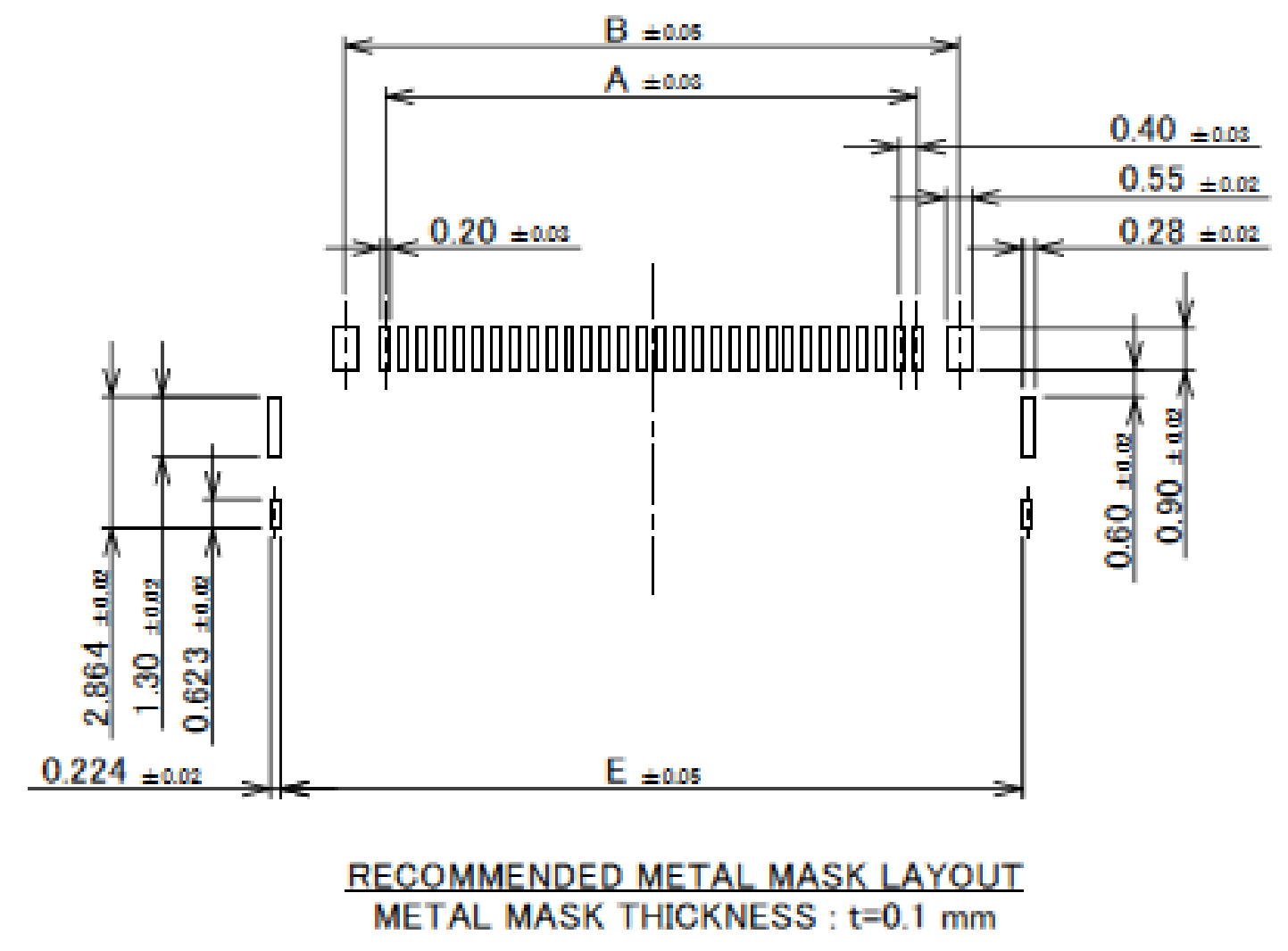
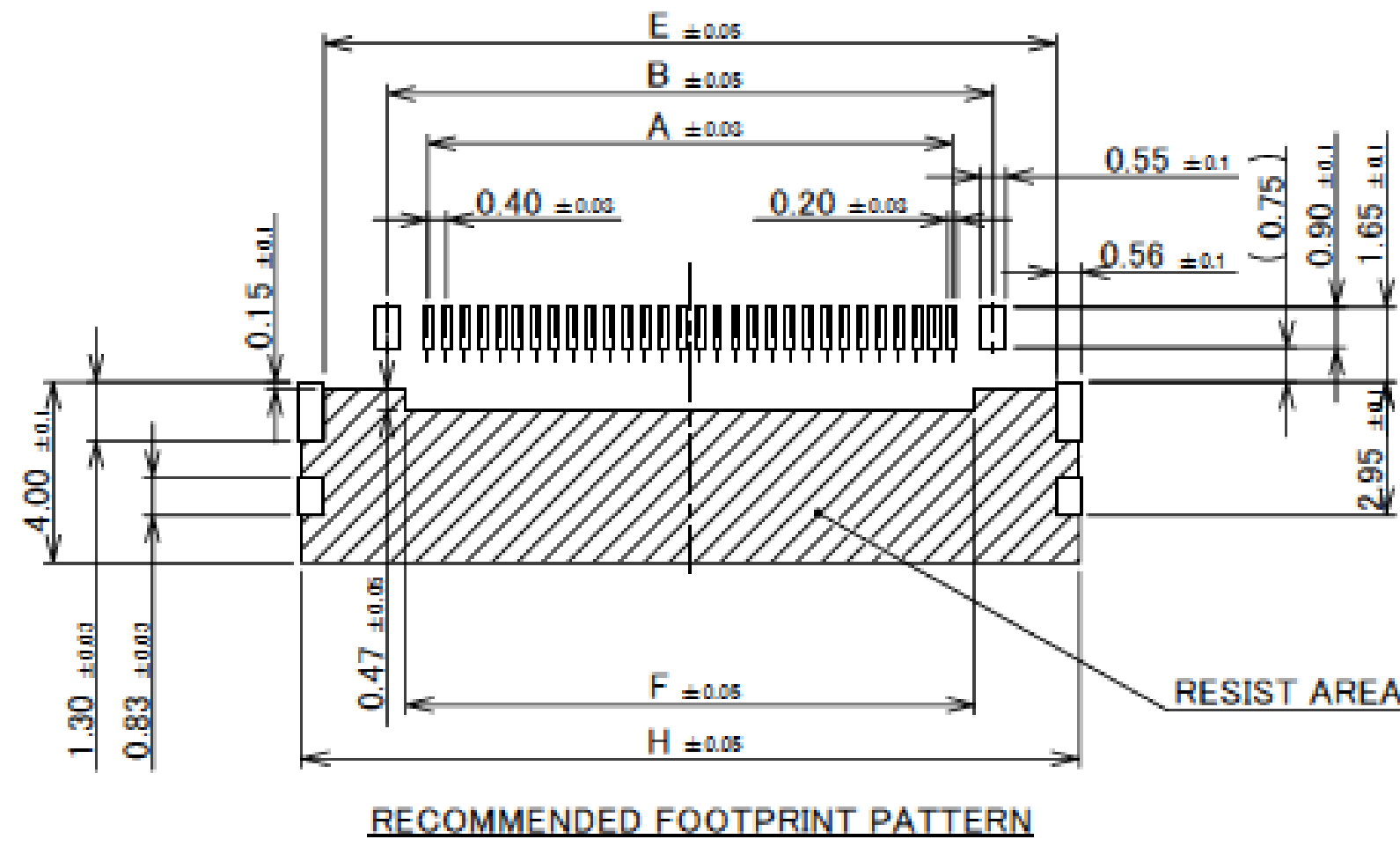


3	SHELL	PHOSPHOR BRONZE	Au 0.05 μ m MIN. OVER Ni 1.00 μ m MIN.
2	CONTACT	PHOSPHOR BRONZE	CONTACT AREA : Au 0.1 μ m MIN. OVER Ni 1.00 μ m MIN. SOLDERING AREA : Au 0.03 μ m MIN. OVER Ni 1.00 μ m MIN.
1	HOUSING	LCP	UL94V-0, BLACK
NO.	DISCRIPTION	MATERIAL	FINISH , REMARKS

Rev.14

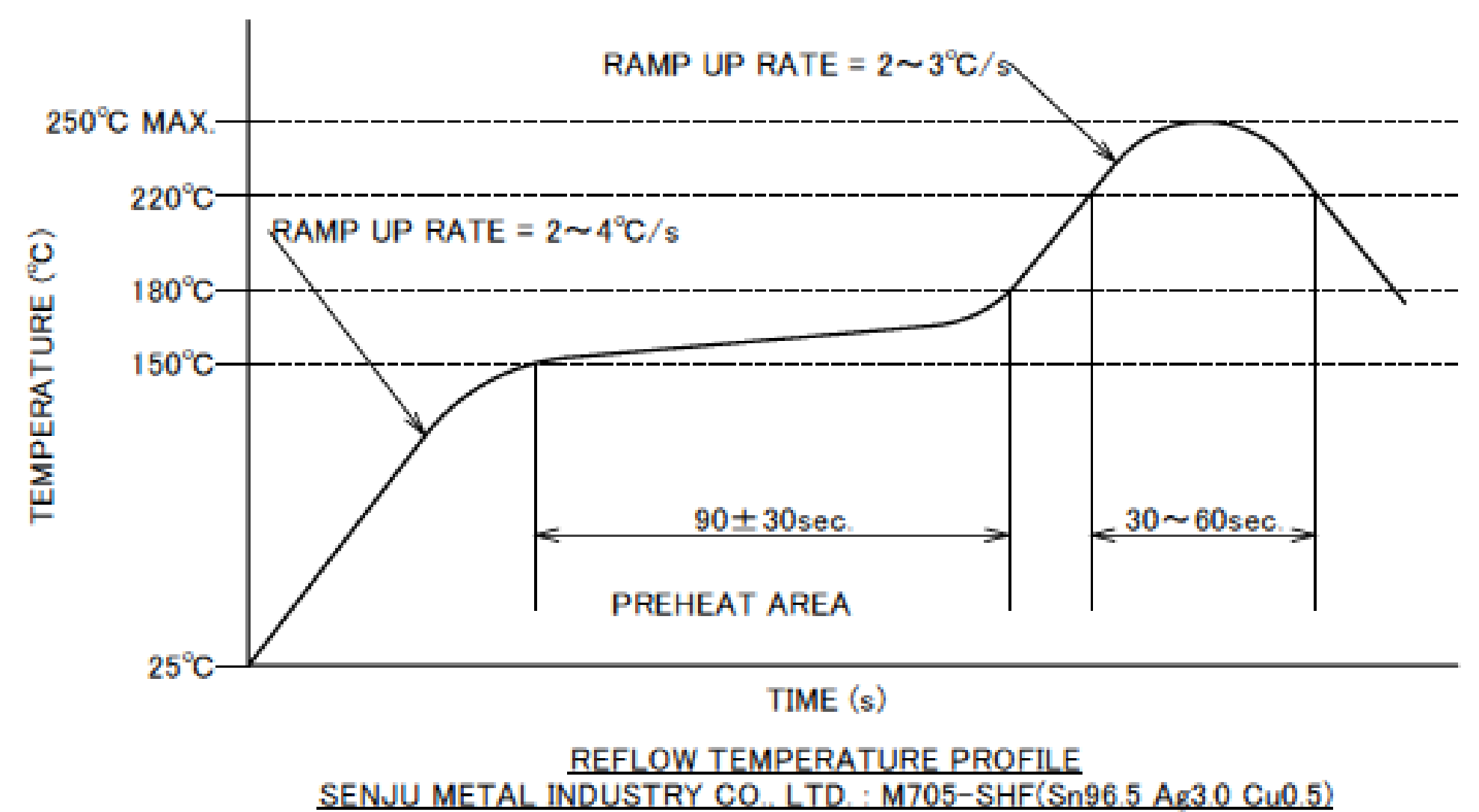
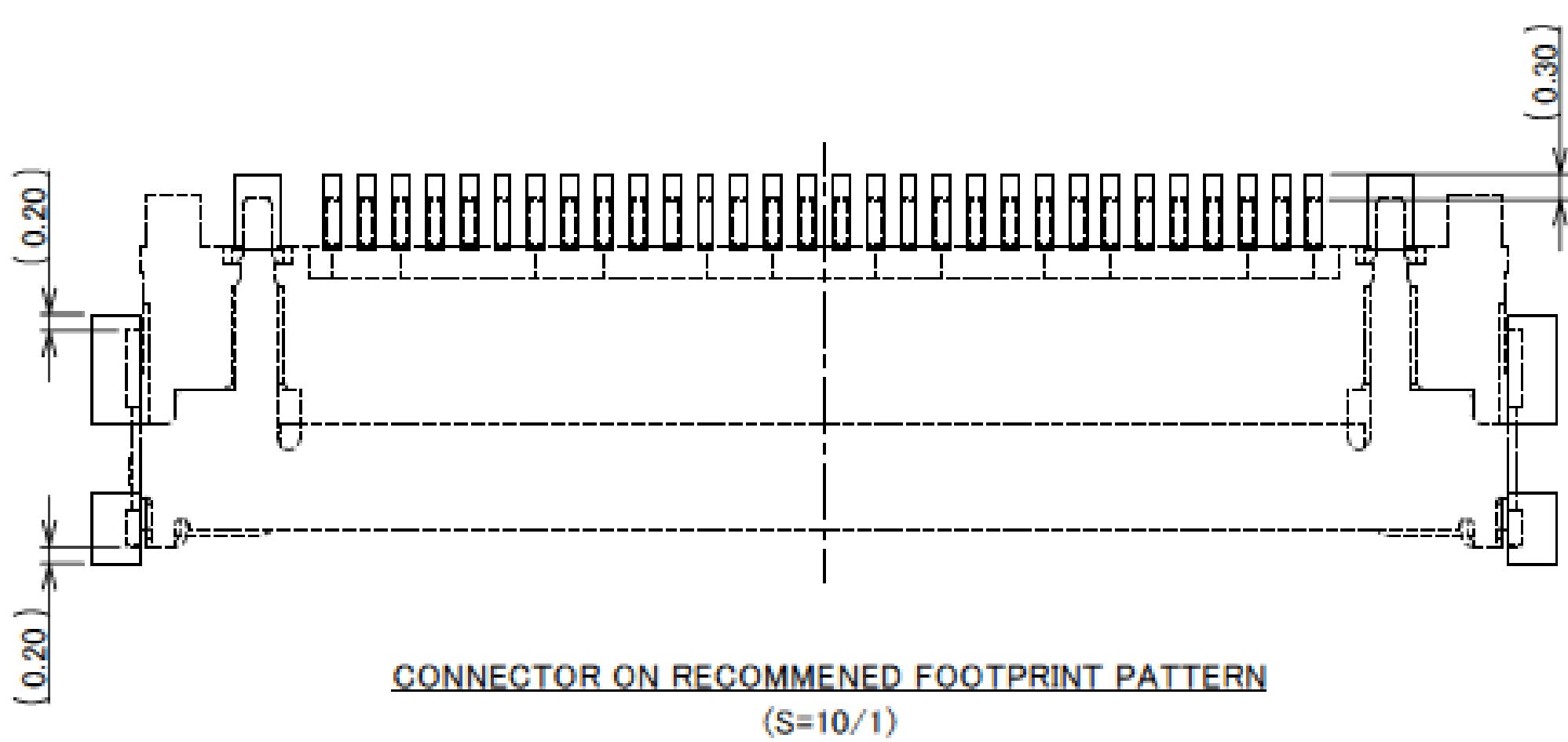
Receptacle Assembly

PART NO.	POS.	A	B	E	F	H	J	K
20474-030E-12	30	11.60	13.40	16.18	12.59	17.20	19.20	12.20
20474-040E-12	40	15.60	17.40	20.18	16.59	21.20	23.20	16.20



- NOTES.
- DO NOT MOUNT ANOTHER COMPONENT IN THIS AREA.
 - IN CASE OF PLUG WITH LATCH BAR(20472-0**T-10). DO NOT MOUNT ANOTHER COMPONENT IN THIS AREA.
 - SODLER RESIST MUST BE APPLIED TO THIS AREA.

Rev.14



Receptacle Assembly

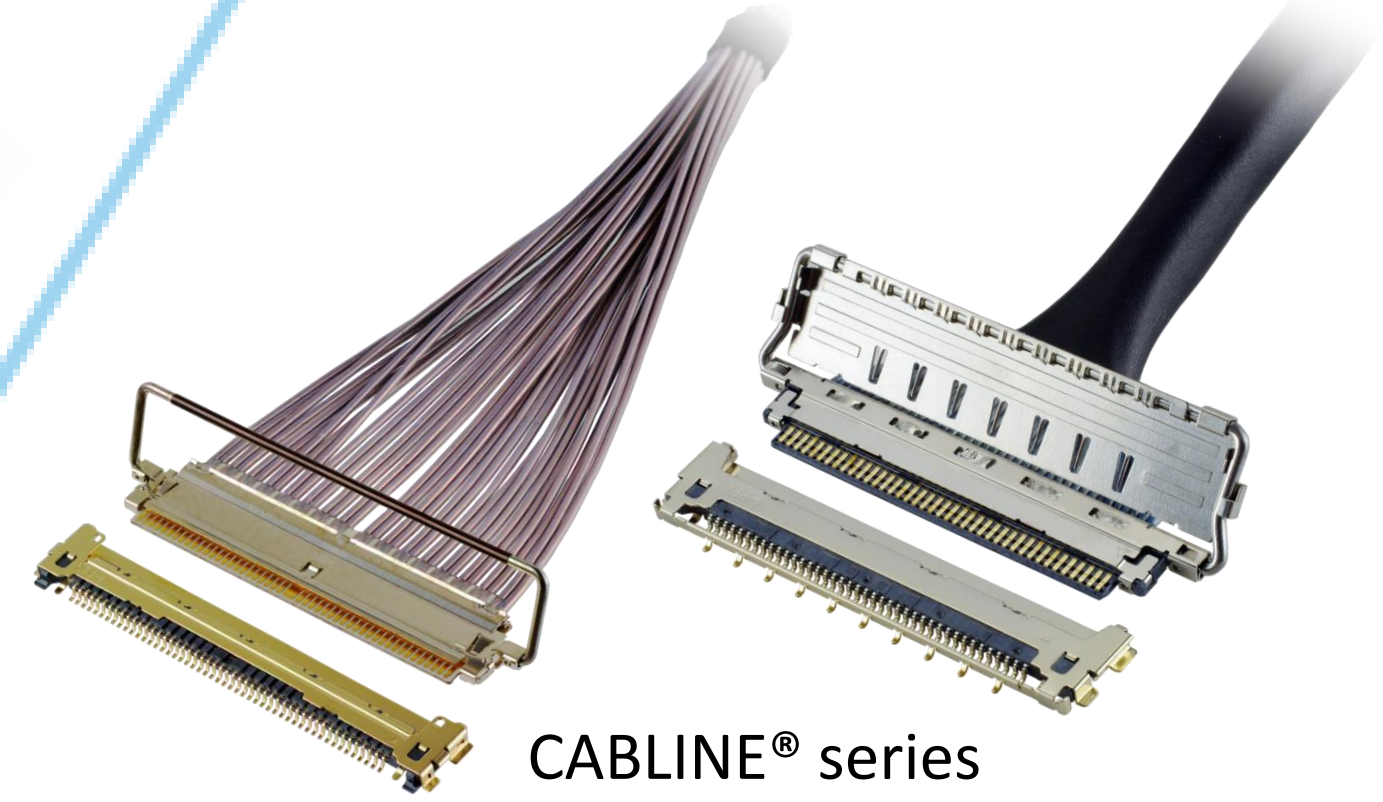
ITEMS	SPECIFICATION
APPLICABLE CABLE	MICRO-COAXIAL CABLE : AWG# 40, 42, 44 DISCRETE WIRE : AWG# 36
RATING VOLTAGE	100V AC (PER CONTACT PIN) ※THIS IS THE RATED VOLTAGE OF THE CONNECTOR. PLEASE NOTE THAT THE RATED VOLTAGE MAY VARY IN THE HARNESS DEPENDING ON THE CABLES USED.
RATING AMPERAGE (FOR CONTACT)	0.1A AC/DC [AWG#44] PER CONTACT PIN 0.24A AC/DC [AWG#42] PER CONTACT PIN 0.3A AC/DC [AWG#40] PER CONTACT PIN 0.8A AC/DC [AWG#36] PER CONTACT PIN ※TESTING BY A REAL MACHINE IS RECOMMENDED BECAUSE TEMPERATURE RISE MAY AFFECTED BY ACTUAL SITUATION.
OPERATING TEMPERATURE	233~358K(-40°C~+85°C)
OPERATING HUMIDITY	85% MAX.
CONTACT RESISTANCE	INITIAL : 275mohm MAX. (AWG#36)/ AFTER TEST : \triangle 40mohm MAX. 600mohm MAX. (AWG#40) 700mohm MAX. (AWG#42) 1080mohm MAX. (AWG#44)
GROUND SHELL RESISTANCE	INITIAL : 50mohm MAX. / AFTER TEST : \triangle 40mohm MAX.
INSULATION RESISTANCE	INITIAL : 1000Mohm MIN. / AFTER TEST : 500Mohm MIN.
DIELECTRIC WITHSTANDING VOLTAGE	AC250V 1min
DURABILITY	30 CYCLES
MATING FORCE (INITIAL / AFTER TEST)	30P : 10N MAX. 40P : 12N MAX.
UNMATING FORCE (INITIAL / AFTER TEST)	30P : 3.0N MIN. 40P : 4.0N MIN.
CABLE RETENTION FORCE	30P : 14.70N MIN. 40P : 19.60N MIN.
COPLANARITY	0.10 MAX.
PRODUCT SPECIFICATION	PRS-1421
TEST REPORT	TR-08030
PACKING STANDARD	300-657
INSTRUCTION MANUAL	HIM-09002
APPEARANCE CRITERIA No.	QLS-A***

Rev.14

Custom Connectors Available

 RF Connectors

MHF® series



CABLINA® series



Micro-Coaxial/Twinax Connectors

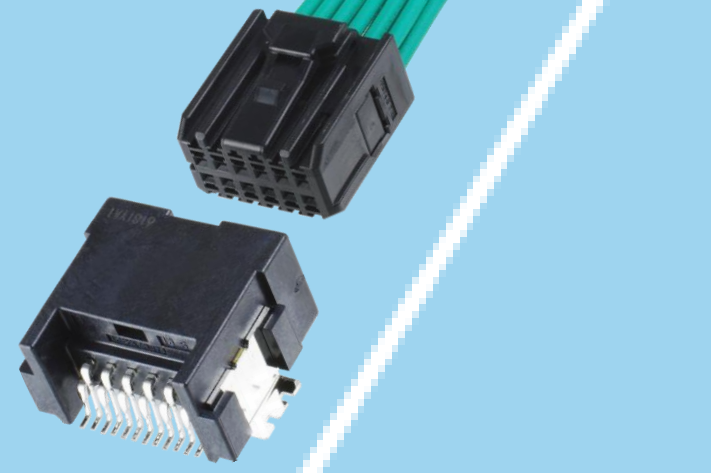


Wire-to-Board Connectors/Terminals

AP series



ISH® series



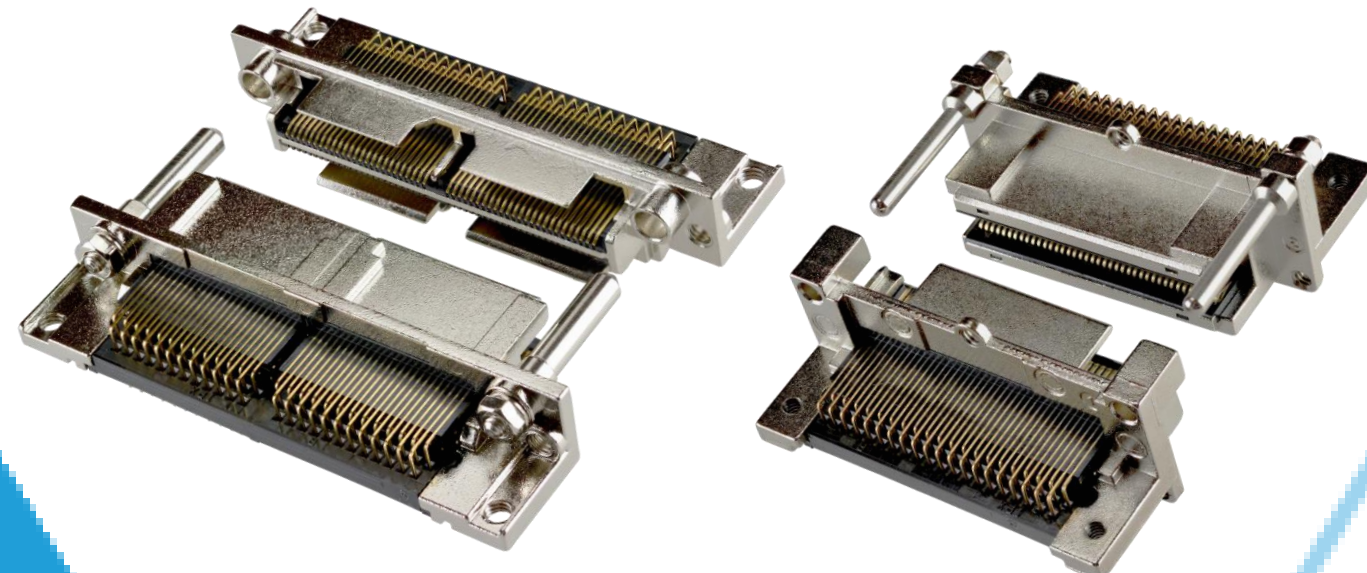
NOVASTACK® series



Board-to-Board Connectors



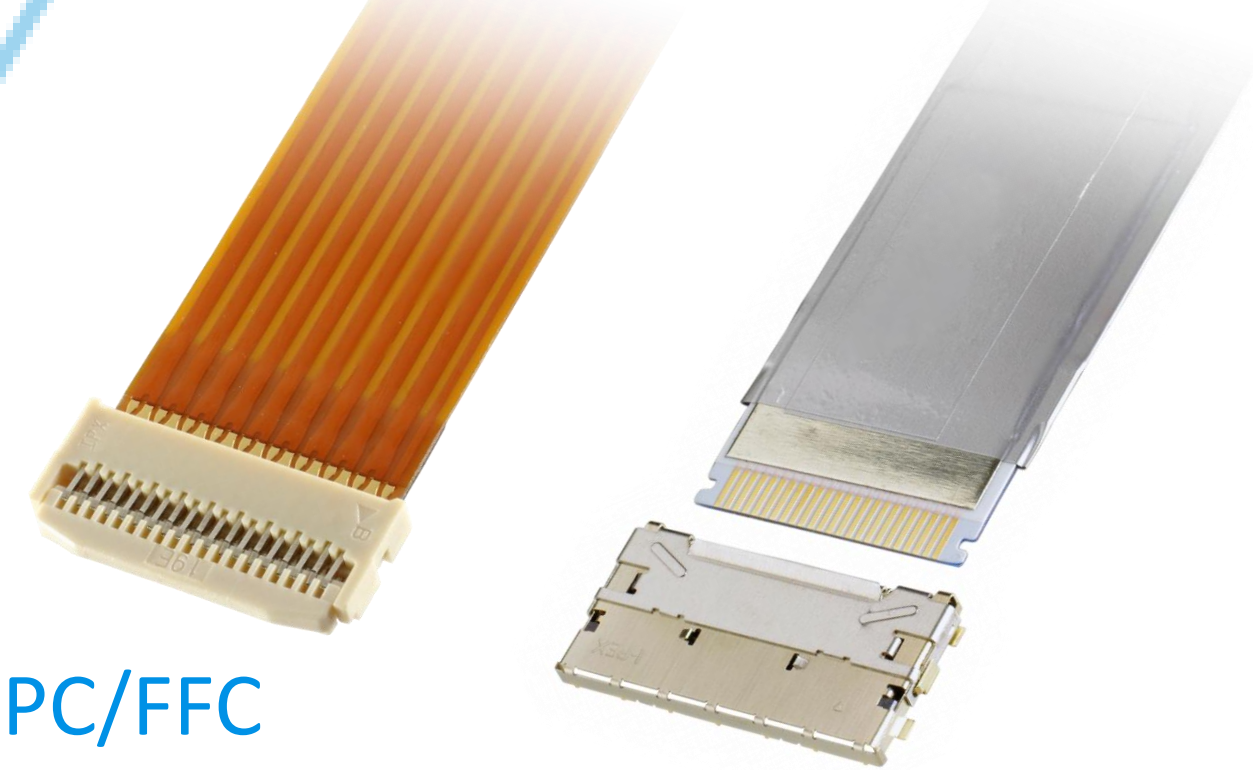
I/O Connectors



MINIDOCK™ series

MINIFLEX® series

EVAFLEX® series



FPC/FFC Connectors



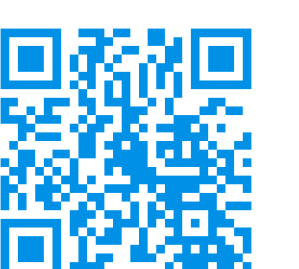
Inquiry



I-PEX, MHF, CABLINE, NOVASTACK, ISH, IARPB, MINIFLEX, EVAFLEX, MINIDOCK and ZenShield are registered trademarks of I-PEX Inc. Please note that the contents in the catalog might be changed without prior notification. I-PEX Inc. assumes no responsibility for any inaccuracies or obligation to update information on these documents. Please be sure to read and understand the latest "Precautions for Use" and "Instruction Manual" before you use our products. We shall not be responsible for any defects, damages or troubles in case you use our products without following the precautions for use. Please feel free to contact our sales representatives when you use our products for any applications that require very high reliability and safety, or that relate to human life (ex. nuclear power control, aerospace, transportation, medical equipment, safety equipment etc.).

Contact your sales representative or more detailed information.

www.i-pex.com



I-PEX

© I-PEX Inc. 2025
All rights reserved