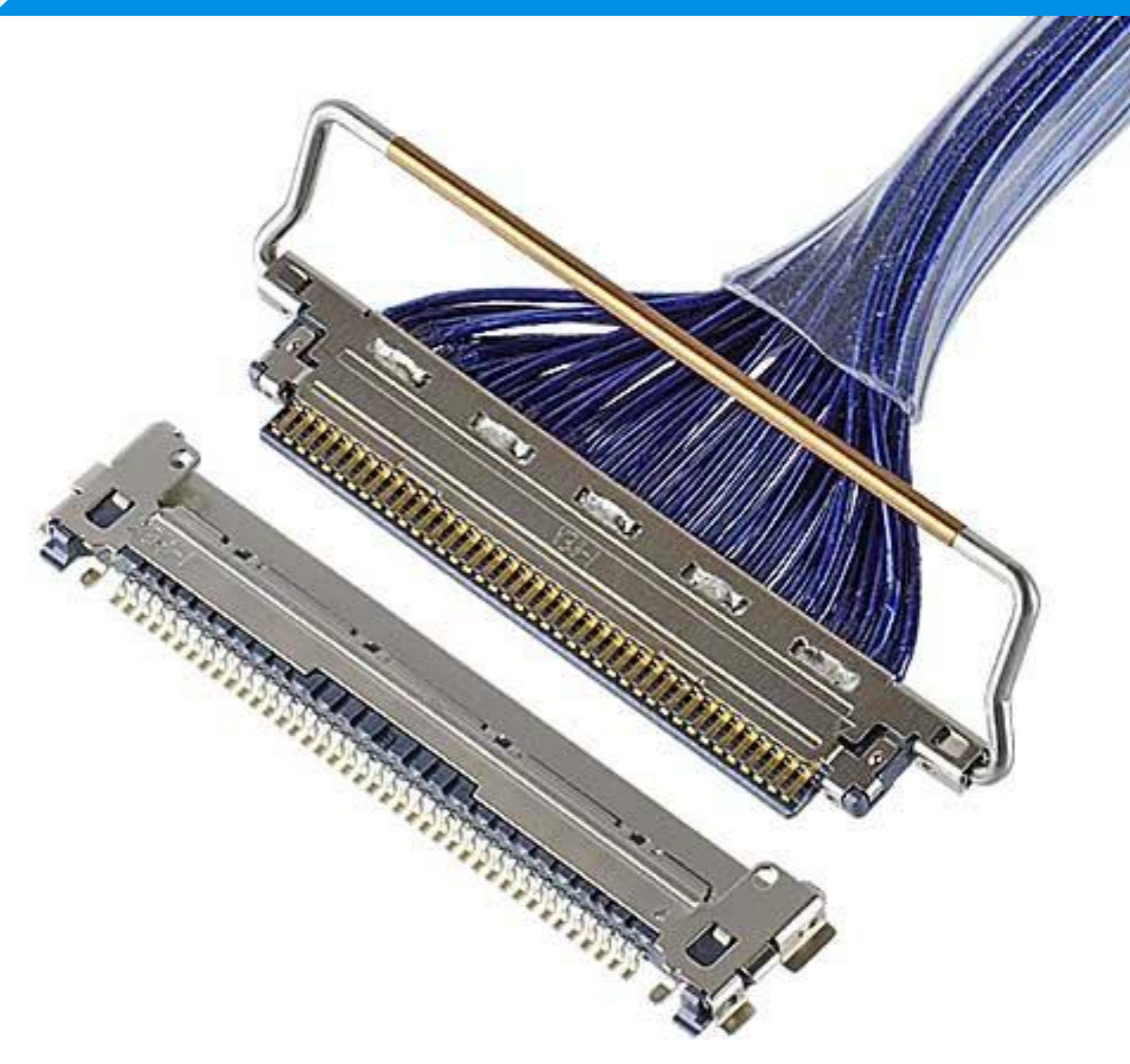


CABLINE® -CA

高速數據傳輸 (32 Gbps/Lane)，機械鎖扣，帶屏蔽和多點接地設計，0.4 mm 間距,水平對插款式的極細同軸線連接器

*想獲得更高的傳輸速率 (64 Gbps PAM4)，歡迎查看可以配合 CABLINE-CA母座 (20525-050E-02)使用的CABLINE-CAP線束解決方案。



Product Specifications:

Mating type	Horizontal	
Board Pitch	0.4 mm	
Wiping Length	0.54 mm	
Mated Size	Height	1.10 mm max
	Width	6.95 + (0.4 x pin count) mm
	Depth	5.73 mm
Pin Counts	Range	Up to 60
	Available	10, 12, 20, 30, 40, 50, 60

Applicable Cable Size:

Maximum O.D.	0.4 mm
Micro-Coaxial for Signal	45 ohm: AWG 38 or smaller 50 ohm: AWG 40 or smaller
Twinaxial	AWG 40
Discrete	AWG 34 or smaller

Applicable Standards (Reference Only):

32 Gbps/ Lane, USB4 Gen4 (40 Gbps/ Lane PAM3)
Display Port UHBR20 (20 Gbps/Lane)

*若有規格外 Pin數需求,請與當地負責業務窗口聯繫。

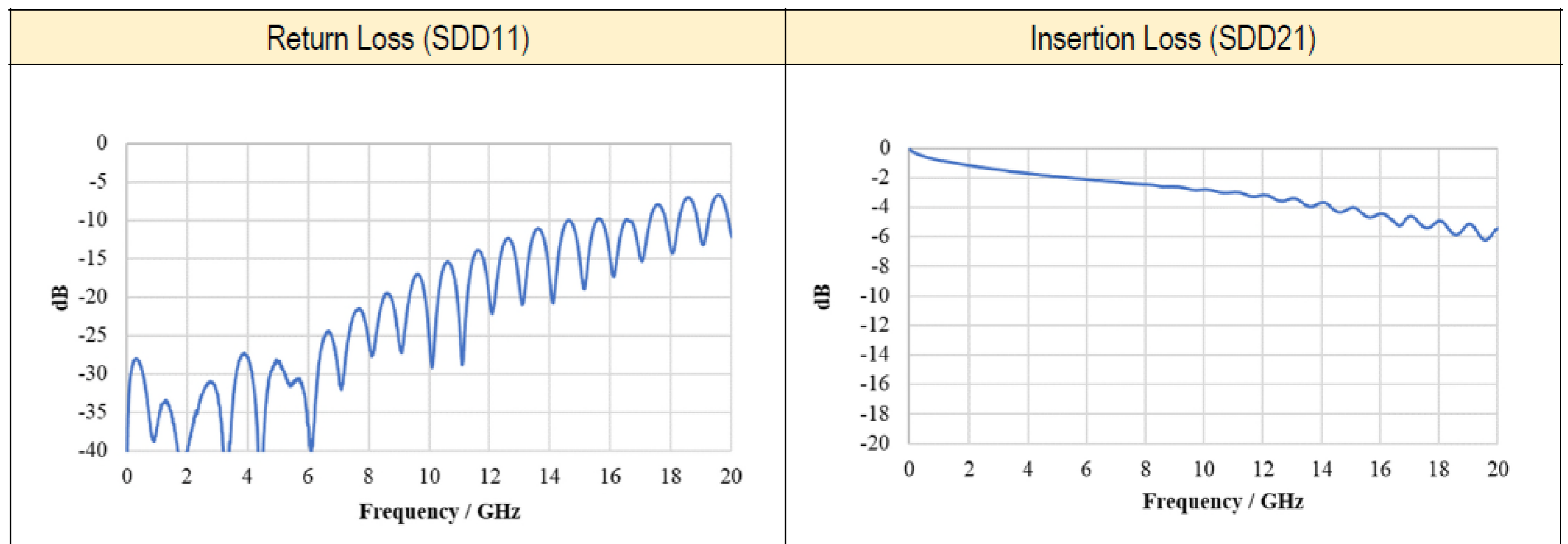
▶ 高速率傳輸, 32 Gbps/Lane應用的理想之選

Measurement results

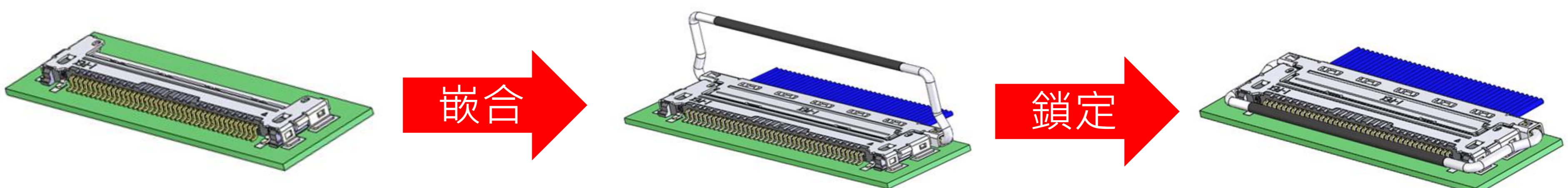
Connector: CABLINE-CA 40 pin

Cable: Micro-coaxial cable
AWG 40, 45ohm , Length : 100 mm

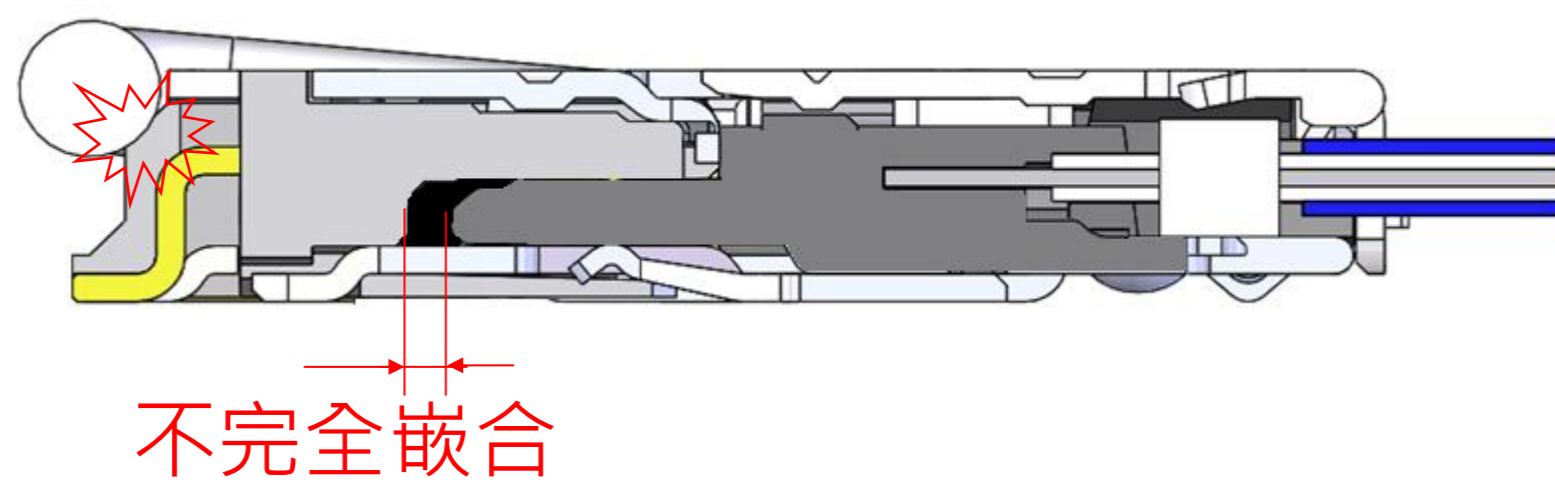
Pin Assignment: GSSGSSG



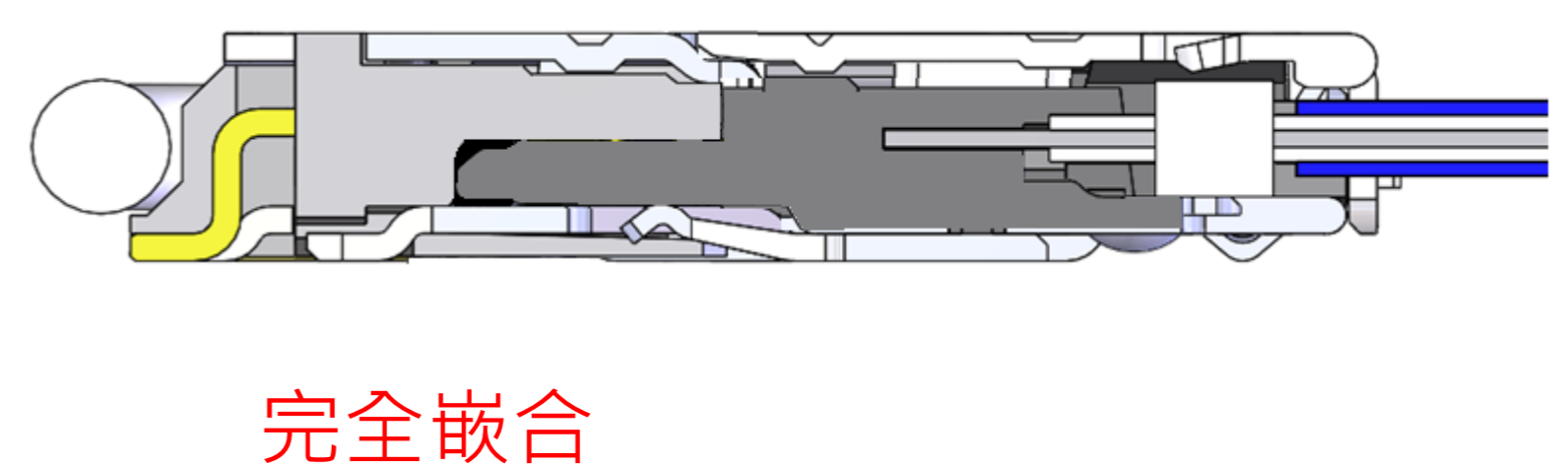
▶ 機械鎖扣防止連接器不完全嵌合及脫落/未嵌合



干涉



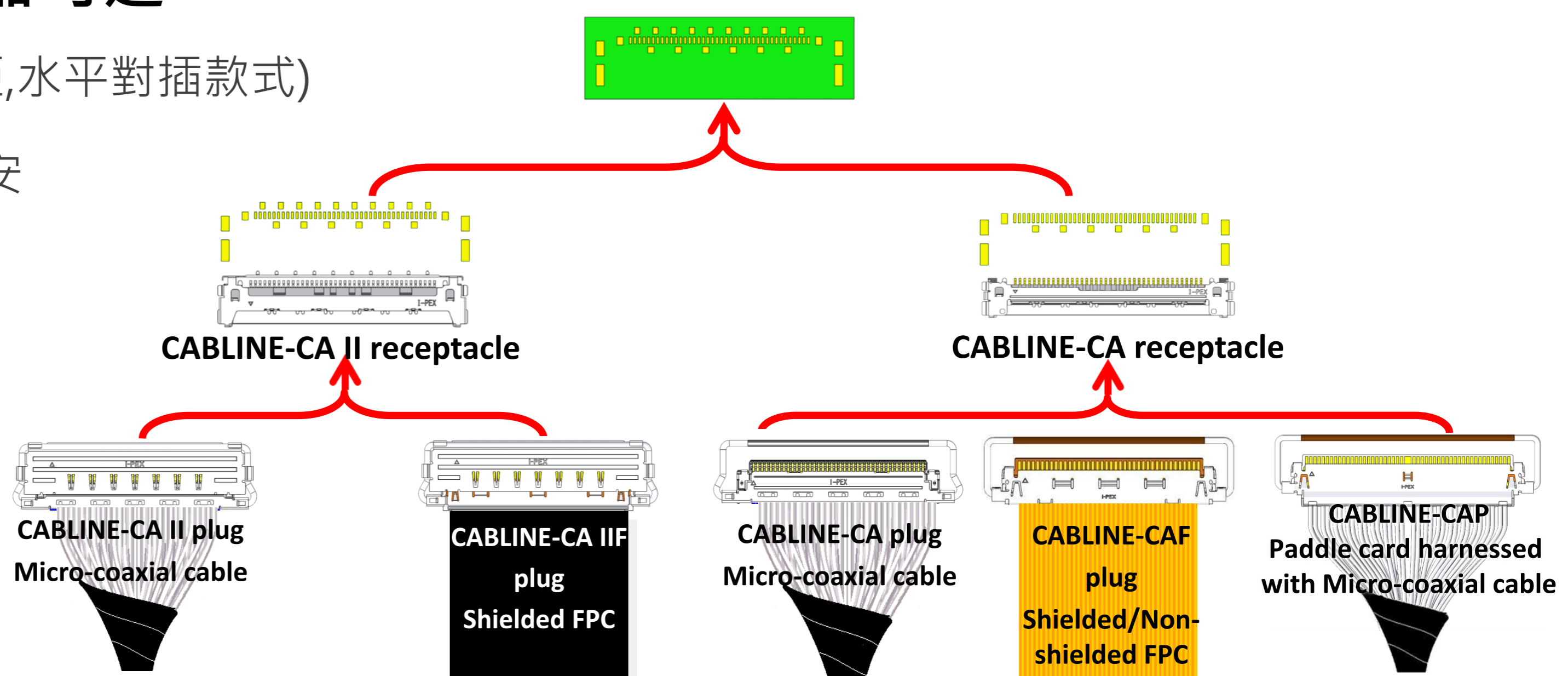
只有當公座完全和母座嵌合時，機械鎖扣才能鎖上。



▶ CABLINE®-CA 系列多款連接器可選

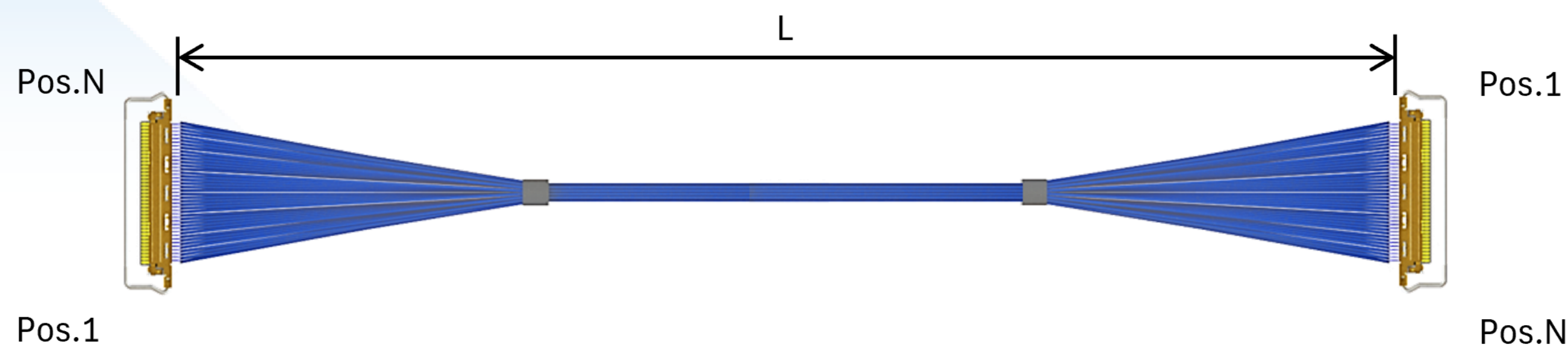
CABLINE-CA 系列 (0.4 mm 間距,水平對插款式)

CABLINE-CA 和 CA II 的母座可安裝在相同布局的PCB 上。

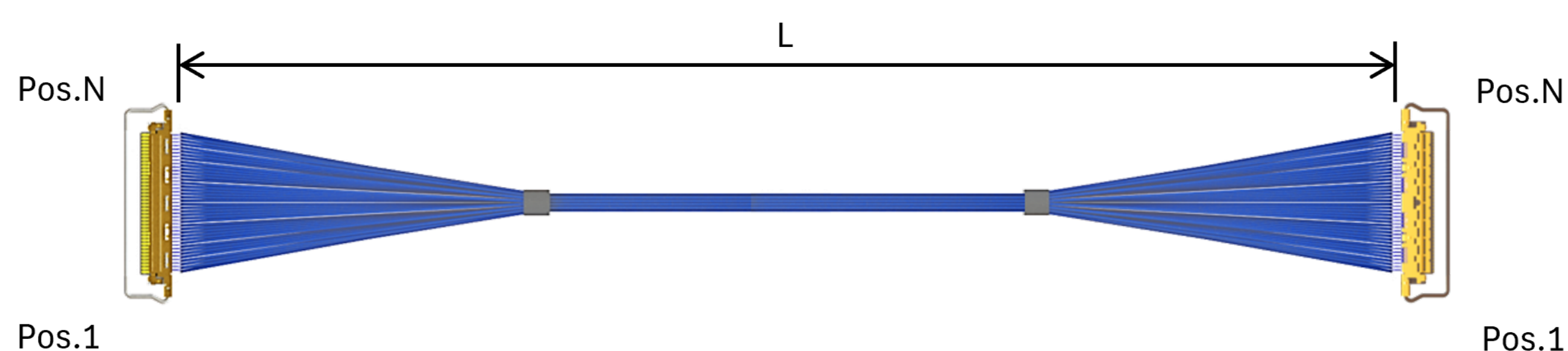


CABLINE[®] -CA standard harness

- ◆ Please click the part number to get its 2D drawing.
- ◆ Please be advised that if it becomes necessary to change the harness specifications, the part number will also need to be updated. The following part number is valid only when used with the harness specifications shown below.
- ◆ Please contact us via [Inquiry form](#) for other harness specifications.



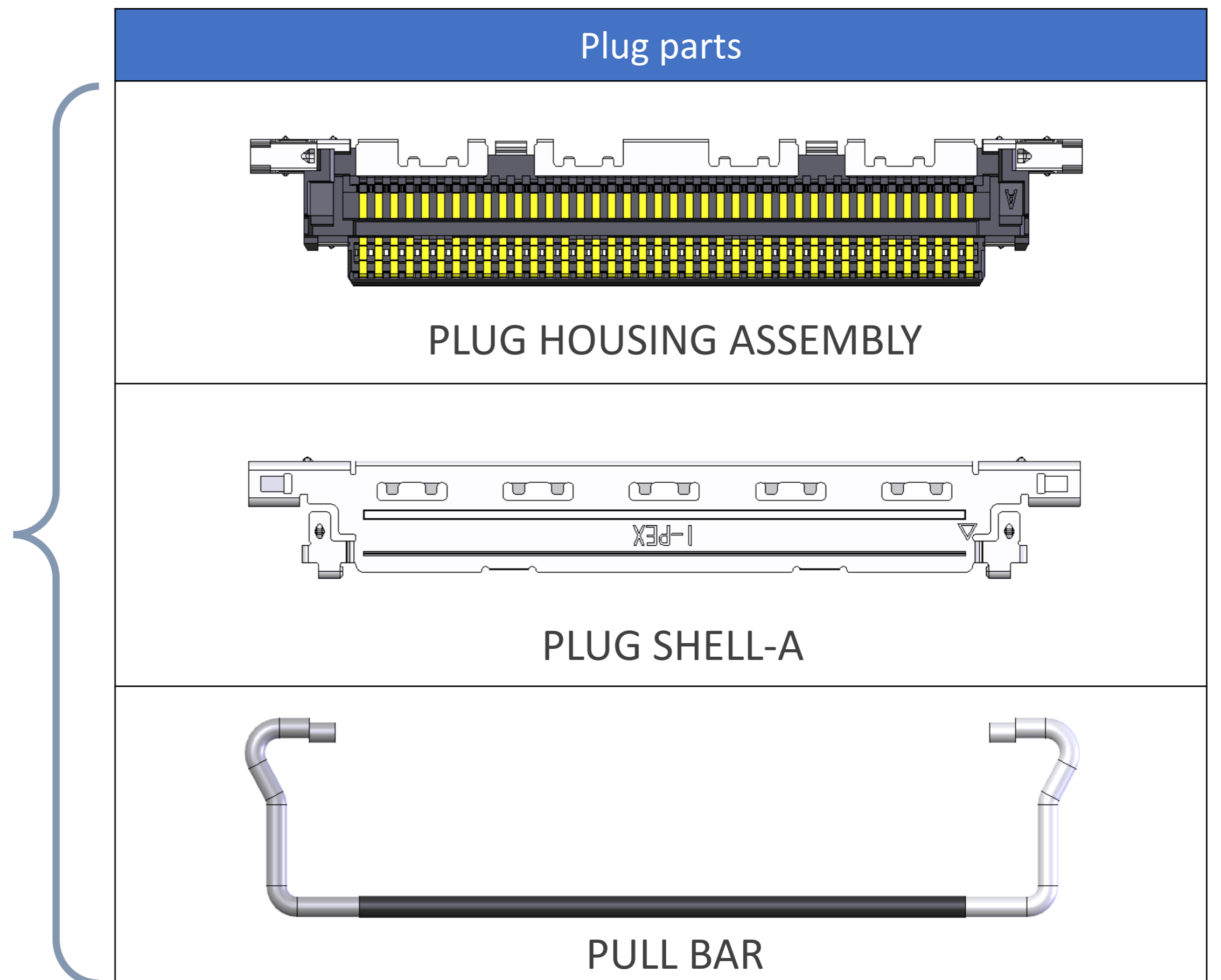
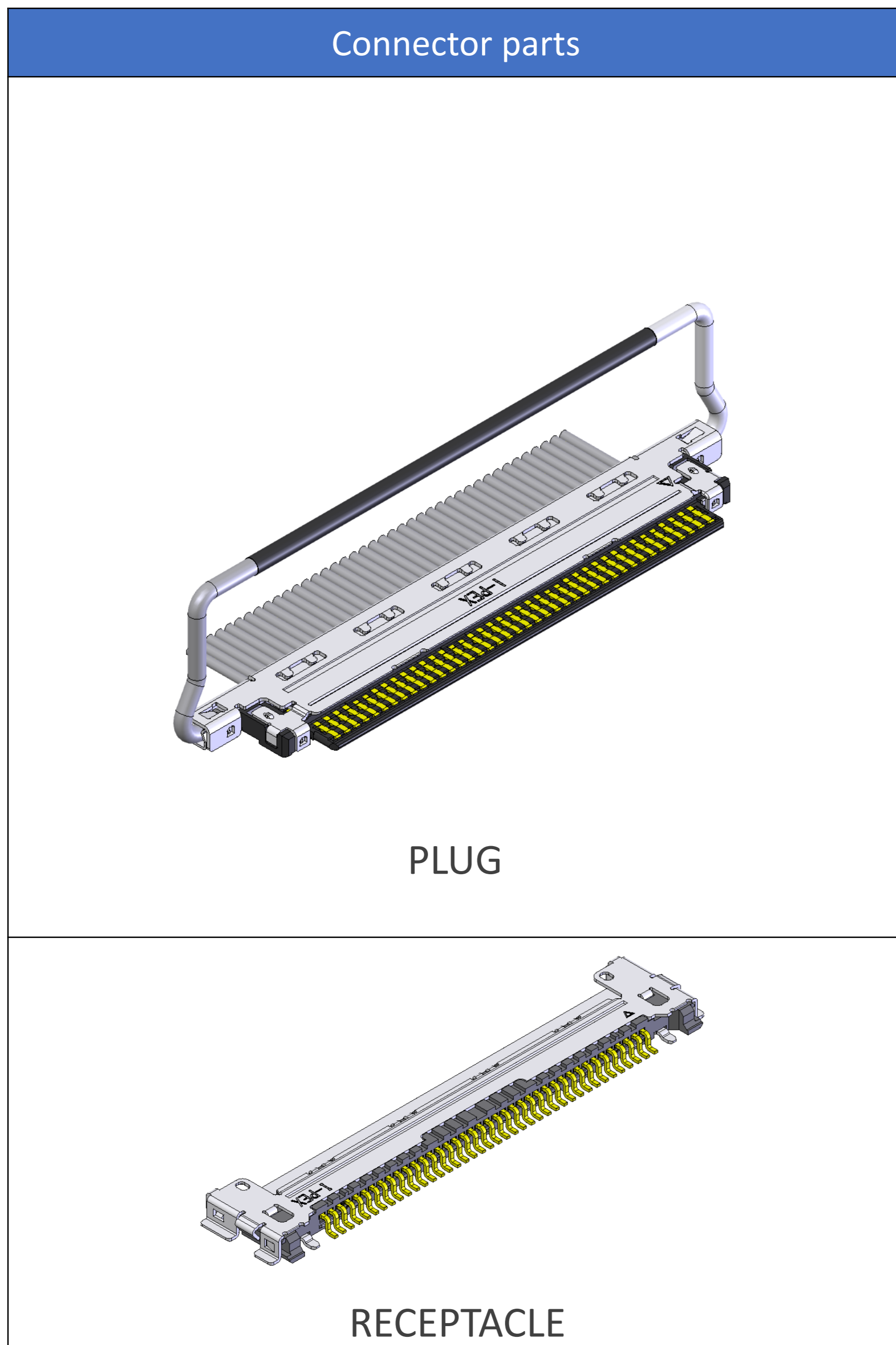
Part Number Description	Part Number (Link to Drawing)	Sample available
CABLINE-CA harness 10pin micro-coaxial 40AWG L=200mm 1-N	82434-100B-02-D	Buy from Digikey
CABLINE-CA harness 12pin micro-coaxial 40AWG L=200mm 1-N	82649-100B-02-D	Buy from Digikey
CABLINE-CA harness 20pin micro-coaxial 40AWG L=200mm 1-N	81786-100B-02-D	Buy from Digikey
CABLINE-CA harness 30pin micro-coaxial 40AWG L=100mm 1-N	82650-100B-02-D	Buy from Digikey
CABLINE-CA harness 30pin micro-coaxial 40AWG L=200mm 1-N	81423-100B-02-D	Buy from Digikey
CABLINE-CA harness 30pin micro-coaxial 40AWG L=300mm 1-N	82651-100B-02-D	Buy from Digikey
CABLINE-CA harness 40pin micro-coaxial 40AWG L=100mm 1-N	82652-100B-02-D	Buy from Digikey
CABLINE-CA harness 40pin micro-coaxial 40AWG L=200mm 1-N	81424-100B-02-D	Buy from Digikey
CABLINE-CA harness 40pin micro-coaxial 40AWG L=300mm 1-N	82653-100B-02-D	Buy from Digikey
CABLINE-CA harness 50pin micro-coaxial 40AWG L=200mm 1-N	82145-100B-02-D	Buy from Digikey
CABLINE-CA harness 60pin micro-coaxial 40AWG L=200mm 1-N	82146-100B-02-D	Buy from Digikey



Part Number Description	Part Number (Link to Drawing)	Sample available
CABLINE-CA harness 30pin micro-coaxial 40AWG L=100mm 1-1	82662-100B-01-D	Contact us
CABLINE-CA harness 30pin micro-coaxial 40AWG L=200mm 1-1	82663-100B-01-D	Contact us
CABLINE-CA harness 30pin micro-coaxial 40AWG L=300mm 1-1	82664-100B-01-D	Contact us
CABLINE-CA harness 40pin micro-coaxial 40AWG L=100mm 1-1	82665-100B-01-D	Contact us
CABLINE-CA harness 40pin micro-coaxial 40AWG L=200mm 1-1	82666-100B-01-D	Contact us
CABLINE-CA harness 40pin micro-coaxial 40AWG L=300mm 1-1	82667-100B-01-D	Contact us

Component Parts Details

Component Parts

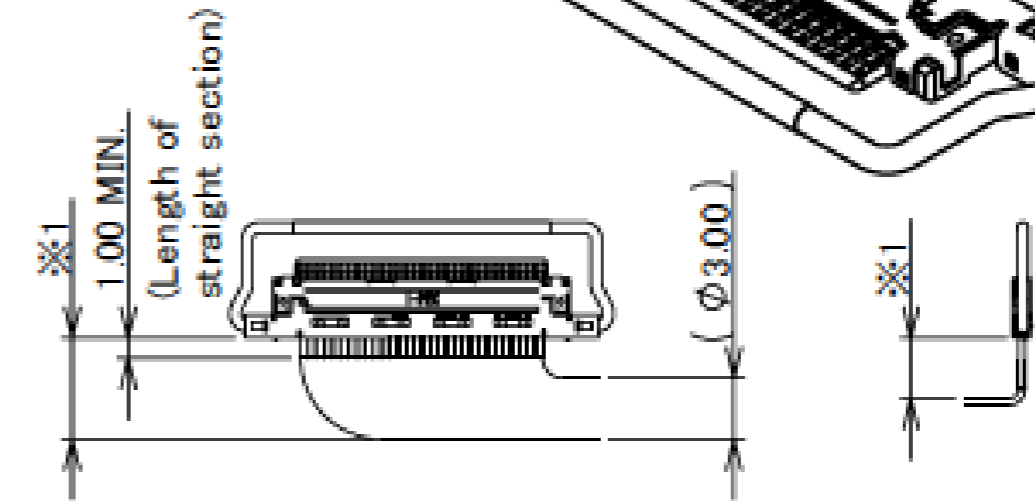
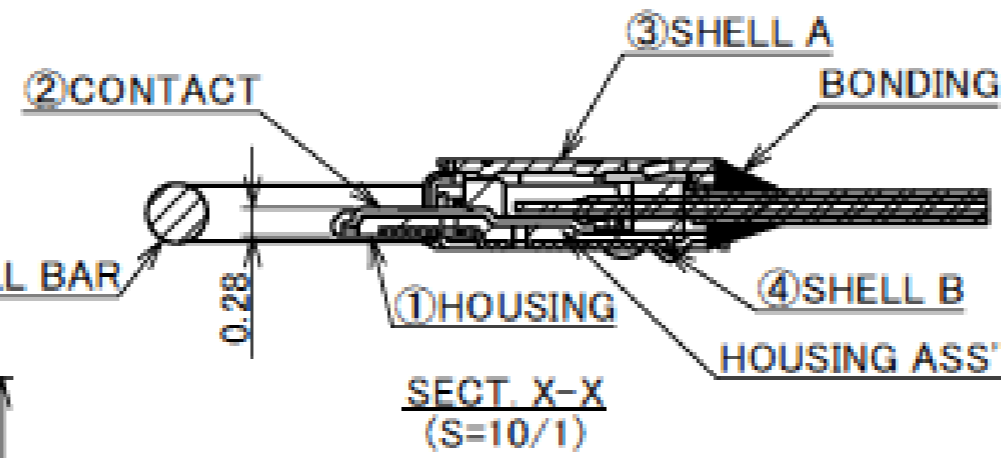
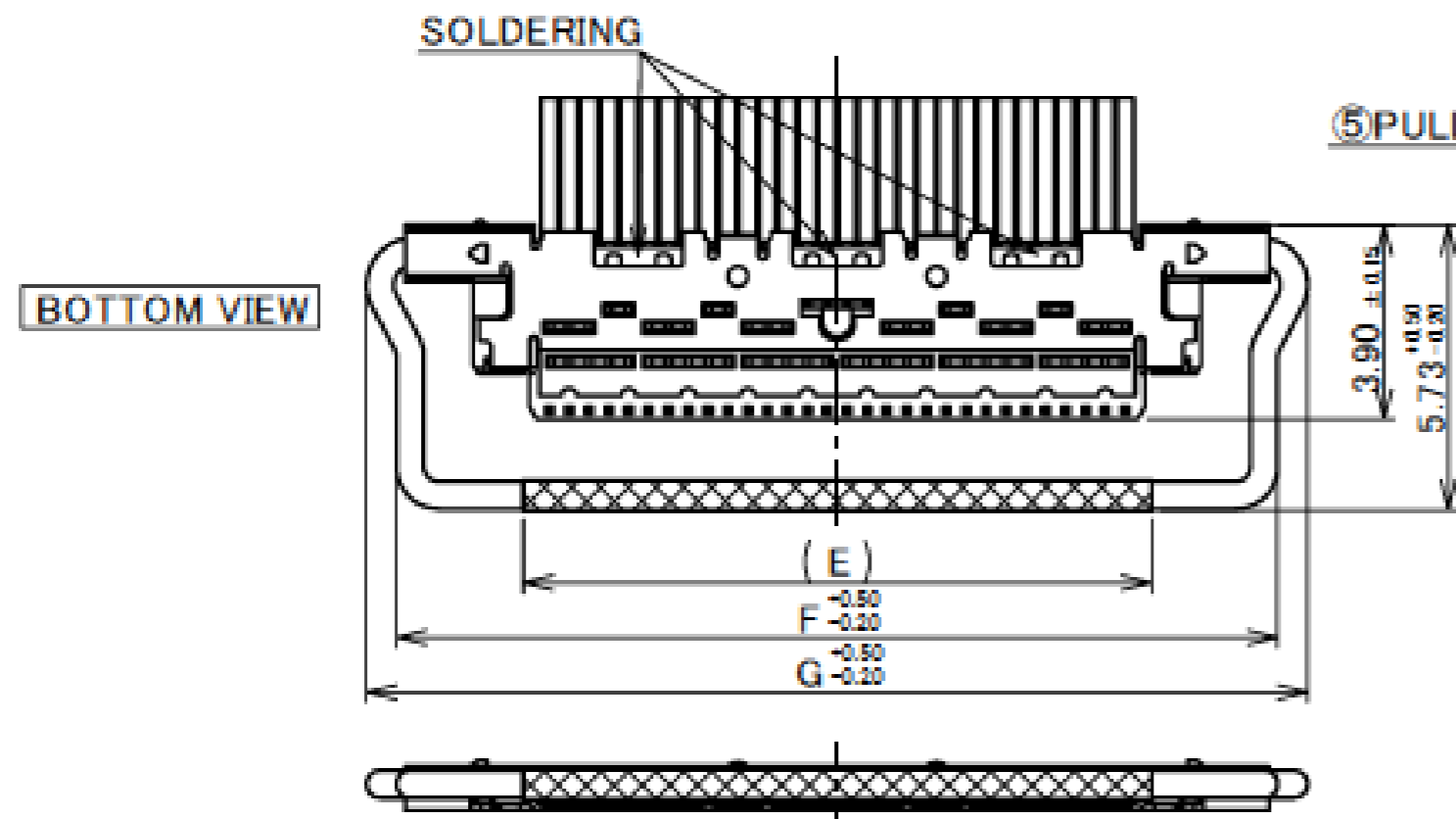
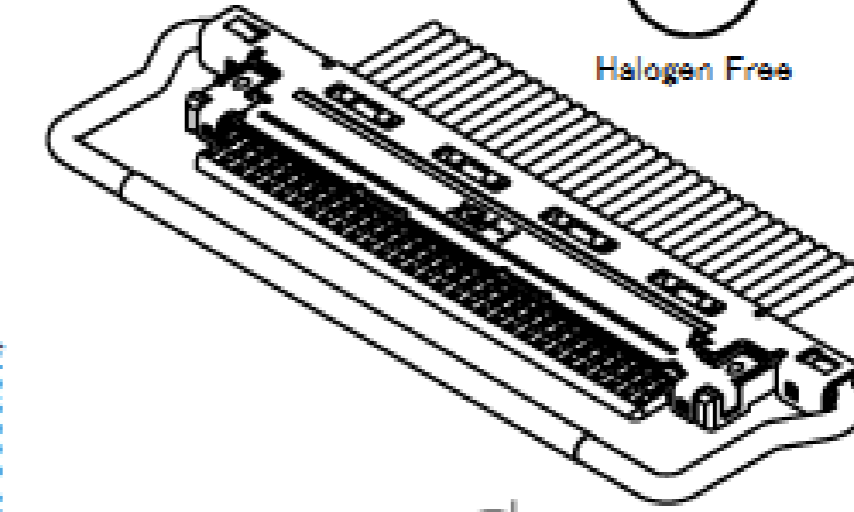


Plug for Cable Assembly

Recommended P/N		20633-2**T-01S(12~60P)						20633-310T-01S(10P)	
PART NO.	POS.	A	B	C	D	E	F	G	
20633-#10T-01S	10	3.60	4.40	6.66	9.40	4.65	9.75	10.95	
20633-#12T-01S	12	4.40	5.20	7.46	10.20	5.45	10.55	11.75	
20633-#20T-01S	20	7.60	8.40	10.66	13.40	8.65	13.75	14.95	
20633-#30T-01S	30	11.60	12.40	14.66	17.40	12.65	17.75	18.95	
20633-#40T-01S	40	15.60	16.40	18.66	21.40	16.65	21.75	22.95	
20633-#50T-01S	50	19.60	20.40	22.66	25.40	20.65	25.75	26.95	
20633-#60T-01S	60	23.60	24.40	26.66	29.40	24.65	29.75	30.95	

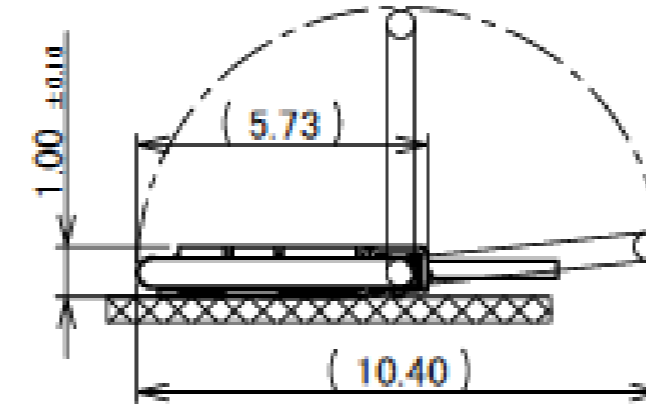
P/N : 20633-##T-0#S
 1 : WITH PULL BAR
 2 : WITHOUT PULL BAR
 Pos.
 SEE TABLE.1

WITH PULL BAR



REFERENCE CABLE BENDING DIMENSIONS

※1: THE BEND DIMENSIONS MAY VARY BASED ON THE SIZE AND QUANTITY OF CABLES. PLEASE CONFIRM THE MINIMUM BENDING RADIUS WITH I-PEX OR THE HARNESS MANUFACTURER.



PULL BAR MOVEMENTS

PART NO.

CABLE ASS'Y PART NO.	HOUSING ASS'Y PART NO.	SHELL A PART NO.	PULL BAR PART NO.
20633-2**T-01S	20634-1**T-02	2764-0**1-002	2766-0**1
20633-3**T-01S	20634-2**T-02	2764-0**1-003	

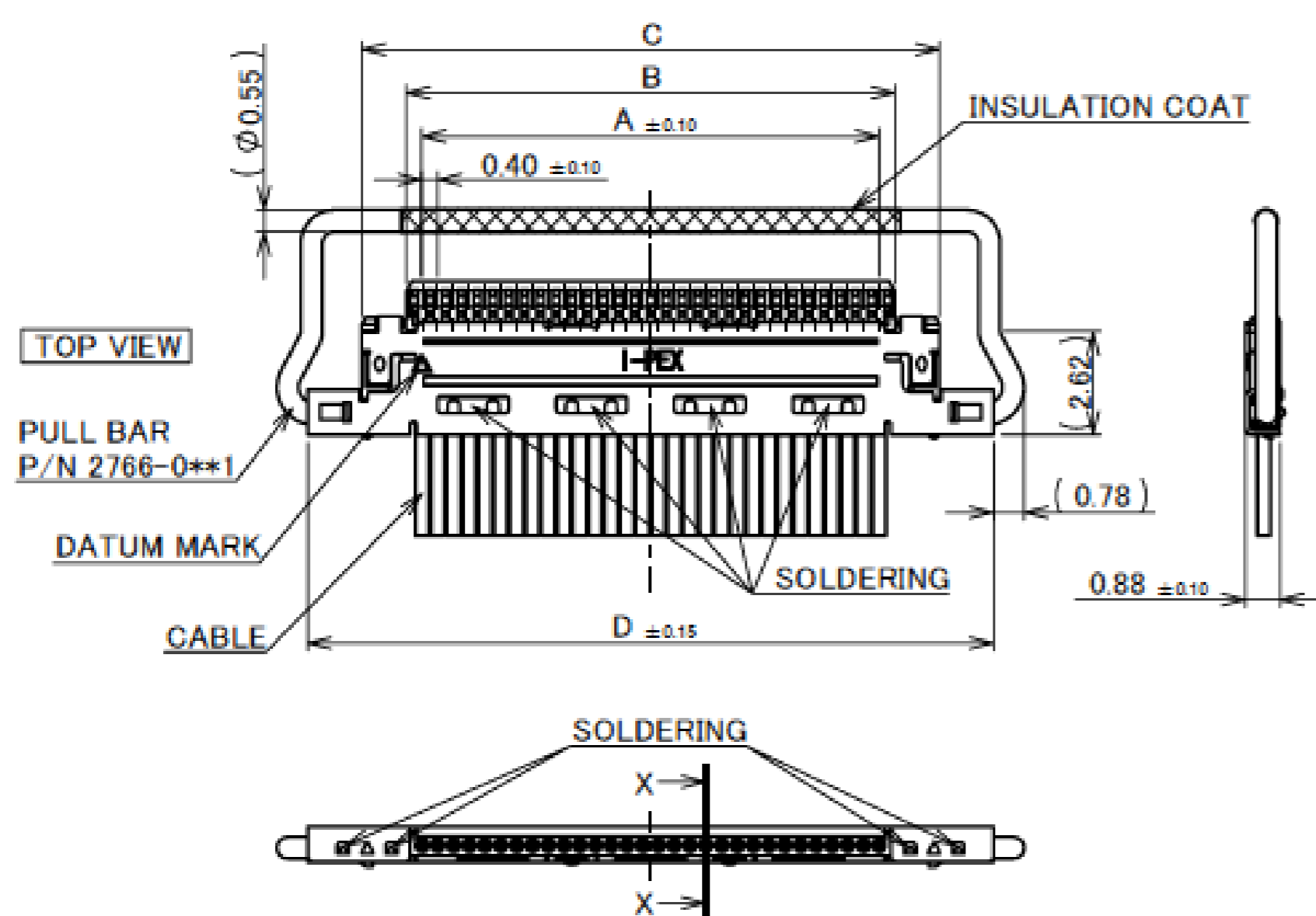


TABLE.1

PART NO.	CONTACT FINISH	SHELL A FINISH	SHELL B FINISH
20633-2**T-0#S	CONTACT AREA Au 0.1 μm MIN. OVER Ni 1.00 μm MIN. SOLDERING AREA Au 0.05 μm MIN. OVER Ni 1.00 μm MIN.	TOP SIDE Au 0.03 μm MIN. OVER Ni 1.00 μm MIN. BOTTOM SIDE Ni 1.00 μm MIN. (THERE IS THE POSSIBILITY THAT Au ATTACHES RANDOMLY)	TOP SIDE Ni 1.00 μm MIN. (THERE IS THE POSSIBILITY THAT Au ATTACHES RANDOMLY) BOTTOM SIDE Au 0.02 μm MIN. OVER Ni 1.00 μm MIN.
20633-3**T-0#S	CONTACT AREA Au 0.03 μm MIN. OVER Ni 1.00 μm MIN. SOLDERING AREA Au 0.03 μm MIN. OVER Ni 1.00 μm MIN.	PARTIAL Au 0.003 μm MIN. OVER Ni 1.00 μm MIN.	PARTIAL Au 0.003 μm MIN. OVER Ni 1.00 μm MIN.

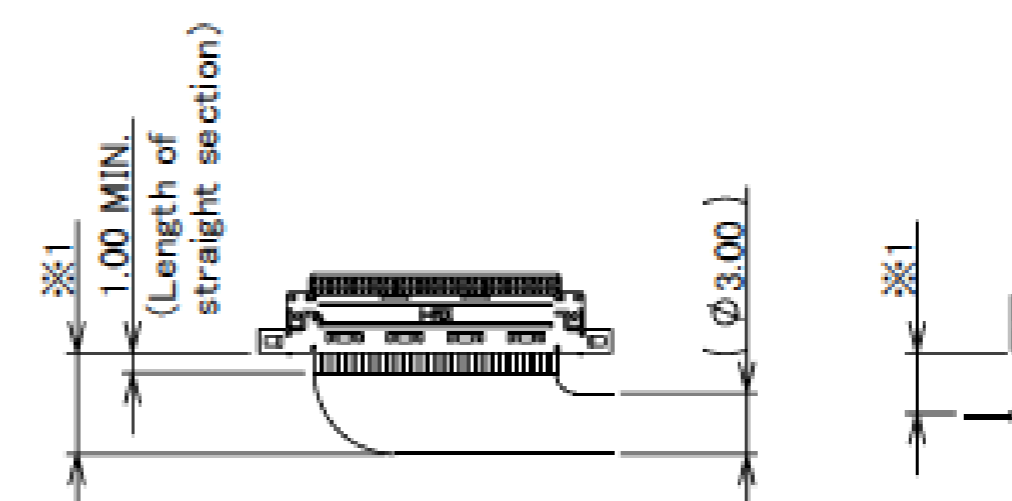
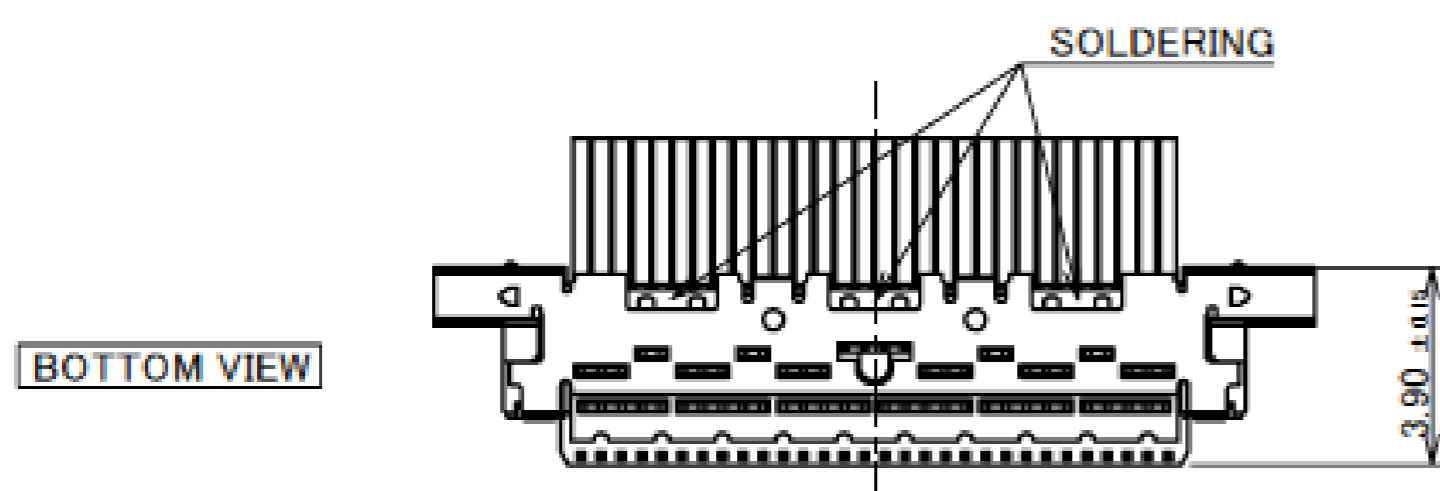
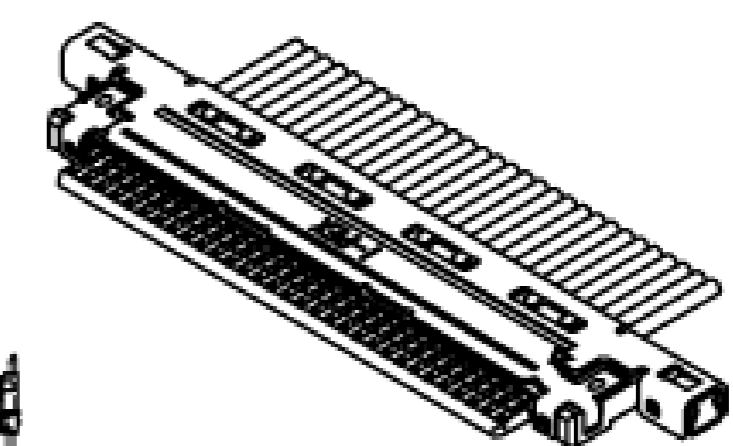
NO.	DISCRIPTION	MATERIAL	FINISH, REMARKS
5	PULL BAR	SUS	
4	SHELL B	PHOSPHOR BRONZE	SEE ABOVE TABLE.1
3	SHELL A	PHOSPHOR BRONZE	SEE ABOVE TABLE.1
2	CONTACT	PHOSPHOR BRONZE	SEE ABOVE TABLE.1
1	HOUSING	LCP	UL94V-0, BLACK

Rev.15

Recommended P/N		20633-2**T-01S(12~60P)				20633-310T-01S(10P)	
PART NO.	POS.	A	B	C	D		
20633-#10T-02S	10	3.60	4.40	6.66	9.40		
20633-#12T-02S	12	4.40	5.20	7.46	10.20		
20633-#20T-02S	20	7.60	8.40	10.66	13.40		
20633-#30T-02S	30	11.60	12.40	14.66	17.40		
20633-#40T-02S	40	15.60	16.40	18.66	21.40		
20633-#50T-02S	50	19.60	20.40	22.66	25.40		
20633-#60T-02S	60	23.60	24.40	26.66	29.40		

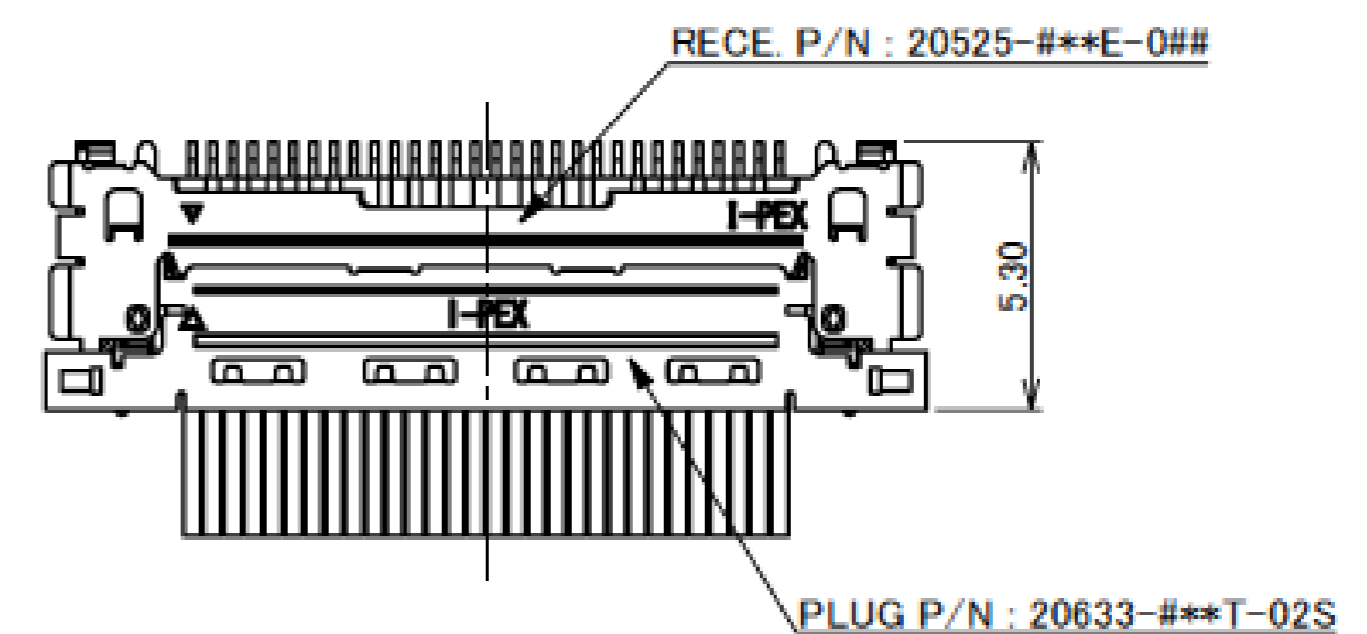
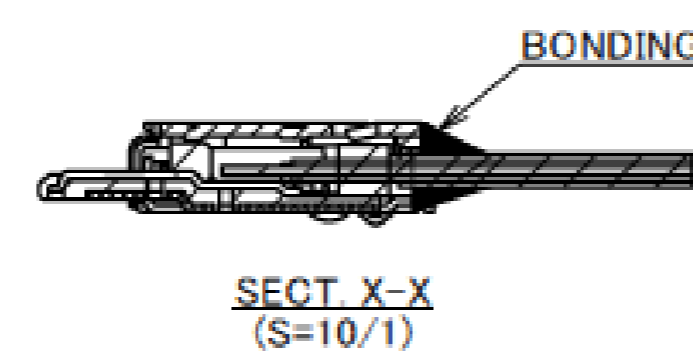
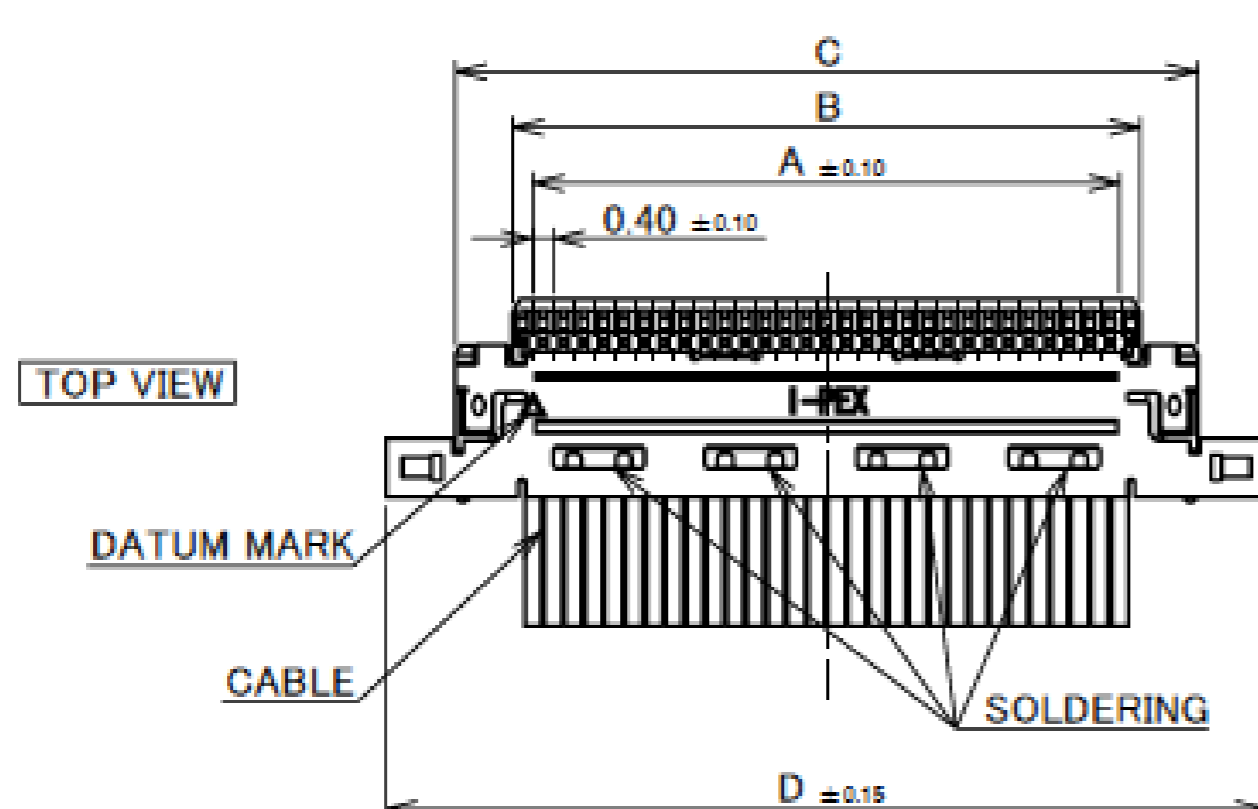
P/N : 20633-##T-0#S
 1 : WITH PULL BAR
 2 : WITHOUT PULL BAR
 Pos.
 SEE TABLE.1 (SHEET1/5)

WITHOUT PULL BAR



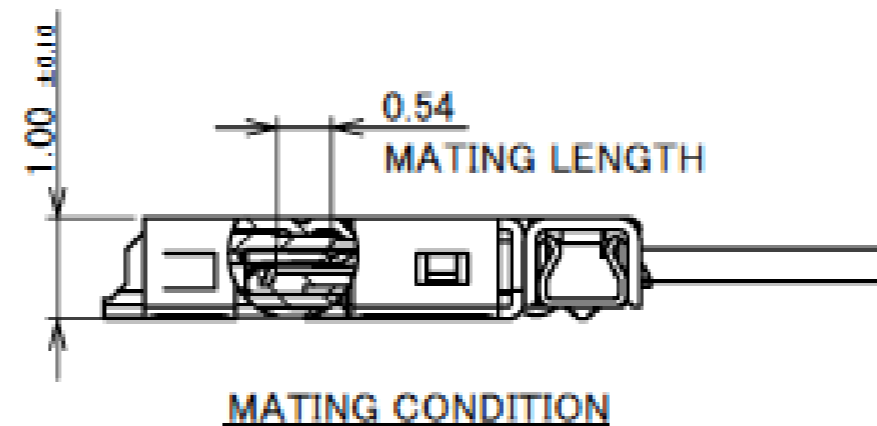
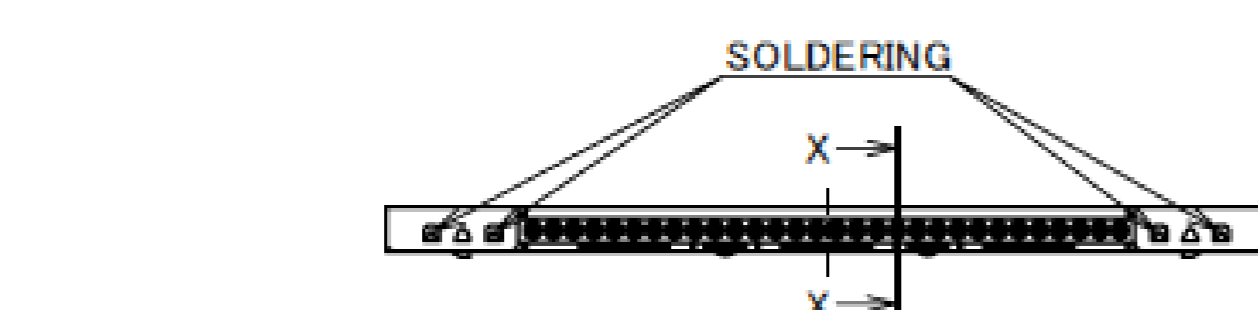
REFERENCE CABLE BENDING DIMENSIONS

※1: THE BEND DIMENSIONS MAY VARY BASED ON THE SIZE AND QUANTITY OF CABLES. PLEASE CONFIRM THE MINIMUM BENDING RADIUS WITH I-PEX OR THE HARNESS MANUFACTURER.



PART NO.

CABLE ASS'Y PART NO.	HOUSING ASS'Y PART NO.	SHELL-A PART NO.	PULL BAR PART NO.
20633-2**T-02S	20634-1**T-02	2764-0**1-002	
20633-3**T-02S	20634-2**T-02	2764-0**1-003	

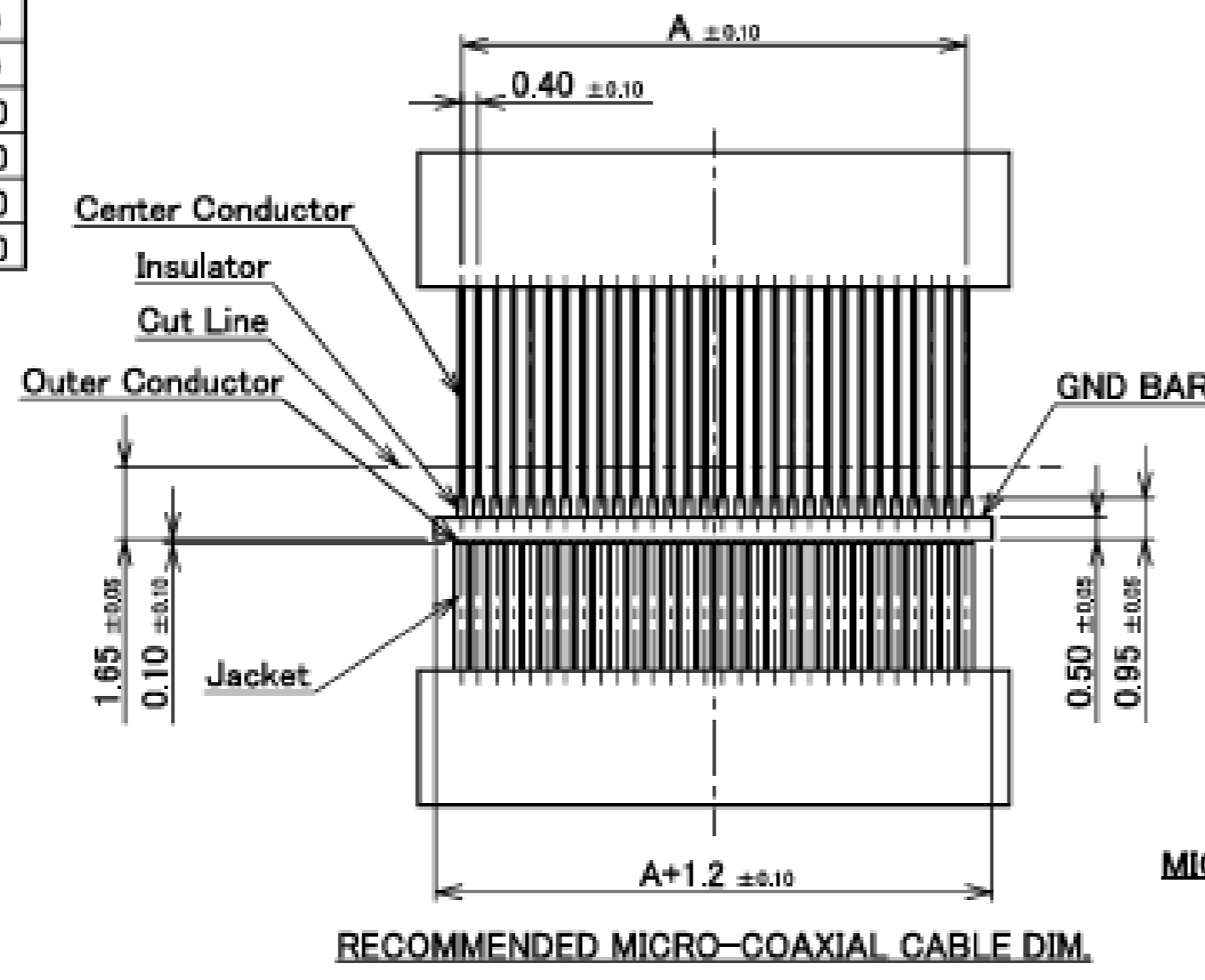


MATING CONDITION

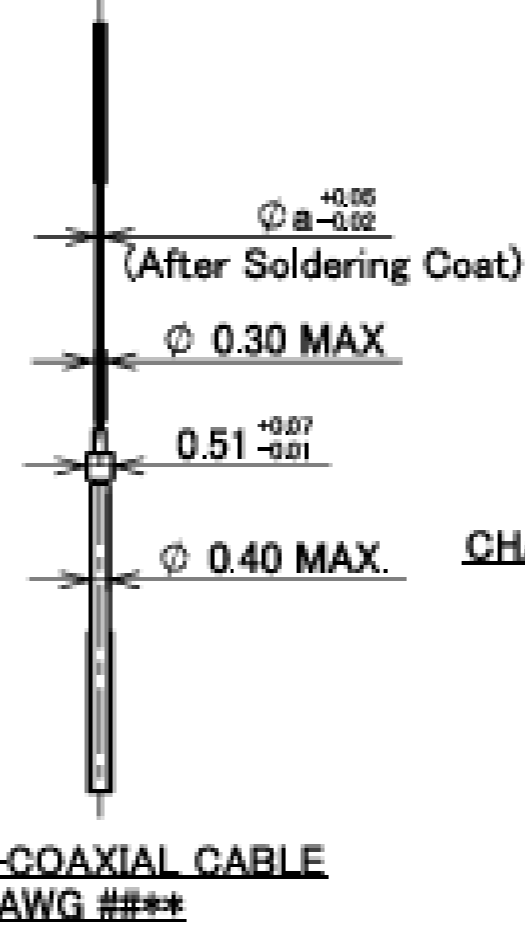
Rev.15

Plug for Cable Assembly

PART NO.	POS.	A
20633-#10T-0#S	10	3.60
20633-#12T-0#S	12	4.40
20633-#20T-0#S	20	7.60
20633-#30T-0#S	30	11.60
20633-#40T-0#S	40	15.60
20633-#50T-0#S	50	19.60
20633-#60T-0#S	60	23.60



RECOMMENDED MICRO-COAXIAL CABLE DIM.



MICRO-COAXIAL CABLE
AWG #**

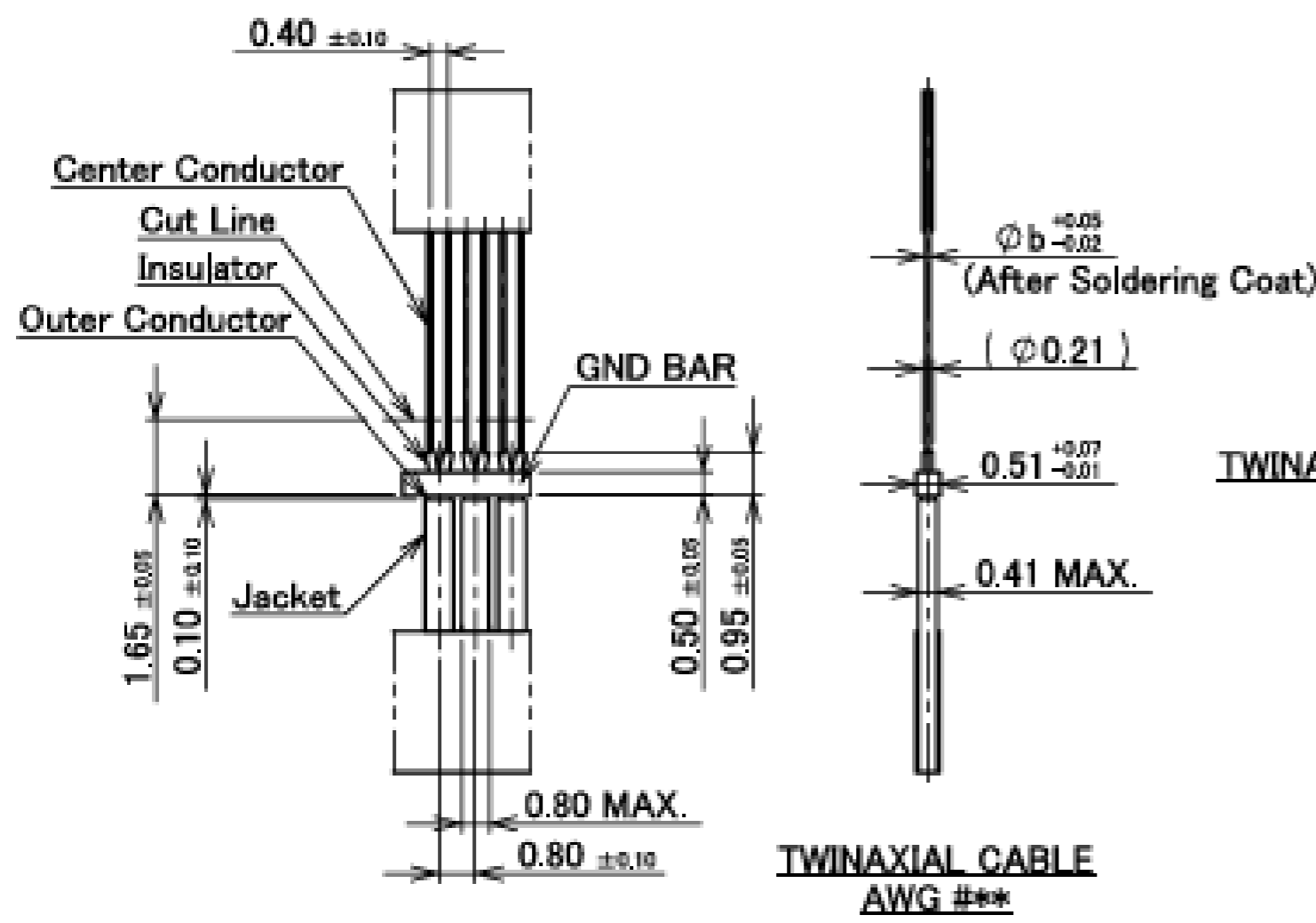
CHARACTERISTIC IMPEDANCE MATCHING MICRO-COAXIAL CABLE

	a
#38	0.12
#40	0.09
#42	0.075
#44	0.063

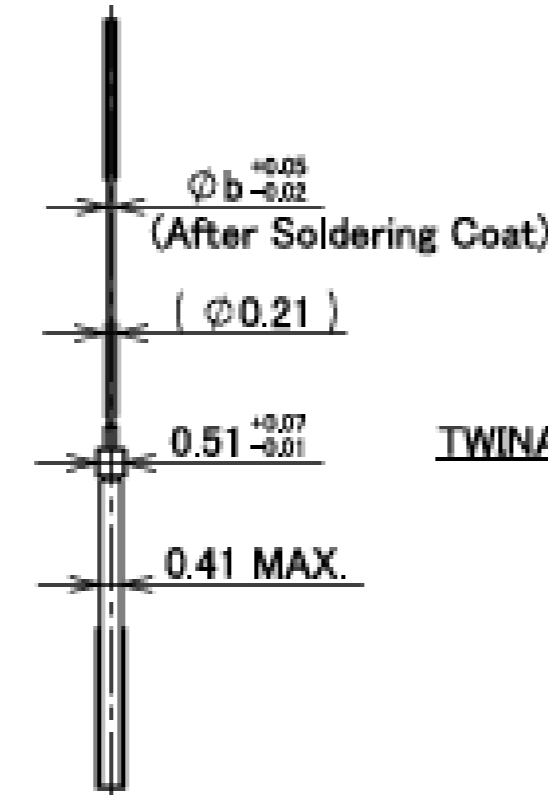
CHARACTERISTIC IMPEDANCE UN-MATCHING MICRO-COAXIAL CABLE

	a
#36	0.15

MICRO-COAXIAL CABLE #36 : NOT RECOMMENDED FOR HIGH SPEED SIGNAL TRANSFER

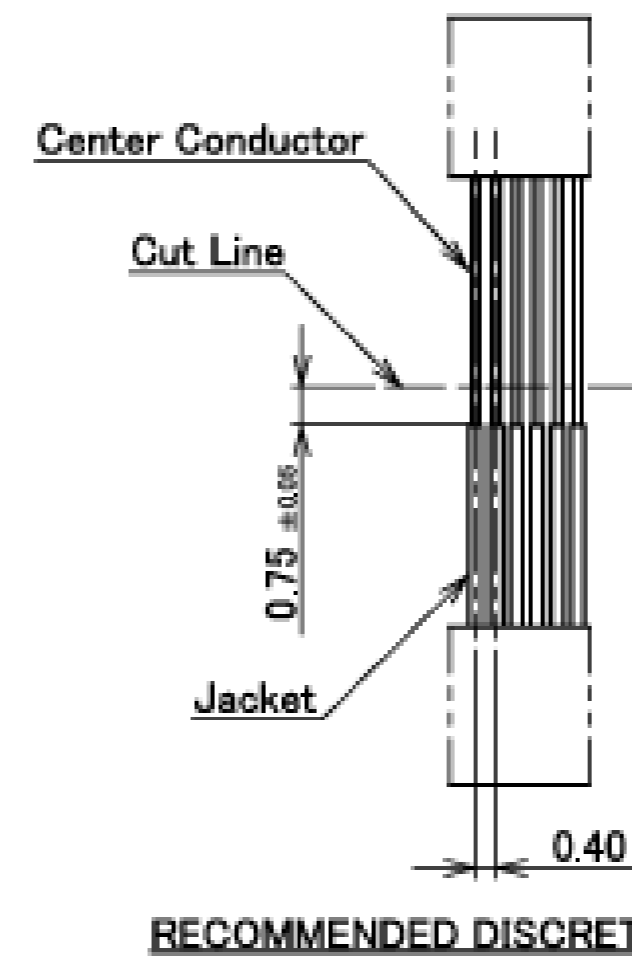


RECOMMENDED TWINAXIAL CABLE DIM.

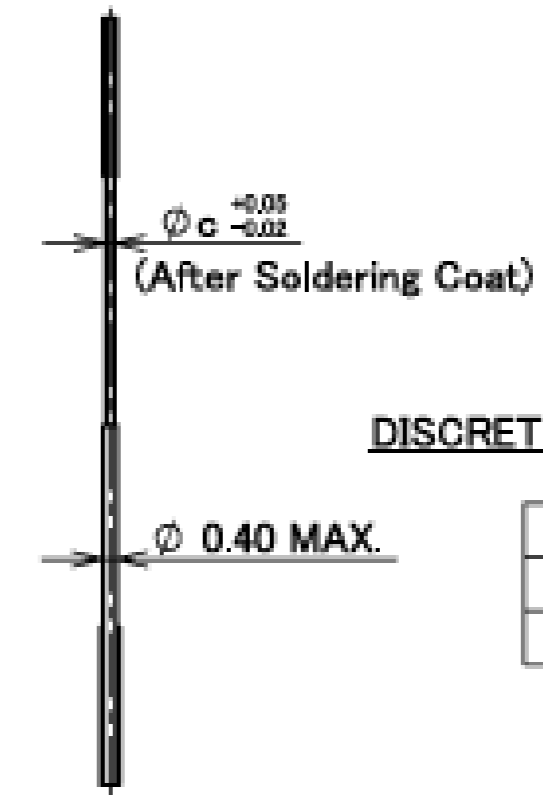


TWINAXIAL CABLE DIMENSION

	b
#40	0.09
#42	0.075



RECOMMENDED DISCRETE WIRE DIM.



DISCRETE WIRE
AWG #**

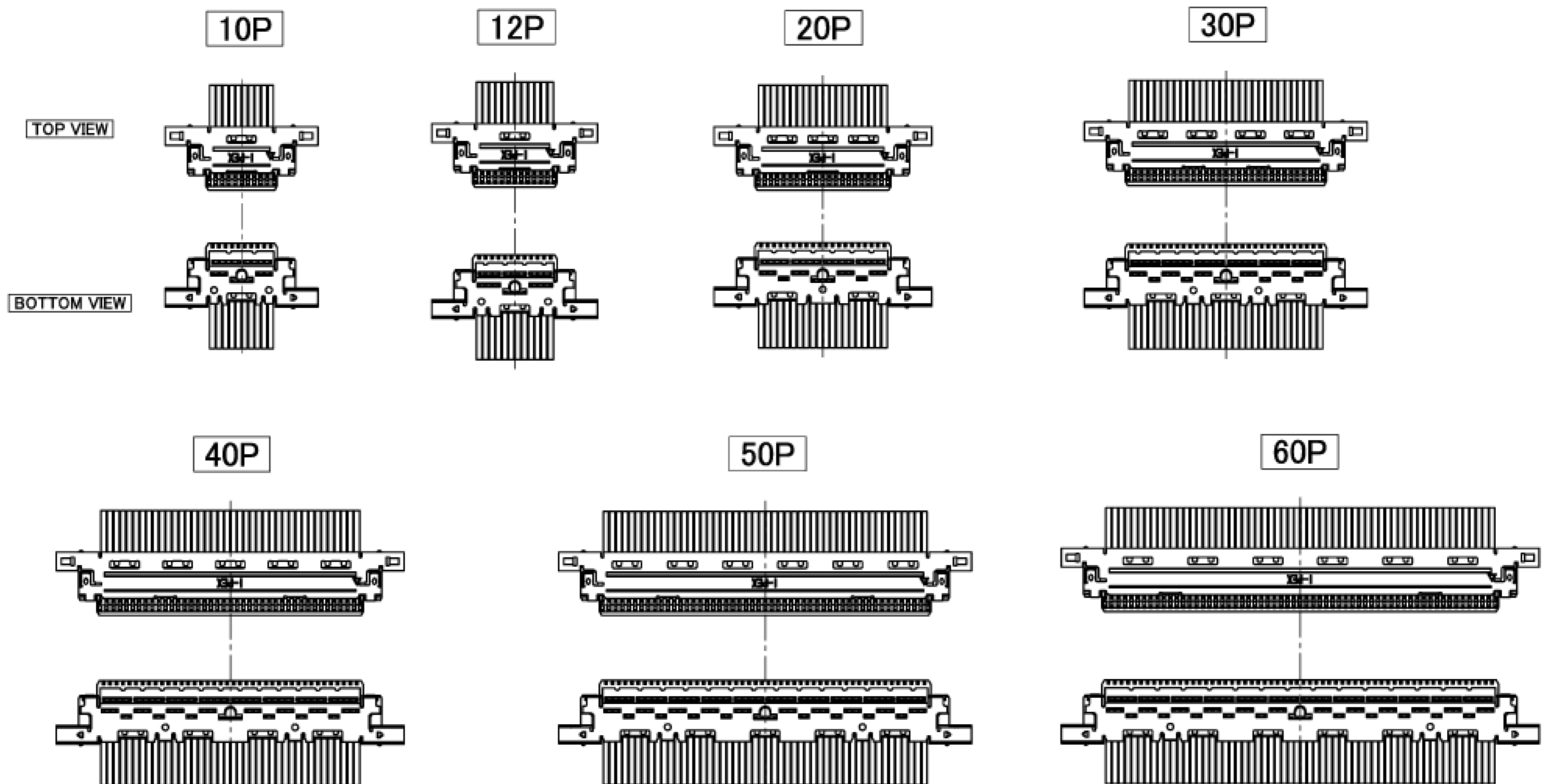
DISCRETE WIRE DIMENSION

	c
#34	0.192
#36	0.15

Rev.15

PART NO.
20633-#**T-0#S

THE EXTERNAL APPEARANCE



Rev.15

Plug for Cable Assembly

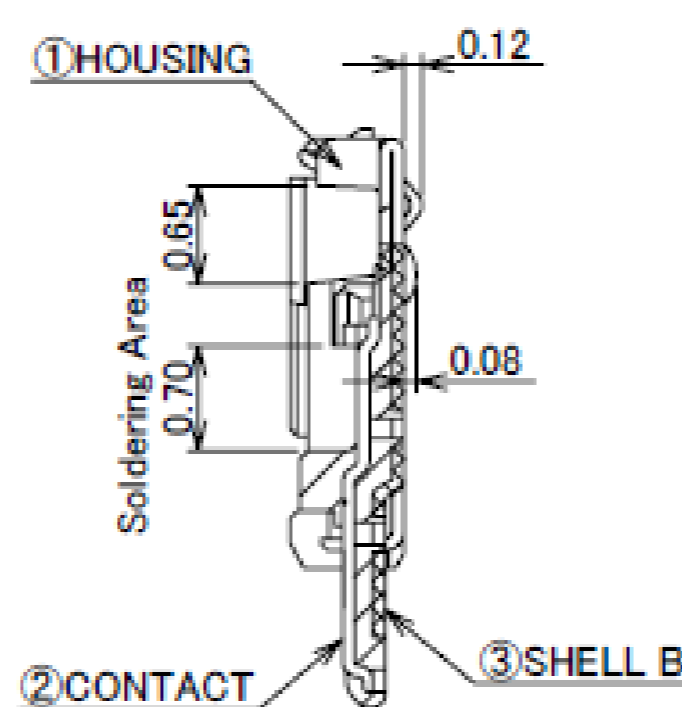
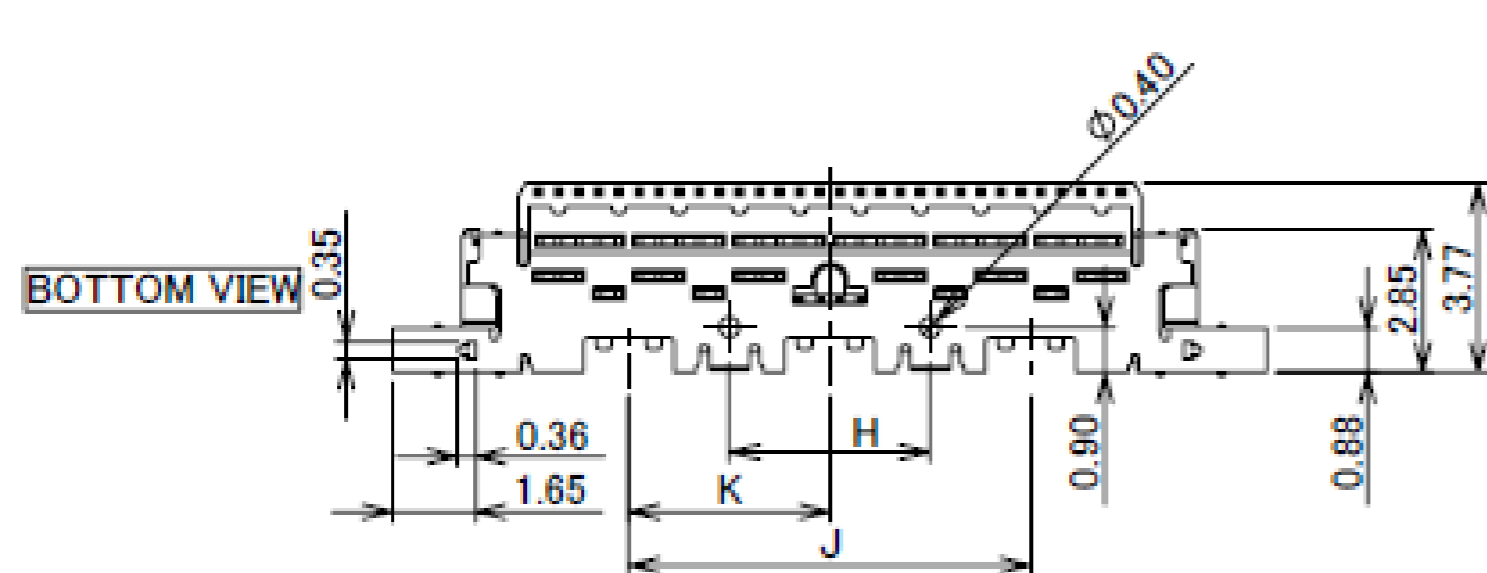
ITEMS	SPECIFICATION
APPLICABLE CABLE	MICRO-COAXIAL CABLE : AWG #44 , 42 , 40 , 38 , 36 DISCRETE WIRE : AWG #36, 34 TWINAXIAL CABLE : AWG #40 , 42
RATED VOLTAGE	100V AC (PER CONTACT PIN) ※THIS IS THE RATED VOLTAGE OF THE CONNECTOR. PLEASE NOTE THAT THE RATED VOLTAGE MAY VARY IN THE HARNESS DEPENDING ON THE CABLES USED.
RATED AMPERAGE (FOR CONTACT)	0.1A AC/DC [AWG #44] PER CONTACT PIN/UP TO 60 CONTACTS 0.24A AC/DC [AWG #42] PER CONTACT PIN/UP TO 50 CONTACTS 0.3A AC/DC [AWG #40] PER CONTACT PIN/UP TO 40 CONTACTS 0.5A AC/DC [AWG #38] PER CONTACT PIN/UP TO 14 CONTACTS 0.8A AC/DC [AWG #36] PER CONTACT PIN/UP TO 6 CONTACTS 1.0A AC/DC [AWG #34] PER CONTACT PIN/UP TO 4 CONTACTS TESTING BY A REAL MACHINE IS RECOMMENDED BECAUSE TEMPERATURE RISE MAY AFFECTED BY ACTUAL SITUATION.
OPERATING TEMPERATURE	233 TO 358K (-40°C TO 85°C)
OPERATING HUMIDITY	85% MAX.
CONTACT RESISTANCE	INITIAL : 180mohm MAX. (AWG #34) / AFTER TEST : \triangleleft40mohm MAX. 275mohm MAX. (AWG #36) 360mohm MAX. (AWG #38) 600mohm MAX. (AWG #40) 700mohm MAX. (AWG #42) 1080mohm MAX. (AWG #44)
GROUND SHELL RESISTANCE	INITIAL : 50mohm MAX. / AFTER TEST : \triangleleft40mohm MAX.
INSULATION RESISTANCE	INITIAL : 1000Mohm MIN. / AFTER TEST : 500Mohm MIN.
DIELECTRIC WITHSTANDING VOLTAGE	AC250V 1min
DURABILITY	30 CYCLES
MATING FORCE (INITIAL / AFTER 30 CYCLES)	10P : 7.80N MAX. 40P : 19.40N MAX. 12P : 8.20N MAX. 50P : 24.25N MAX. 20P : 9.70N MAX. 60P : 29.10N MAX. 30P : 14.55N MAX.
UNMATING FORCE (INITIAL / AFTER 30 CYCLES)	10P : 1.00N MIN. 40P : 4.00N MIN. 12P : 1.20N MIN. 50P : 5.00N MIN. 20P : 2.00N MIN. 60P : 6.00N MIN. 30P : 3.00N MIN.
CABLE RETENTION FORCE	10P : 4.90N MIN. 40P : 19.60N MIN. 12P : 5.88N MIN. 50P : 24.50N MIN. 20P : 9.80N MIN. 60P : 29.40N MIN. 30P : 14.70N MIN.
PRODUCT SPECIFICATION	PRS-1968
TEST REPORT	TR-14122 (20525-0**E-0##) / TR-16023 (20525-2**E-0##)
INSTRUCTION MANUAL	HIM-09008
ASSEMBLY MANUAL	ASM-09005
APPEARANCE CRITERIA No.	QLS-A***

Rev.15

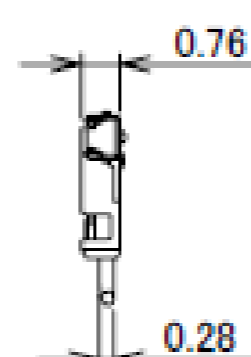
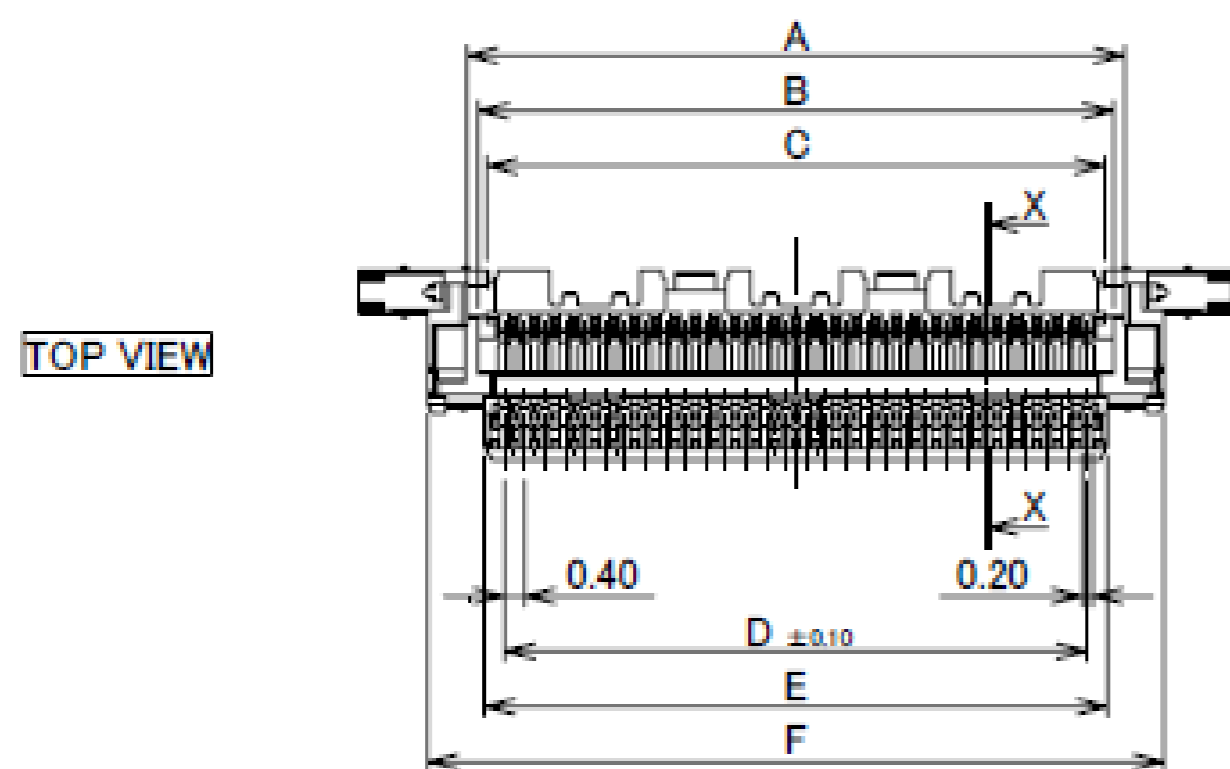
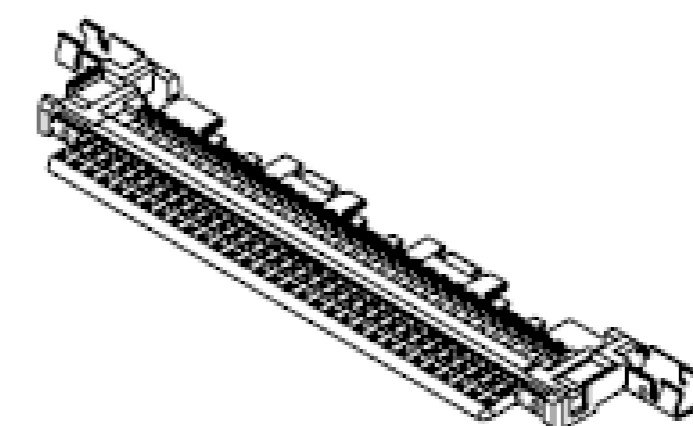
Plug Housing Assembly

Recommended P/N	20634-1**T-02(12~60P)	20634-210T-02(10P)
PART NO.	Pos.	A B C D E F G H J K
20634-#10T-02	10	5.10 4.65 4.30 3.60 4.40 6.66 9.40 3.40 - -
20634-#12T-02	12	5.90 5.45 5.10 4.40 5.20 7.46 10.20 4.10 - -
20634-#20T-02	20	9.10 8.65 8.30 7.60 8.40 10.66 13.40 - 5.00 -
20634-#30T-02	30	13.10 12.65 12.30 11.60 12.40 14.66 17.40 4.00 8.00 4.00
20634-#40T-02	40	17.10 16.65 16.30 15.60 16.40 18.66 21.40 8.00 12.00 4.00
20634-#50T-02	50	21.10 20.65 20.30 19.60 20.40 22.66 25.40 12.00 16.00 4.00
20634-#60T-02	60	25.10 24.65 24.30 23.60 24.40 26.66 29.40 16.00 20.00 4.00

P/N: 20634-#**T-02
POS.
SEE TABLE.1



SECT. X-X
(S=15/1)



NOTES
1. THIS PART IS ASSEMBLED WITH SHELL A(P/N 2764-0**1-00#)
AND PULL BAR(P/N 2766-0**1) AFTER SOLDERED THE CABLE,
AND IT BECOMES P/N 20633-#**T-0#S

TABLE.1

PART NO.	CONTACT FINISH	SHELL B FINISH
20634-1**T-02	CONTACT AREA Au 0.1 μm MIN. OVER Ni 1.00 μm MIN. SOLDERING AREA Au 0.05 μm MIN. OVER Ni 1.00 μm MIN.	TOP SIDE Ni 1.00 μm MIN.(THERE IS THE POSSIBILITY THAT Au ATTACHES RANDOMLY) BOTTOM SIDE Au 0.03 μm MIN. OVER Ni 1.00 μm MIN.
20634-2**T-02	CONTACT AREA Au 0.03 μm MIN. OVER Ni 1.00 μm MIN. SOLDERING AREA Au 0.03 μm MIN. OVER Ni 1.00 μm MIN.	PARTIAL Au 0.003 μm MIN. OVER Ni 1.00 μm MIN.

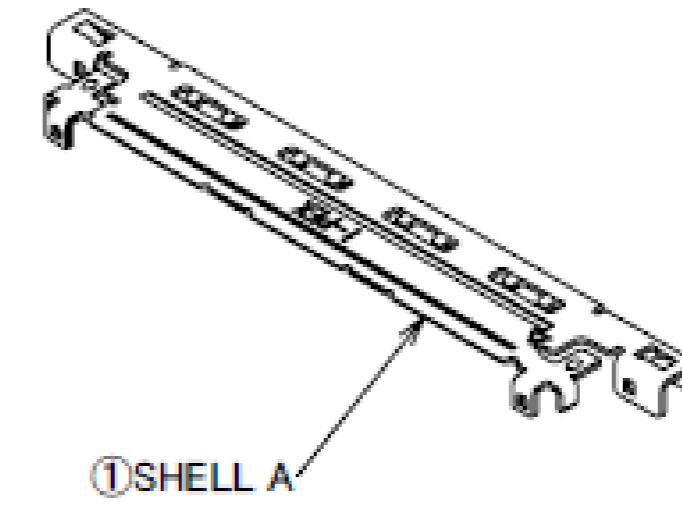
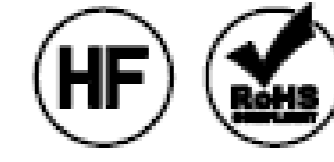
NO.	DISCRIPTION	MATERIAL	FINISH , REMARKS
3	SHELL-B	PHOSPHOR BRONZE	SEE ABOVE TABLE.1
2	CONTACT	PHOSPHOR BRONZE	SEE ABOVE TABLE.1
1	HOUSING	LCP	UL94V-0, BLACK

Rev.11

Plug Shell-A

Recommended P/N	2764-0**1-002(12~60P)				2764-0101-003(10P)	
PART NO.	A	B	C	D	E	
2764-0101-00#	9.40	3.88	6.66	-	-	
2764-0121-00#	10.20	4.68	7.46	-	-	
2764-0201-00#	13.40	7.88	10.66	2.50	5.00 [= 2.50 × (3 - 1)]	
2764-0301-00#	17.40	11.88	14.66	3.00	9.00 [= 3.00 × (4 - 1)]	
2764-0401-00#	21.40	15.88	18.66	3.25	13.00 [= 3.25 × (5 - 1)]	
2764-0501-00#	25.40	19.88	22.66	3.40	17.00 [= 3.40 × (6 - 1)]	
2764-0601-00#	29.40	23.88	26.66	4.00	20.00 [= 4.00 × (6 - 1)]	

P/N: 2764-0**1-00#
SEE TABLE.1
Pos.



① SHELL A

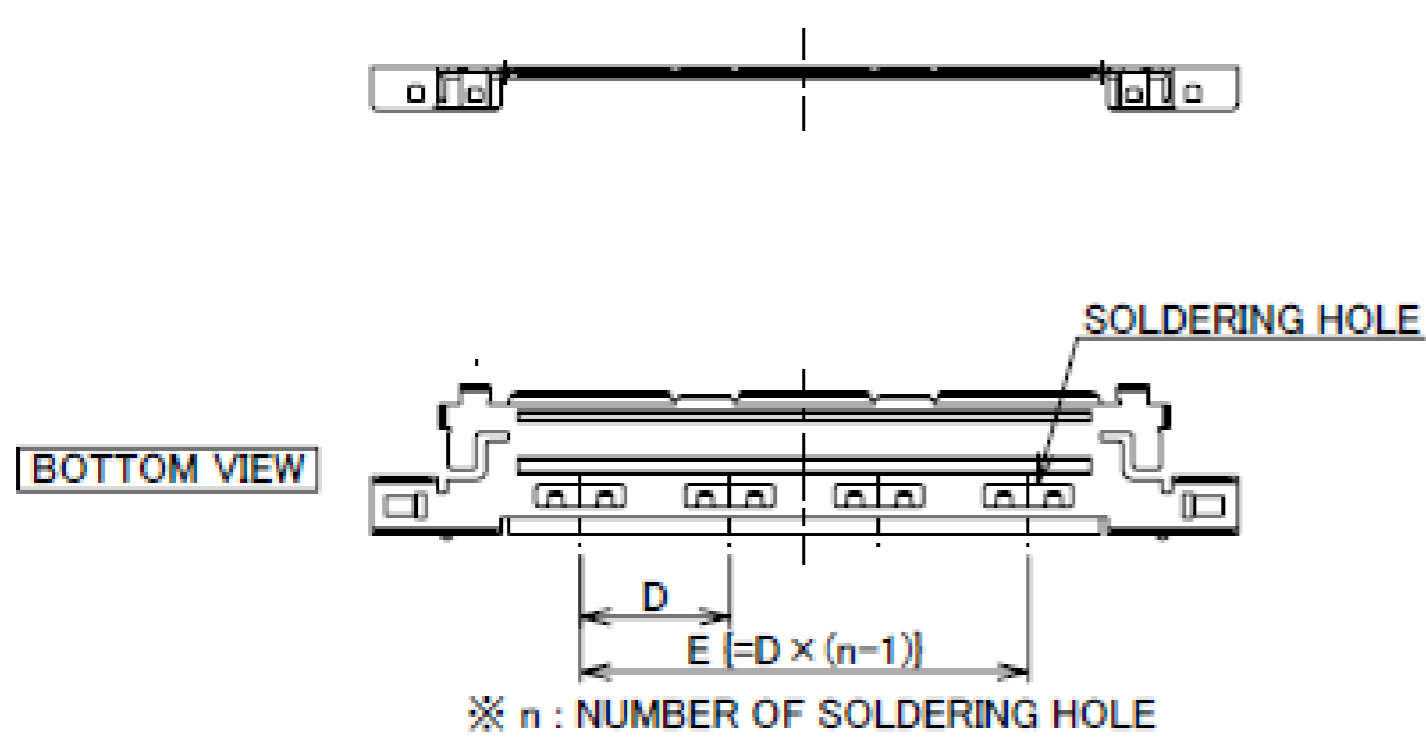
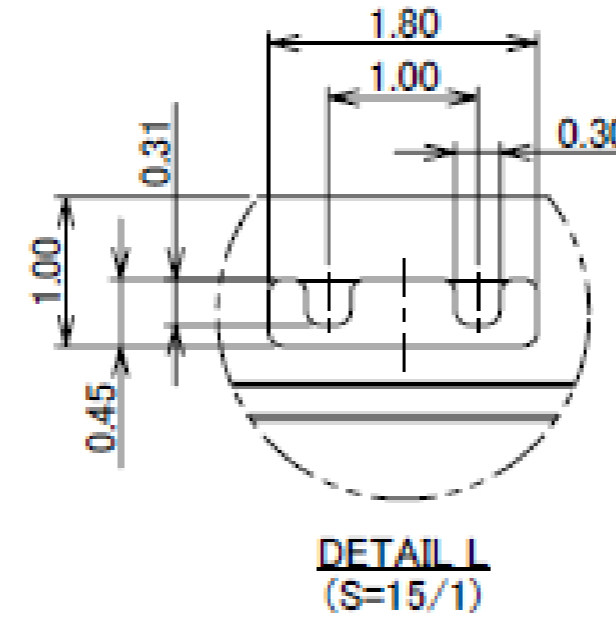
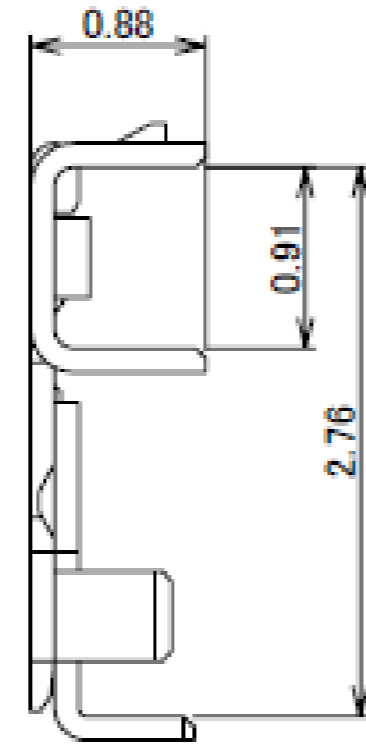
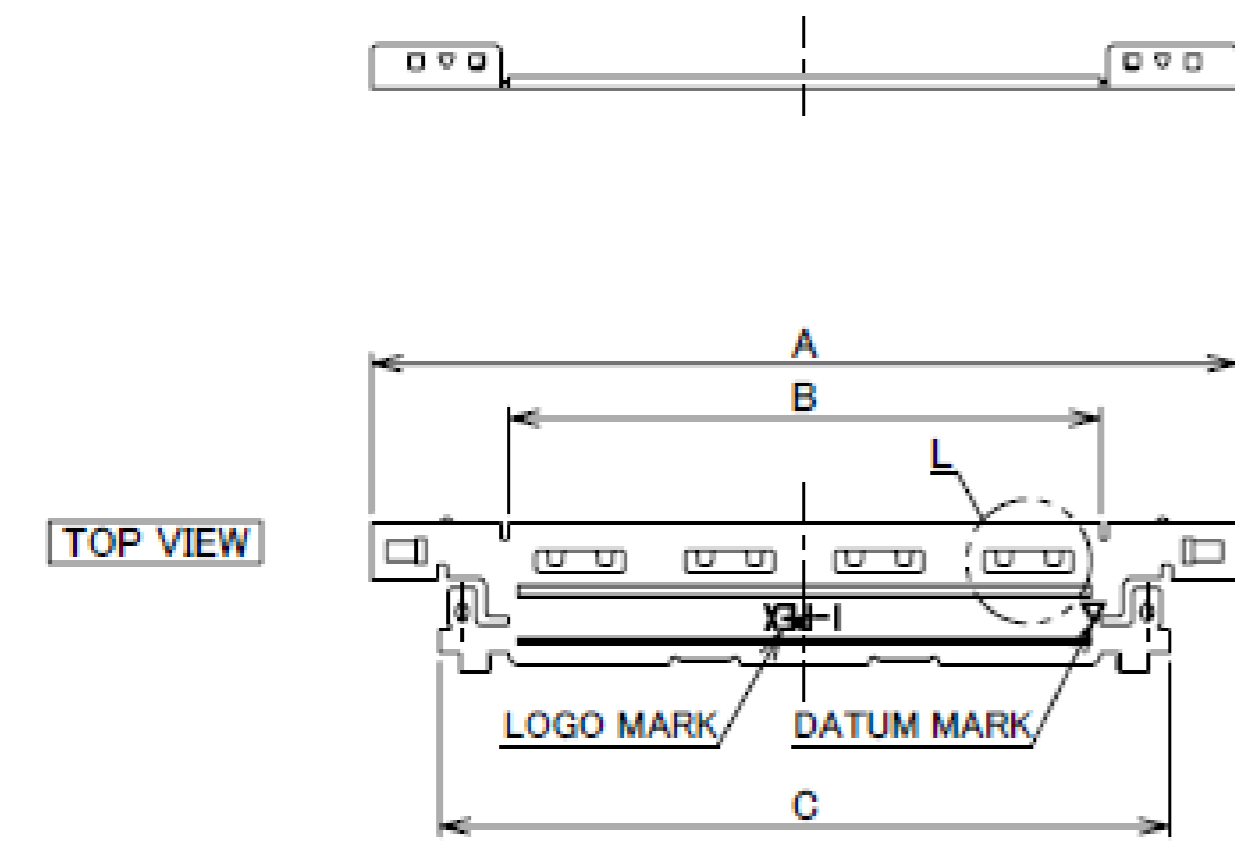


TABLE.1

PART NO.	SHELL A FINISH
2764-0**1-002	TOP SIDE Au 0.03 μm MIN. OVER Ni 1.00 μm MIN. BOTTOM SIDE Ni 1.00 μm MIN.(THERE IS THE POSSIBILITY THAT Au ATTACHES RANDOMLY)
2764-0**1-003	PARTIAL Au 0.003 μm MIN. OVER Ni 1.00 μm MIN.

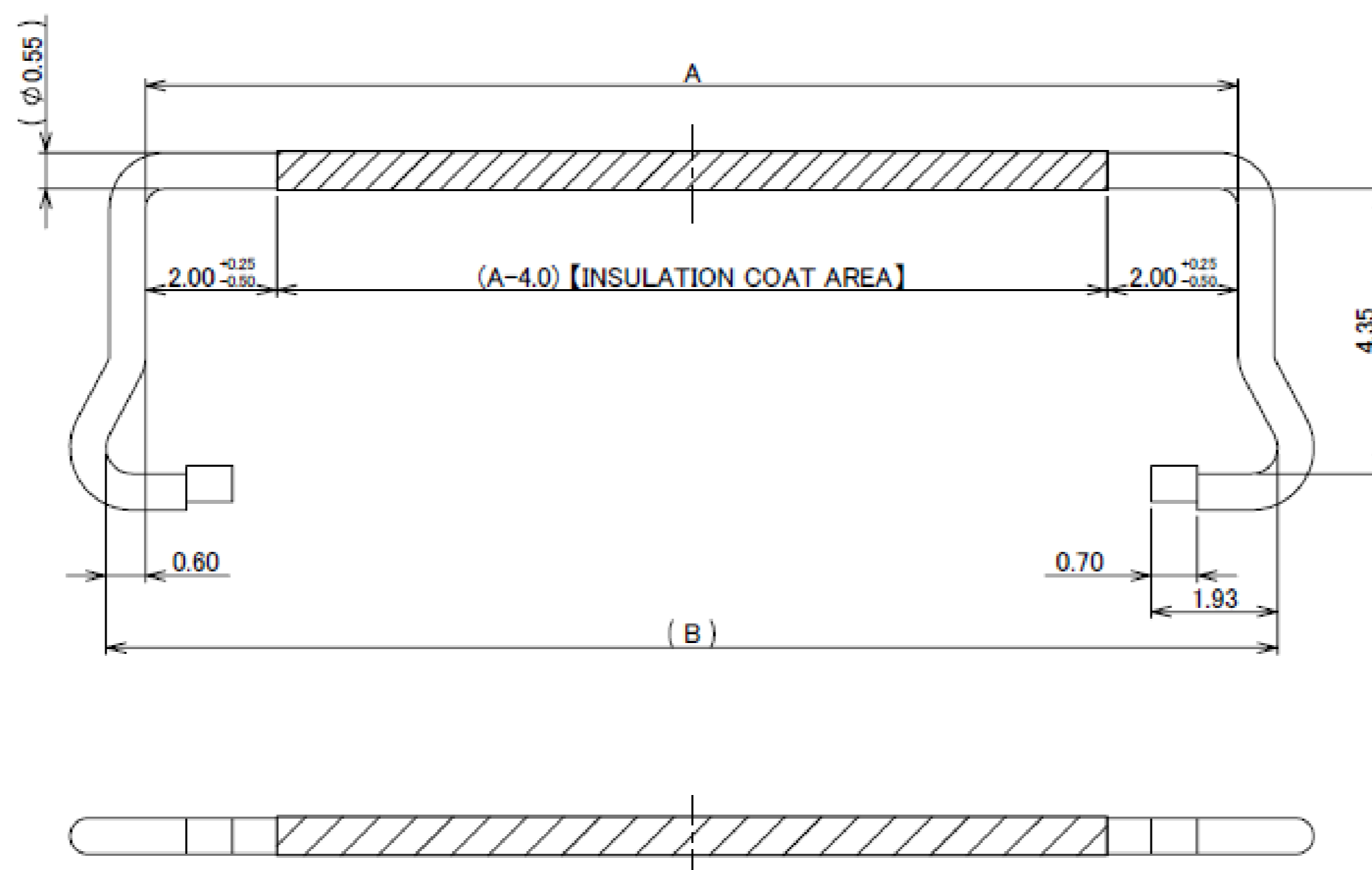
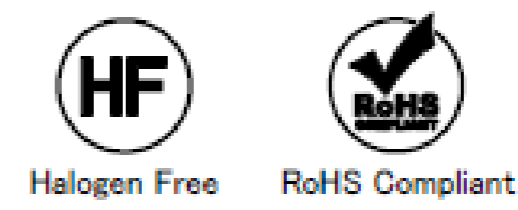
NO.	DISCRIPTION	MATERIAL	FINISH , REMARKS
1	SHELL A	PHOSPHOR BRONZE	SEE ABOVE TABLE.1

Rev.11

Plug Pull Bar

Recommended P/N	2766-0**1	
PART NO.	A	B
2766-0101	8.65	9.85
2766-0121	9.45	10.65
2766-0201	12.65	13.85
2766-0301	16.65	17.85
2766-0401	20.65	21.85
2766-0501	24.65	25.85
2766-0601	28.65	29.85

P/N: 2766-0**1
POS.



NO.	DISCRIPTION	MATERIAL	FINISH , REMARKS
1	PULL BAR	SUS	

Rev.15

Receptacle Assembly

Recommended P/N		20525-0**E-02(12~60P)					20525-210E-02(10P)						
PART NO.	POS.	A	B	C	D	F	PART NO.	POS.	A	B	C	D	F
20525-#10E-02	10	5.40	3.60	8.43	9.20	4.30	20525-210E-02	10	5.40	3.60	8.43	9.20	4.30
20525-#12E-02	12	6.20	4.40	9.23	10.00	5.10	20525-210E-02	12	6.20	4.40	9.23	10.00	5.10
20525-#20E-02	20	9.40	7.60	12.43	13.20	8.30	20525-210E-02	20	9.40	7.60	12.43	13.20	8.30
20525-#30E-02	30	13.40	11.60	16.43	17.20	12.30	20525-210E-02	30	13.40	11.60	16.43	17.20	12.30
20525-#40E-02	40	17.40	15.60	20.43	21.20	16.30	20525-210E-02	40	17.40	15.60	20.43	21.20	16.30
20525-#50E-02	50	21.40	19.60	24.43	25.20	20.30	20525-210E-02	50	21.40	19.60	24.43	25.20	20.30
20525-#60E-02	60	25.40	23.60	28.43	29.20	24.30	20525-210E-02	60	25.40	23.60	28.43	29.20	24.30

PATENT REGISTERED



Halogen Free RoHS Compliant

P/N : 20525-#**E-02
POS. SEE TABLE 1

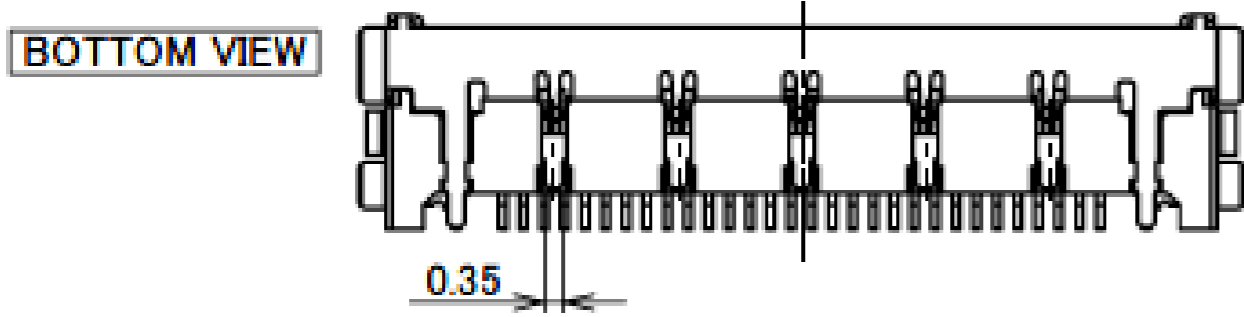
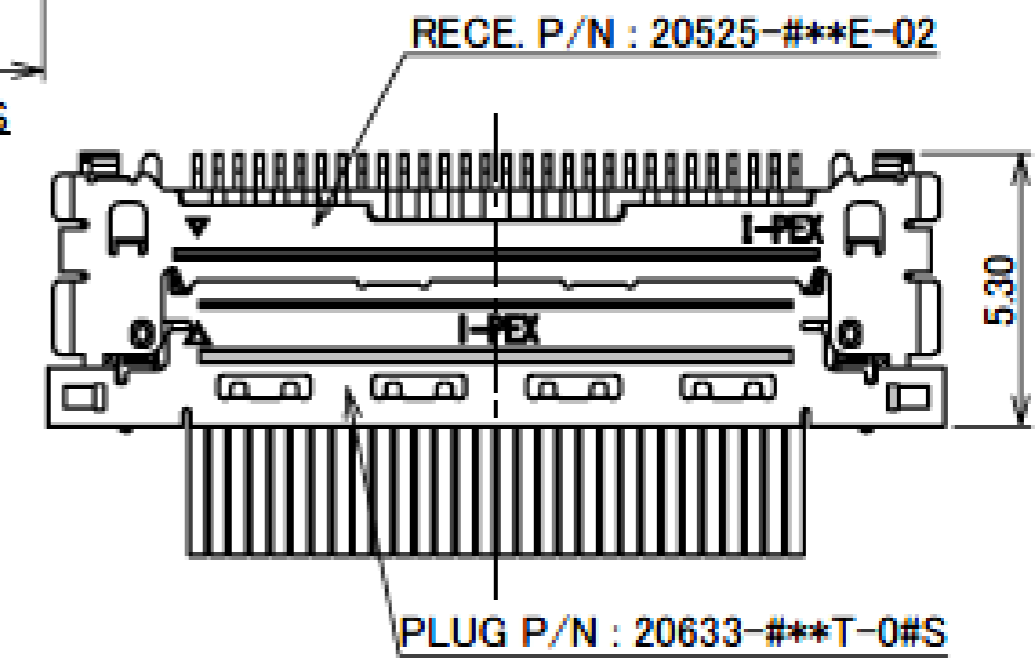
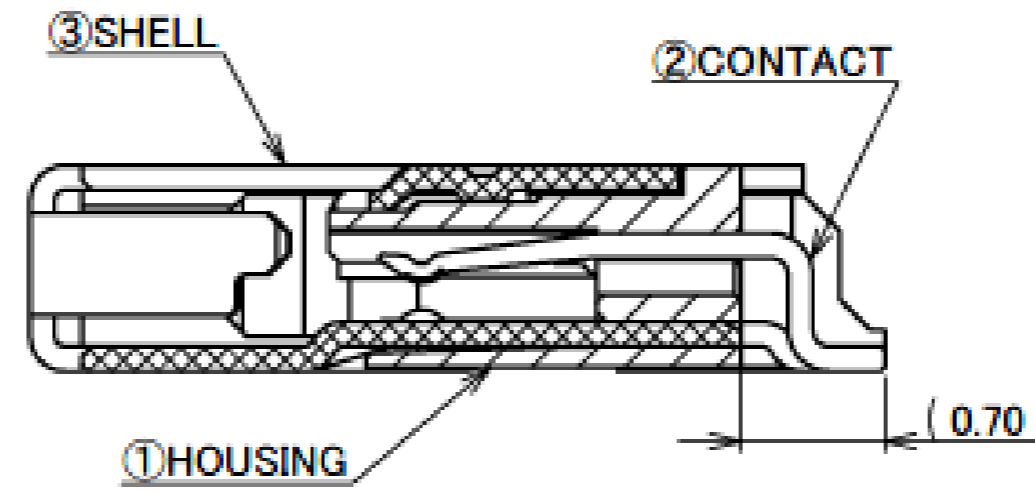
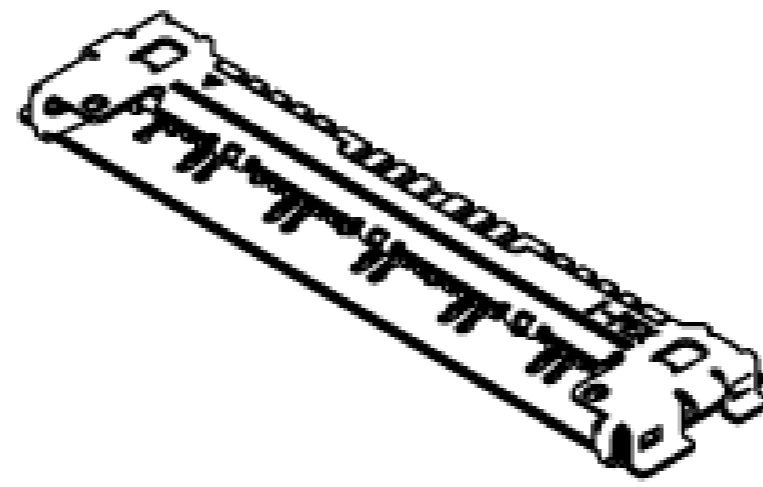
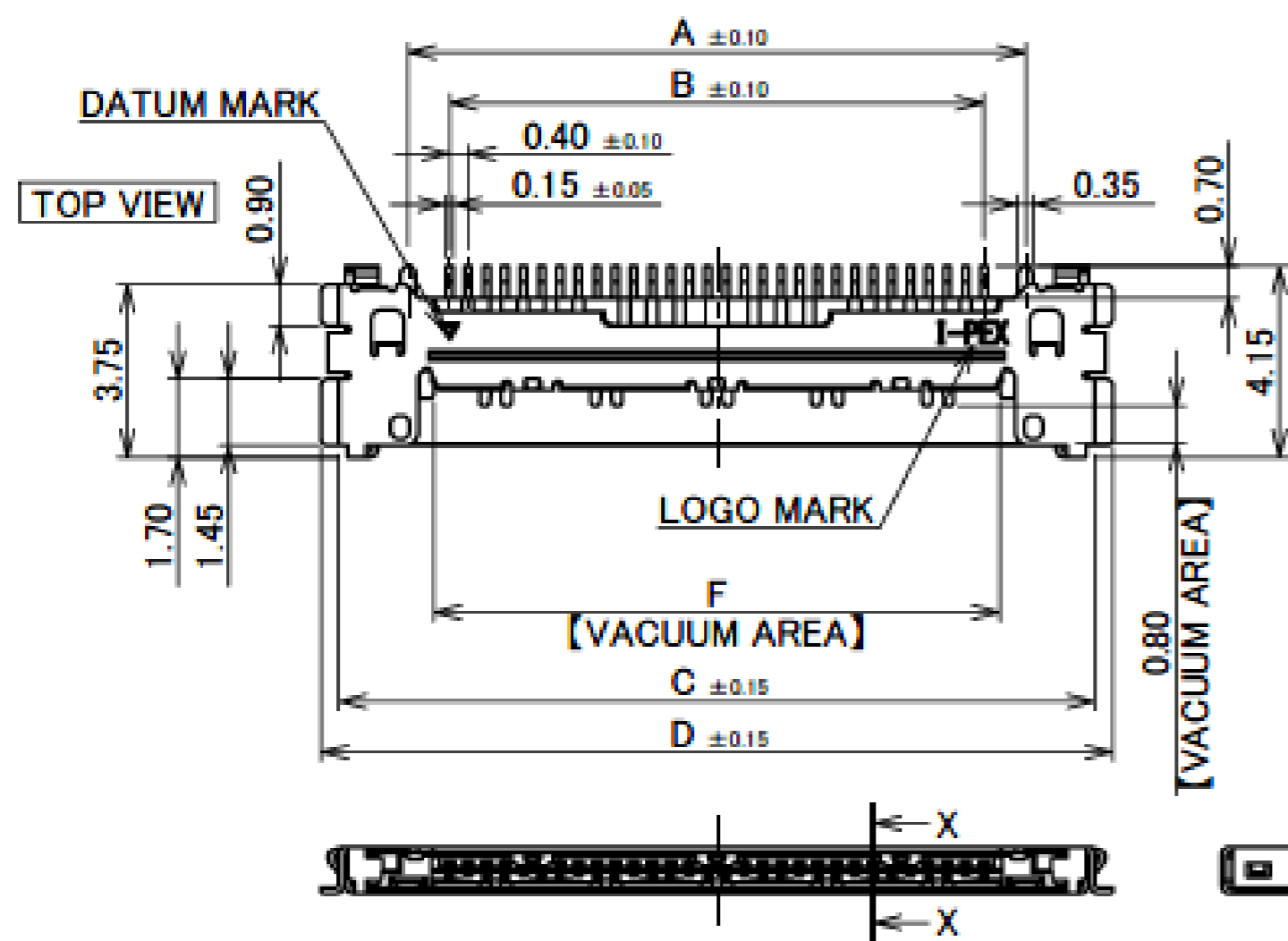
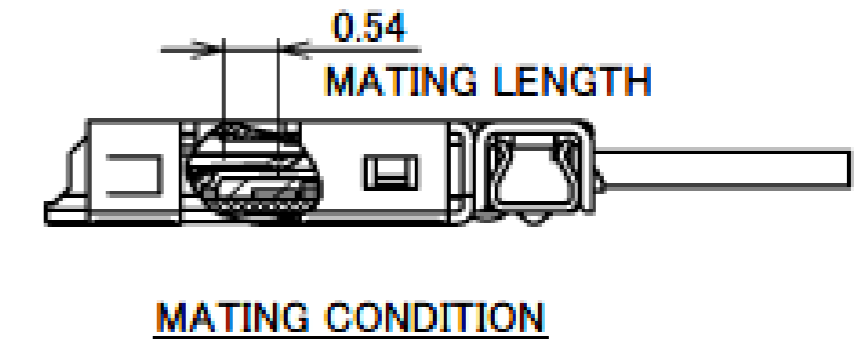


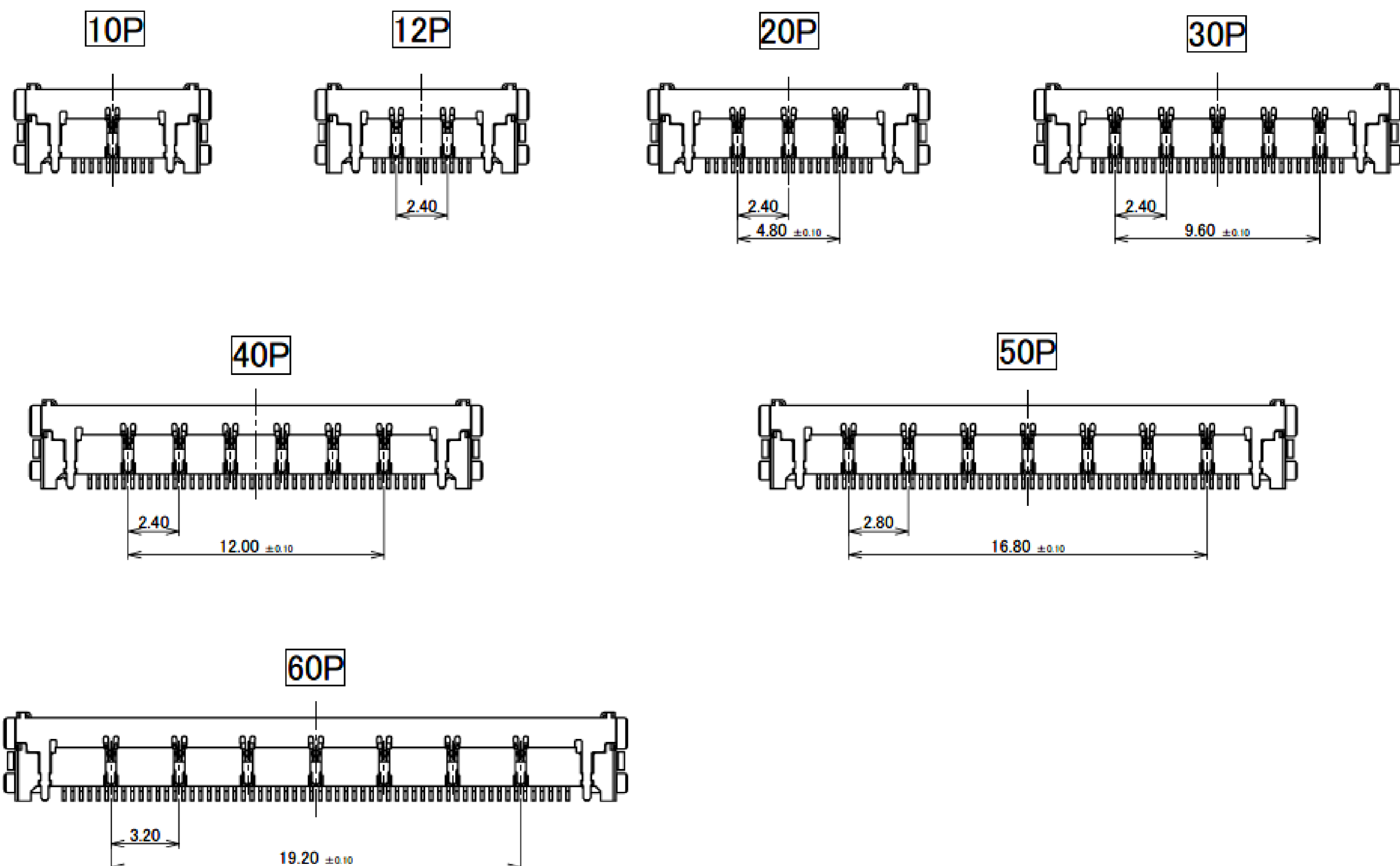
TABLE 1

PART NO.	CONTACT FINISH	SHELL FINISH
20525-0**E-02	CONTACT AREA : Au 0.1 μm MIN. OVER Ni 1.00 μm MIN. SOLDERING AREA : Au 0.03 μm MIN. OVER Ni 1.00 μm MIN.	ALL OVER Au 0.02 μm MIN. OVER Ni 1.00 μm MIN. CONTACT AREA : Au 0.02 μm MIN. OVER Ni 0.80 μm MIN.
20525-2**E-02	CONTACT AREA : Au 0.03 μm MIN. OVER Ni 1.00 μm MIN. SOLDERING AREA : Au 0.03 μm MIN. OVER Ni 1.00 μm MIN.	ALL OVER Ni 1.00 μm MIN. SOLDERING AREA : Au 0.02 μm MIN.

NO.	DISCRIPTION	MATERIAL	FINISH, REMARKS
3	SHELL	PHOSPHOR BRONZE	SEE TABLE 1
2	CONTACT	PHOSPHOR BRONZE	SEE TABLE 1
1	HOUSING	LCP	UL94V-0, BLACK

PART NO.
20525-#**E-02

BOTTOM VIEW



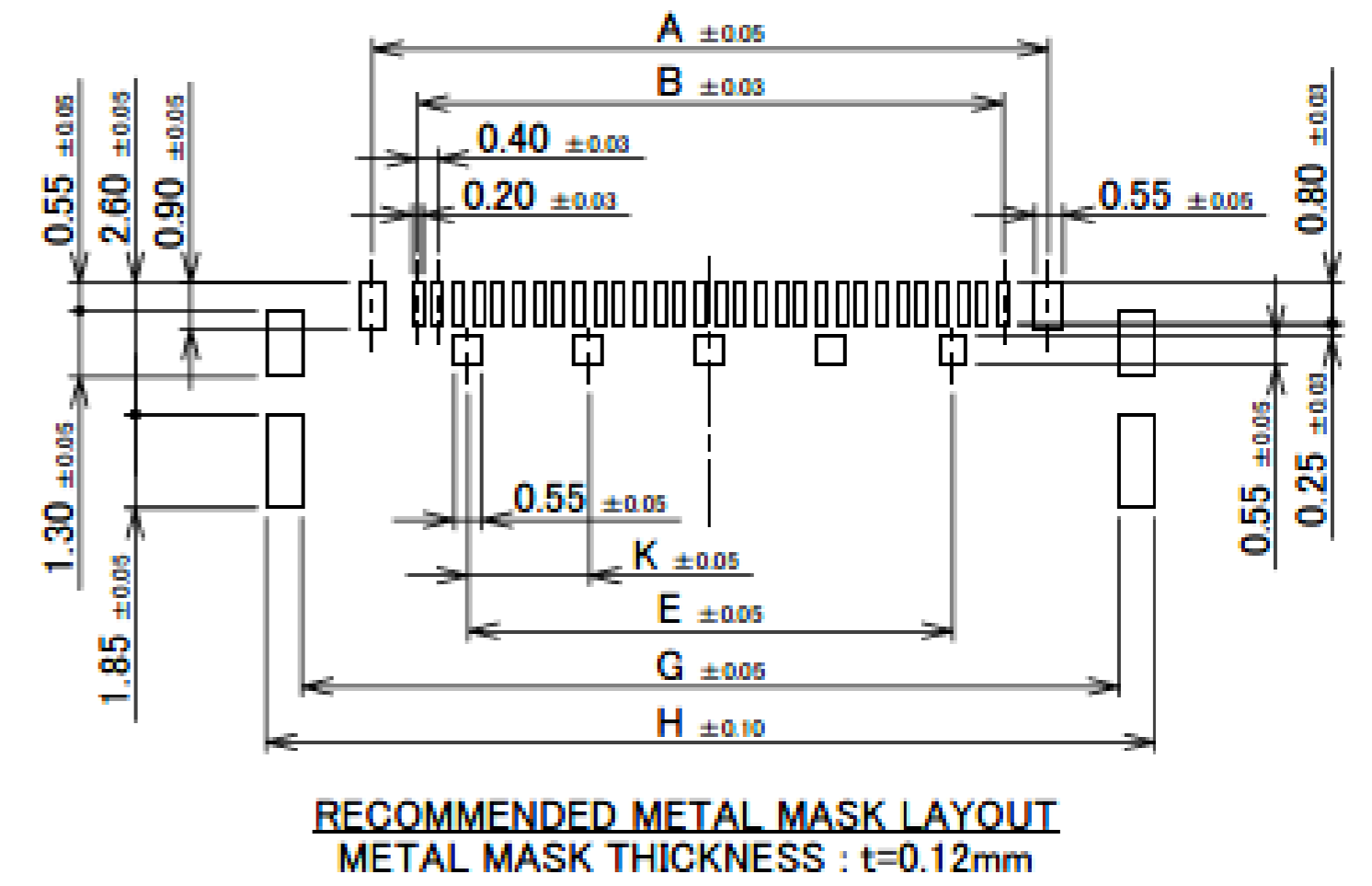
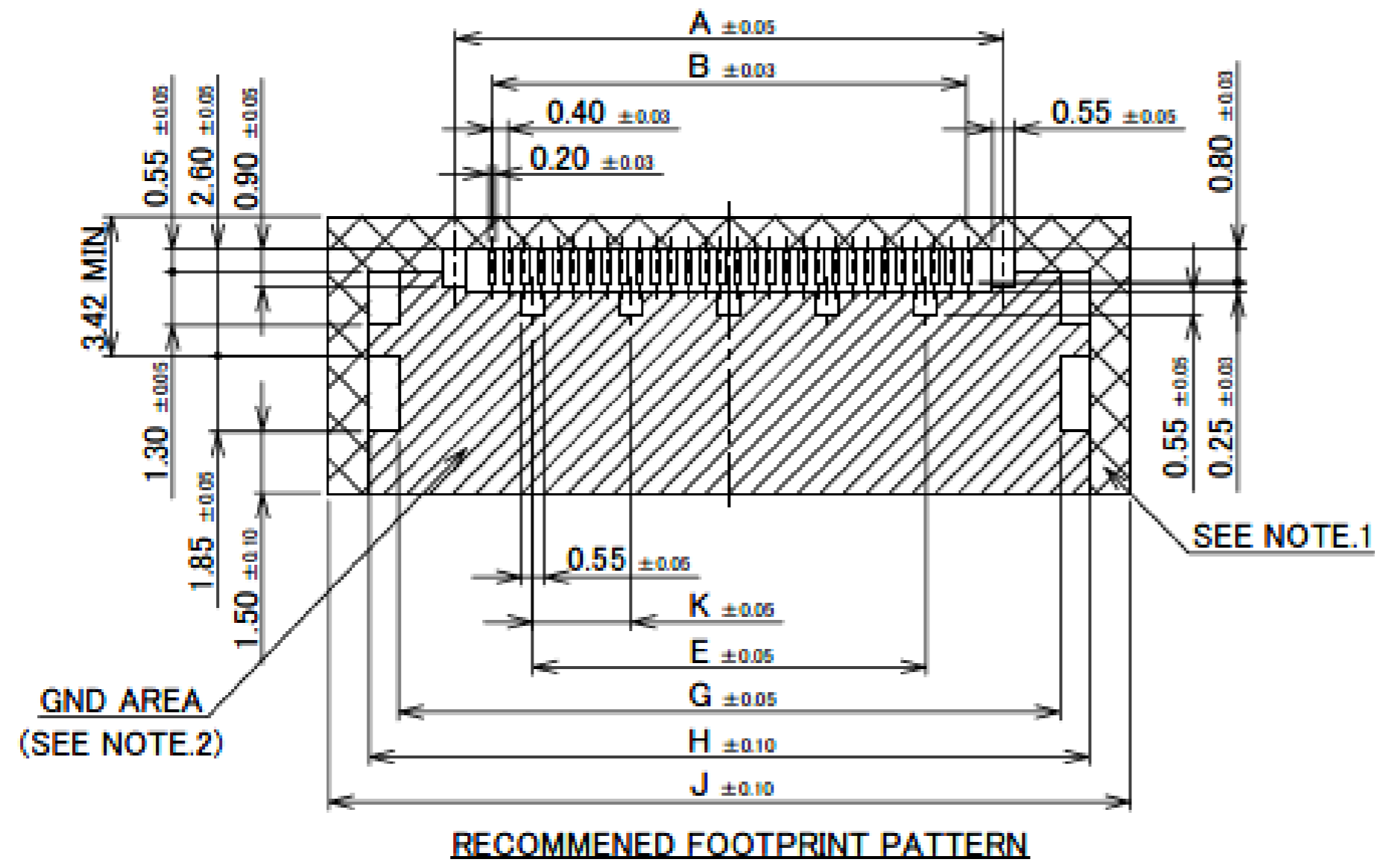
Rev.33

Rev.33

Receptacle Assembly

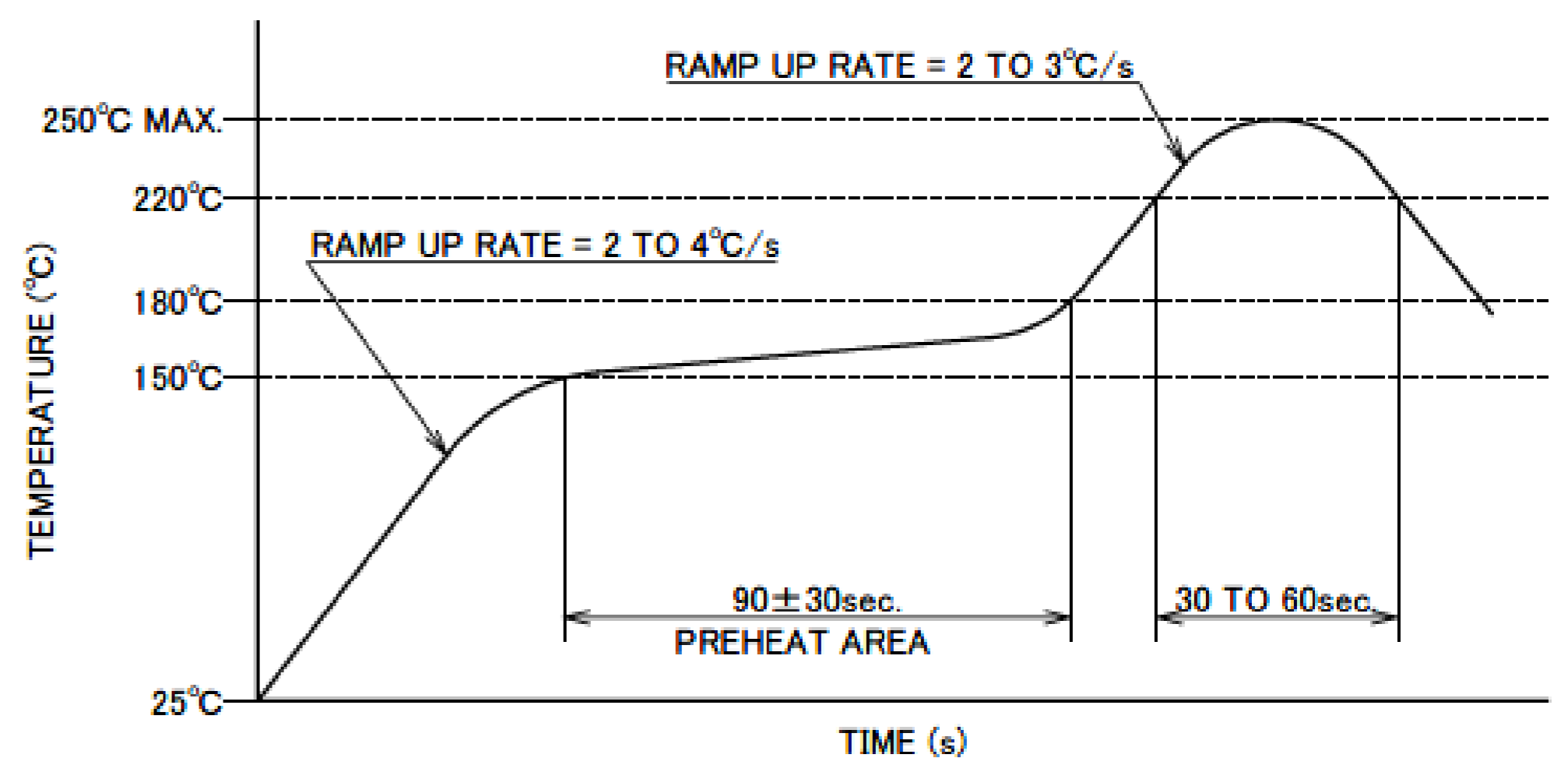
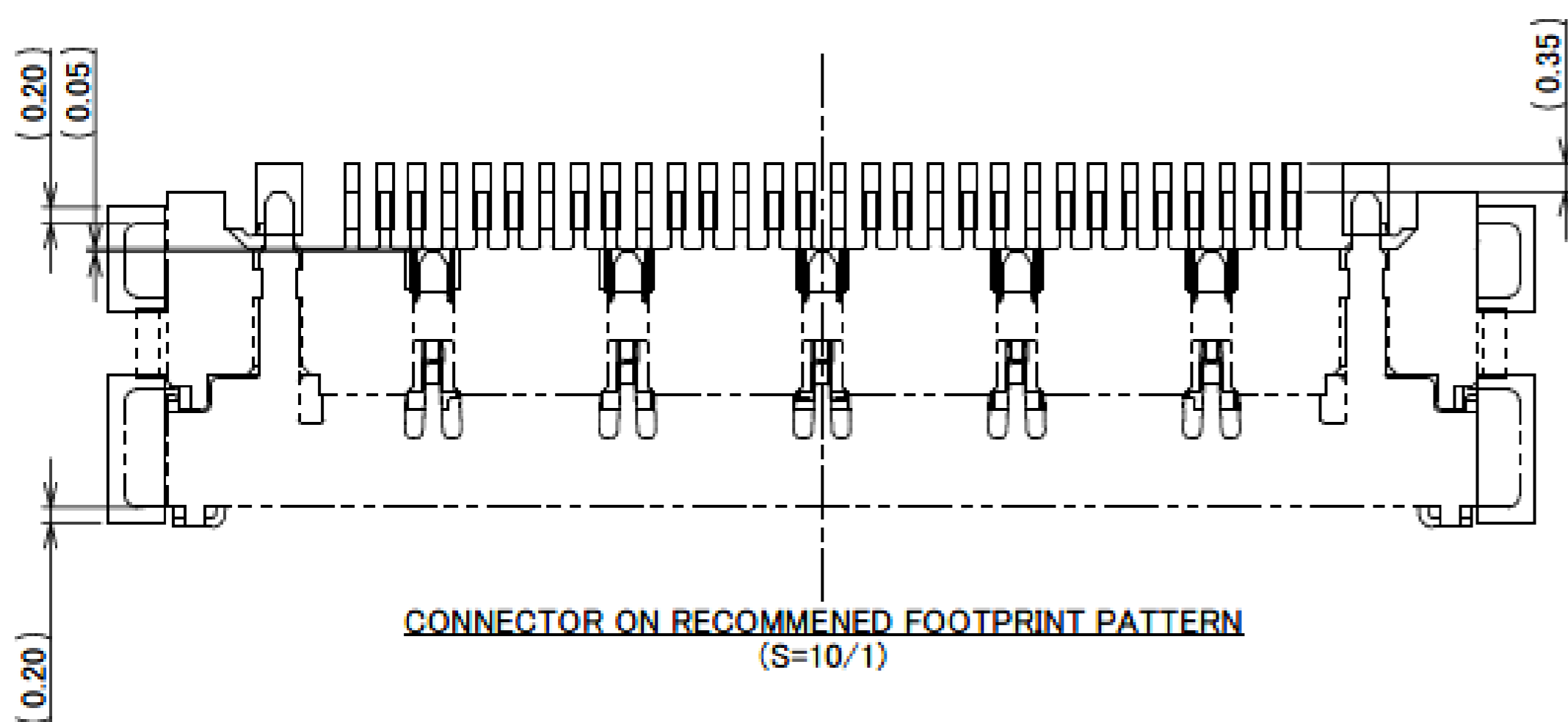
PART NO.	POS.	A	B	E	G	H	J	K
20525-#10E-02	10	5.40	3.60	-	8.18	9.60	11.60	-
20525-#12E-02	12	6.20	4.40	2.40	8.98	10.40	12.40	-
20525-#20E-02	20	9.40	7.60	4.80	12.18	13.60	15.60	2.40
20525-#30E-02	30	13.40	11.60	9.60	16.18	17.60	19.60	2.40
20525-#40E-02	40	17.40	15.60	12.00	20.18	21.60	23.60	2.40
20525-#50E-02	50	21.40	19.60	16.80	24.18	25.60	27.60	2.80
20525-#60E-02	60	25.40	23.60	19.20	28.18	29.60	31.60	3.20

PATENT REGISTERED



- NOTES.
 1. IN CASE OF PLUG WITH PULL BAR(20633-#**T-01S), DO NOT MOUNT ANOTHER COMPONENT IN THIS AREA.
 2. SOLDER RESIST MUST BE APPLIED TO THIS AREA.

Rev.33



SENJU METAL INDUSTRY CO., LTD. : M705-SHF(Sn96.5 Ag3.0 Cu0.5)

Rev.33

Receptacle Assembly

FOR CABLINE-CA PLUG CABLE ASSEMBLY (DWG NO. 20633)

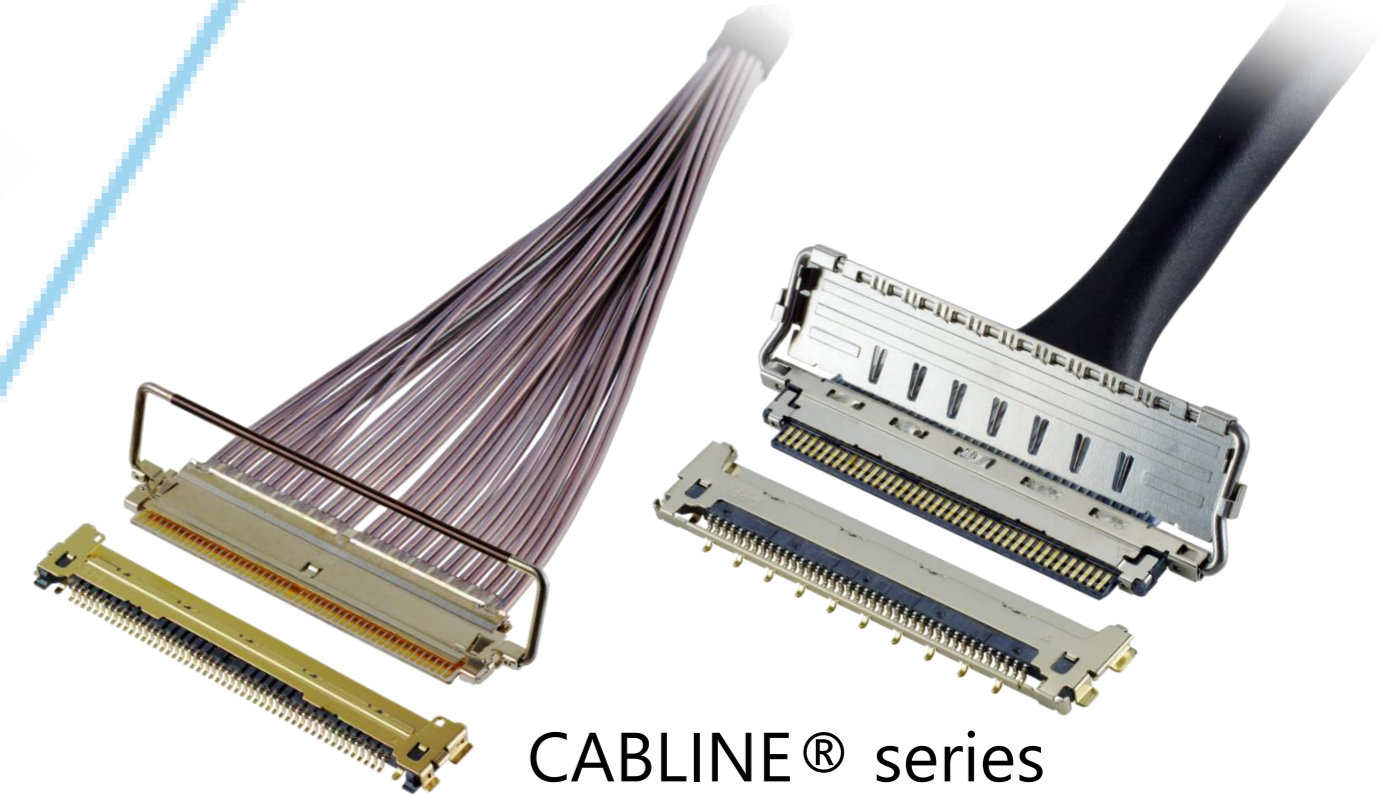
ITEMS	SPECIFICATION
APPLICABLE CABLE	MICRO-COAXIAL CABLE : AWG #44 , 42 , 40 , 38 , 36 DISCRETE WIRE : AWG #36 , 34 TWINAXIAL CABLE : AWG #40 , 42
RATED VOLTAGE	100V AC (PER CONTACT PIN) ※THIS IS THE RATED VOLTAGE OF THE CONNECTOR. PLEASE NOTE THAT THE RATED VOLTAGE MAY VARY IN THE HARNESS DEPENDING ON THE CABLES USED.
RATED AMPERAGE (FOR CONTACT)	0.1A AC/DC [AWG #44] PER CONTACT PIN/UP TO 60 CONTACTS 0.24A AC/DC [AWG #42] PER CONTACT PIN/UP TO 50 CONTACTS 0.3A AC/DC [AWG #40] PER CONTACT PIN/UP TO 40 CONTACTS 0.5A AC/DC [AWG #38] PER CONTACT PIN/UP TO 14 CONTACTS 0.8A AC/DC [AWG #36] PER CONTACT PIN/UP TO 6 CONTACTS 1.0A AC/DC [AWG #34] PER CONTACT PIN/UP TO 4 CONTACTS ※TESTING BY A REAL MACHINE IS RECOMMENDED BECAUSE TEMPERATURE RISE MAY AFFECTED BY ACTUAL SITUATION.
OPERATING TEMPERATURE	233 TO 358K (-40°C TO 85°C)
OPERATING HUMIDITY	85% MAX.
CONTACT RESISTANCE	INITIAL : 180mohm MAX. (AWG #34) / AFTER TEST : \triangleleft40mohm MAX. 275mohm MAX. (AWG #36) 360mohm MAX. (AWG #38) 600mohm MAX. (AWG #40) 700mohm MAX. (AWG #42) 1080mohm MAX. (AWG #44)
GROUND SHELL RESISTANCE	INITIAL : 50mohm MAX. / AFTER TEST : \triangleleft40mohm MAX.
INSULATION RESISTANCE	INITIAL : 1000Mohm MIN. / AFTER TEST : 500Mohm MIN.
DIELECTRIC WITHSTANDING VOLTAGE	AC250V 1min
DURABILITY	30 CYCLES
MATING FORCE (INITIAL / AFTER 30 CYCLES)	10P : 7.80N MAX. 40P : 19.40N MAX. 12P : 8.20N MAX. 50P : 24.25N MAX. 20P : 9.70N MAX. 60P : 29.10N MAX. 30P : 14.55N MAX.
UNMATING FORCE (INITIAL / AFTER 30 CYCLES)	10P : 1.00N MIN. 40P : 4.00N MIN. 12P : 1.20N MIN. 50P : 5.00N MIN. 20P : 2.00N MIN. 60P : 6.00N MIN. 30P : 3.00N MIN.
CABLE RETENTION FORCE	10P : 4.90N MIN. 40P : 19.60N MIN. 12P : 5.88N MIN. 50P : 24.50N MIN. 20P : 9.80N MIN. 60P : 29.40N MIN. 30P : 14.70N MIN.
COPLANARITY	0.10 MAX.
PRODUCT SPECIFICATION	PRS-1968
TEST REPORT	TR-14122 (20525-0**E-0#) / TR-16023 (20525-2**E-0#)
PACKING STANDARD	300-824
INSTRUCTION MANUAL	HIM-09008
APPEARANCE CRITERIA No.	QLS-A**

Rev.33

Custom Connectors Available

RF Connectors

MHF® series



CABLINE® series

Micro-Coaxial/Twinaxial Connectors



Wire-to-Board Connectors/Terminals

AP series

ISH® series



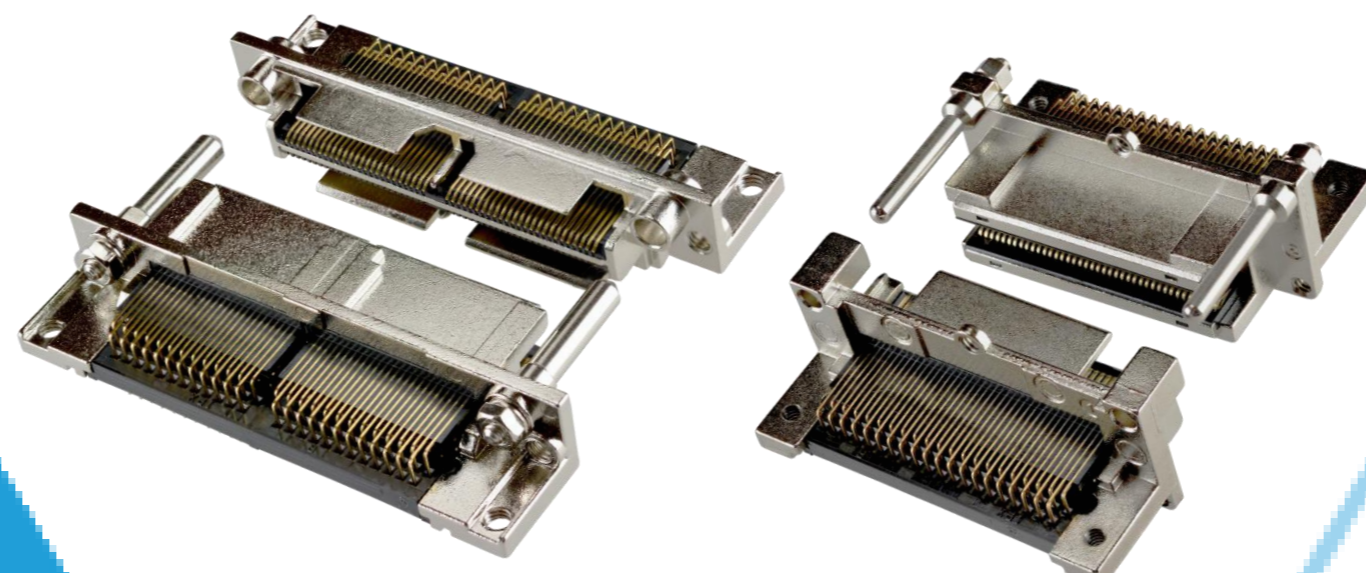
NOVASTACK® series



Board-to-Board Connectors



I/O Connectors



MINIDOCK™ series

MINIFLEX® series EVAFLEX® series



FPC/FFC Connectors



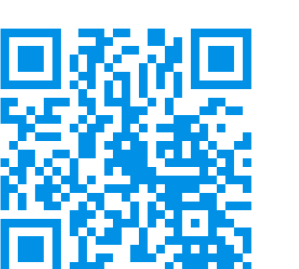
Inquiry



I-PEX, MHF, CABLINE, NOVASTACK, ISH, IARPB, MINIFLEX, EVAFLEX, MINIDOCK, i-Fit and ZenShield are registered trademarks of I-PEX Inc. Please note that the contents in the catalog might be changed without prior notification. I-PEX Inc. assumes no responsibility for any inaccuracies or obligation to update information on these documents. Please be sure to read and understand the latest "Precautions for Use" and "Instruction Manual" before you use our products. We shall not be responsible for any defects, damages or troubles in case you use our products without following the precautions for use. Please feel free to contact our sales representatives when you use our products for any applications that require very high reliability and safety, or that relate to human life (ex. nuclear power control, aerospace, transportation, medical equipment, safety equipment etc.).

Contact your sales representative or more detailed information.

www.i-pex.com



I-PEX

© I-PEX Inc. 2026
All rights reserved